



US00D844104S

(12) **United States Design Patent**
Birmelin

(10) **Patent No.:** **US D844,104 S**

(45) **Date of Patent:** **** Mar. 26, 2019**

(54) **FAUCET STREAM STRAIGHTENER**

(71) Applicant: **NEOPERL GMBH**, Mullheim (DE)

(72) Inventor: **David Birmelin**, Mullheim (DE)

(73) Assignee: **Neoperl GmbH**, Müllheim (DE)

(**) Term: **15 Years**

(21) Appl. No.: **35/502,874**

(22) Filed: **Mar. 10, 2017**

(80) **Hague Agreement Data**

Int. Filing Date: **Mar. 10, 2017**

Int. Reg. No.: **DM/095639**

Int. Reg. Date: **Mar. 10, 2017**

Int. Reg. Pub. Date: **Apr. 28, 2017**

(51) **LOC (11) Cl.** **23-01**

(52) **U.S. Cl.**
USPC **D23/213**

(58) **Field of Classification Search**
USPC D23/213, 229, 233, 235, 247-249, 264
CPC B05B 7/0425; E03C 1/08; E03C 1/084;
E03C 1/086; E03C 2001/026

See application file for complete search history.

(56) **References Cited**

U.S. PATENT DOCUMENTS

D192,906 S *	5/1962	Gross	D23/213
D733,255 S *	6/2015	Blum	D23/213
D752,710 S *	3/2016	Tempel	D23/213
D776,240 S *	1/2017	Huang	D23/213
D776,242 S *	1/2017	Blum	D23/213
D788,264 S *	5/2017	Stein	D23/213

* cited by examiner

Primary Examiner — Keli L Hill

(74) *Attorney, Agent, or Firm* — Volpe and Koenig, P.C.

(57) **CLAIM**

The ornamental design for a faucet stream straightener, as shown and described.

DESCRIPTION

1. Faucet stream straightener

1.1 : Top

1.2 : Bottom

1.3 : Perspective

1.4 : Perspective

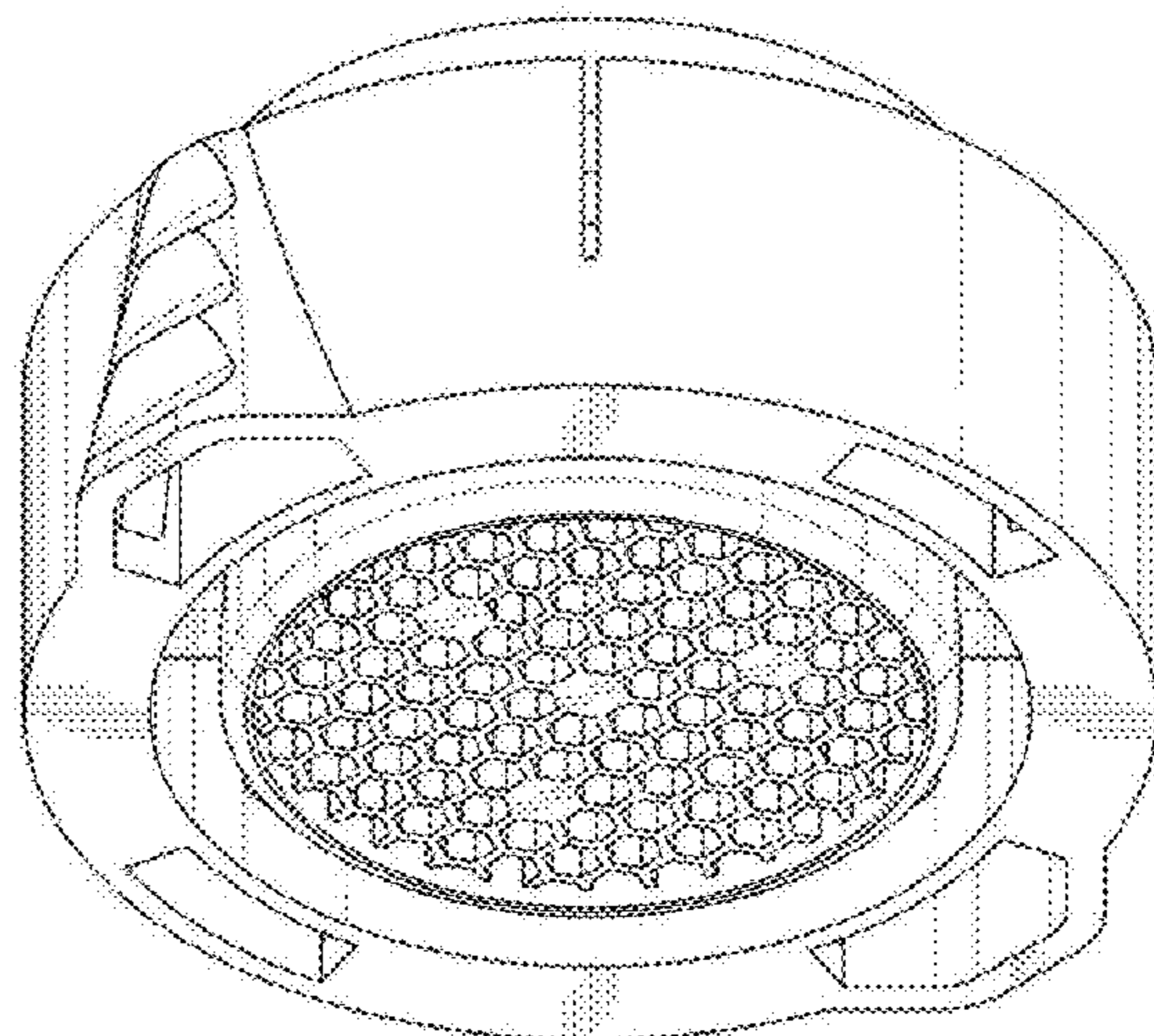
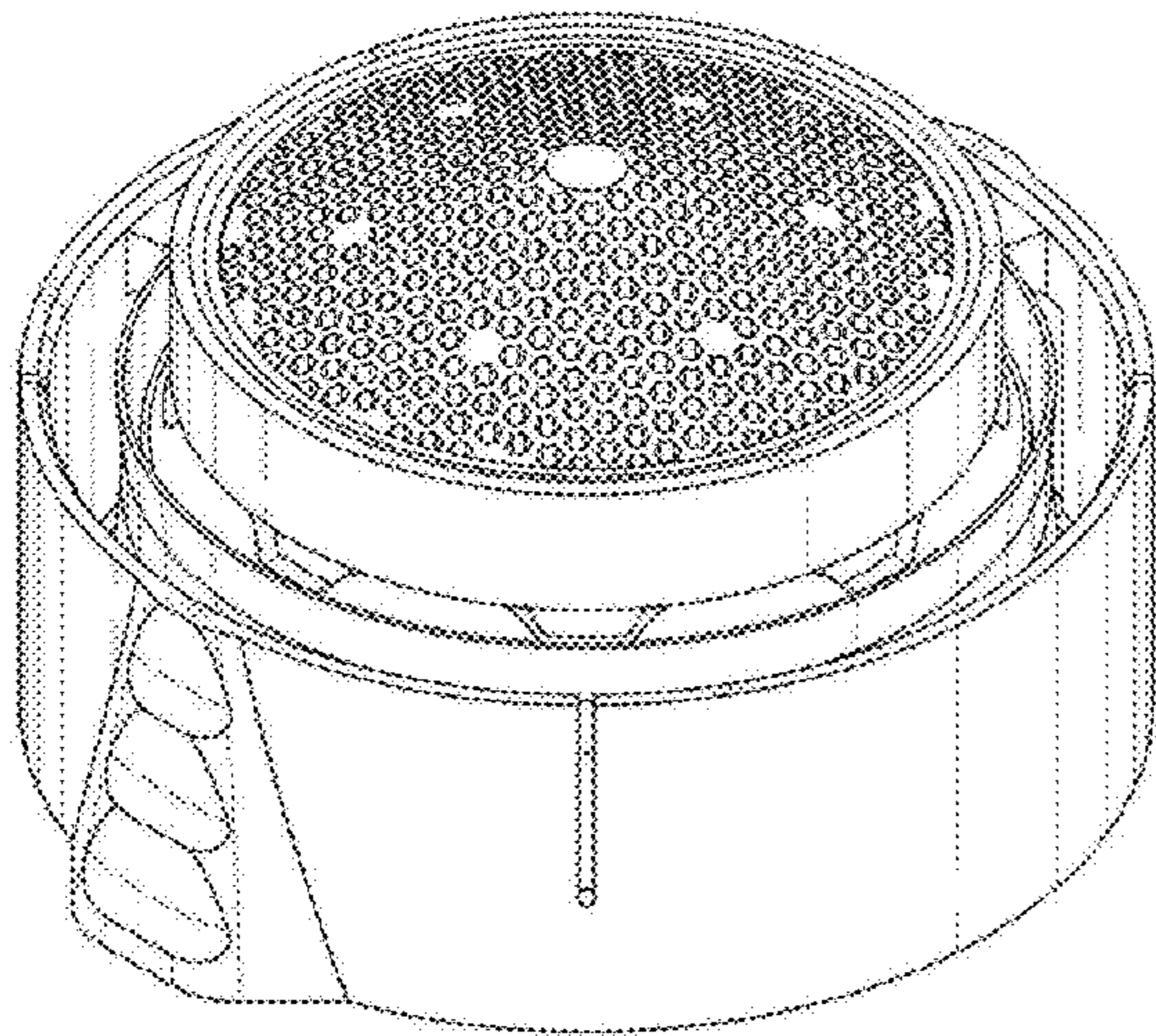
1.5 : Front

1.6 : Left

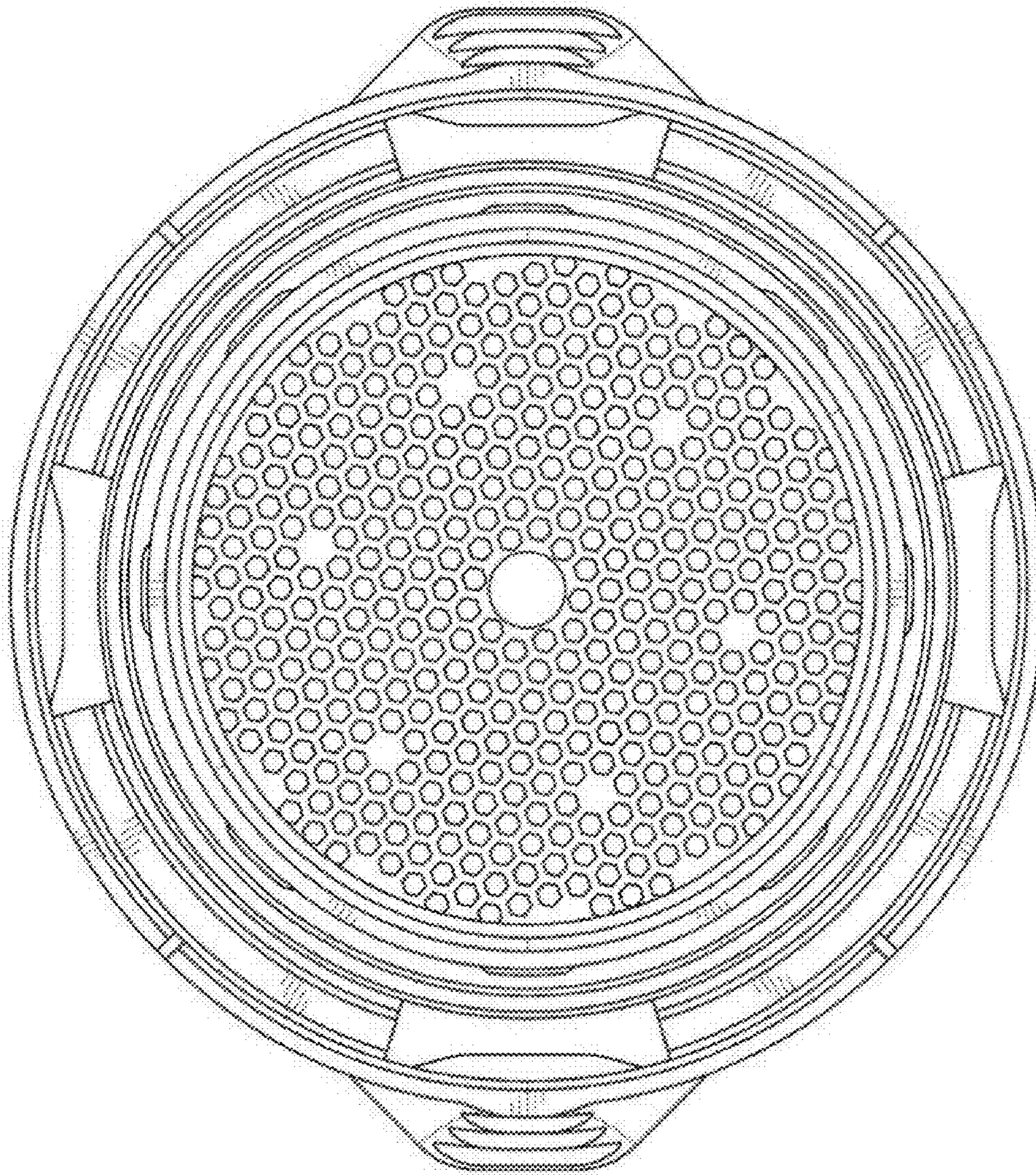
1.7 : Back

1.8 : Right

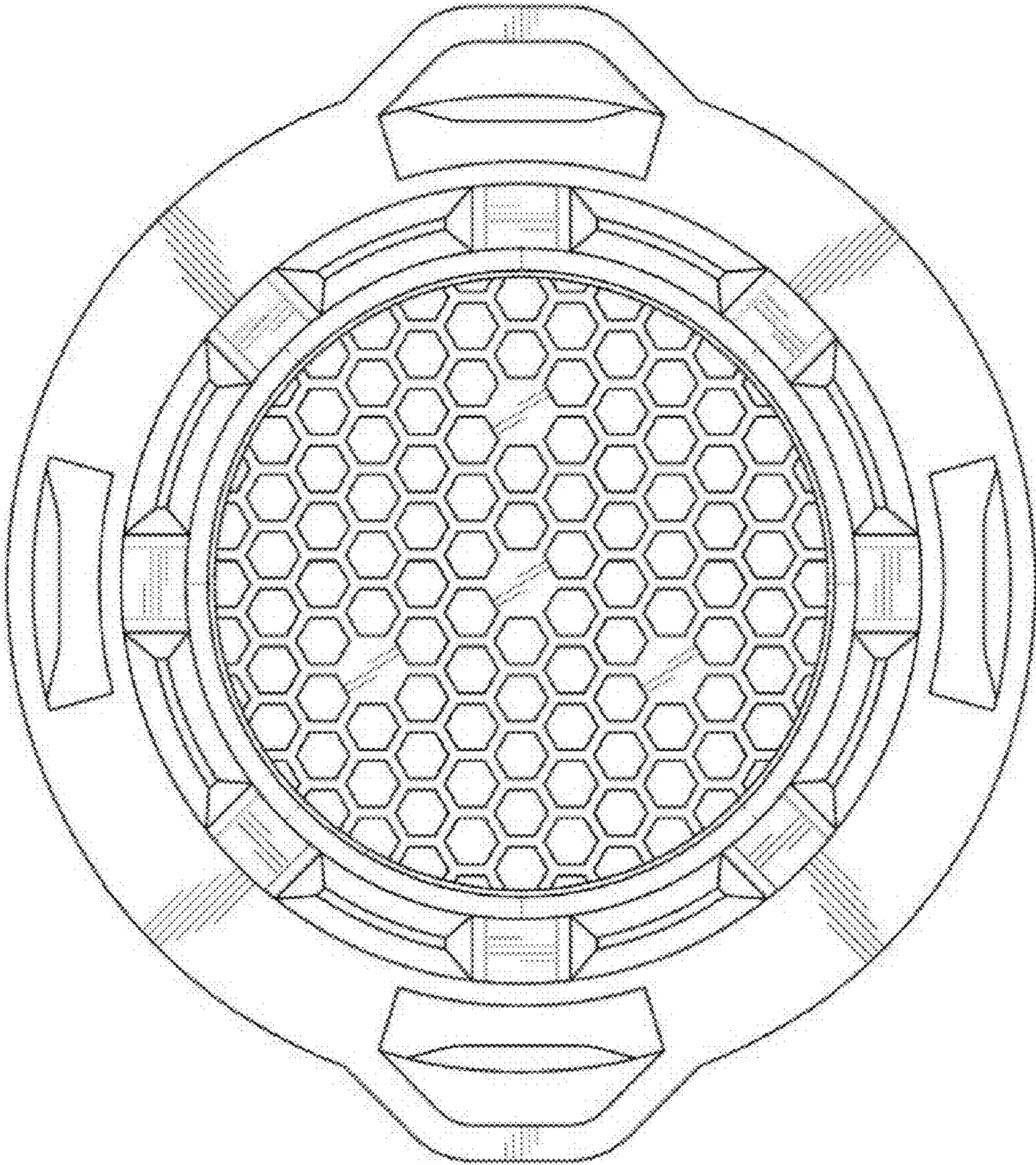
1 Claim, 8 Drawing Sheets



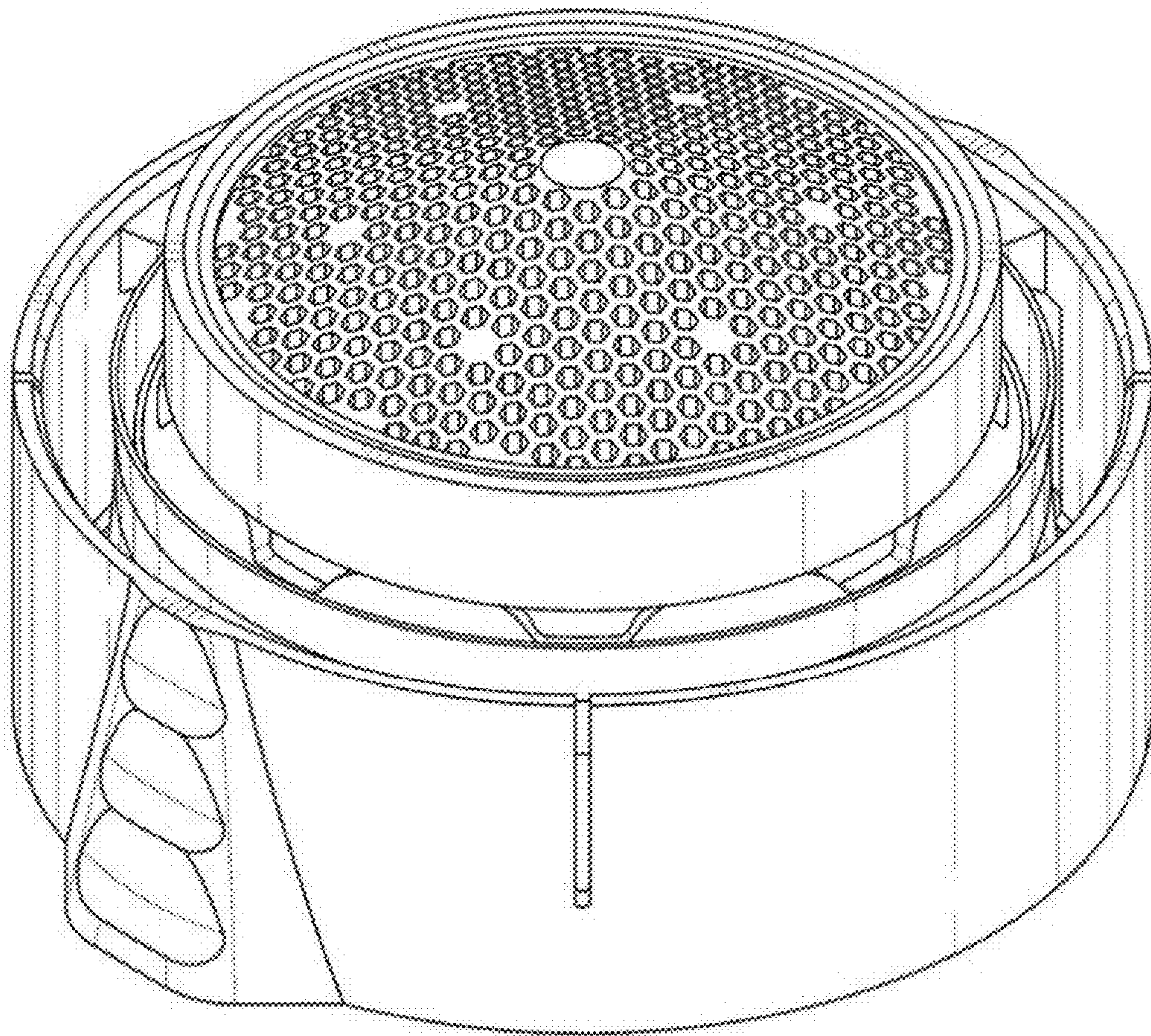
1.1



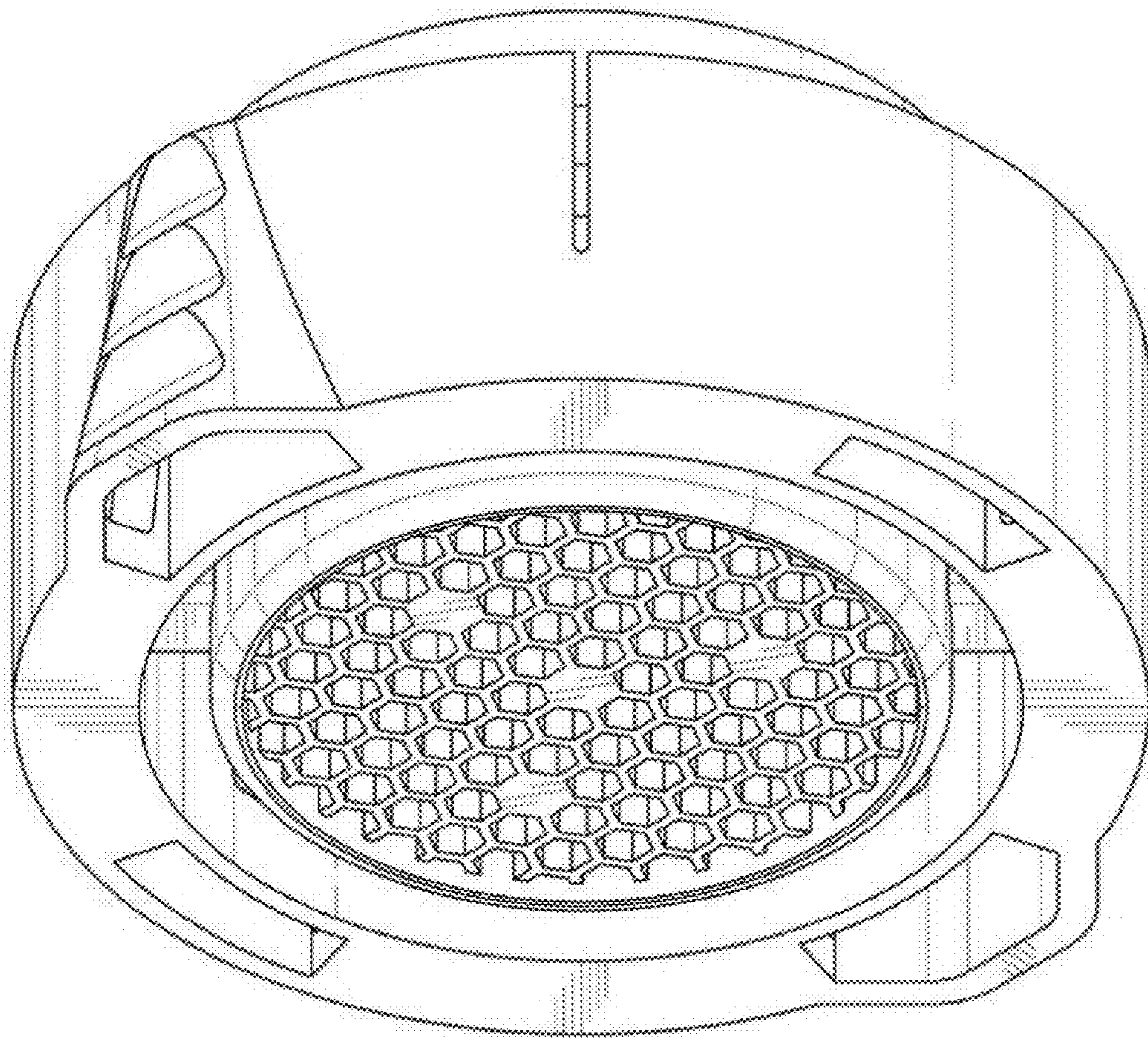
1.2



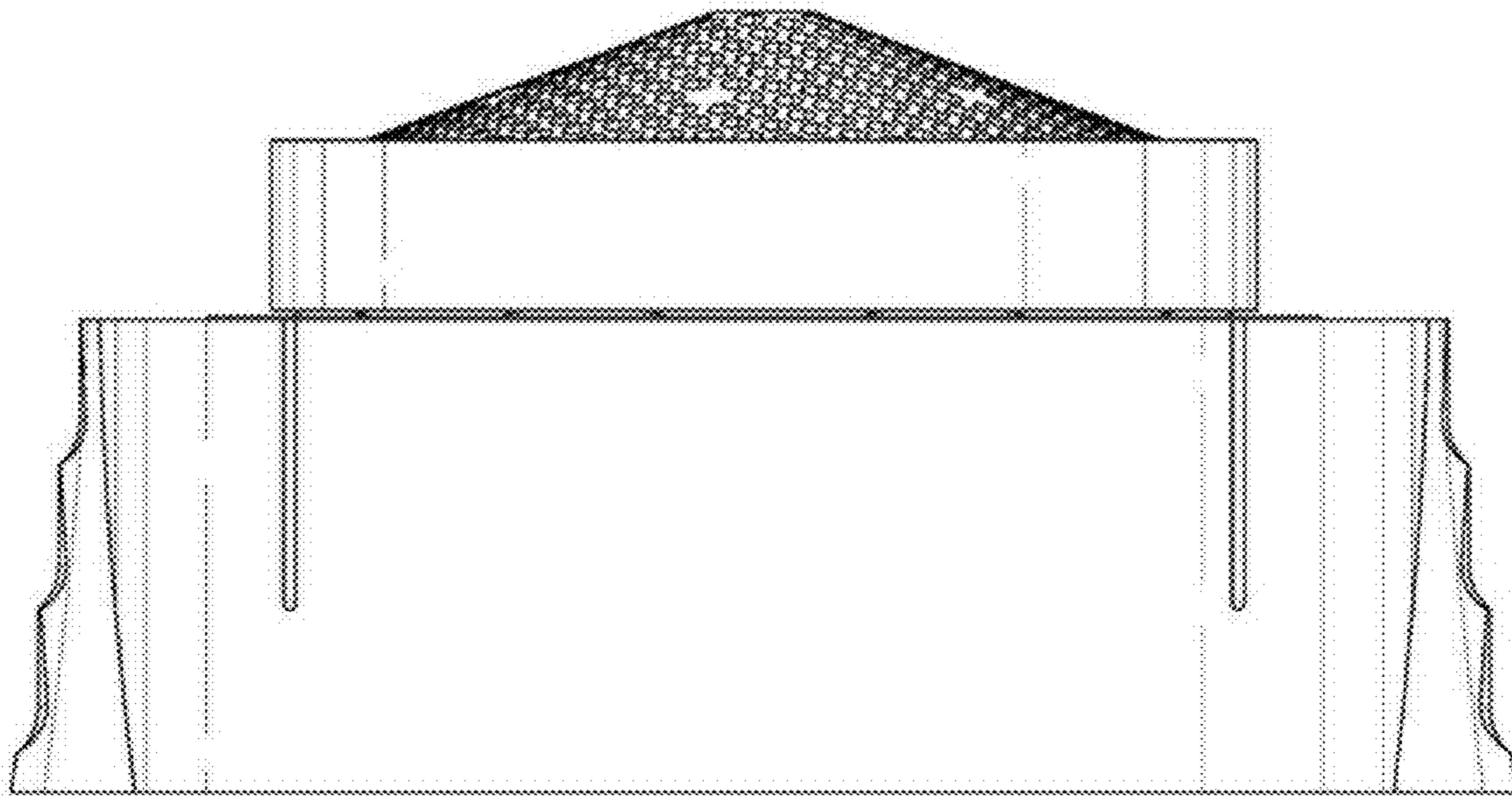
1.3



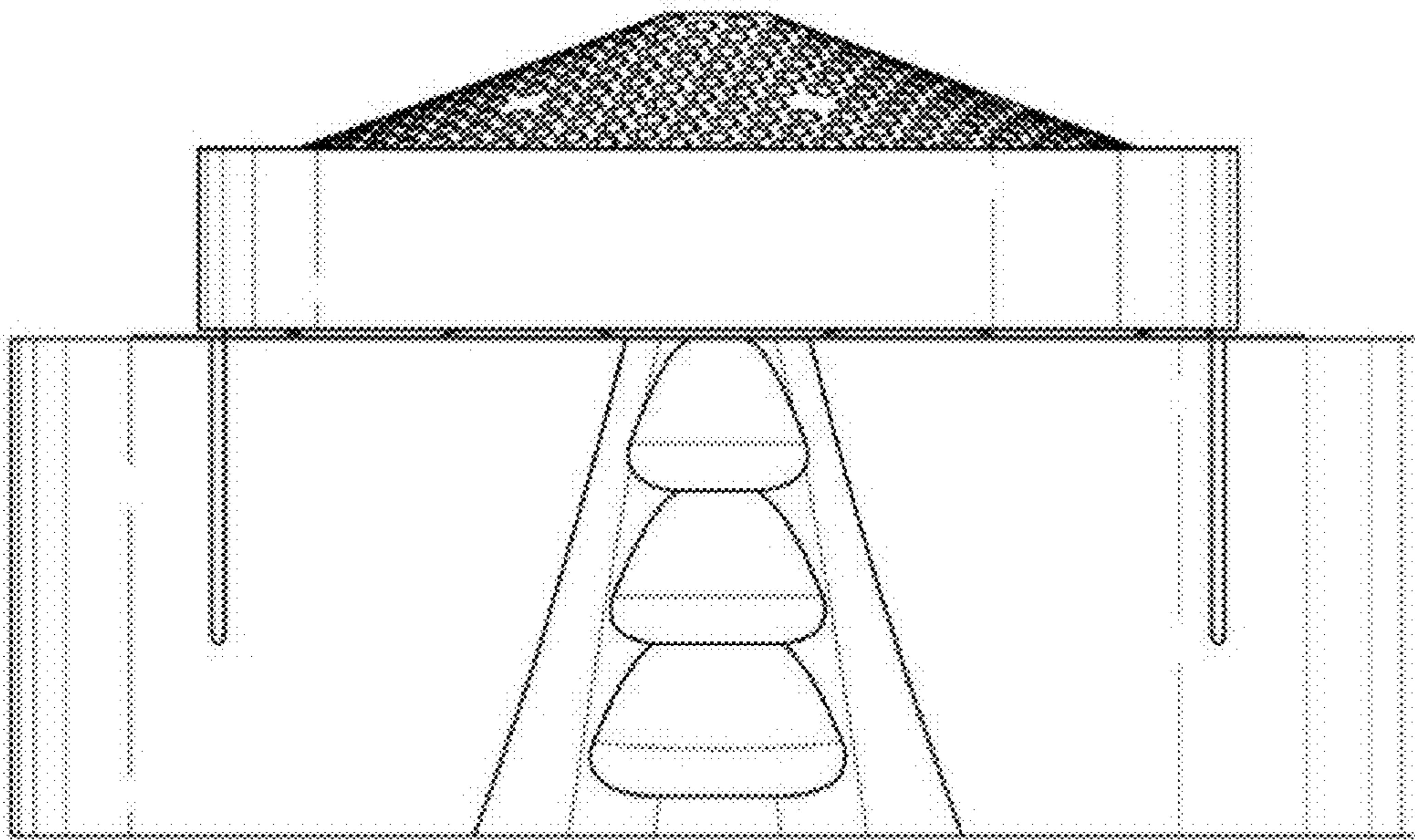
1.4



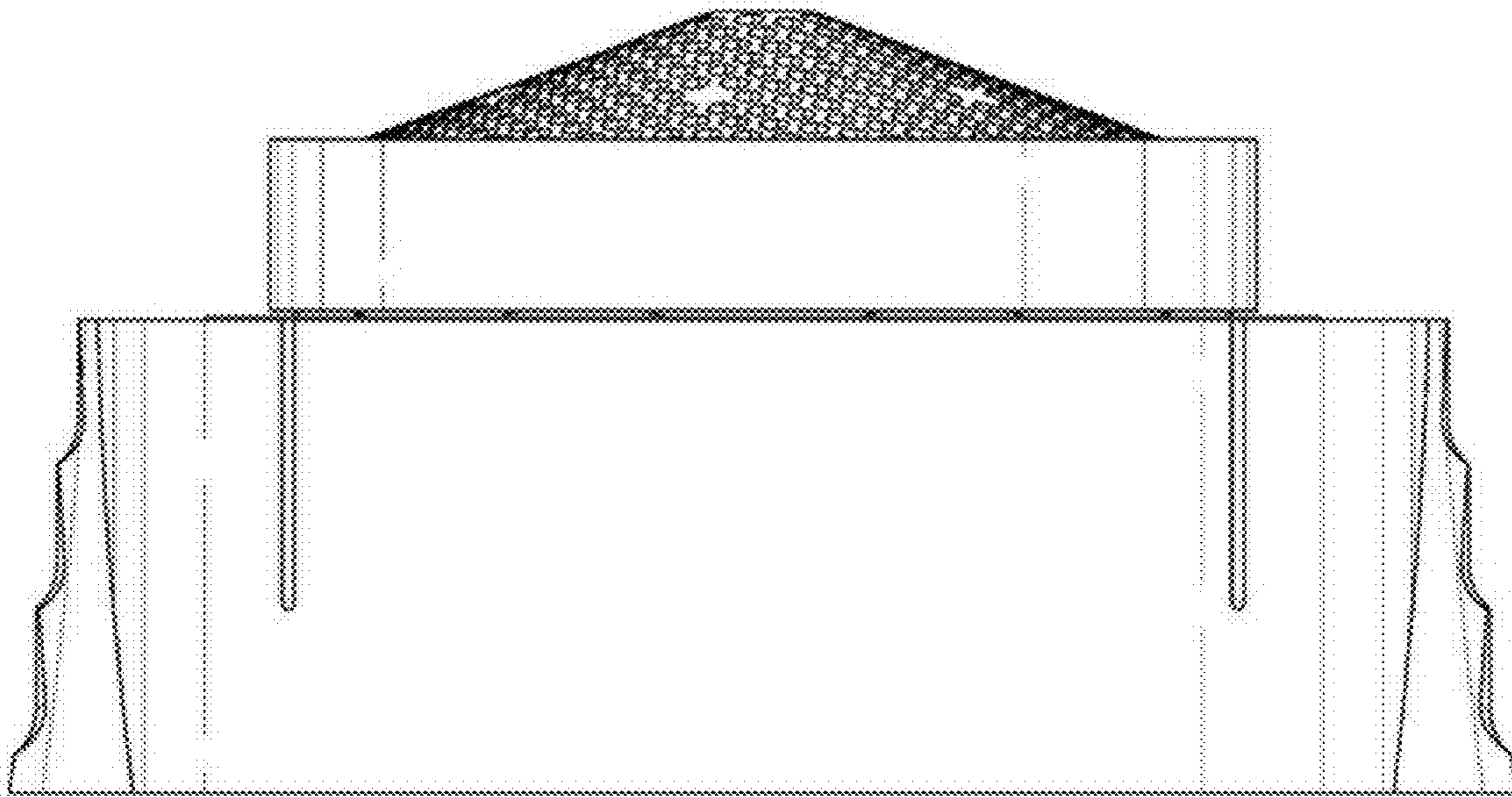
1.5



1.6



1.7



1.8

