



US00D844102S

(12) **United States Design Patent**
DeAngelo et al.

(10) **Patent No.:** **US D844,102 S**
(45) **Date of Patent:** **** Mar. 26, 2019**

(54) **WATER FILTER**

(71) Applicants: **Regina DeAngelo**, Charlestown, RI (US); **W. Scott Keeley**, Charlestown, RI (US)

(72) Inventors: **Regina DeAngelo**, Charlestown, RI (US); **W. Scott Keeley**, Charlestown, RI (US)

(**) Term: **15 Years**

(21) Appl. No.: **29/617,667**

(22) Filed: **Sep. 15, 2017**

(51) **LOC (11) Cl.** **23-01**

(52) **U.S. Cl.**
USPC **D23/209**

(58) **Field of Classification Search**
USPC D23/207, 209, 200; D7/700; 210/650, 210/651, 469
CPC B01D 35/14; B01D 35/30; B01D 35/0276; B01D 35/027; C02F 1/002
See application file for complete search history.

(56) **References Cited**

U.S. PATENT DOCUMENTS

D135,952 S *	7/1943	Warren	D7/700
D282,432 S *	2/1986	Gurka	D23/200
D285,487 S *	9/1986	Tjernagel	D23/200
D310,123 S *	8/1990	Carlson	D23/200
5,076,912 A *	12/1991	Belz	B01J 47/024
				210/264
D398,950 S *	9/1998	Keefer	D23/200
D404,462 S *	1/1999	Otto	D15/199
D426,283 S *	6/2000	Hernandez, Jr.	D23/200
D434,511 S *	11/2000	Parker	D23/200
6,402,949 B1 *	6/2002	Banks	C02F 1/002
				210/257.1
D697,170 S *	1/2014	Bradford	D23/209
D697,171 S *	1/2014	Bradford	D23/209

D712,508 S *	9/2014	Du	D23/209
D722,675 S *	2/2015	Del Ponte	C02F 1/002
				D23/209
D753,263 S *	4/2016	Del Ponte	B01J 47/024
				D23/209

* cited by examiner

Primary Examiner — Robin V Webster

(74) *Attorney, Agent, or Firm* — Keeley DeAngelo LLP; W Scott Keeley

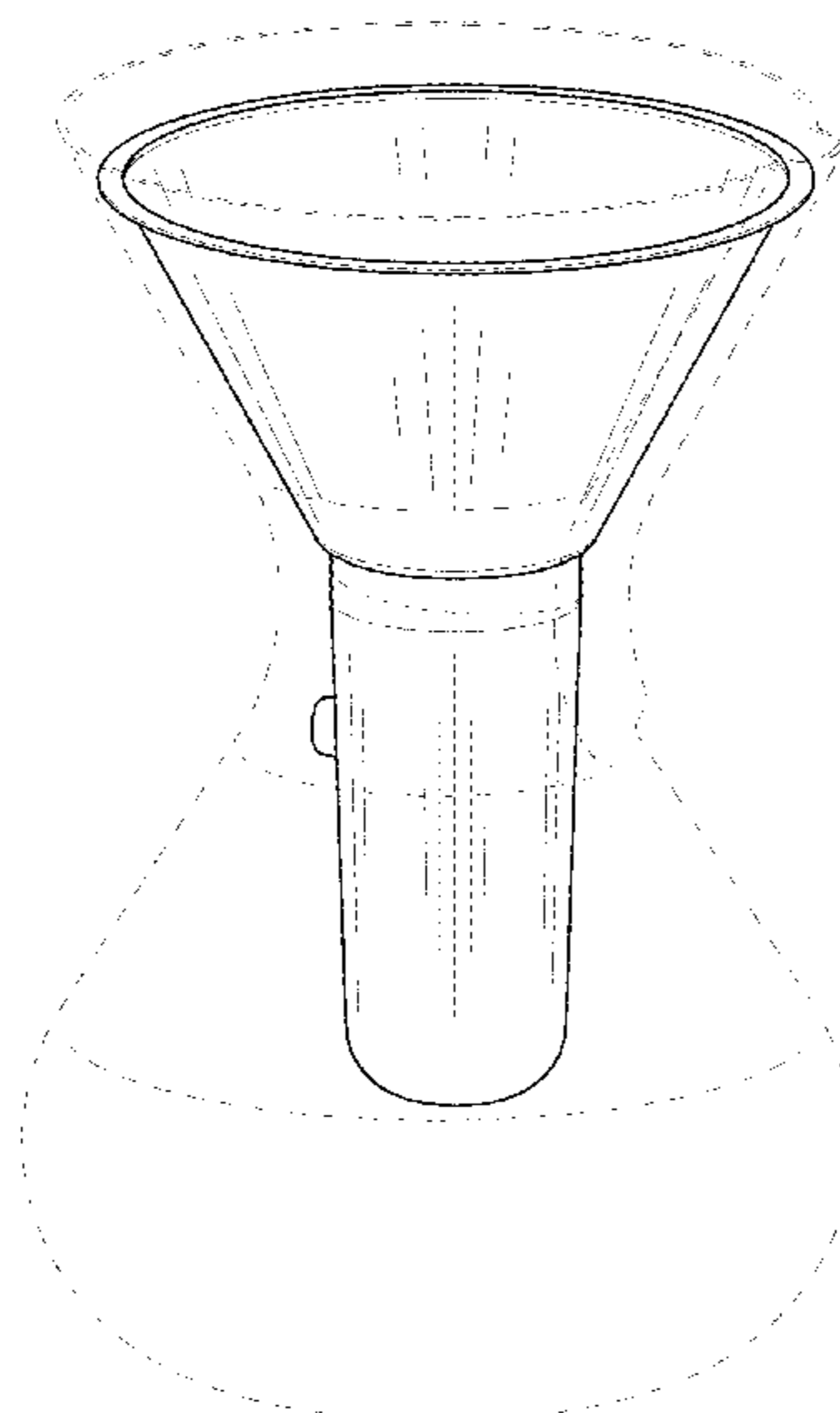
(57) **CLAIM**

The ornamental design for a water filter, as shown and described.

DESCRIPTION

FIG. 1 is a front right perspective view of a water filter of the present embodiment;
 FIG. 2 is a front perspective view of the present embodiment in situ;
 FIG. 3 is a rear perspective view of the present embodiment;
 FIG. 4 is a rear perspective view of the present embodiment in situ;
 FIG. 5 is a front perspective, exploded view of the present embodiment;
 FIG. 6 is a front perspective, exploded view of the present embodiment in situ;
 FIG. 7 is a rear view of the present embodiment;
 FIG. 8 is a left side view of the present embodiment;
 FIG. 9 is a front view of the present embodiment;
 FIG. 10 is a right view of the present embodiment;
 FIG. 11 is a top view of the present embodiment; and,
 FIG. 12 is a bottom view of the present embodiment.
 The broken line showing portions of the water filter and the environment in FIGS. 2, 4 and 6 is included for the purpose of illustrating and forms no part of the claimed design.

1 Claim, 12 Drawing Sheets



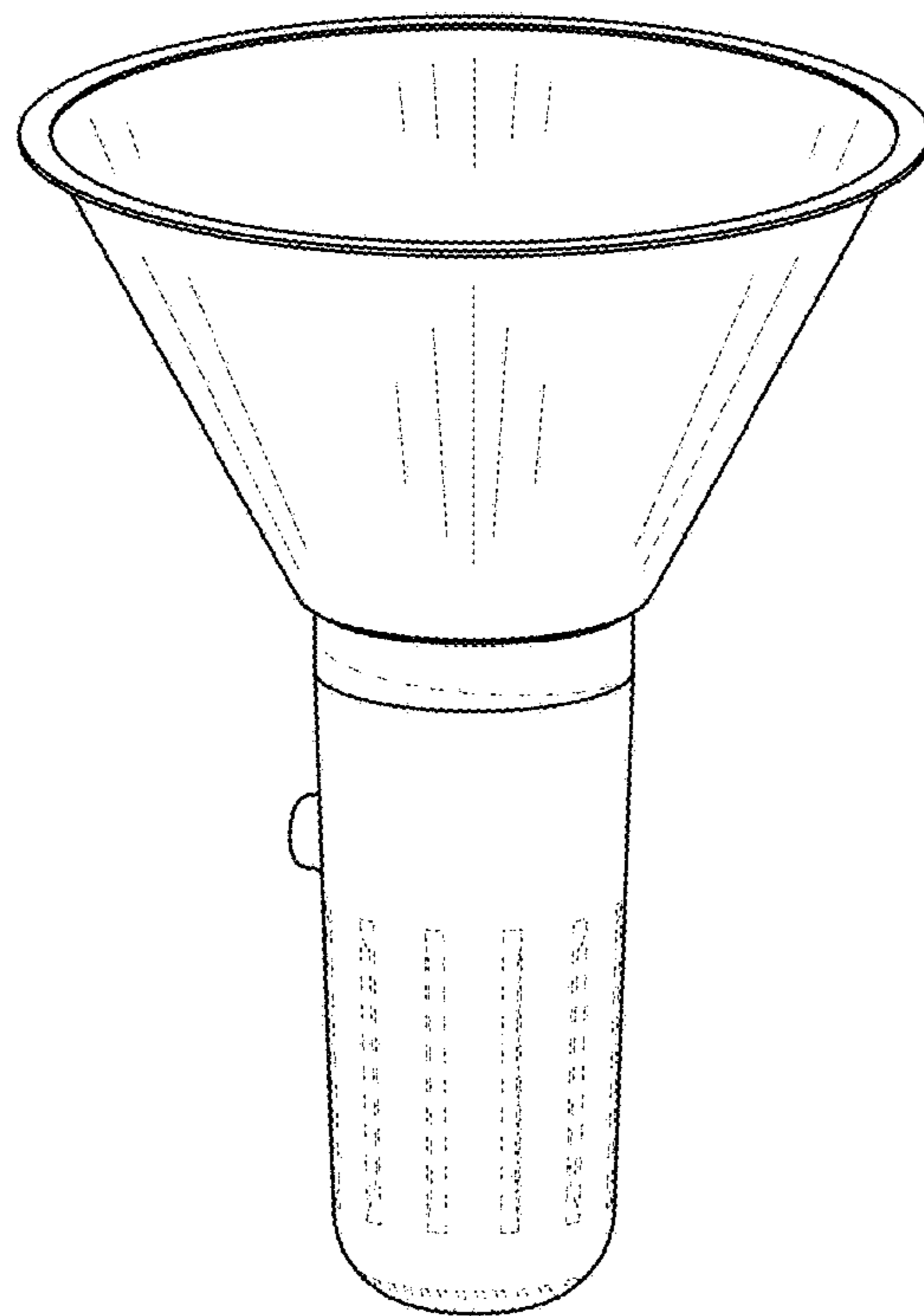


Figure 1

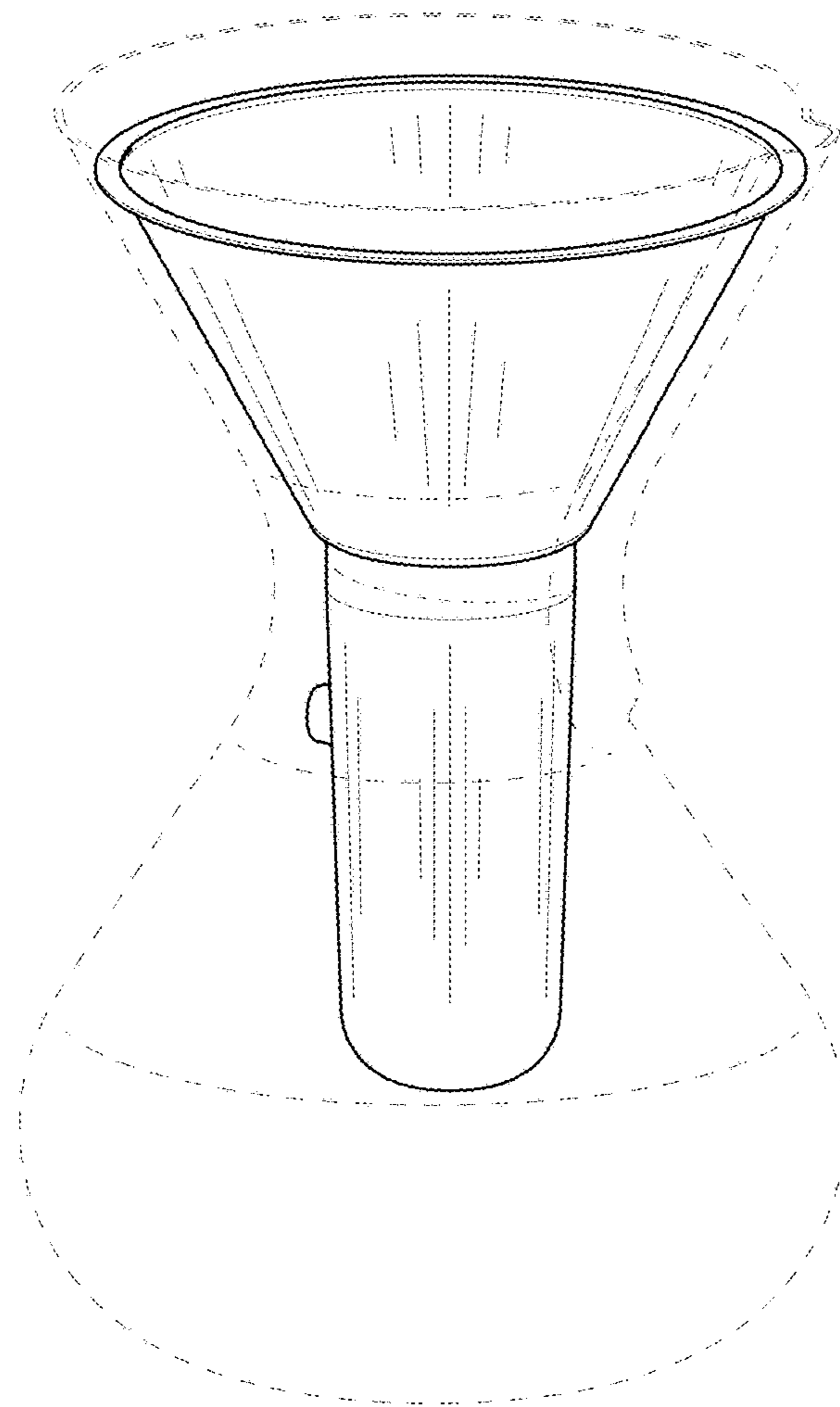


Figure 2

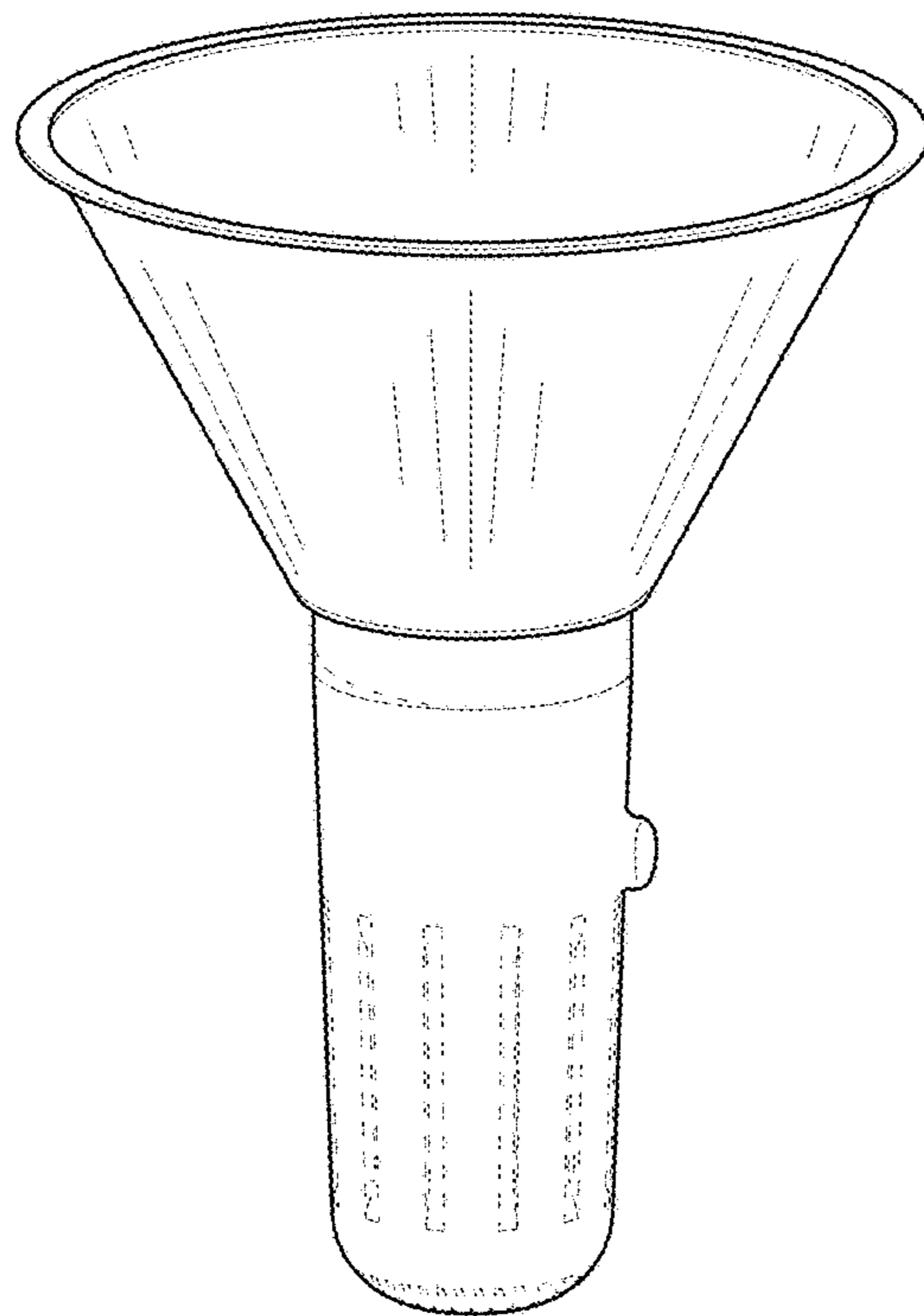


Figure 3

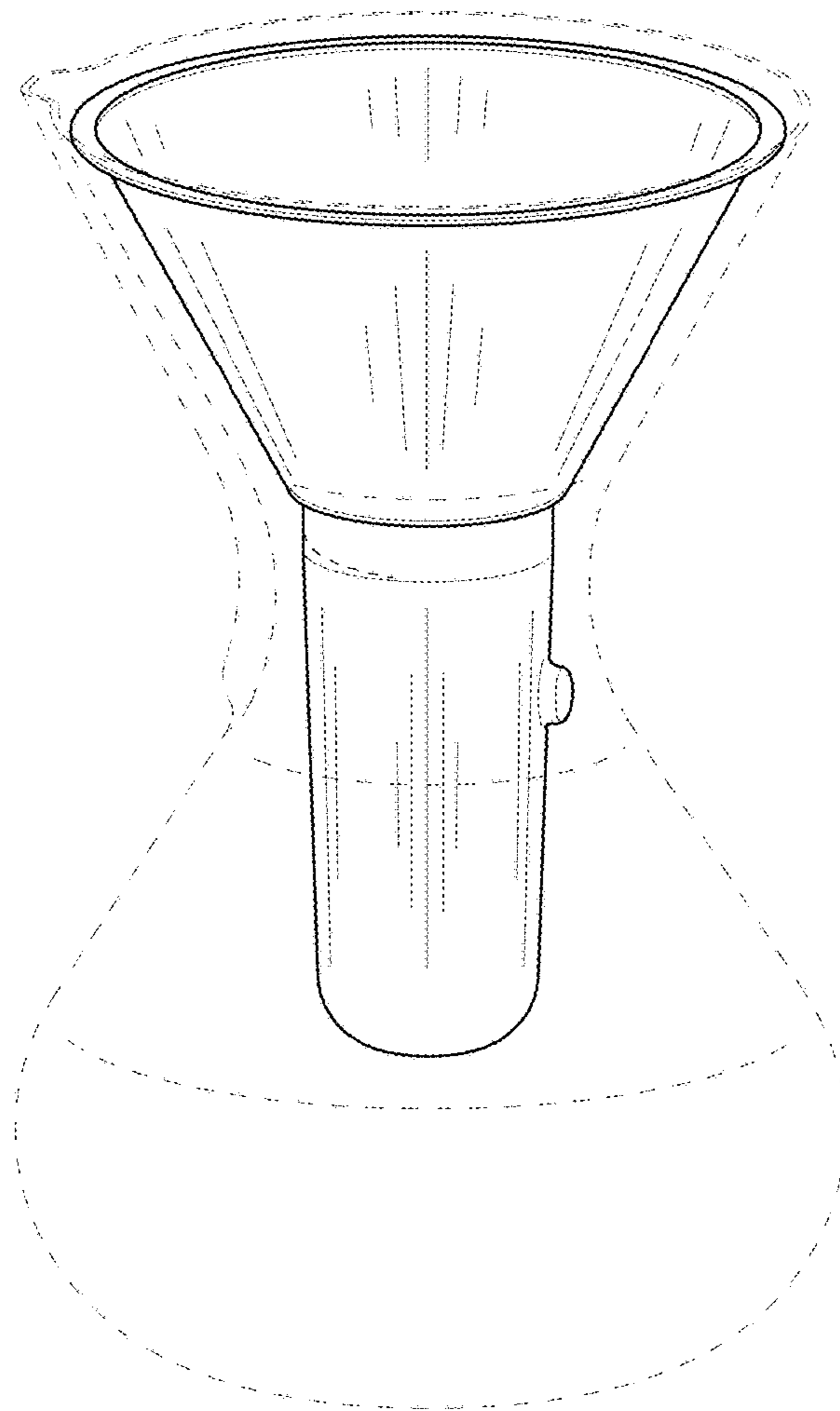


Figure 4

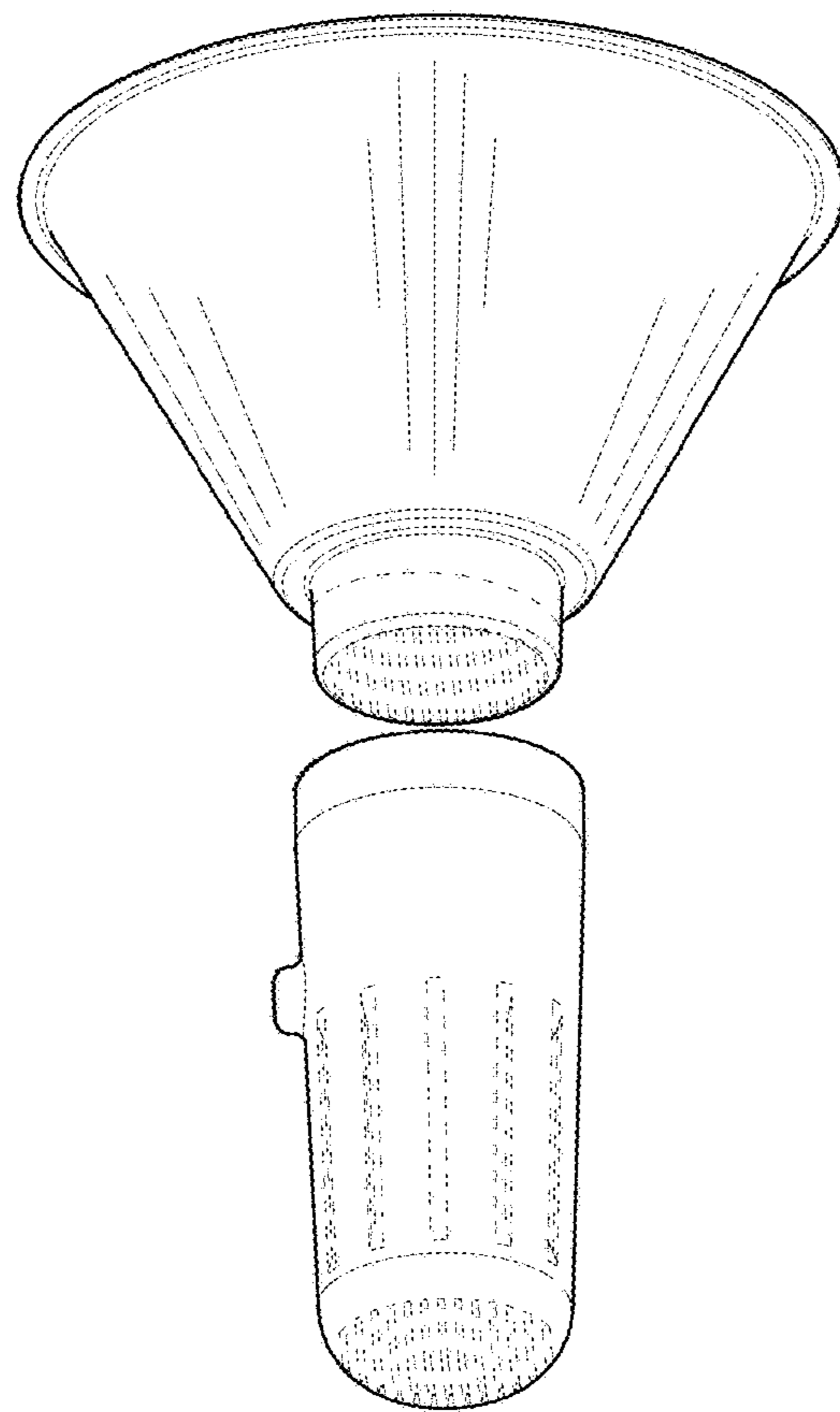


Figure 5

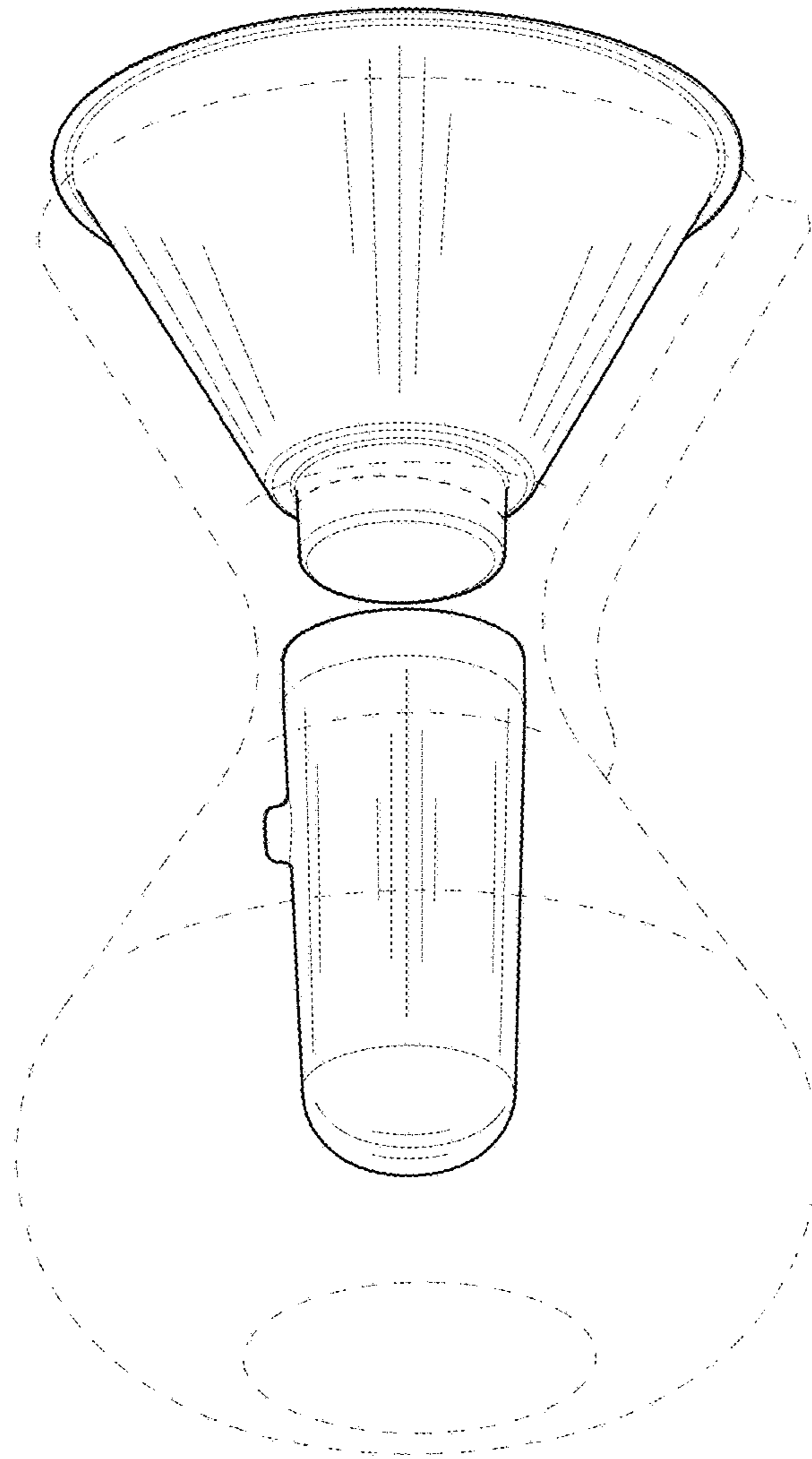


Figure 6

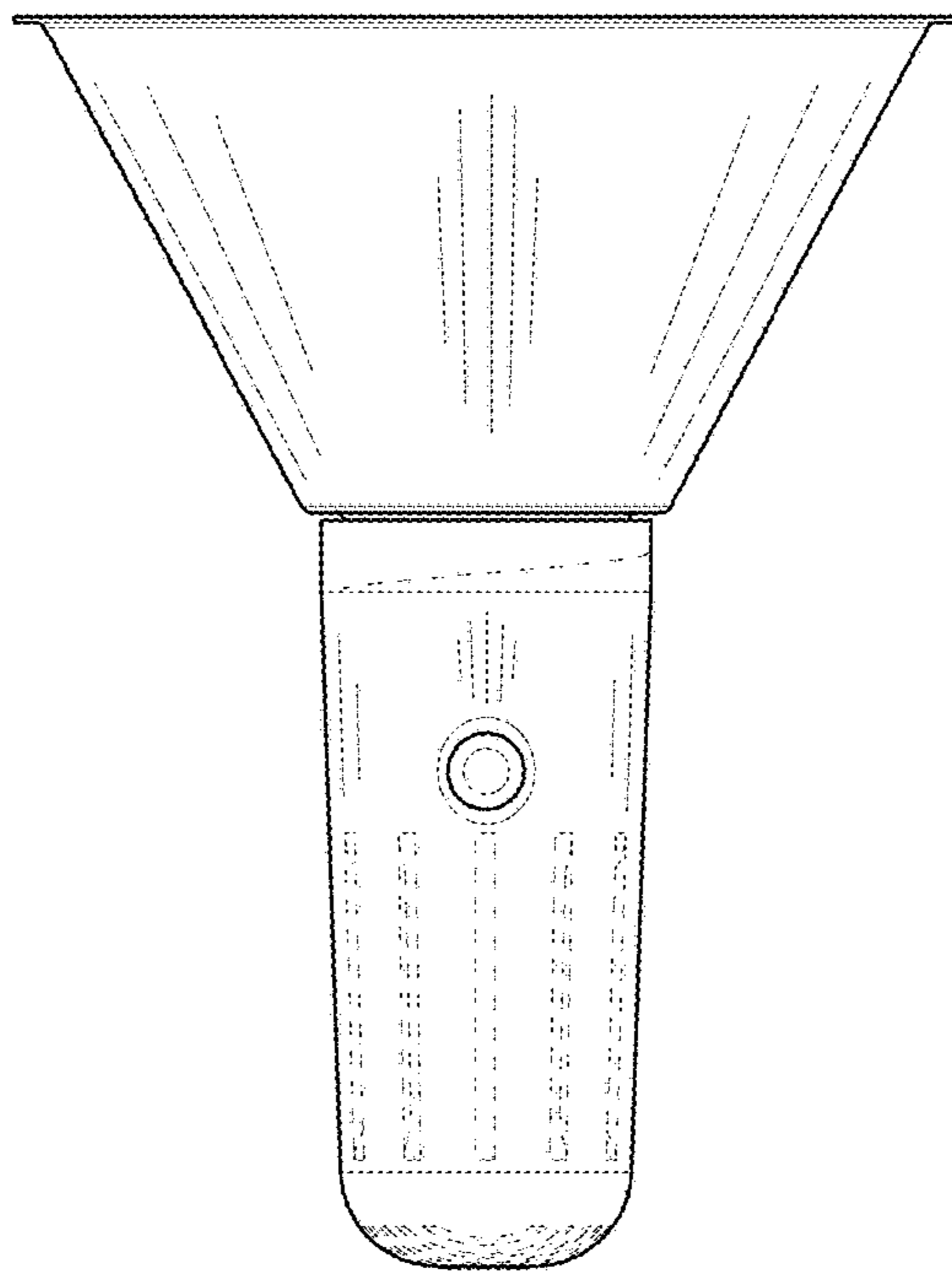


Figure 7

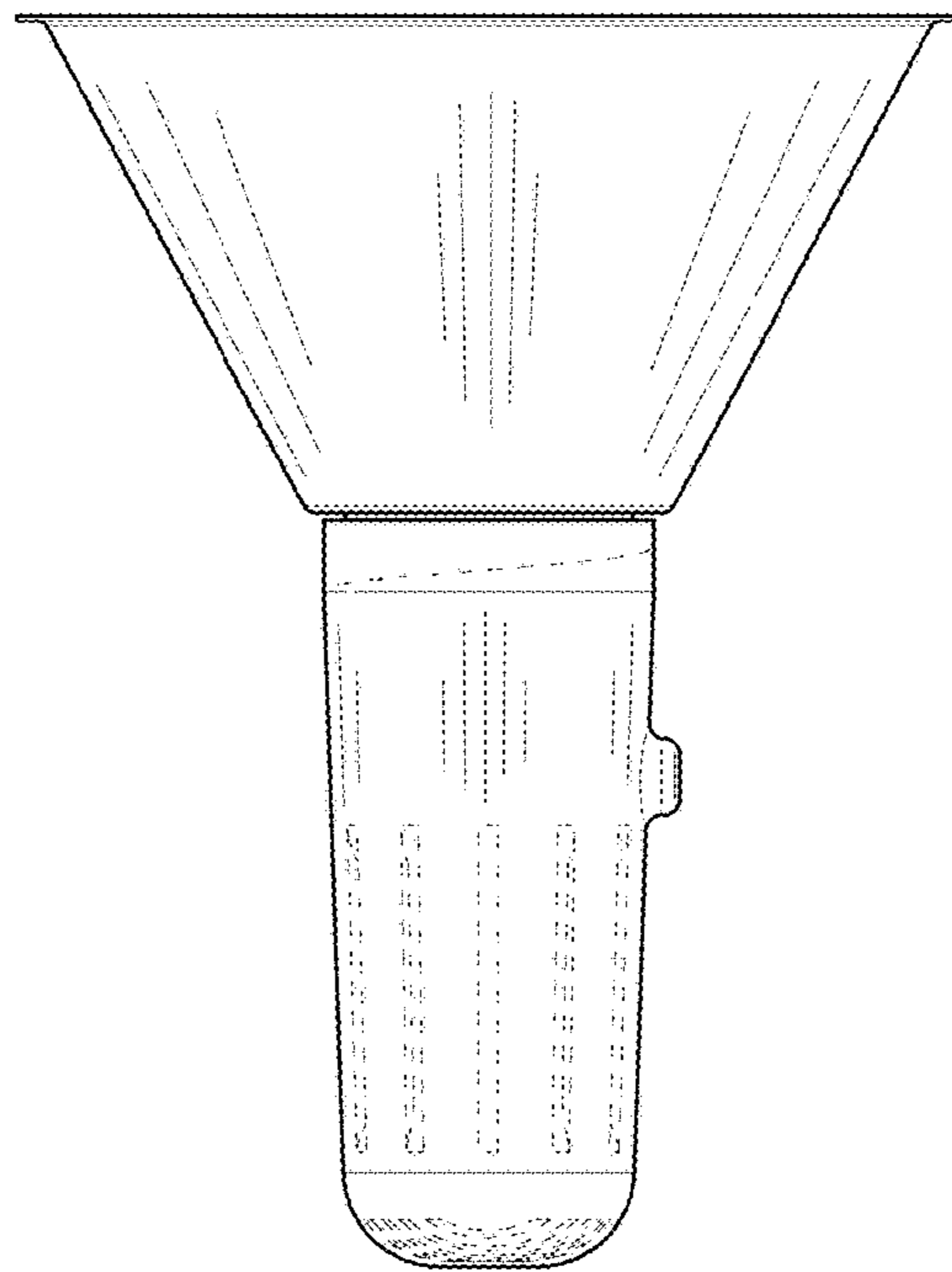


Figure 8

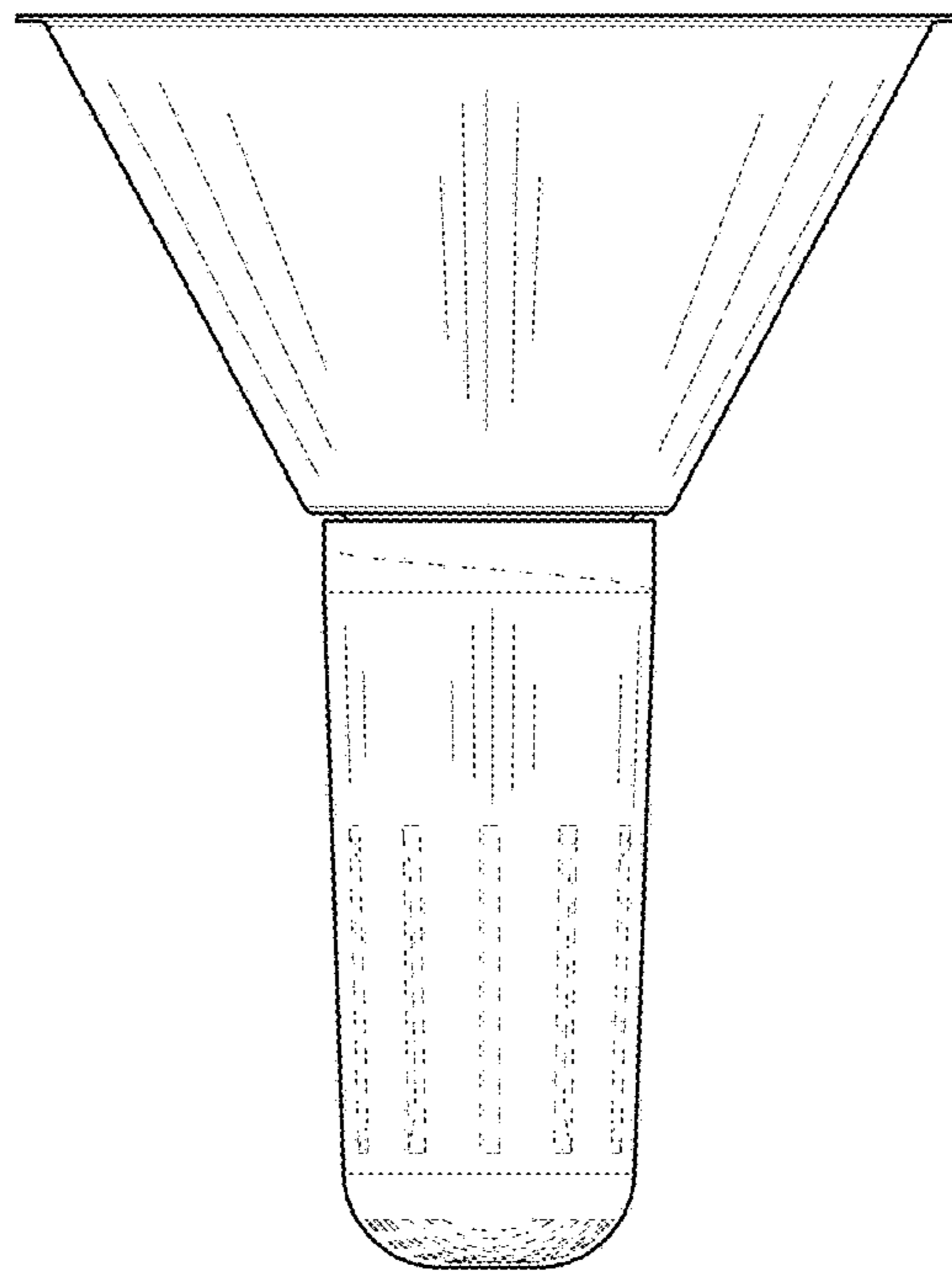


Figure 9

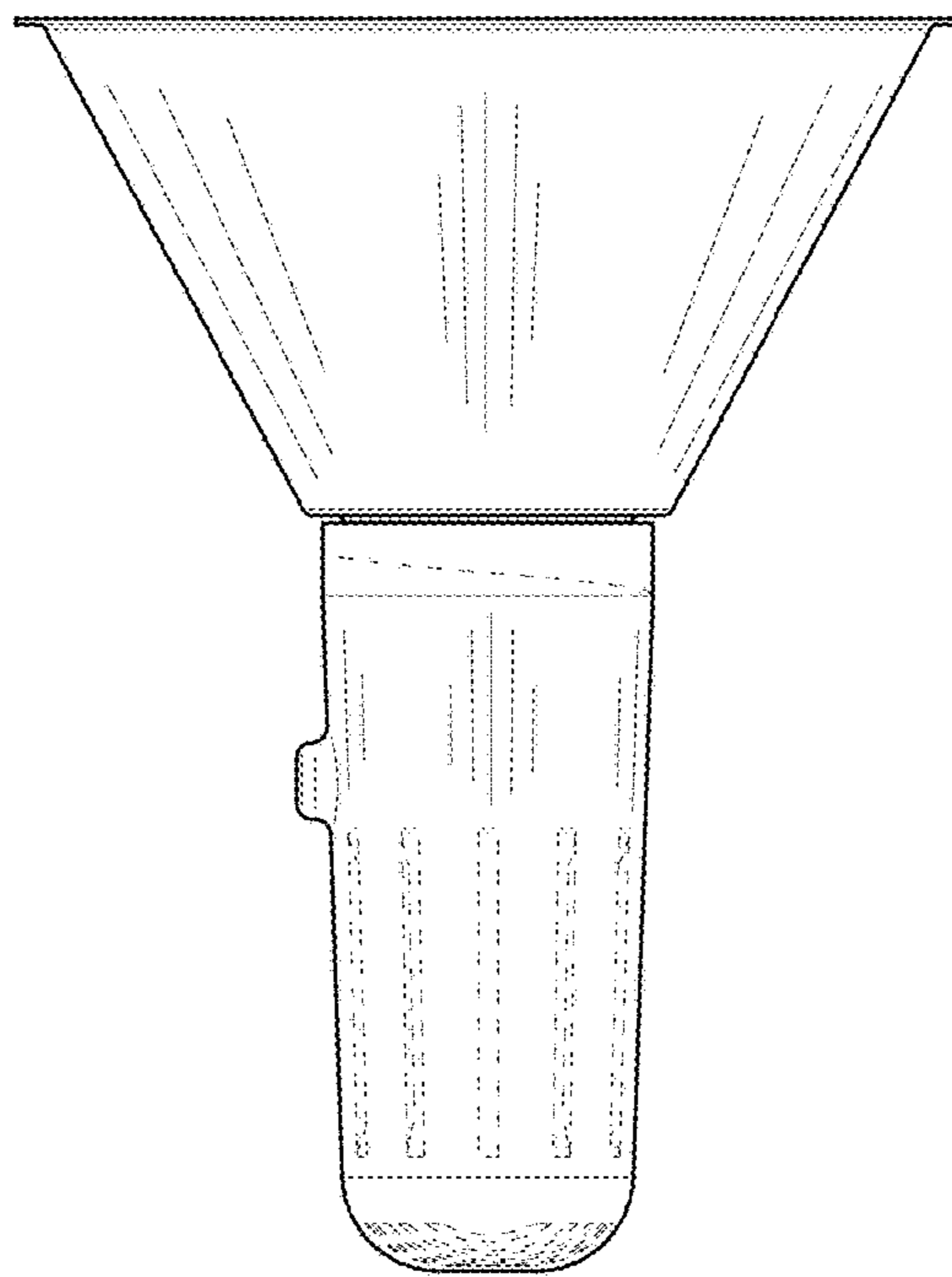


Figure 10

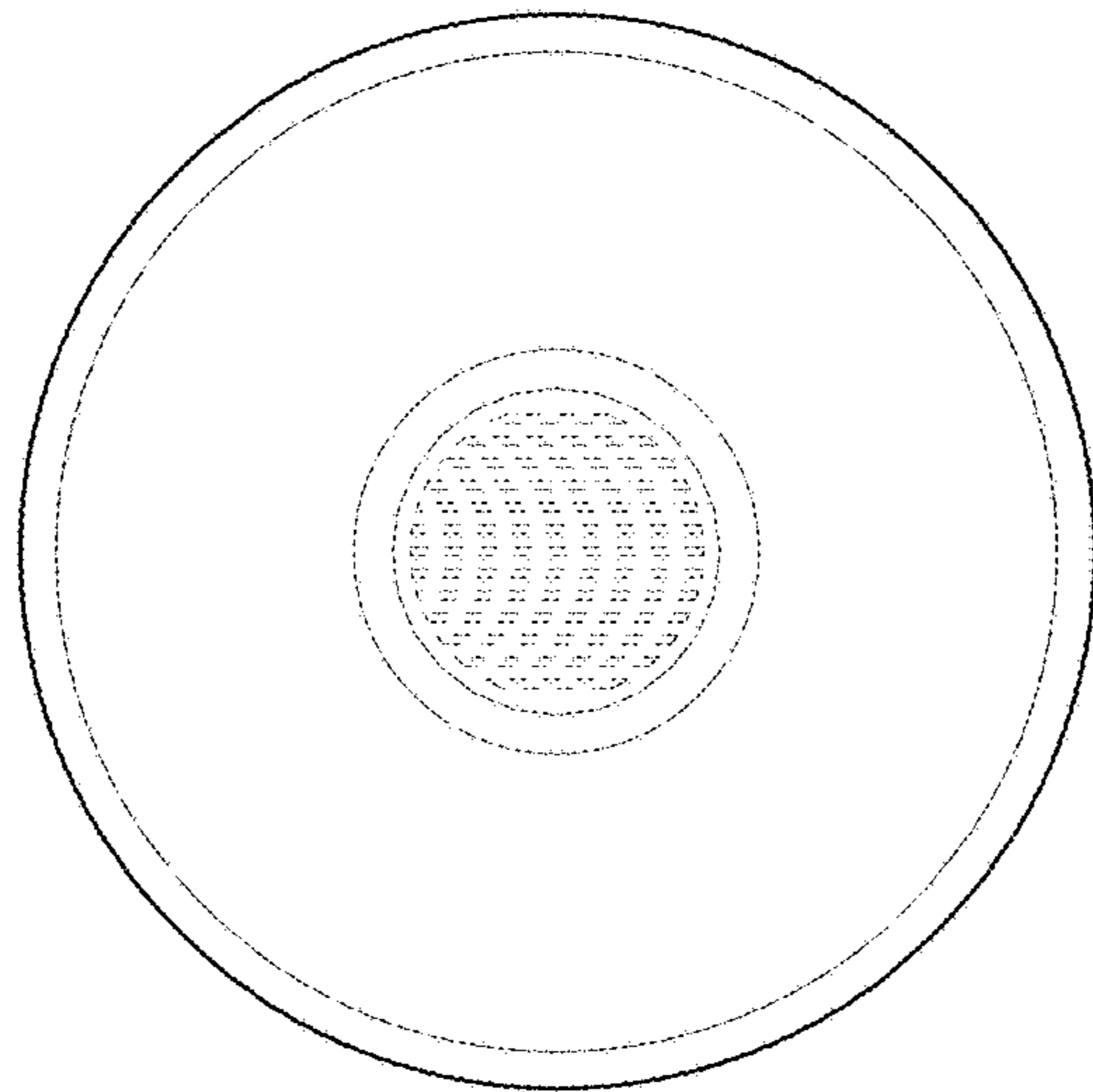


Figure 11

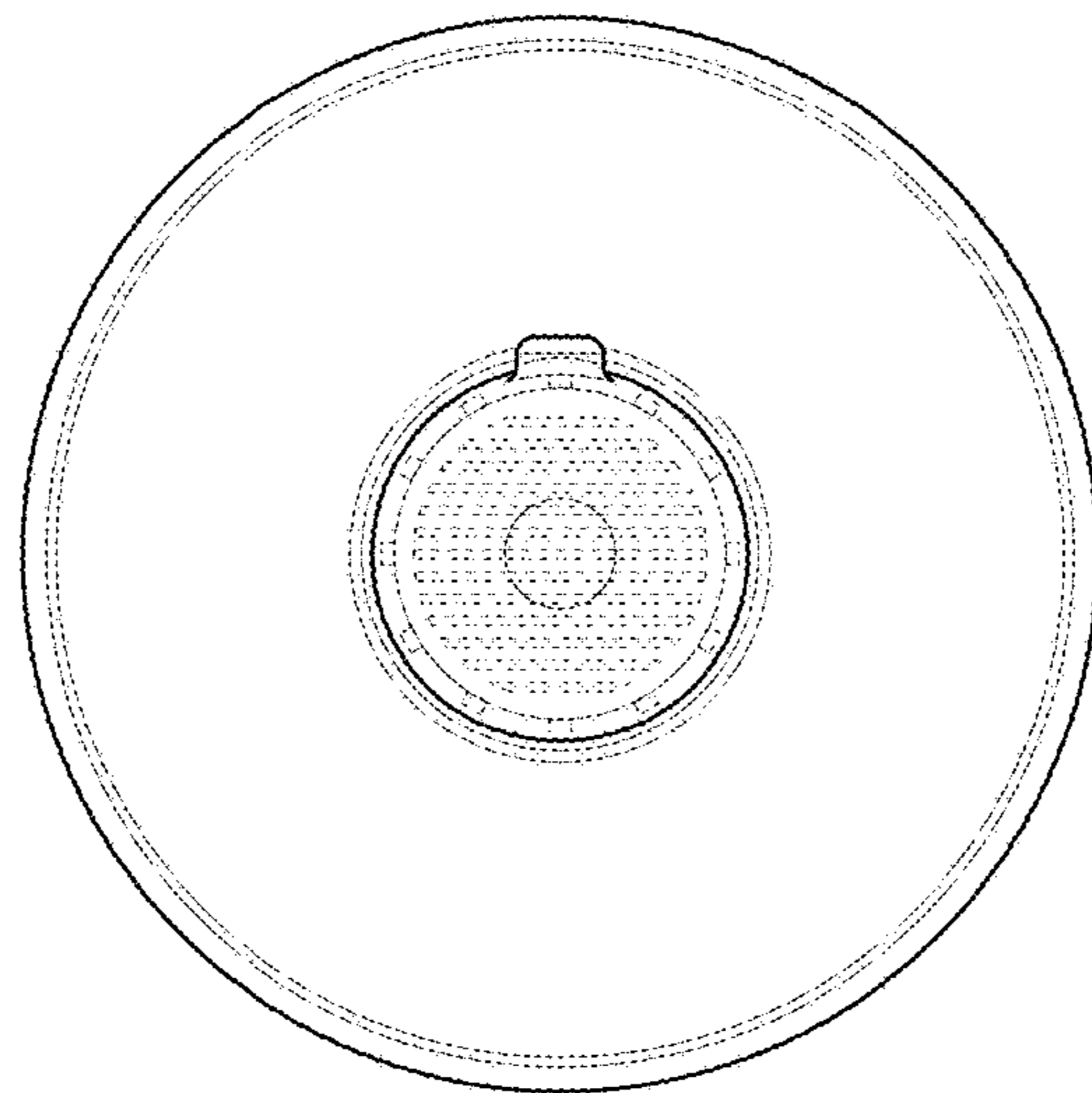


Figure 12