



US00D844101S

(12) **United States Design Patent**  
**Zheng**

(10) **Patent No.:** **US D844,101 S**

(45) **Date of Patent:** **\*\* Mar. 26, 2019**

(54) **SMART WATER PURIFIER WITH SCREEN**

D482,755 S \* 11/2003 Rhinehart ..... D23/207  
D682,387 S \* 5/2013 Tseng ..... D23/207  
D731,618 S \* 6/2015 Yeh ..... D23/209

(71) Applicant: **Fujian Ospring Science Technology Development Co., Ltd., Fuzhou (CN)**

\* cited by examiner

(72) Inventor: **Qin Zheng, Fuzhou (CN)**

*Primary Examiner* — Robin V Webster

(73) Assignee: **FUJIAN OSPRING SCIENCE TECHNOLOGY DEVELOPMENT CO., LTD., Fuzhou (CN)**

(74) *Attorney, Agent, or Firm* — Gokalp Bayramoglu

(57) **CLAIM**

The ornamental design for a smart water purifier with screen, as shown and described.

(\*\*) Term: **15 Years**

**DESCRIPTION**

(21) Appl. No.: **29/624,199**

FIG. 1 is a perspective view of a smart water purifier with screen;

(22) Filed: **Oct. 31, 2017**

FIG. 2 is a front view of the smart water purifier with screen;

(51) **LOC (11) Cl.** ..... **23-01**

FIG. 3 is a rear view of the smart water purifier with screen;

(52) **U.S. Cl.**

FIG. 4 is a left side view of the smart water purifier with screen;

USPC ..... **D23/207**

FIG. 5 is a right side view of the smart water purifier with screen;

(58) **Field of Classification Search**

FIG. 6 is a top view of the smart water purifier with screen;

USPC ..... D23/200, 207, 209

FIG. 7 is a bottom view of the smart water purifier with screen;

CPC .... B01D 35/30; B01D 35/153; B01D 35/306;

FIG. 8 is a detailed enlarged view of the screen on the smart water purifier;

B01D 2201/30; B01D 2201/29; B01D

FIG. 9 is another detailed enlarged view of the screen on the smart water purifier when the water purifier is in a different mode of operation; and,

24/10; B01D 36/02; C02F 1/002; C02F

FIG. 10 is another detailed enlarged view of the screen on the smart water purifier when the water purifier is in another different mode of operation.

1/003

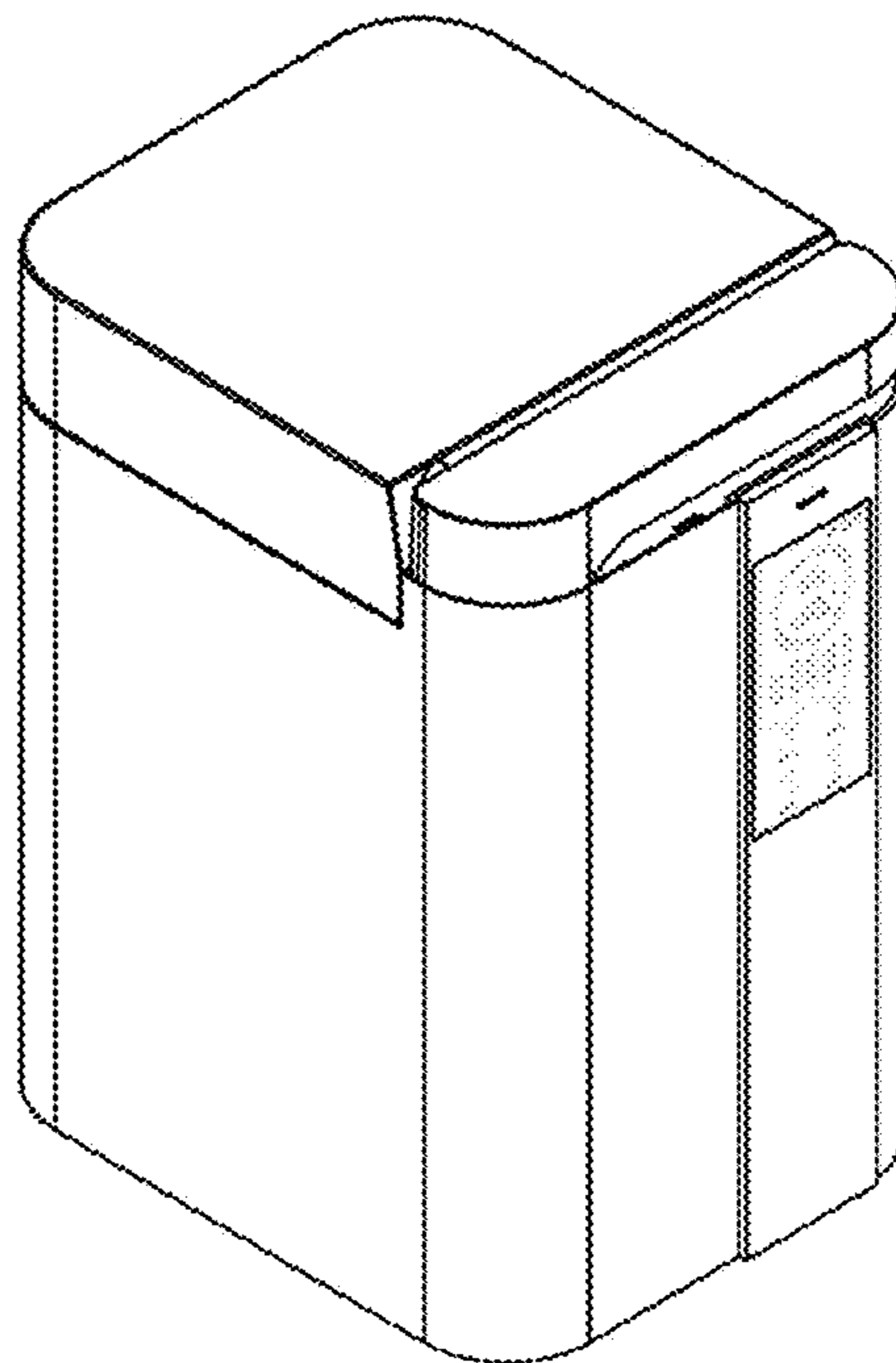
See application file for complete search history.

(56) **References Cited**

**U.S. PATENT DOCUMENTS**

D331,097 S \* 11/1992 Sieren ..... D23/207  
D413,961 S \* 9/1999 Bassett ..... D23/209  
D470,912 S \* 2/2003 Daws ..... D23/209

**1 Claim, 10 Drawing Sheets**



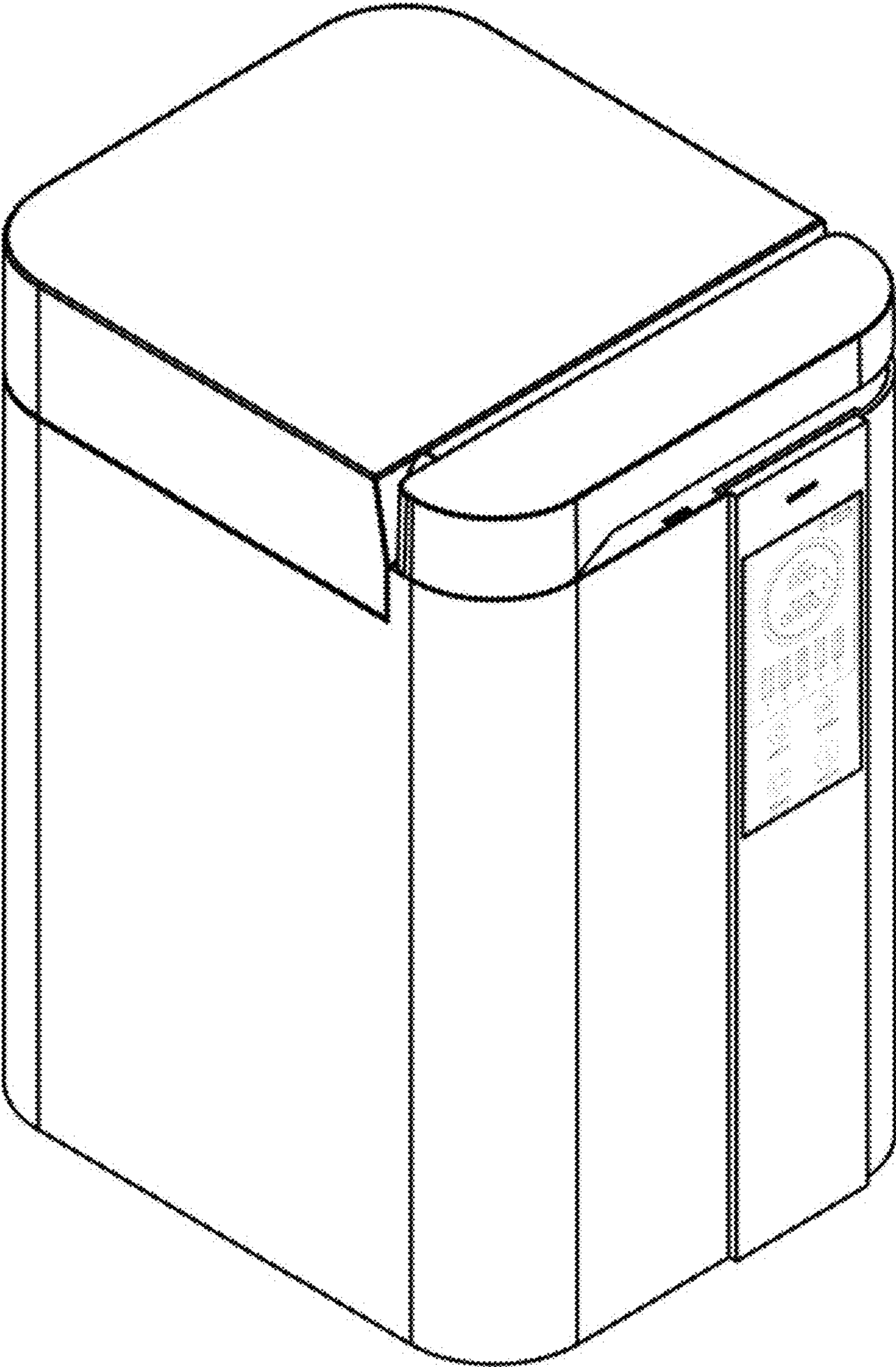


Fig. 1

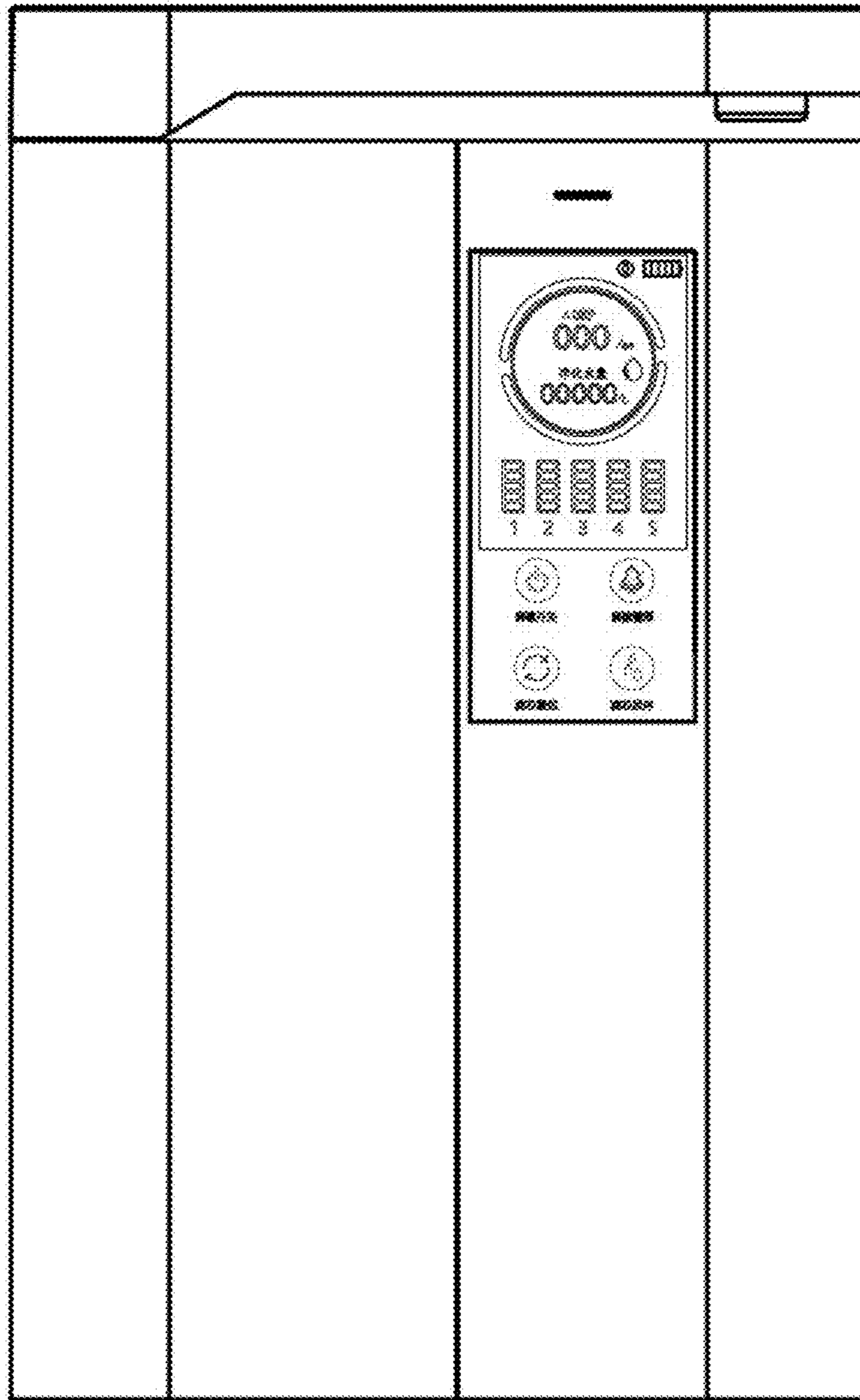


Fig. 2

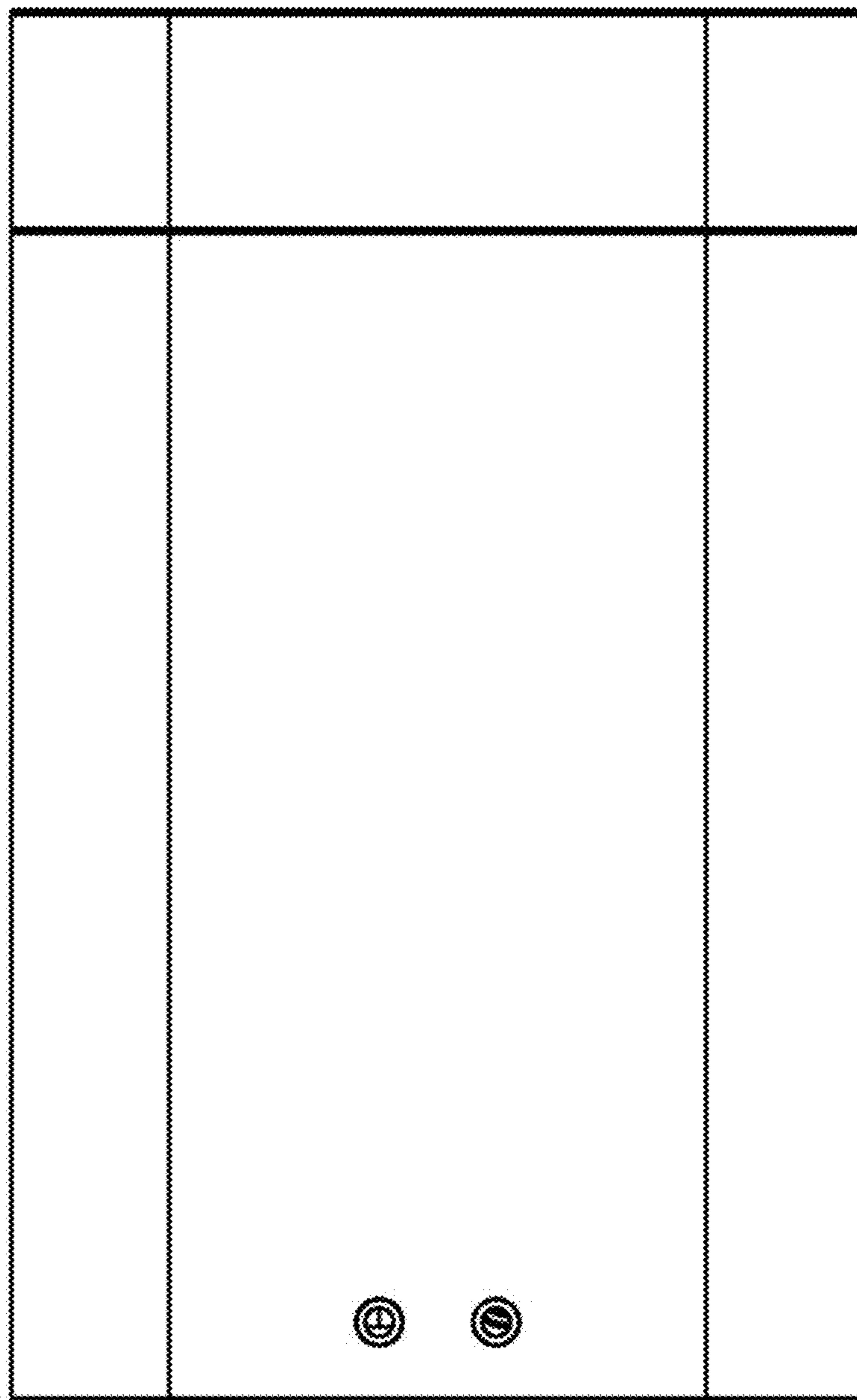


Fig. 3

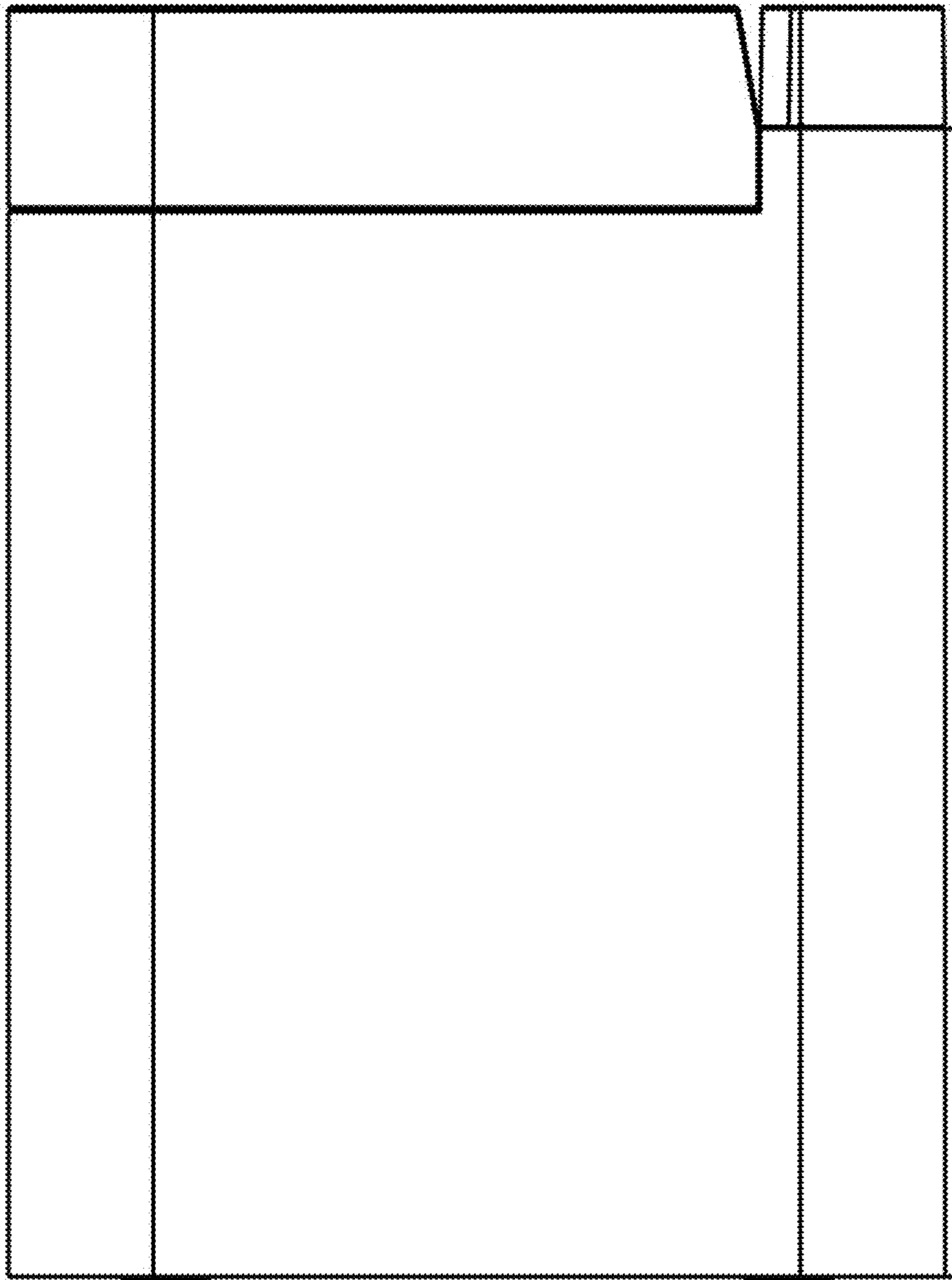


Fig. 4

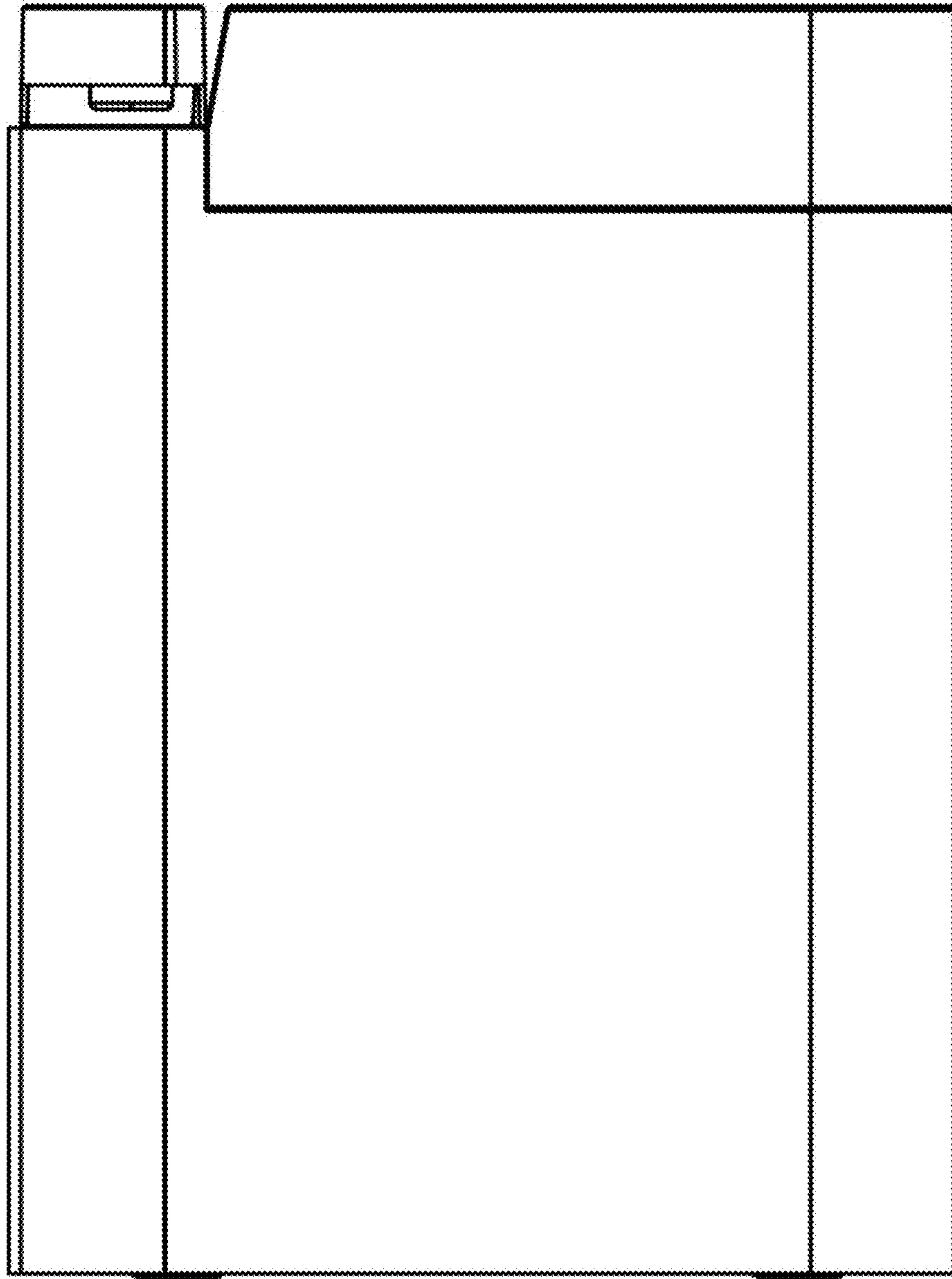


Fig. 5

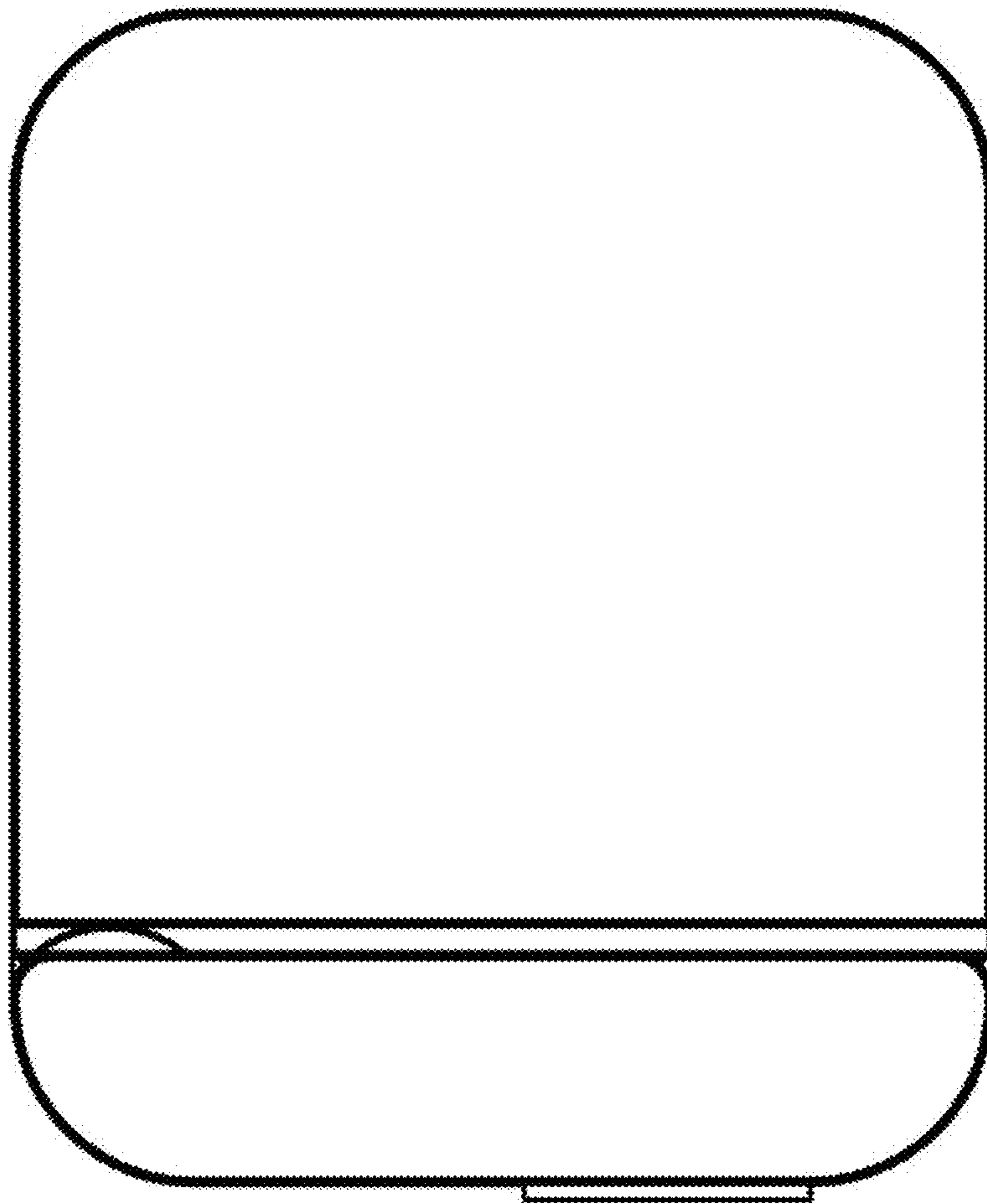


Fig. 6

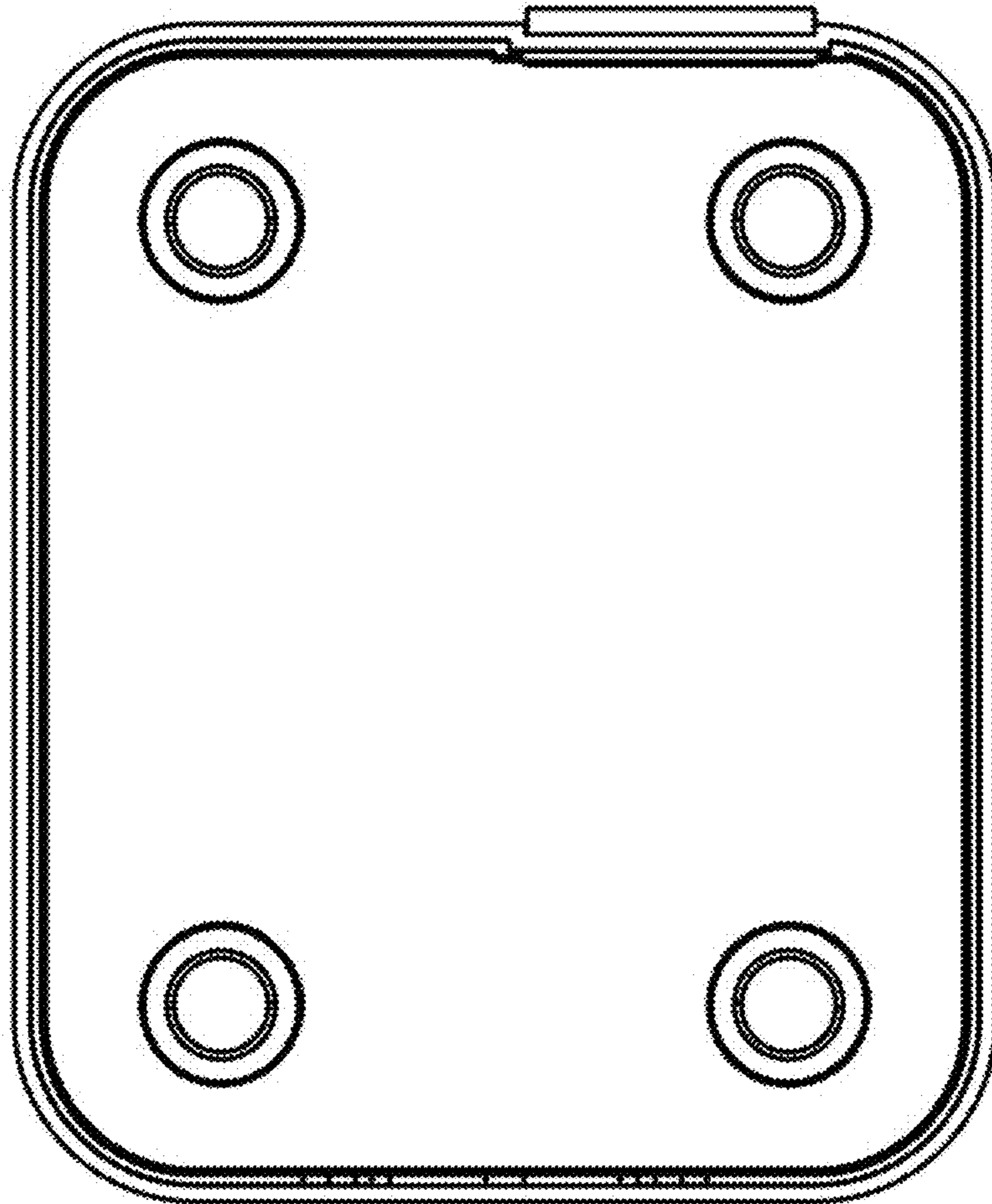


Fig. 7



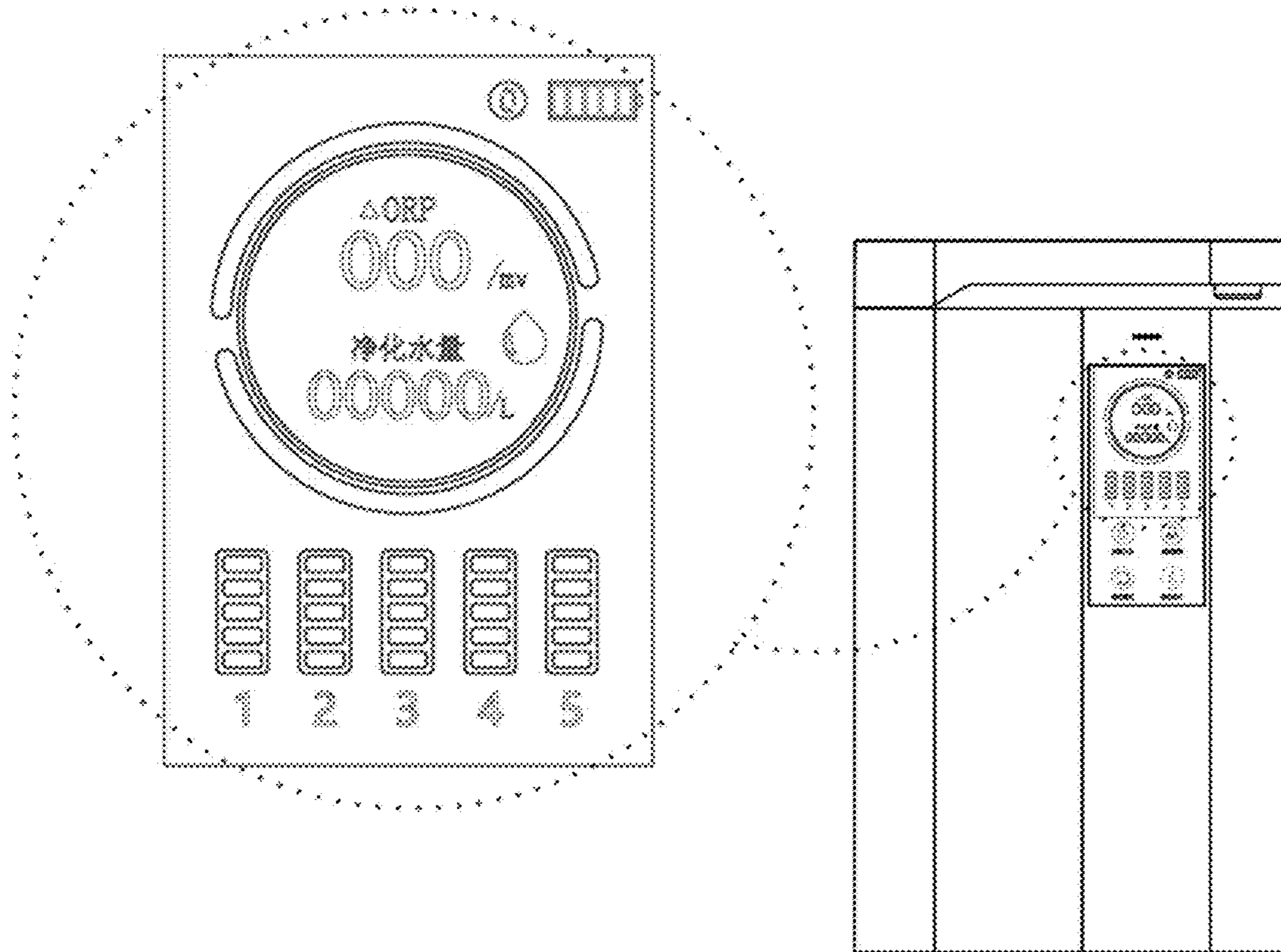


Fig. 8

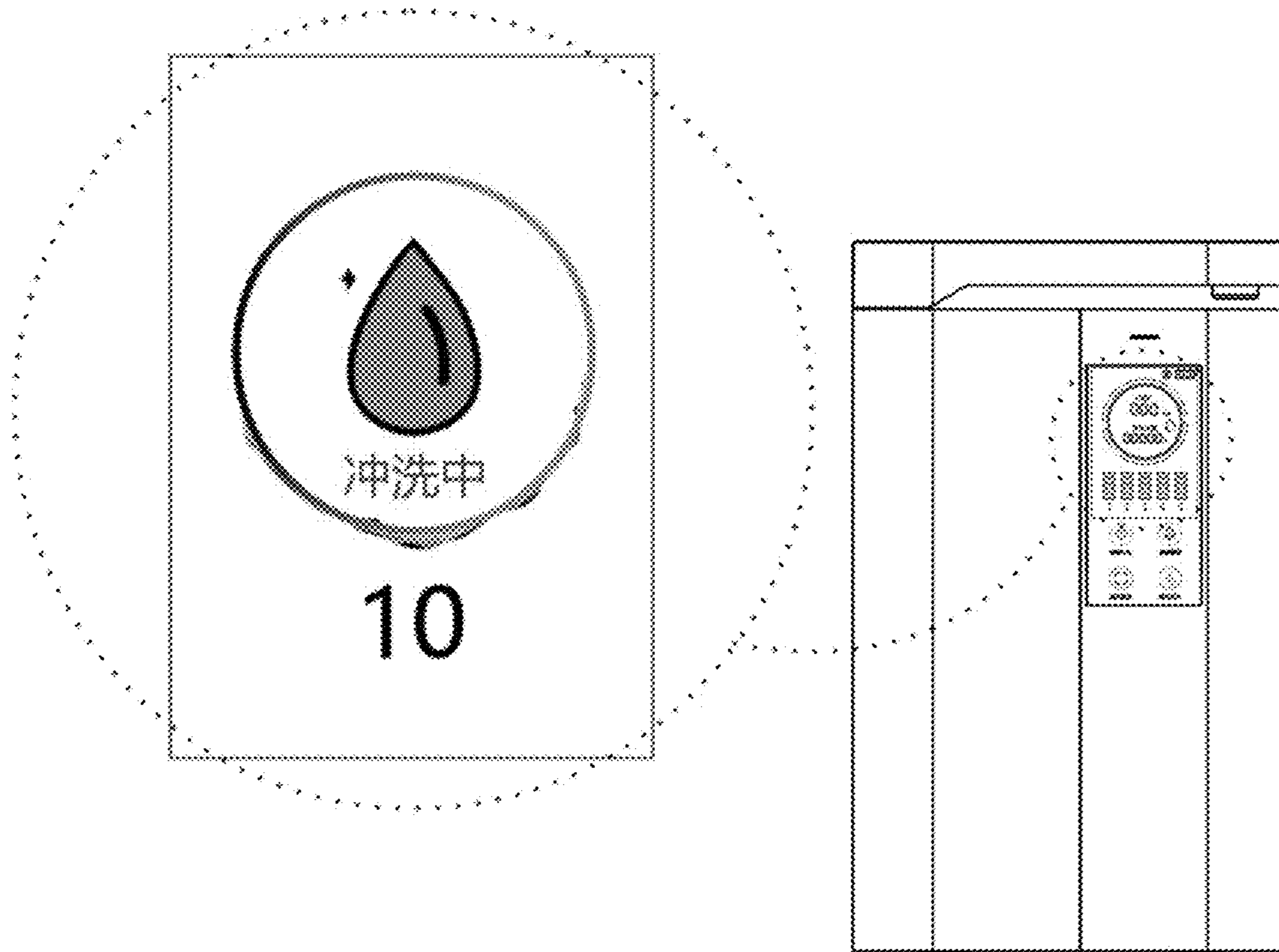


Fig. 9

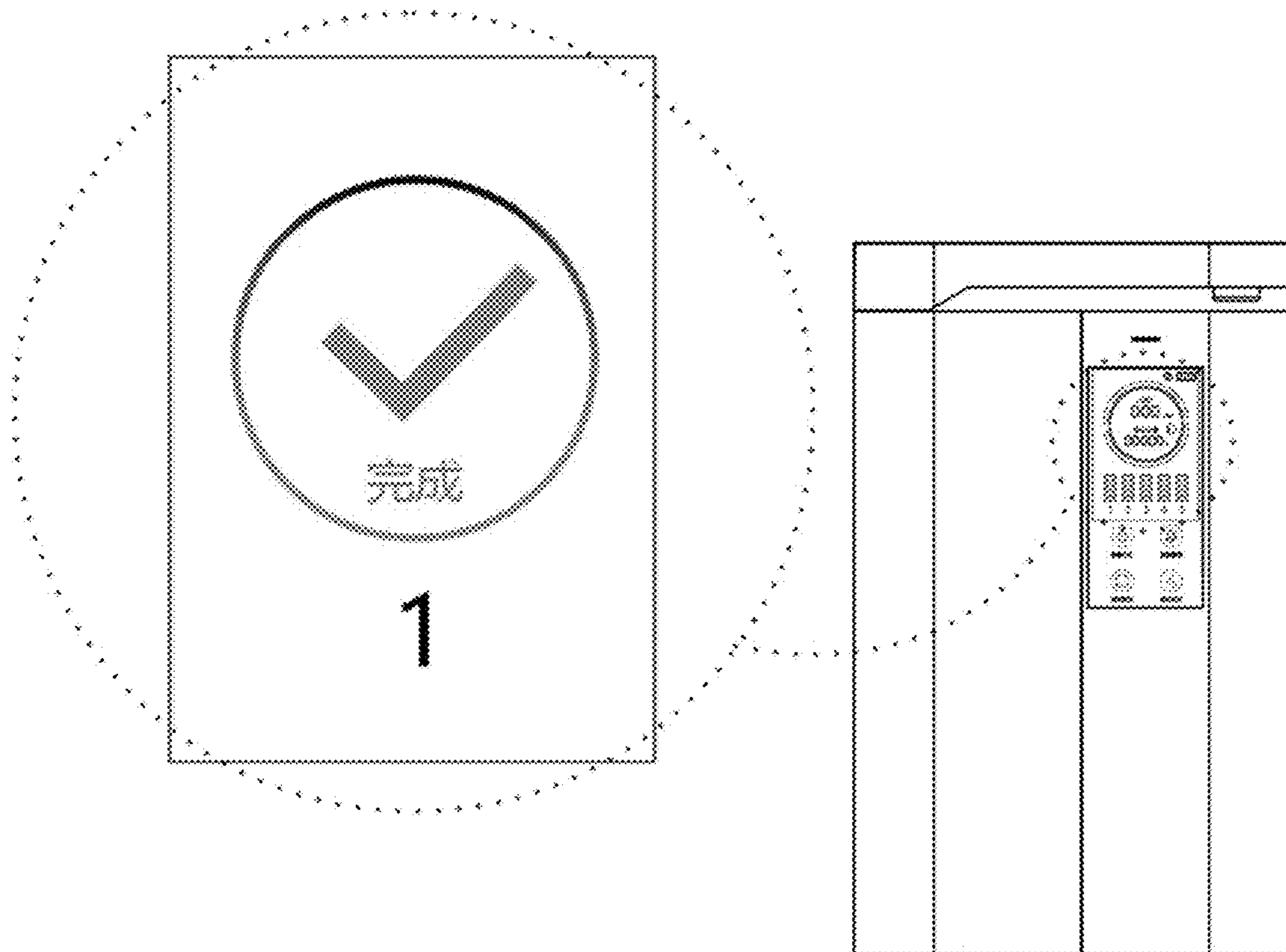


Fig. 10