



US00D844098S

(12) **United States Design Patent**  
**Rocha et al.**

(10) **Patent No.:** **US D844,098 S**  
(45) **Date of Patent:** **\*\* Mar. 26, 2019**

- (54) **PLUG IN INSECT TRAP**
- (71) Applicant: **Dynamic Solutions Worldwide, LLC**,  
Milwaukee, WI (US)
- (72) Inventors: **Juan J. Rocha**, Lake Forest, IL (US);  
**Robert A. Seaton**, Verona, WI (US)
- (73) Assignee: **Dynamic Solutions Worldwide, LLC**,  
Milwaukee, WI (US)
- (\*\*) Term: **15 Years**
- (21) Appl. No.: **29/661,341**
- (22) Filed: **Aug. 27, 2018**

D406,872 S *	3/1999	Miller	.....	D22/119
6,886,292 B2 *	5/2005	Studer	.....	A01M 1/026 43/112
D581,479 S *	11/2008	Caserta	.....	D22/123
D597,166 S *	7/2009	Hong	.....	D22/122
7,922,104 B2 *	4/2011	Zlotnik	.....	A61L 9/127 D23/366
D786,390 S *	5/2017	Kim	.....	D22/122
D797,883 S *	9/2017	Dalmau Arnal	.....	D22/122

\* cited by examiner

*Primary Examiner* — Catherine R Oliver-Garcia  
(74) *Attorney, Agent, or Firm* — Boyle Fredrickson S.C.

(57) **CLAIM**

The ornamental design for a plug in insect trap, substantially as shown and described.

**DESCRIPTION**

FIG. 1 is a top, rear side isometric view of a plug in insect trap according to the present invention with a light bulb installed within the trap;

FIG. 2 is a rear elevation view of the plug in insect trap of FIG. 1;

FIG. 3 is a front elevation view of the plug in insect trap of FIG. 1;

FIG. 4 is a left side elevation view of the plug in insect trap of FIG. 1;

FIG. 5 is a right side elevation view of the plug in insect trap of FIG. 1;

FIG. 6 is a top plan view of the plug in insect trap of FIG. 1; and,

FIG. 7 is a bottom plan view of the plug in insect trap of FIG. 1.

The broken lines are for illustrative purposes and represent environmental structure and unclaimed portions of the invention and therefore form no part of the claimed design.

**1 Claim, 7 Drawing Sheets**

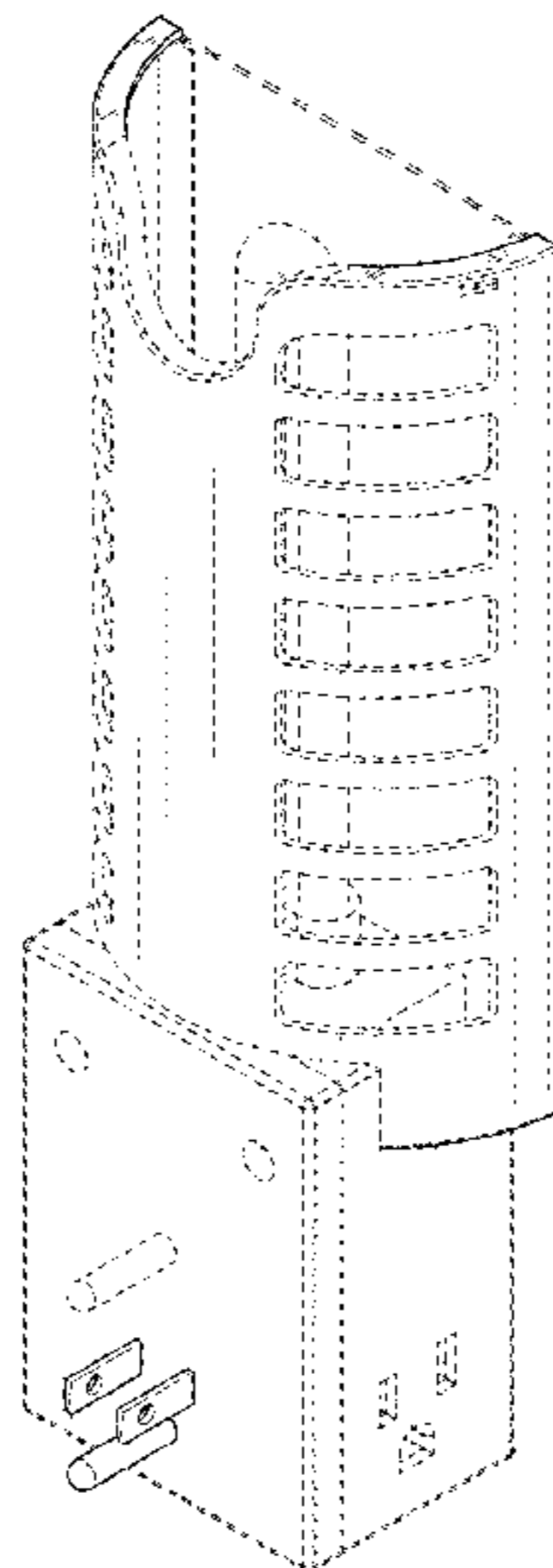
**Related U.S. Application Data**

- (63) Continuation of application No. 29/611,060, filed on Jul. 18, 2017, now Pat. No. Des. 829,302.
- (51) **LOC (11) Cl.** ..... **22-06**
- (52) **U.S. Cl.**  
USPC ..... **D22/122**
- (58) **Field of Classification Search**  
USPC ..... D22/119–124; 43/112–113, 122, 124,  
43/129, 131, 132.1, 144; D23/366–369  
CPC ..... A01M 1/02; A01M 1/04; A01M 1/00;  
A01M 1/223; A01M 1/145; A01M  
2200/012; A61L 9/127  
See application file for complete search history.

(56) **References Cited**

**U.S. PATENT DOCUMENTS**

4,074,457 A *	2/1978	Sato	.....	A01M 1/145 43/113
5,274,949 A *	1/1994	Beaton	.....	A01M 1/04 43/113
D357,725 S *	4/1995	Biasetti	.....	D22/122



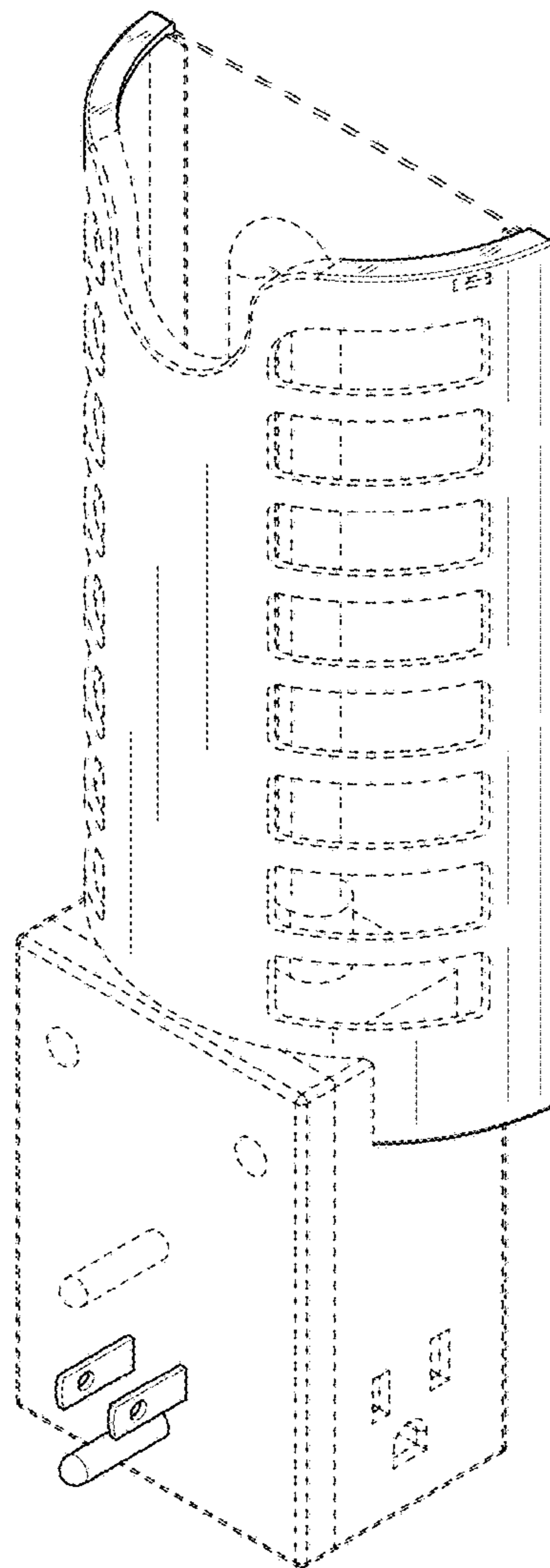


FIG. 1

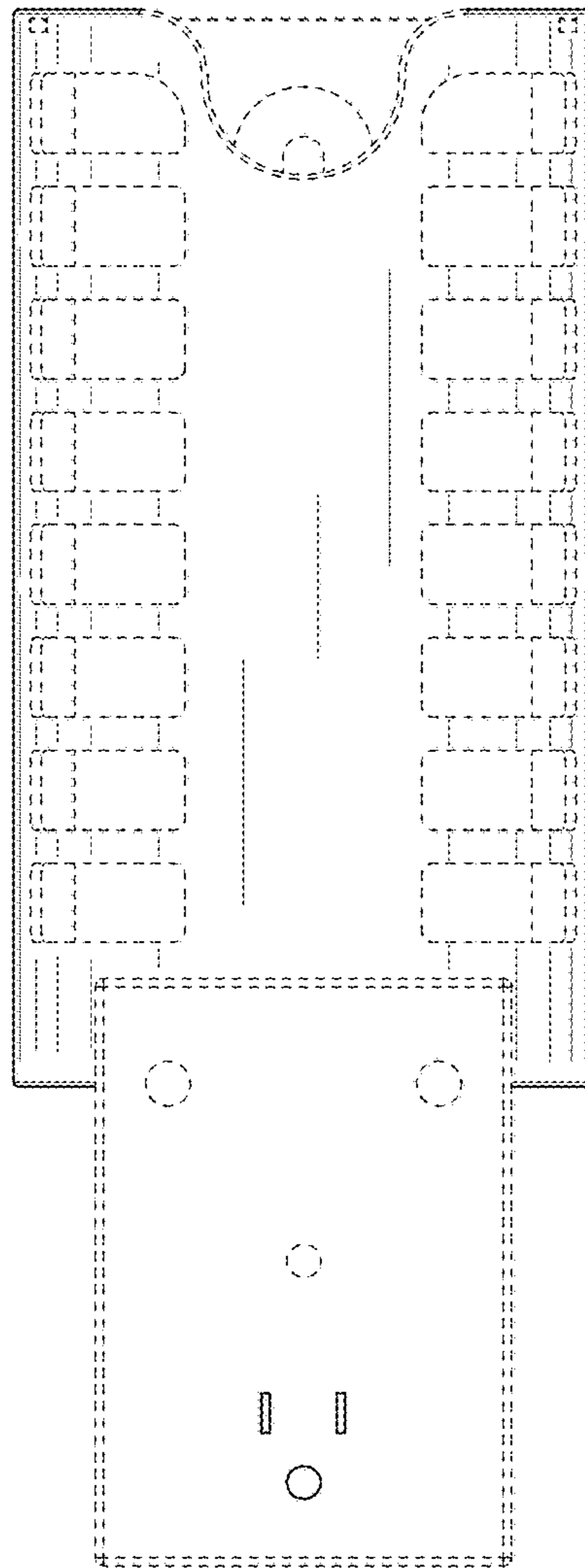


FIG. 2

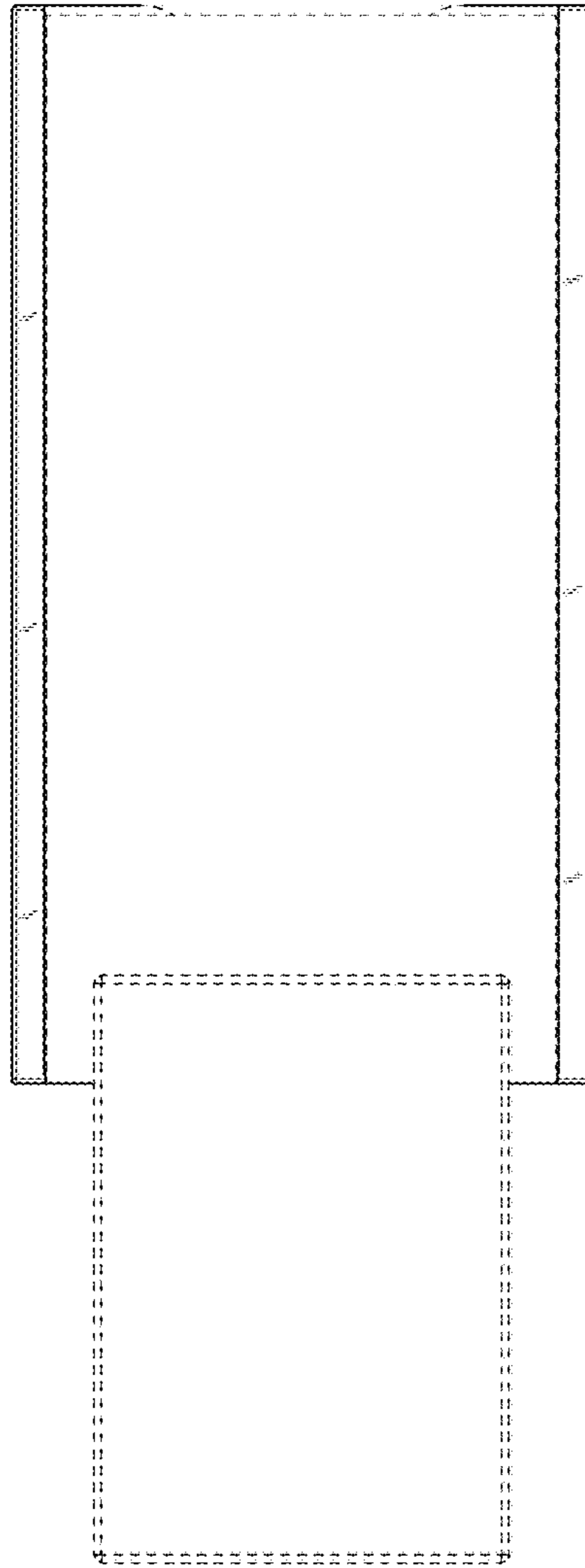


FIG. 3

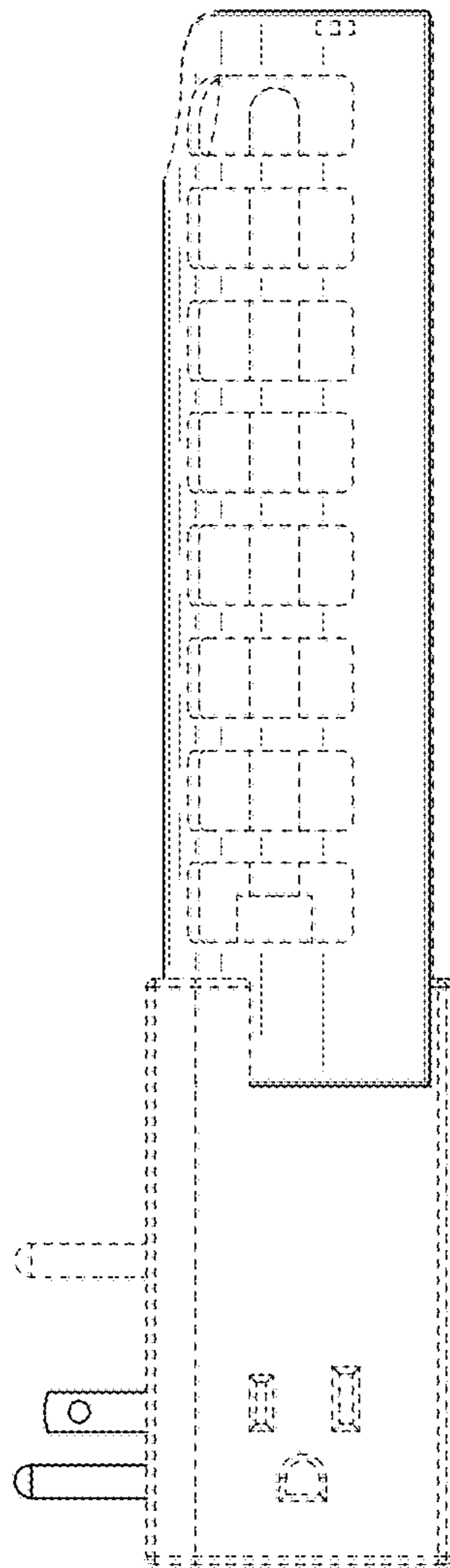


FIG. 4

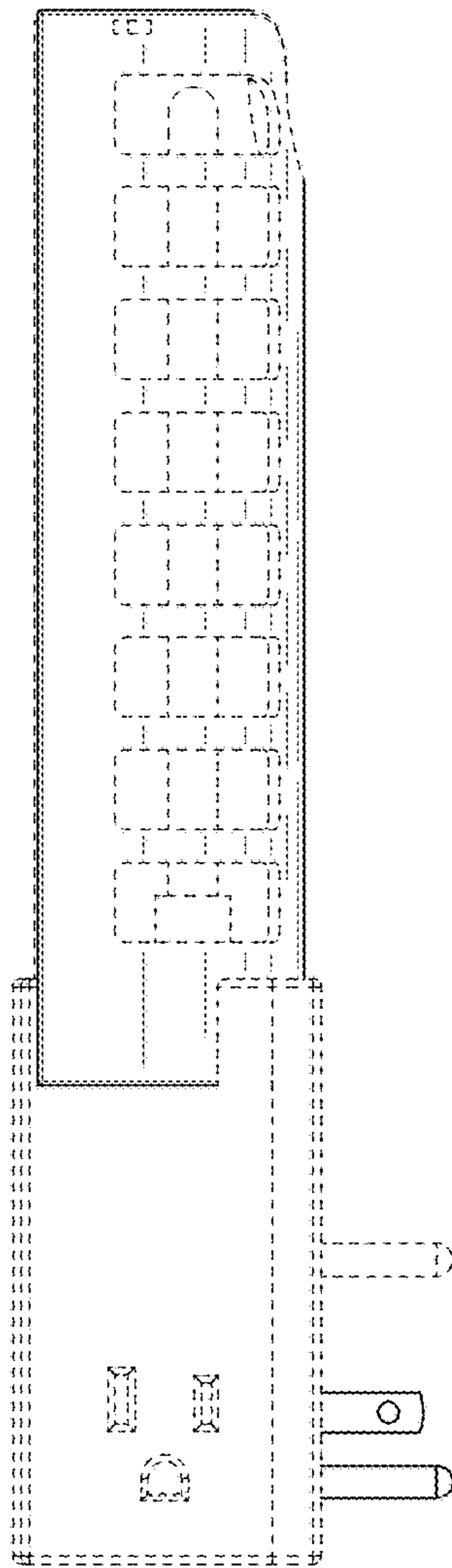


FIG. 5

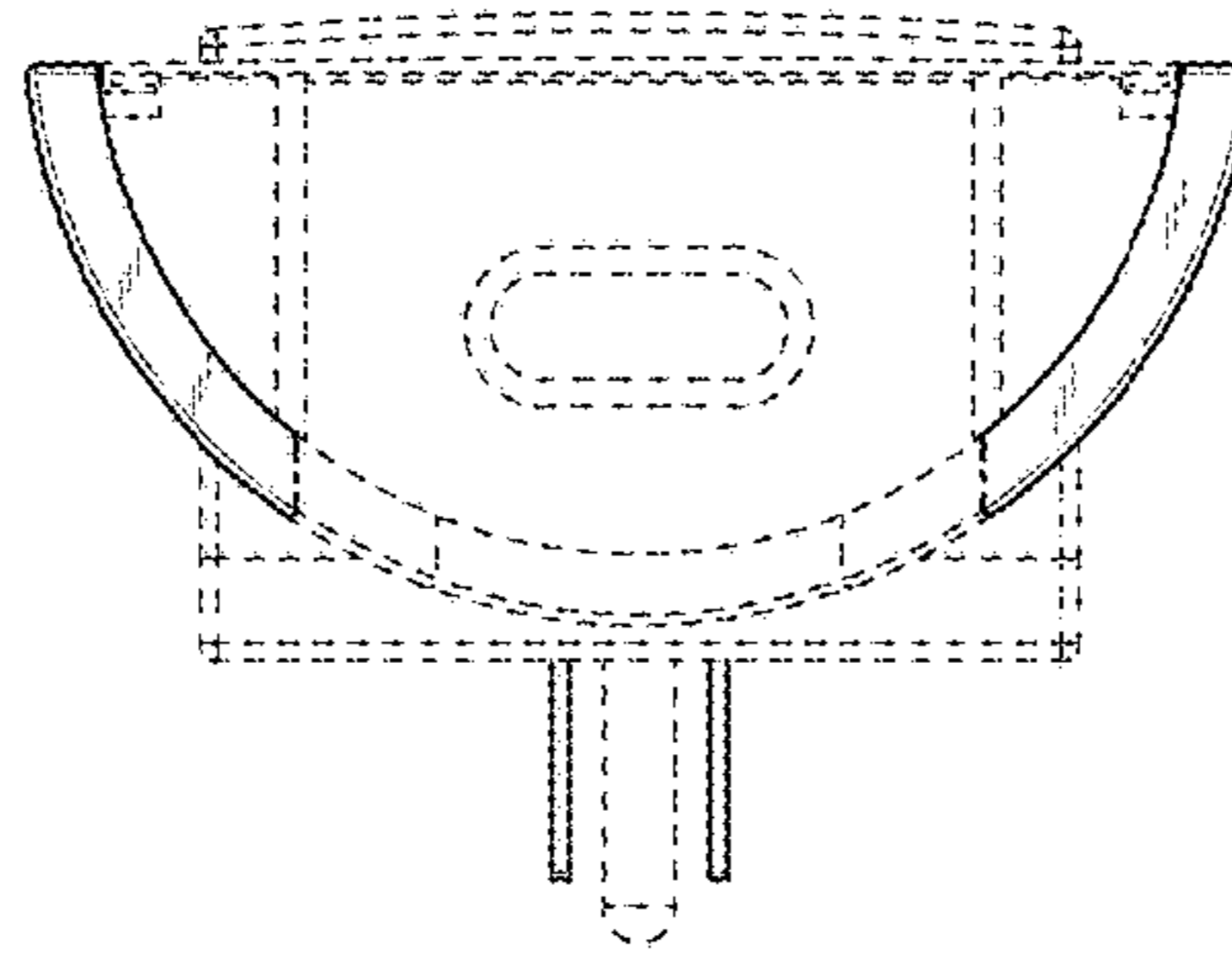


FIG. 6

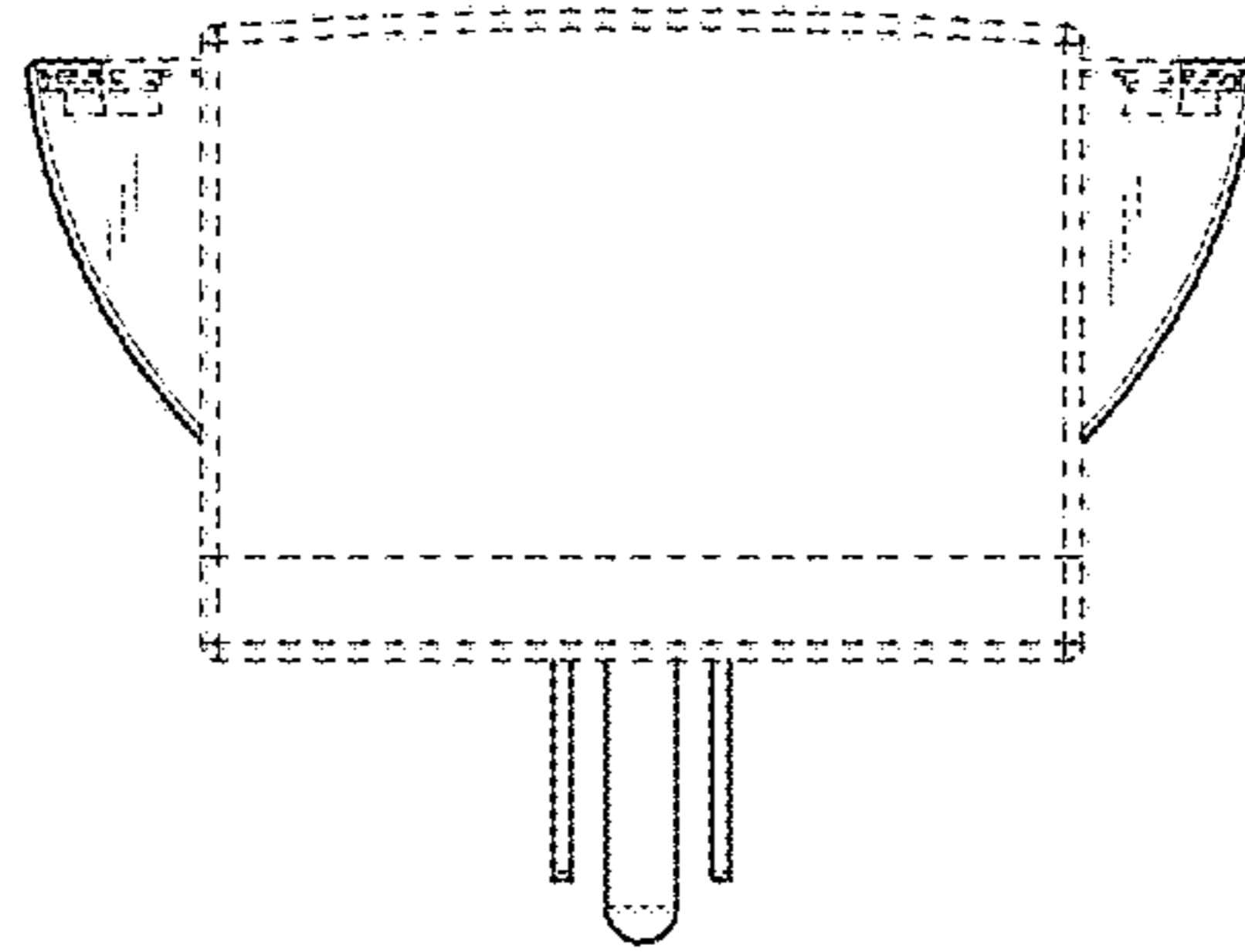


FIG. 7