



US00D844097S

(12) **United States Design Patent** (10) **Patent No.:** **US D844,097 S**
Rocha et al. (45) **Date of Patent:** **** Mar. 26, 2019**

(54) **INSECT TRAP HOUSING**

(71) Applicant: **Dynamic Solutions Worldwide, LLC**,
Milwaukee, WI (US)

(72) Inventors: **Juan J. Rocha**, Lake Forest, IL (US);
Robert A. Seaton, Verona, WI (US)

(73) Assignee: **Dynamic Solutions Worldwide, LLC**,
Milwaukee, WI (US)

(**) Term: **15 Years**

(21) Appl. No.: **29/622,107**

(22) Filed: **Oct. 13, 2017**

(51) **LOC (11) Cl.** **22-06**

(52) **U.S. Cl.**
USPC **D22/122**

(58) **Field of Classification Search**
USPC D22/119–124; D26/37, 40; 43/107,
43/112–113, 121–122, 124, 131, 132.1;
362/179; 431/253
CPC A01M 1/14; A01M 1/2011; A01M 1/2016;
A01M 2200/011; A01M 2200/012
See application file for complete search history.

(56) **References Cited**

U.S. PATENT DOCUMENTS

3,864,867	A *	2/1975	Dry	A01M 1/14
					43/131
4,603,505	A *	8/1986	Millard	A01M 1/04
					362/179
4,785,573	A *	11/1988	Millard	A01M 1/04
					362/179
D612,447	S *	3/2010	Galili	D22/123
D819,773	S *	6/2018	Rocha	D22/122

OTHER PUBLICATIONS

Design U.S. Appl. No. 29/570,815 for “Insect Trap Housing”; filed Jul. 12, 2016; 22 pages.
Design U.S. Appl. No. 29/611,062 for “Insect Trap Housing”; filed Jul. 18, 2017; 21 pages.
Design U.S. Appl. No. 29/608,946 for “Insect Trap Housing”; filed Jun. 27, 2017; 21 pages.

* cited by examiner

Primary Examiner — Catherine R Oliver-Garcia
(74) *Attorney, Agent, or Firm* — Boyle Fredrickson S.C.

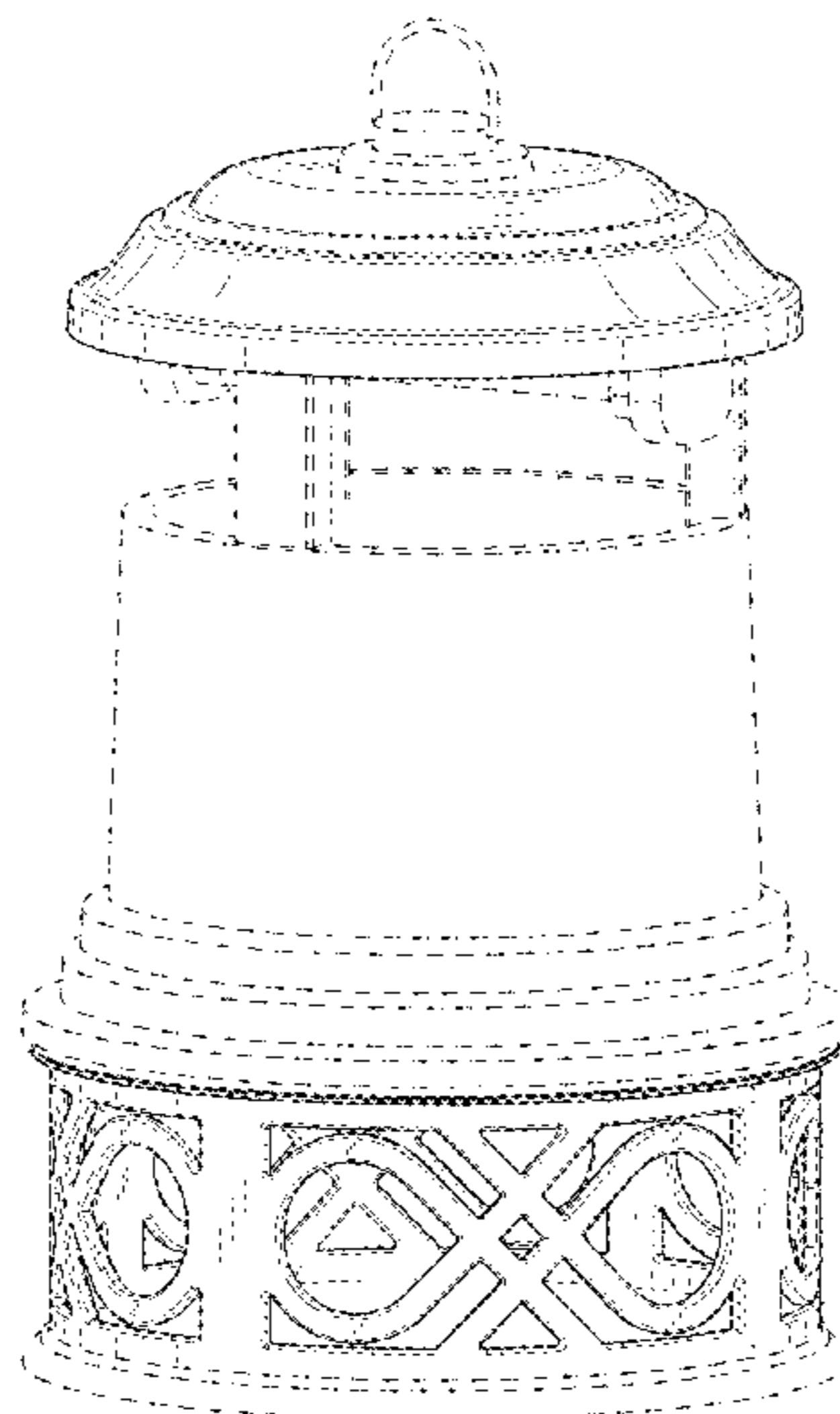
(57) **CLAIM**

The ornamental design for an insect trap housing, substantially as shown and described.

DESCRIPTION

FIG. 1 is a front, right side isometric view of an insect trap housing according to the present invention;
FIG. 2 is a front elevation view of the insect trap housing of FIG. 1 with a light bulb installed within the housing;
FIG. 3 is a rear elevation view of the insect trap housing of FIG. 1 with a light bulb installed within the housing;
FIG. 4 is a left side elevation view of the insect trap housing of FIG. 1 with a light bulb installed within the housing;
FIG. 5 is a right side elevation view of the insect trap housing of FIG. 1 with a light bulb installed within the housing;
FIG. 6 is a top plan view of the insect trap housing of FIG. 1; and,
FIG. 7 is a bottom plan view of the insect trap housing of FIG. 1.
The broken lines are for illustrative purposes and represent environmental structure and unclaimed portions of the invention and therefore form no part of the claimed design.

1 Claim, 7 Drawing Sheets



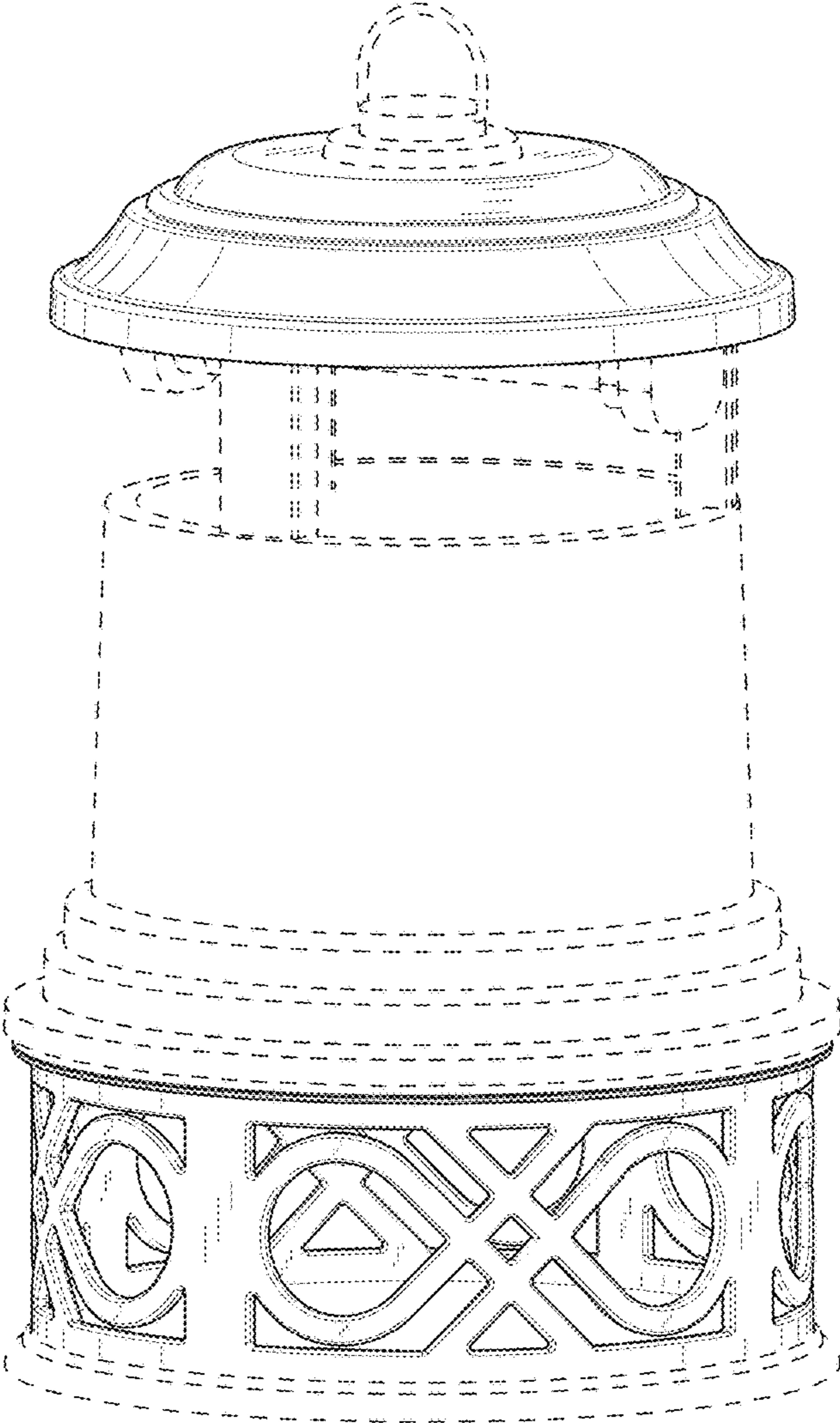


FIG. 1

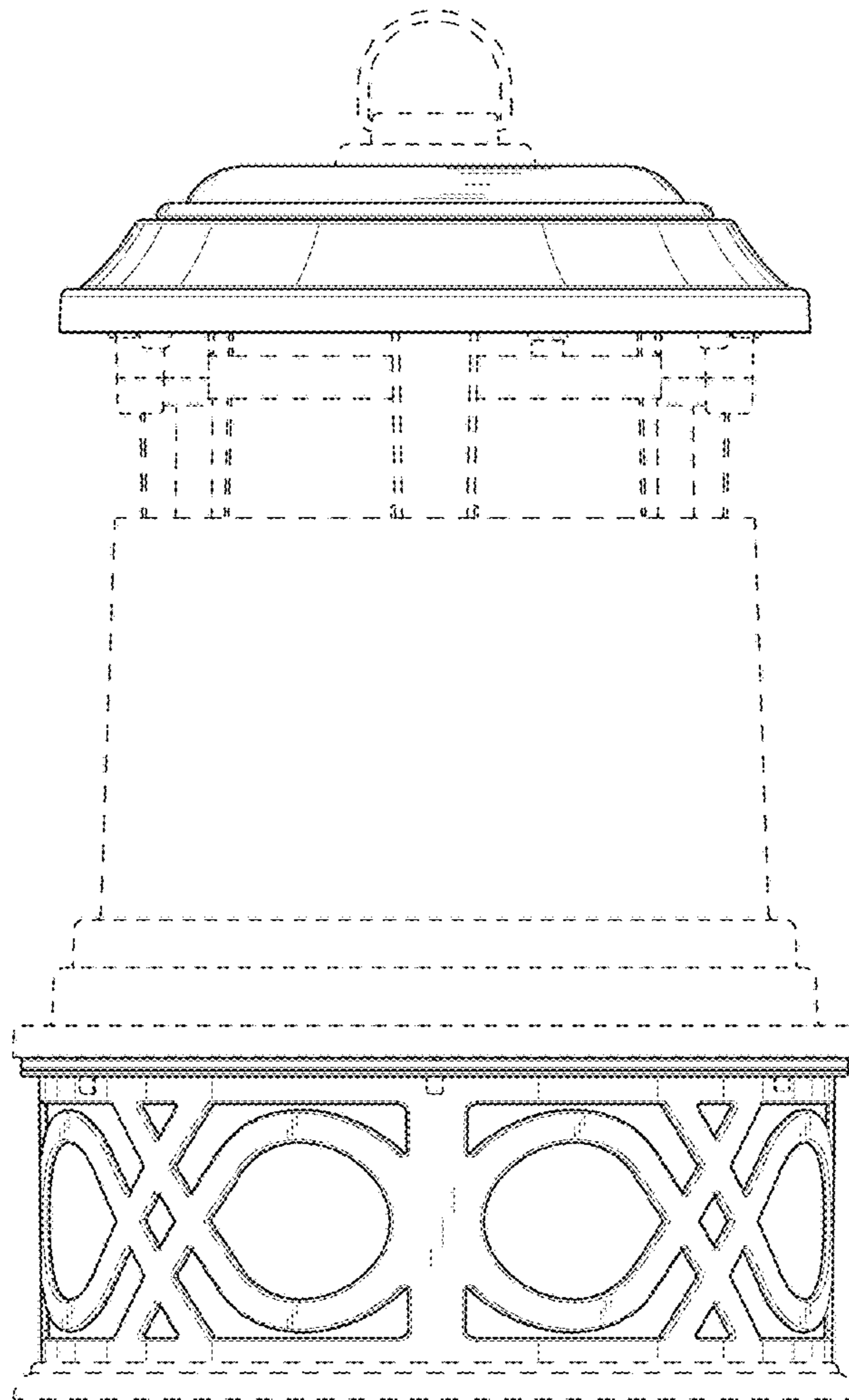


FIG. 2

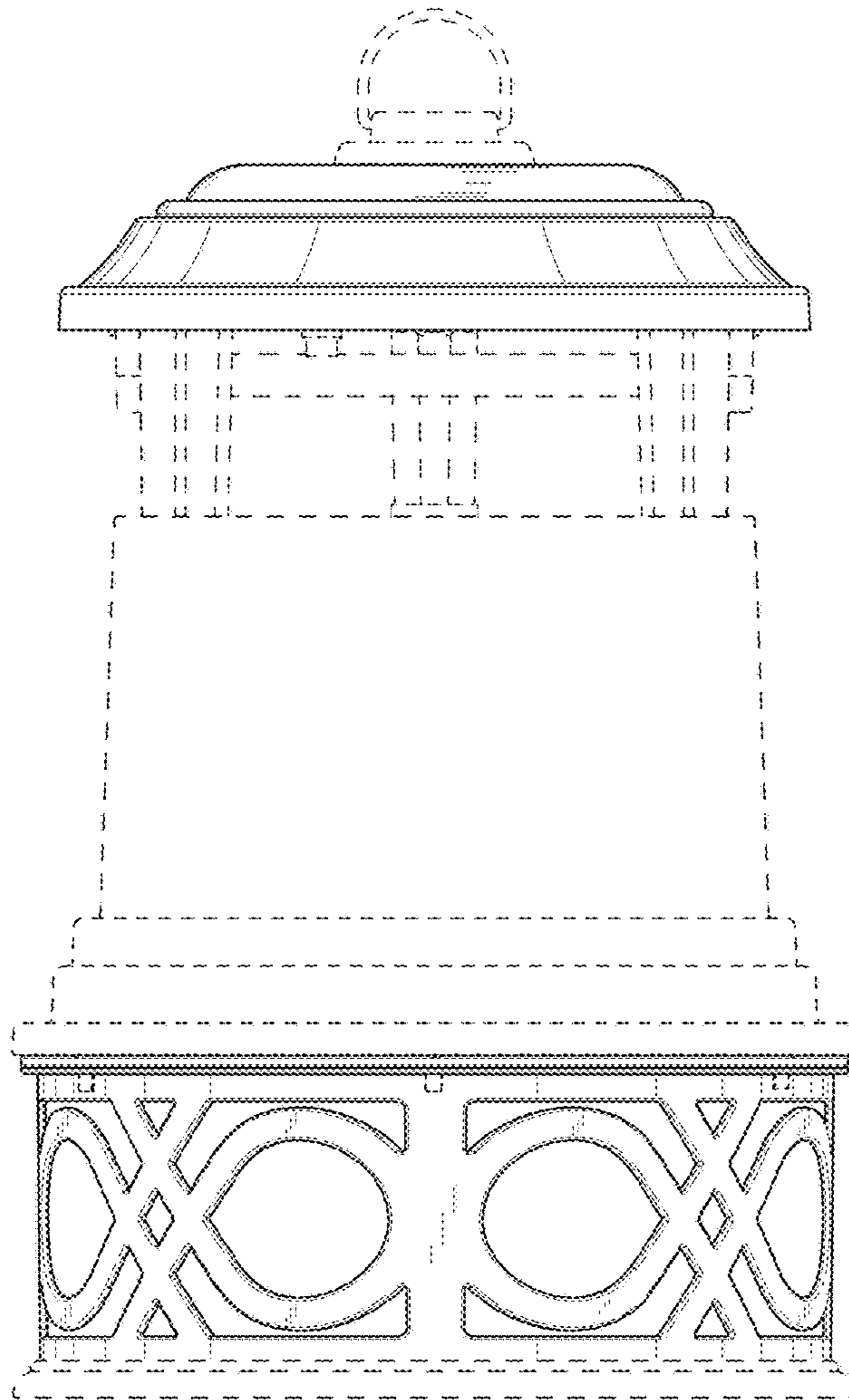


FIG. 3

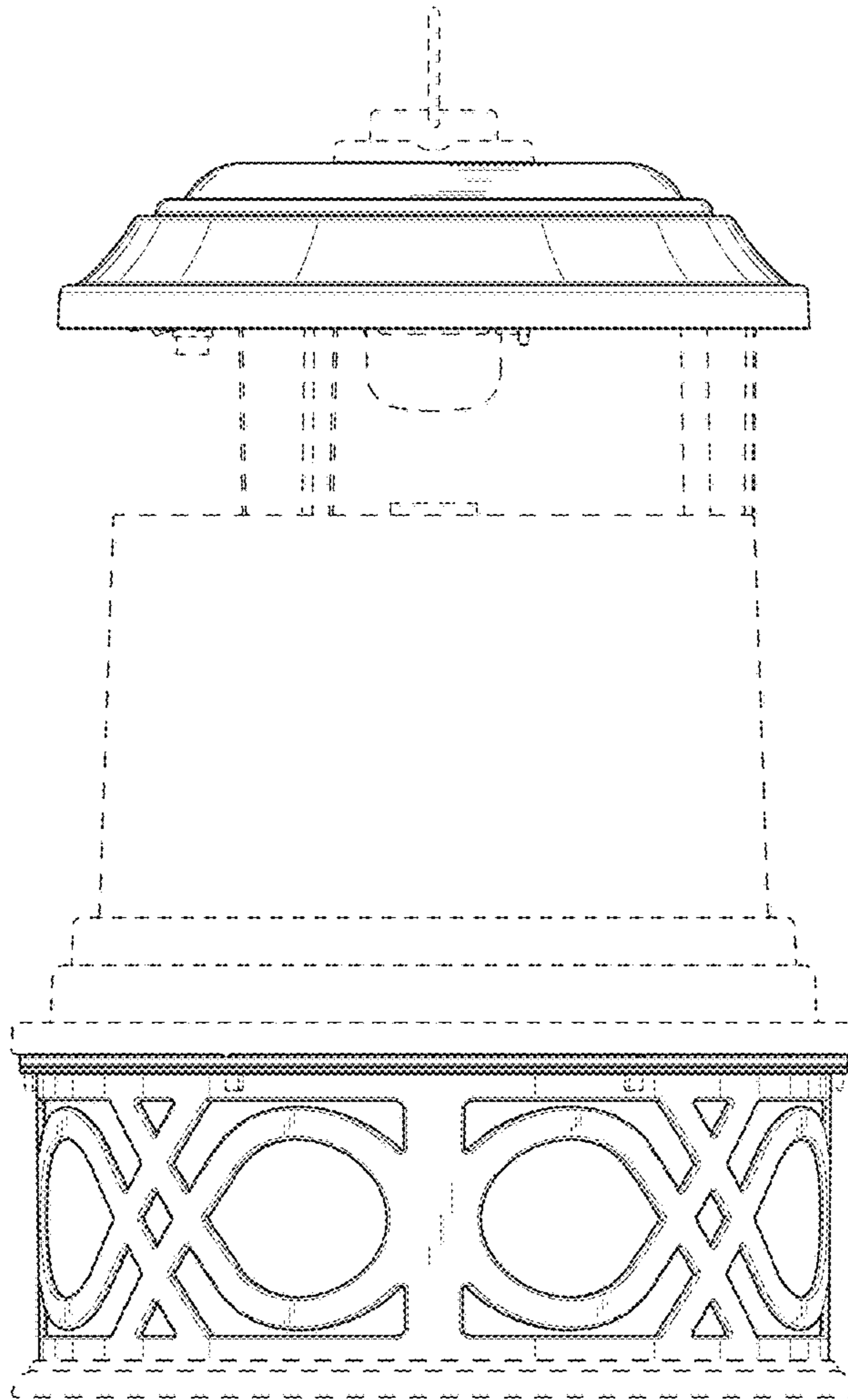


FIG. 4

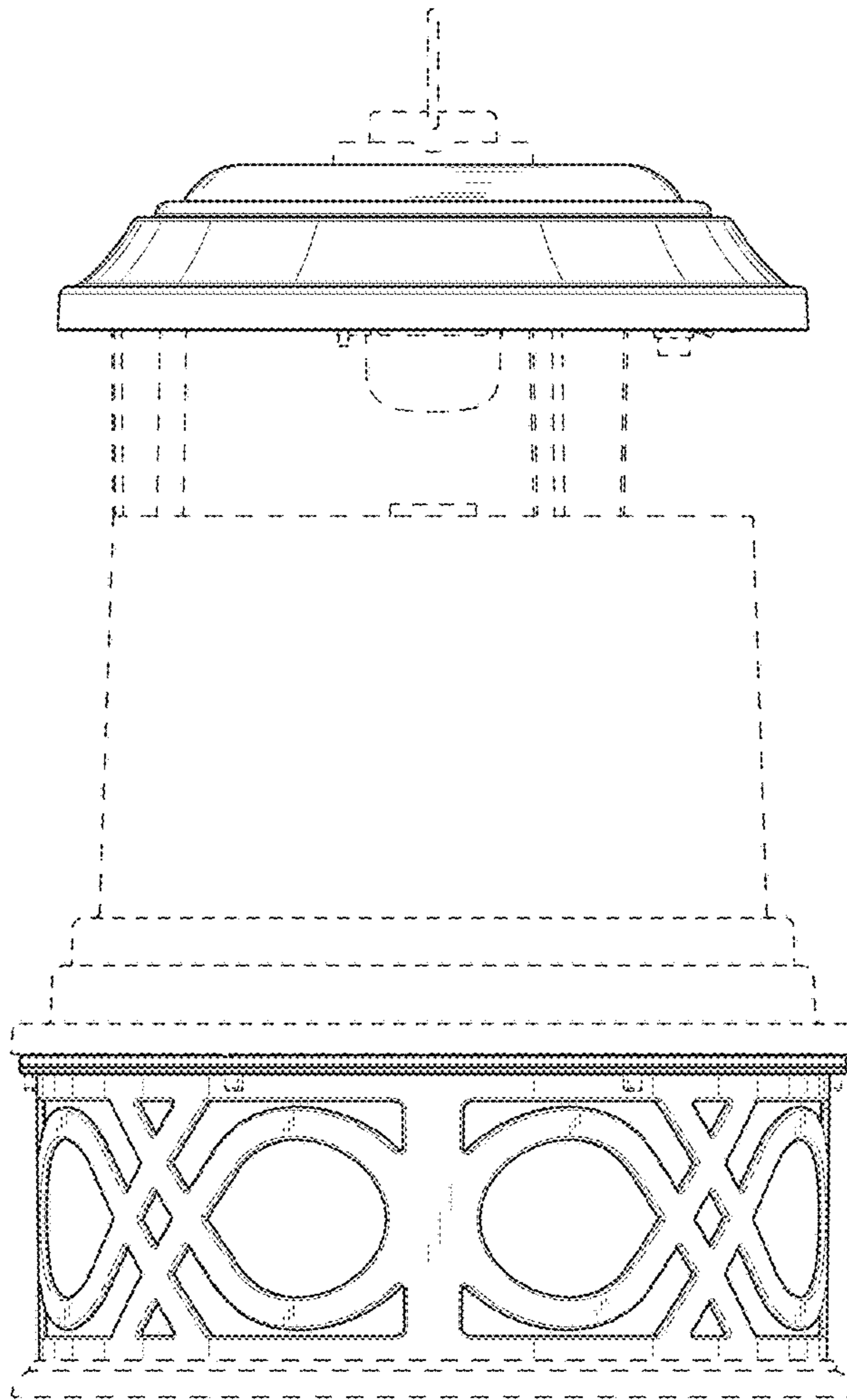


FIG. 5

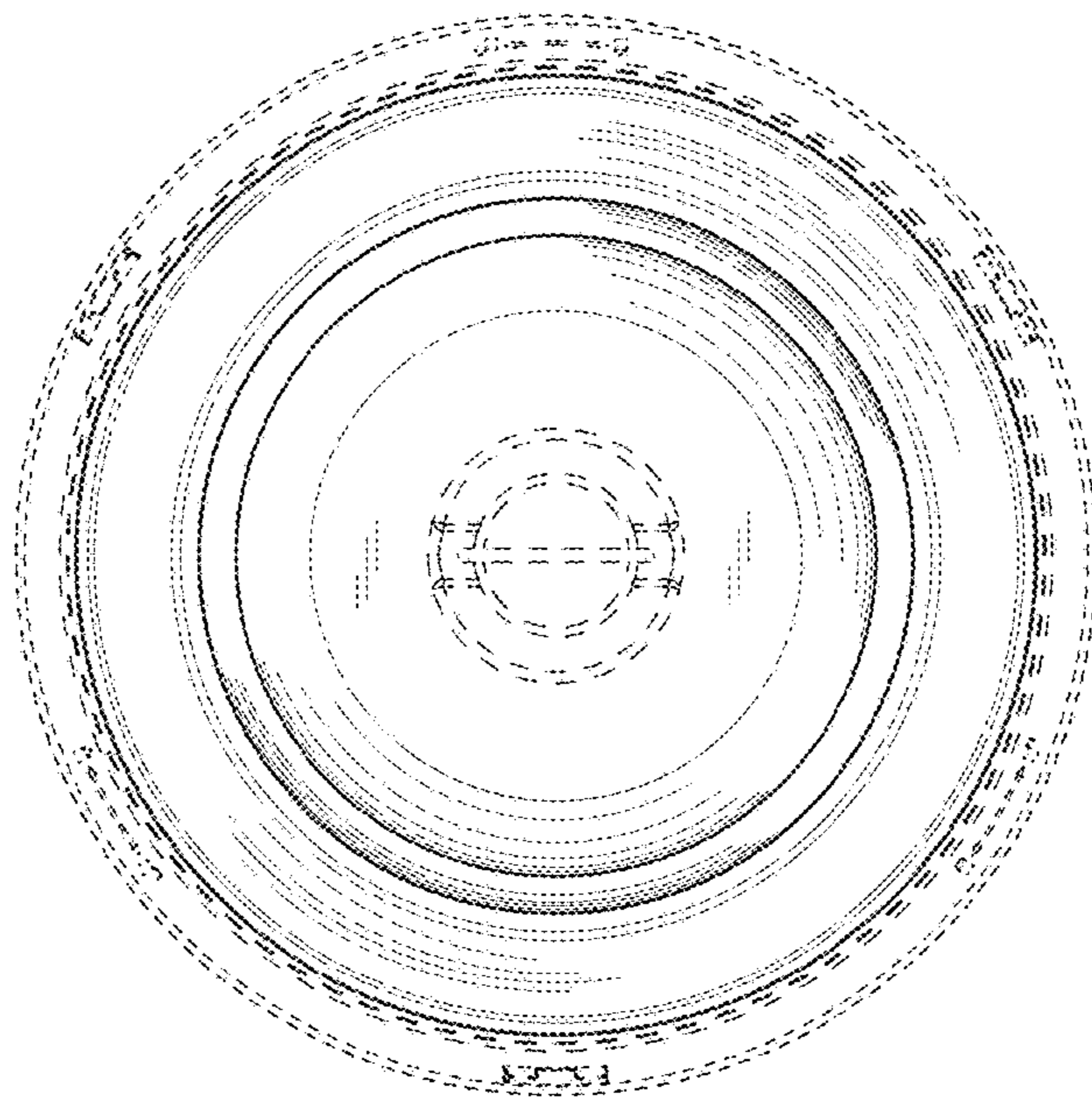


FIG. 6

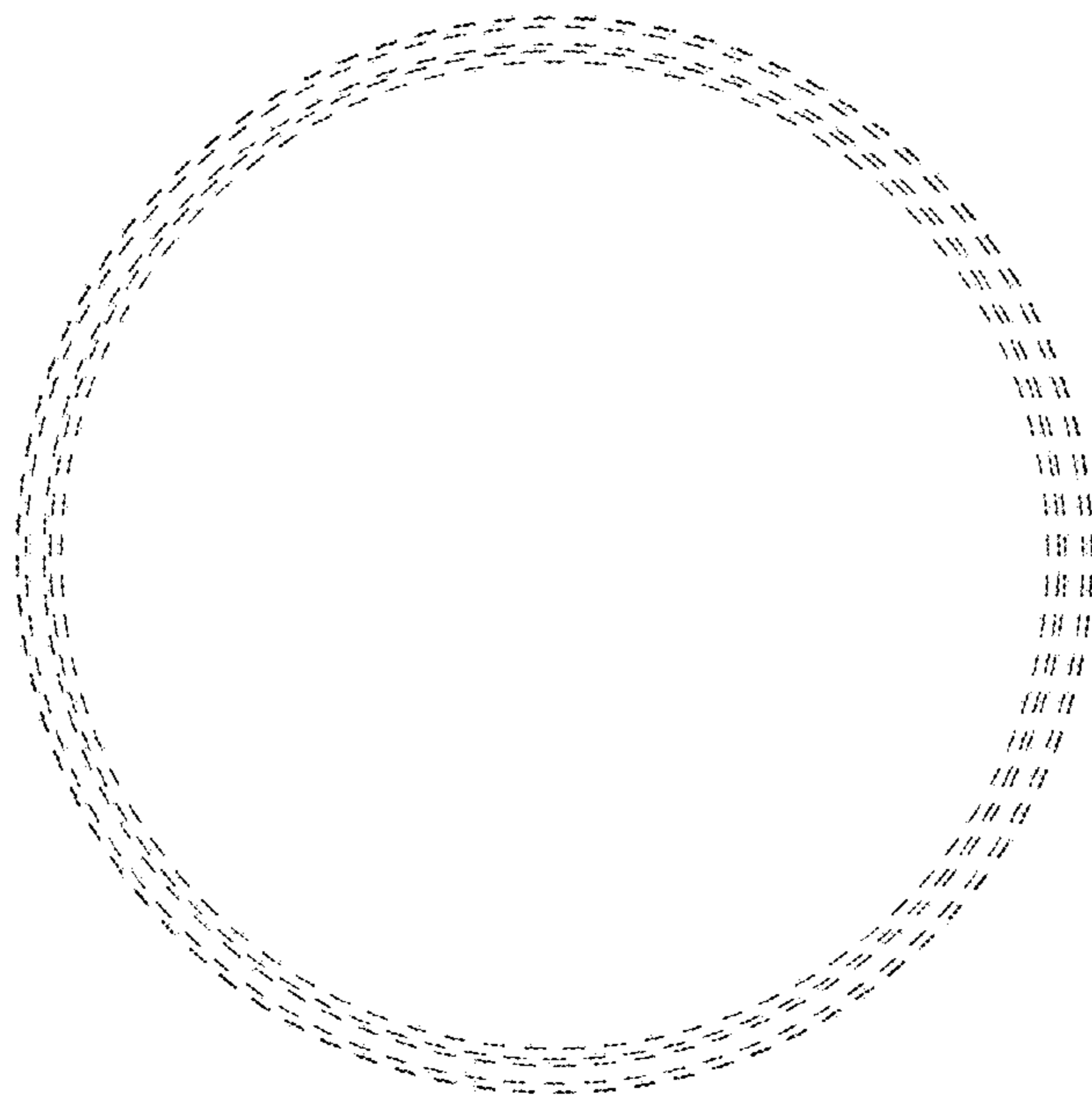


FIG. 7