



US00D844096S

(12) **United States Design Patent** (10) **Patent No.:** **US D844,096 S**
McKillips et al. (45) **Date of Patent:** **** Mar. 26, 2019**

(54) **KNIFE AND SHEATH**
(71) Applicant: **WHG Properties, LLC**, North Wales, PA (US)
(72) Inventors: **Neal McKillips**, Drexel Hill, PA (US); **Frank E. Robinson**, Schwenksville, PA (US); **William H. Geissele**, Lower Gwynedd, PA (US); **Louis Goodman**, Wartburg, TN (US)
(73) Assignee: **WHG Properties, LLC**, North Wales, PA (US)

5,086,561 A 2/1992 Nathan
D334,791 S 4/1993 Collins
5,255,436 A 10/1993 Yoshida
5,647,130 A 7/1997 Collins
D384,724 S 10/1997 Uke et al.
6,053,929 A 4/2000 Cohn et al.
D448,442 S 9/2001 Cheng
D491,622 S * 6/2004 Hadley D22/118
D558,851 S * 1/2008 Onion D22/118
D610,646 S * 2/2010 Harsey, Jr. D22/118
D704,793 S * 5/2014 Dahan D22/118
D709,982 S * 7/2014 Freeman D22/118
D809,786 S * 2/2018 Dingel D3/220
D813,341 S * 3/2018 Jaramus D22/118
2013/0026054 A1 1/2013 Adams

(**) Term: **15 Years**
(21) Appl. No.: **29/649,068**
(22) Filed: **May 25, 2018**

* cited by examiner

Primary Examiner — Catherine R Oliver-Garcia
(74) *Attorney, Agent, or Firm* — Fox Rothschild LLP

Related U.S. Application Data

(62) Division of application No. 29/589,085, filed on Dec. 28, 2016, now Pat. No. Des. 825,708.
(51) **LOC (11) Cl.** **22-02**
(52) **U.S. Cl.**
USPC **D22/118; D3/220**
(58) **Field of Classification Search**
USPC D22/118; D3/220; 224/232; 30/1, 151, 30/161–162, 164.5; D7/649–651; D8/95–99
CPC B26B 29/025; B26B 3/00
See application file for complete search history.

(57) **CLAIM**

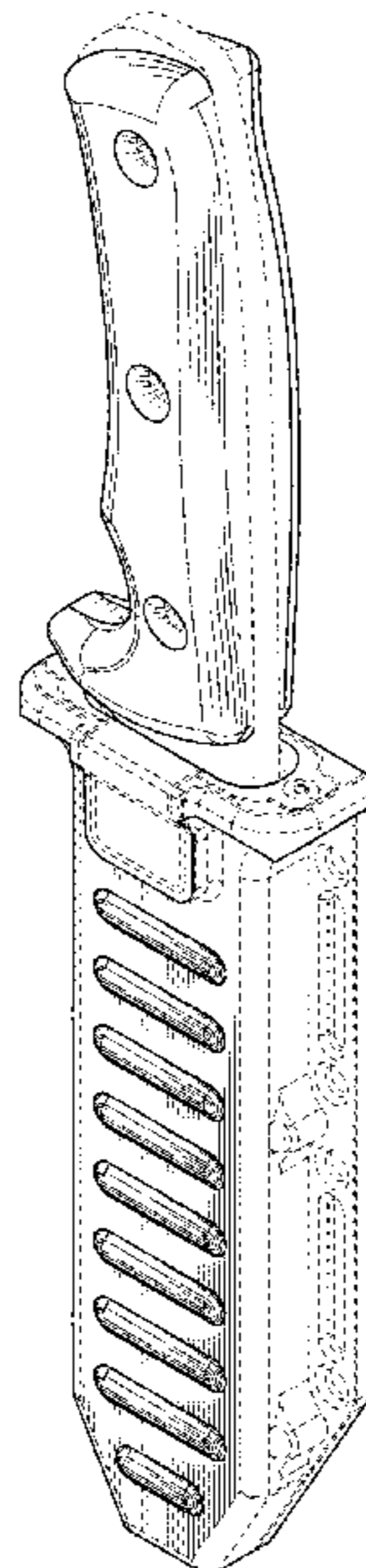
The ornamental design for a knife and sheath, as shown and described.

DESCRIPTION

FIG. 1 is a top, front, right perspective view of a knife and sheath according to the present disclosure.
FIG. 2 is a front view of the knife and sheath of FIG. 1.
FIG. 3 is a rear view of the knife and sheath of FIG. 1.
FIG. 4 is a left view of the knife and sheath of FIG. 1.
FIG. 5 is a right view of the knife and sheath of FIG. 1.
FIG. 6 is a top view of the knife and sheath of FIG. 1.
FIG. 7 is a bottom view of the knife and sheath of FIG. 1; and,
FIG. 8 is a top, front, left perspective view of the knife and sheath of FIG. 1.
The broken lines depict environmental structure and are for illustrative purposes only and form no part of the claimed design.

(56) **References Cited**
U.S. PATENT DOCUMENTS
2,999,268 A 9/1961 Strandengen
4,998,350 A 3/1991 Thompson
D317,037 S 5/1991 Koshiishi

1 Claim, 6 Drawing Sheets



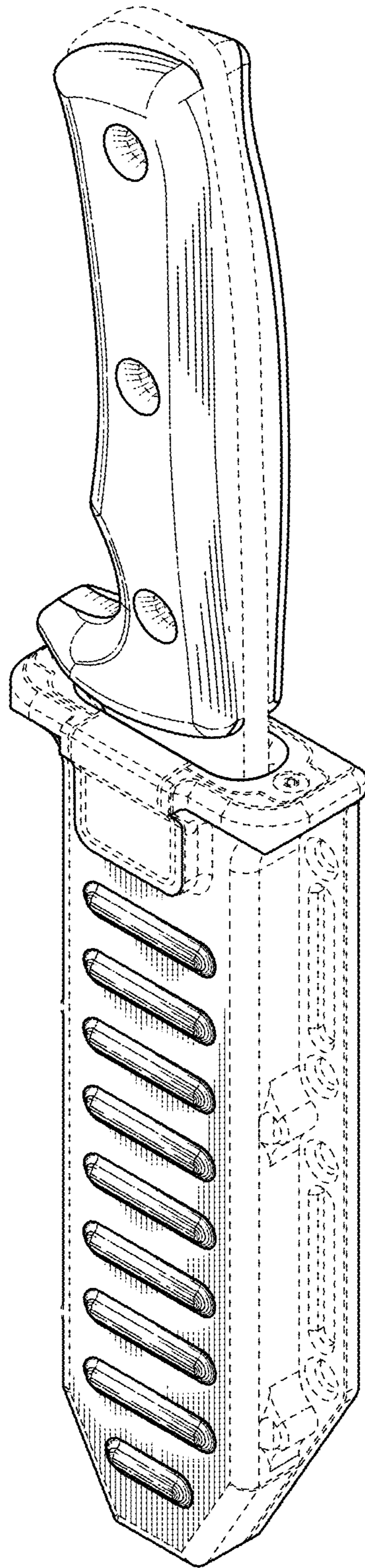


FIG. 1

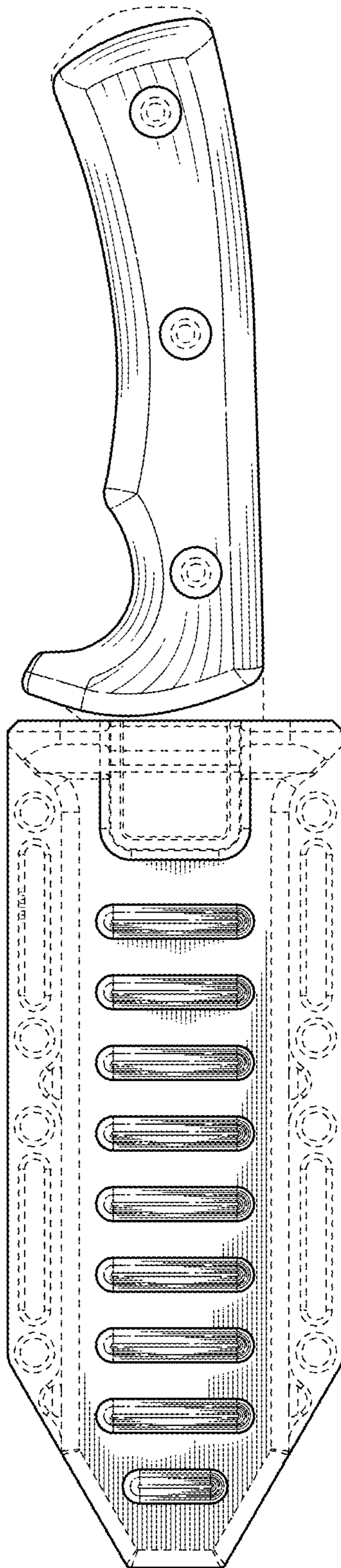


FIG. 2

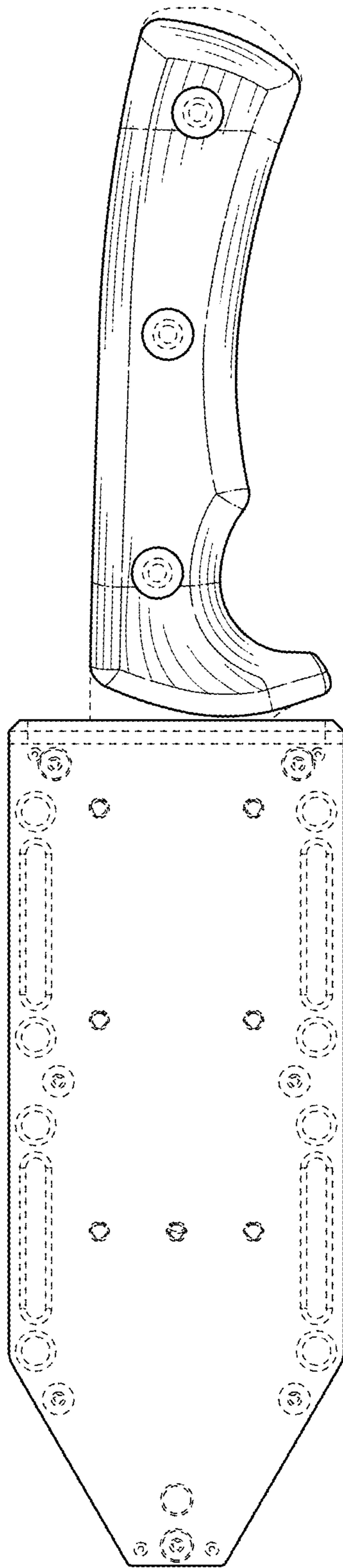


FIG. 3

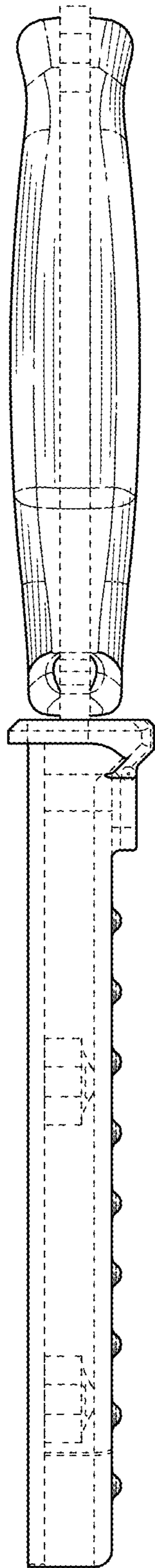


FIG. 4

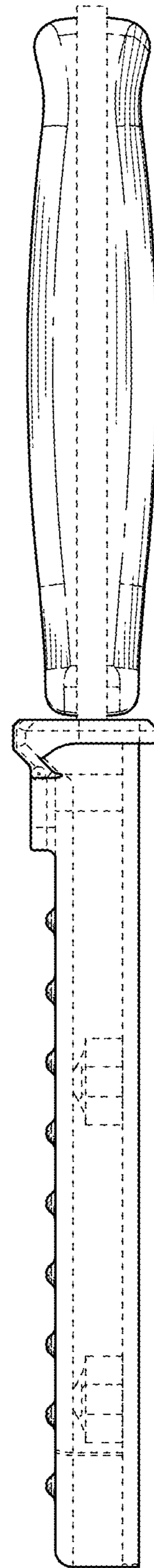


FIG. 5

FIG. 6

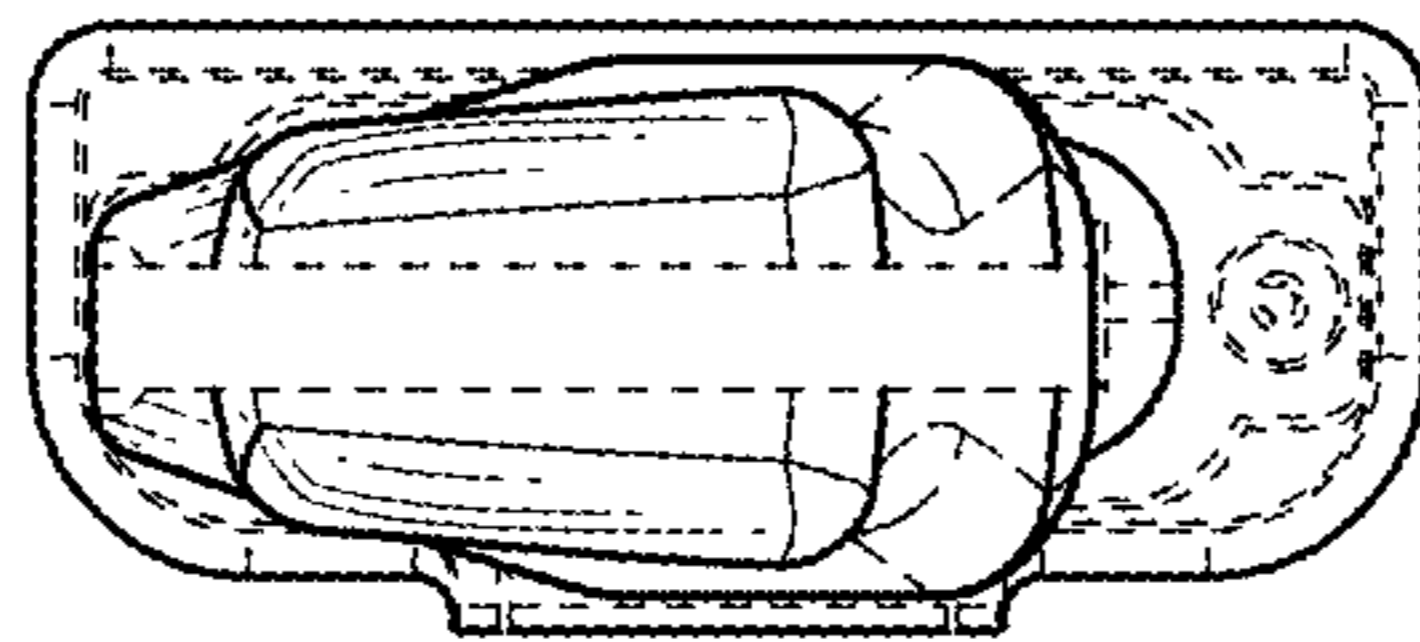
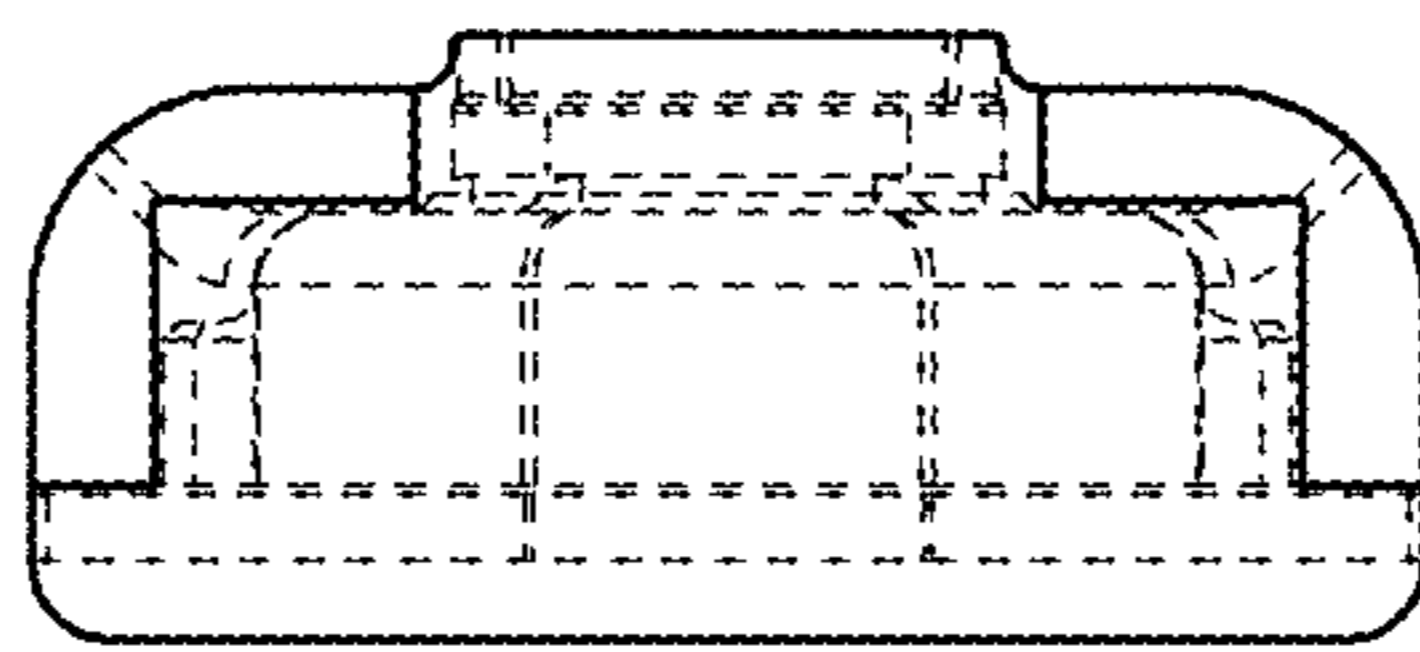


FIG. 7



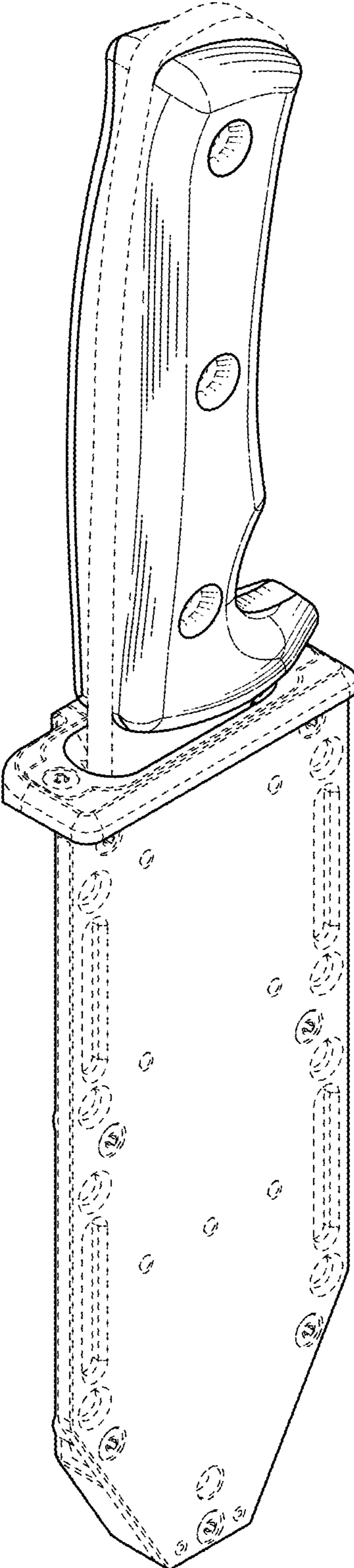


FIG. 8