



US00D844094S

(12) **United States Design Patent**  
**Geissele**

(10) **Patent No.:** **US D844,094 S**  
(45) **Date of Patent:** **\*\* Mar. 26, 2019**

(54) **FIREARM RAIL**

(71) Applicant: **WHG Properties, LLC**, North Wales, PA (US)

(72) Inventor: **William H. Geissele**, Lower Gwynedd, PA (US)

(73) Assignee: **WHG Properties, LLC**, North Wales, PA (US)

(\*\*) Term: **15 Years**

(21) Appl. No.: **29/619,326**

(22) Filed: **Sep. 28, 2017**

(51) **LOC (11) Cl.** ..... **22-01**

(52) **U.S. Cl.**  
USPC ..... **D22/108**

(58) **Field of Classification Search**  
USPC ..... D21/300, 301, 304, 387, 567, 570, 571, D21/573, 574, 575, 746; D22/100, 101, D22/102, 103, 106, 107, 108, 109, 110, D22/111, 112, 199

CPC ..... F41A 3/26; F41A 3/12; F41A 5/02; F41A 17/22; F41B 5/143; F41B 5/14; F41B 5/066; F41B 7/08; F41B 5/1446; F41B 5/148; F41B 5/1465; F42B 6/04; F42B 6/08; F42B 6/02; F42B 6/06; F42B 12/362; F41C 23/16; F41C 27/00; F41C 7/00; F41G 11/003; F41G 11/001; F41G 11/004; F41G 11/005; A63H 5/04

See application file for complete search history.

(56) **References Cited**

**U.S. PATENT DOCUMENTS**

D703,286 S \* 4/2014 Chen ..... D22/108  
D709,582 S \* 7/2014 Geissele ..... D22/108  
D713,484 S \* 9/2014 Firpo, I ..... D22/108  
8,904,691 B1 \* 12/2014 Kinzel ..... F41C 23/16  
42/71.01

D721,407 S \* 1/2015 Chu ..... D21/574  
D733,246 S \* 6/2015 Wells ..... D22/108  
D741,978 S \* 10/2015 Shea ..... D22/108  
D744,054 S \* 11/2015 Peterson ..... D22/108  
D747,428 S \* 1/2016 Chen ..... D22/108  
D752,171 S \* 3/2016 Chen ..... D22/108  
9,335,117 B2 \* 5/2016 Miller ..... F16B 39/04  
9,389,043 B1 \* 7/2016 Zhang ..... F41C 23/16  
9,453,694 B1 \* 9/2016 Storch ..... F41A 3/64  
D770,590 S \* 11/2016 Sui ..... D22/108  
D771,216 S \* 11/2016 Dubois ..... D22/108  
9,500,421 B1 \* 11/2016 Geissele ..... F41A 3/72  
D778,388 S \* 2/2017 Geissele ..... D22/108  
9,574,852 B1 \* 2/2017 McKillips ..... F41G 11/003

(Continued)

**OTHER PUBLICATIONS**

<https://www.thefirearmblog.com/blog/2018/06/07/geissele-usasoc-upper/>—Published Jun. 7, 2017.\*

(Continued)

*Primary Examiner* — Khawaja Anwar  
*Assistant Examiner* — Mojtaba Tehrani  
(74) *Attorney, Agent, or Firm* — Fox Rothschild LLP

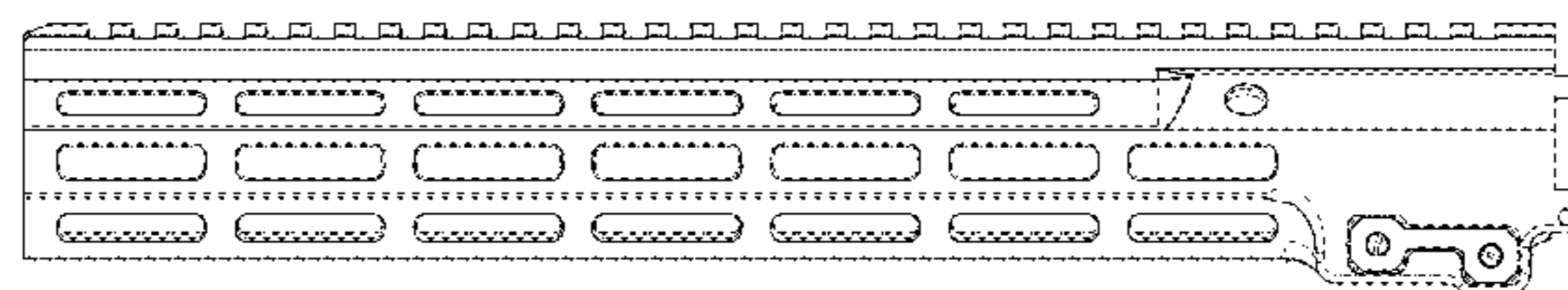
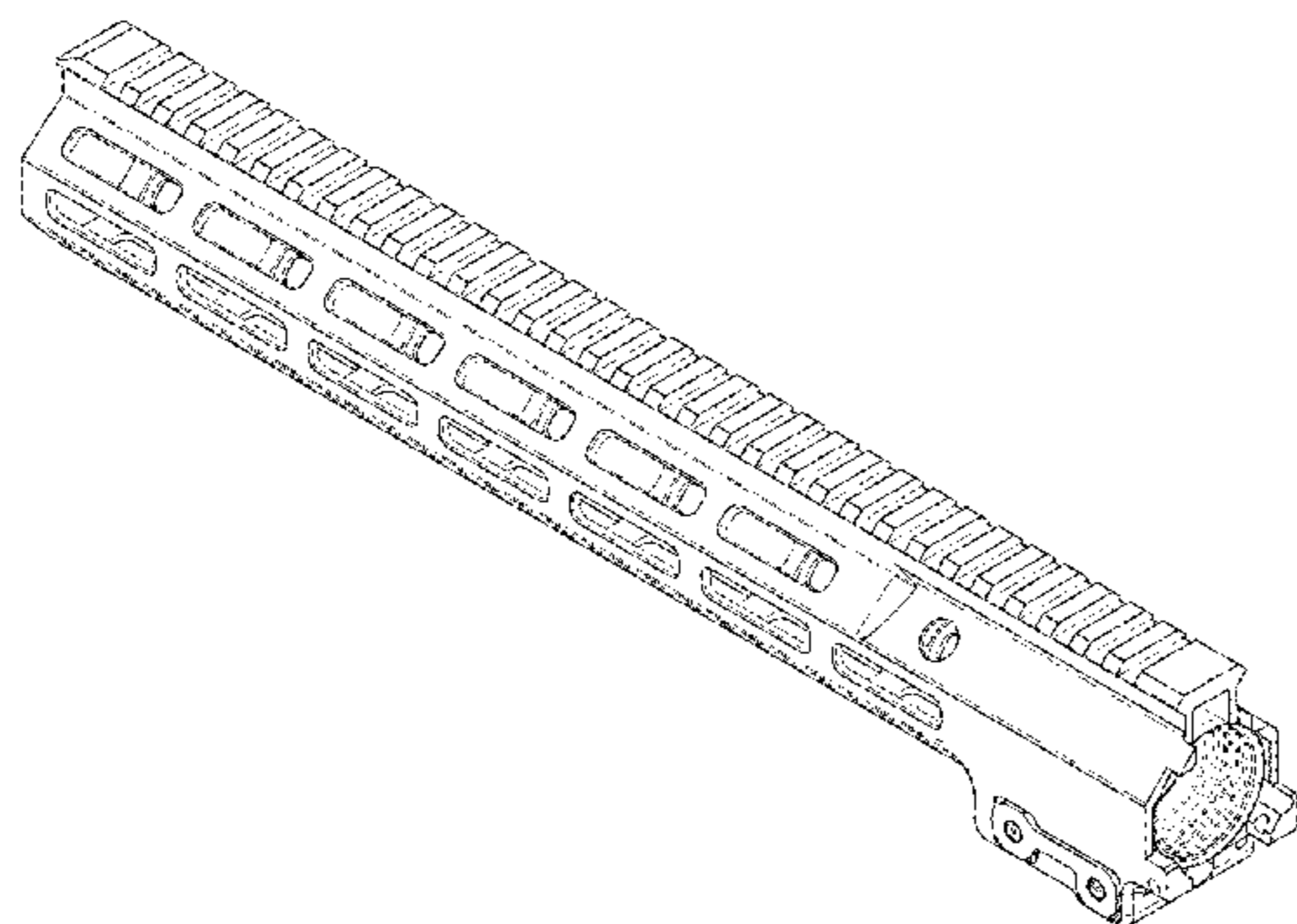
(57) **CLAIM**

The ornamental design for a firearm rail, as shown and described.

**DESCRIPTION**

FIG. 1 is an isometric view of a firearm rail, showing my new design;  
FIG. 2 is a left side view thereof;  
FIG. 3 is a right side view thereof;  
FIG. 4 is a top view thereof;  
FIG. 5 is a bottom view thereof;  
FIG. 6 is a front view thereof; and,  
FIG. 7 is a rear view thereof.  
The broken lines in the Figures depict portions of the firearm rail that form no part of the claimed design.

**1 Claim, 6 Drawing Sheets**



(56)

**References Cited**

## U.S. PATENT DOCUMENTS

9,599,439 B1 \* 3/2017 Sylvester ..... F41G 11/003  
D783,760 S \* 4/2017 Pavlick ..... D22/108  
D783,761 S \* 4/2017 Pavlick ..... D22/108  
D785,743 S \* 5/2017 Pavlick ..... D22/108  
D787,003 S \* 5/2017 Spector ..... D22/108  
D787,004 S \* 5/2017 Spector ..... D22/108  
D790,029 S \* 6/2017 Geissele ..... D22/108  
D791,900 S \* 7/2017 Underwood ..... D22/108  
D795,986 S \* 8/2017 Frederickson ..... D22/108  
9,766,035 B2 \* 9/2017 Storch ..... F41C 23/16  
9,791,239 B1 \* 10/2017 Kincel ..... F41C 23/16  
D818,073 S \* 5/2018 Dubois ..... D22/108  
D827,082 S \* 8/2018 Dubois ..... D22/108  
2014/0130390 A1 \* 5/2014 Geissele ..... F41C 23/16  
42/71.01  
2014/0373419 A1 \* 12/2014 Leclair ..... F41C 23/16  
42/71.01  
2016/0091276 A1 \* 3/2016 Miller ..... F41C 23/16  
42/75.02  
2016/0223286 A1 \* 8/2016 Storch ..... F41C 23/16  
2017/0059264 A1 \* 3/2017 Geissele ..... F41A 3/84  
2017/0059273 A1 \* 3/2017 Geissele ..... F41C 23/16  
2017/0089655 A1 \* 3/2017 Geissele ..... F41A 19/46  
2018/0135946 A1 \* 5/2018 Geissele ..... F41G 11/003

## OTHER PUBLICATIONS

[https://aeroprecisionusa.com/ar15-atlas-s-one-mlok.html?avad=194130\\_e12f39ce1](https://aeroprecisionusa.com/ar15-atlas-s-one-mlok.html?avad=194130_e12f39ce1)—Retrieved on Aug. 28, 2018.\*

<https://www.pewpewtactical.com/aero-precision-upper-review-m4e1-16-5-56-mid-length/>—Published Nov. 7, 2017.\*

\* cited by examiner

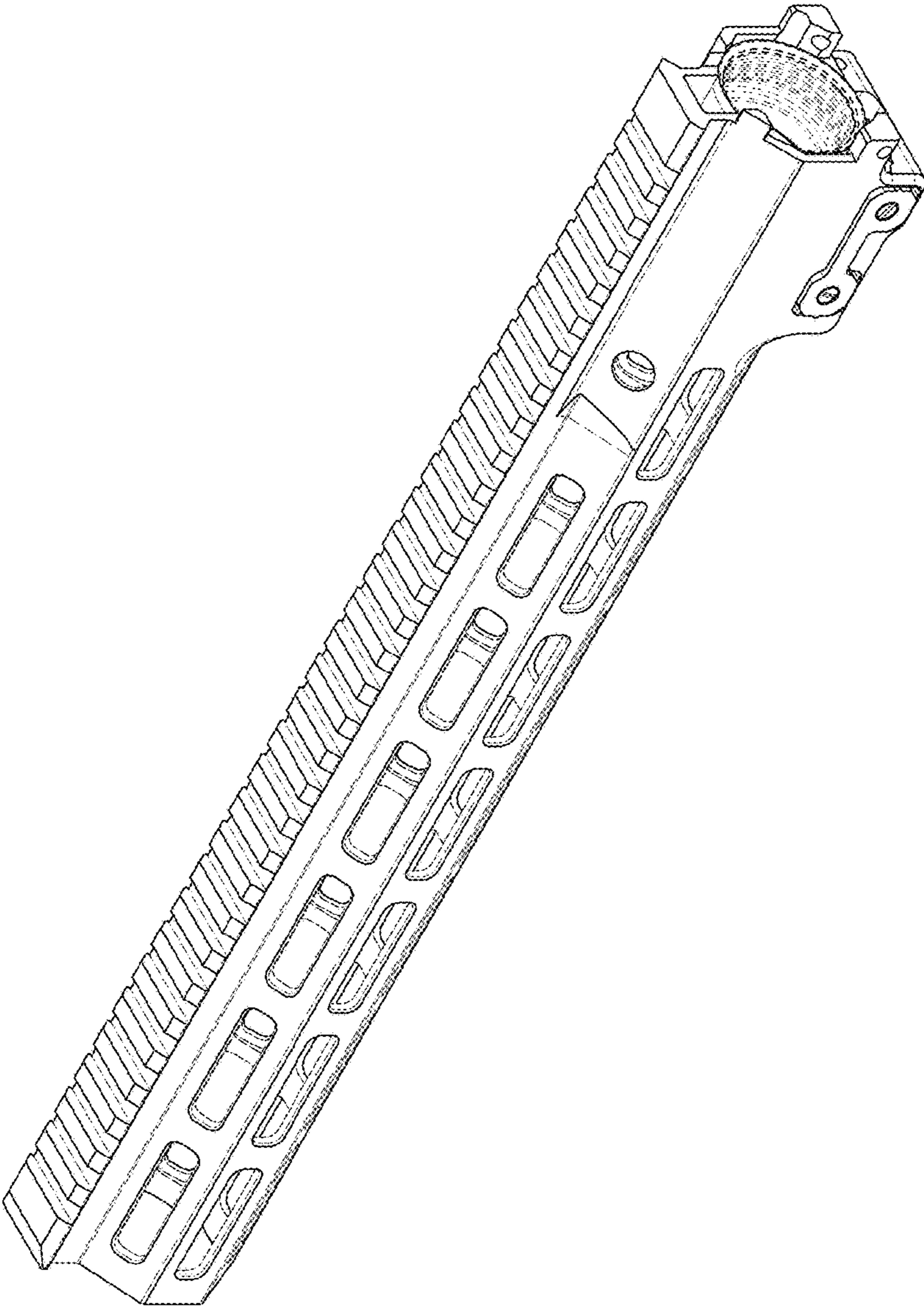


FIG. 1

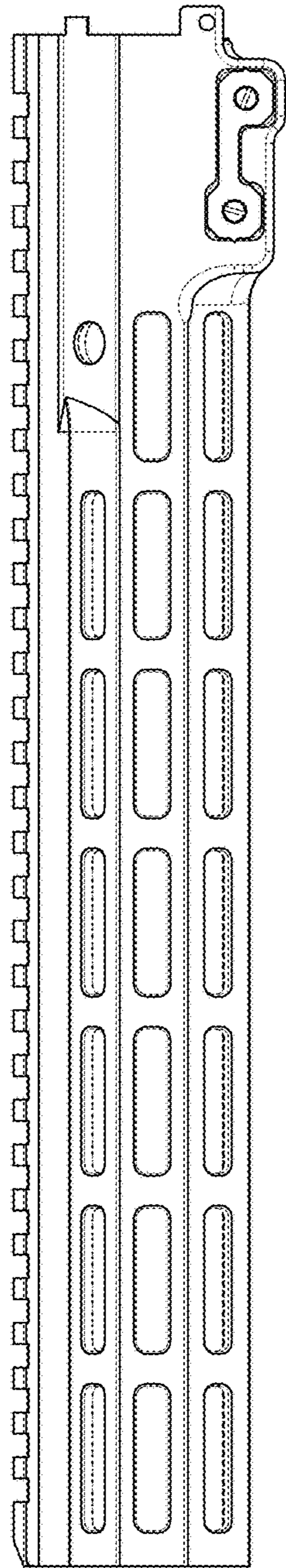


FIG. 2



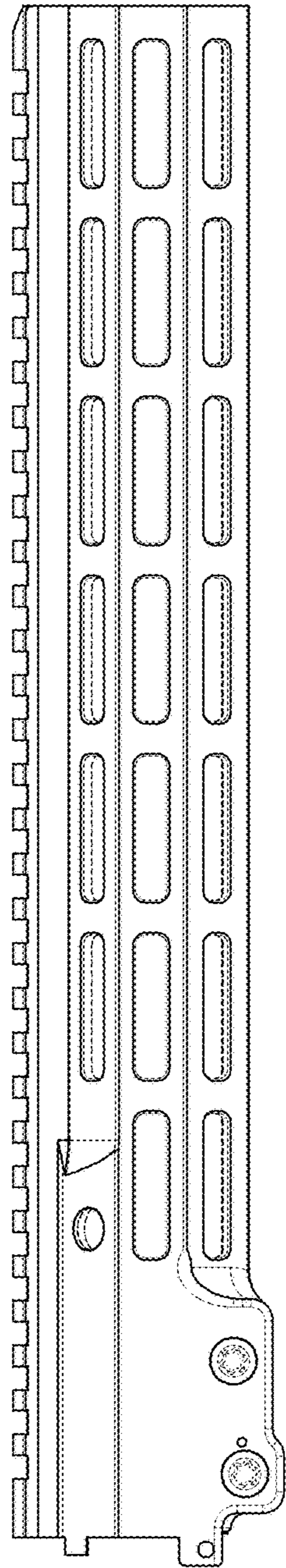


FIG. 3

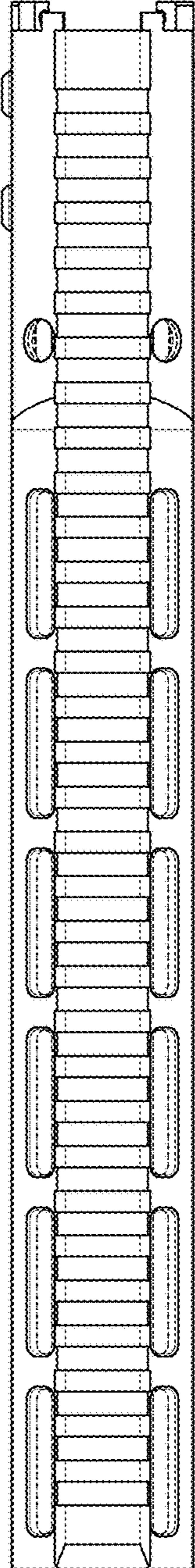


FIG. 4

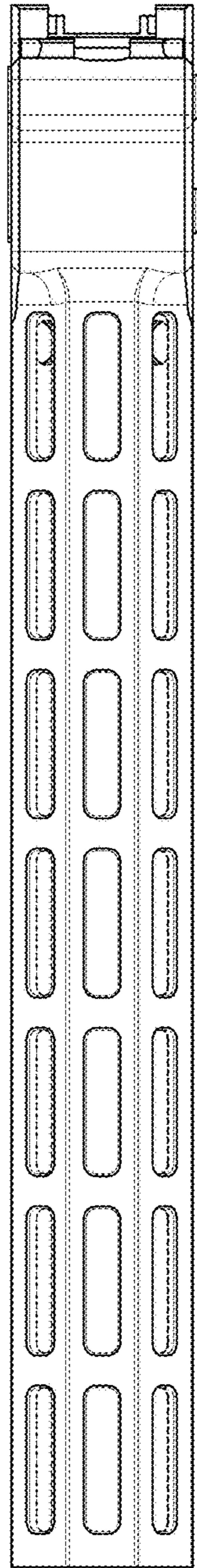


FIG. 5

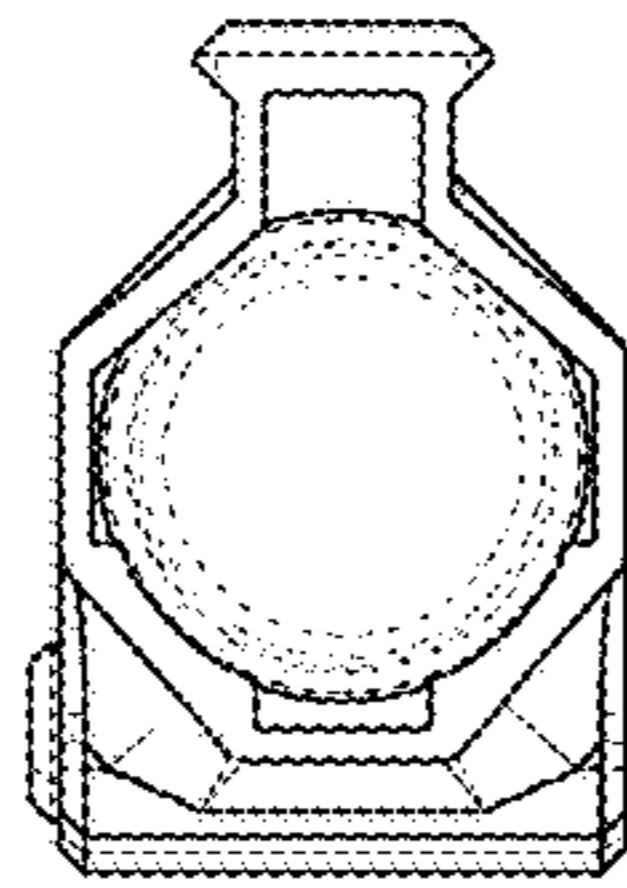


FIG. 6

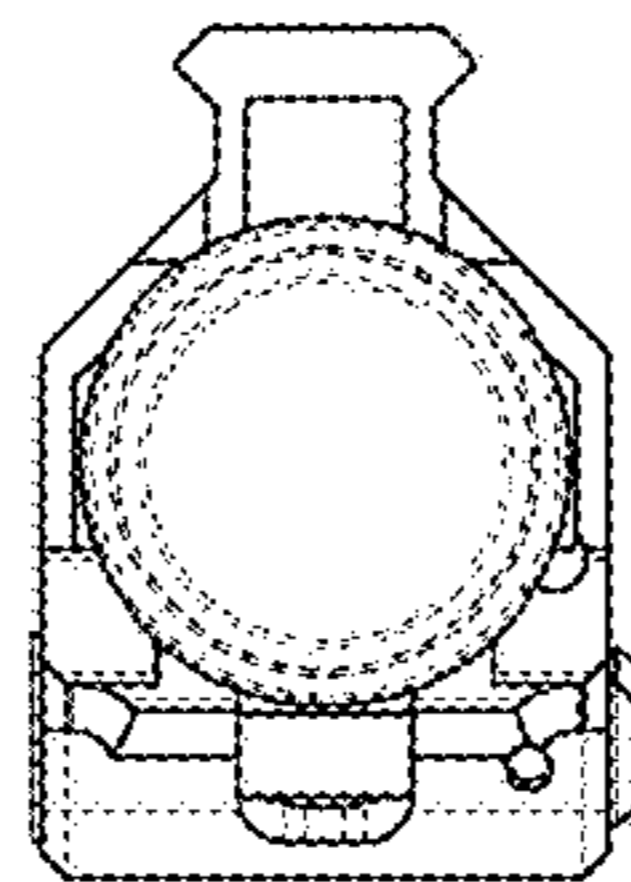


FIG. 7