



US00D844093S

(12) **United States Design Patent**
Shelton et al.

(10) **Patent No.:** **US D844,093 S**
(45) **Date of Patent:** **** Mar. 26, 2019**

(54) **TOOL FOR SIGHTING IN A FIREARM SIGHT SUCH AS A RED DOT SIGHT OR LASER OR THE LIKE**

D779,019 S * 2/2017 Arnedo Vera D22/108
D792,549 S * 7/2017 McKillips D22/108
D809,084 S * 1/2018 Geissele D22/108

(Continued)

(71) Applicant: **RAILSCALES LLC**, Claremore, OK (US)

FOREIGN PATENT DOCUMENTS

(72) Inventors: **Derek Hunter Shelton**, Claremore, OK (US); **Brent Taylor McGuire**, Depew, OK (US)

CA 2668530 A1 * 5/2008 B25B 13/48

(73) Assignee: **RAILSCALES LLC**, Claremore, OK (US)

OTHER PUBLICATIONS

(**) Term: **15 Years**

Ampule AR 15 Sight Adjustment, posted at Railscales, review posted Apr. 25, 2018. [Site visited Oct. 25, 2018] URL: <<https://www.railscales.us/collections/products-1/products/ampule>> (Year: 2018).*

(Continued)

(21) Appl. No.: **29/604,583**

Primary Examiner — Kevin K Rudzinski

(22) Filed: **May 18, 2017**

Assistant Examiner — Kathleen L Jones

(51) **LOC (11) Cl.** **22-01**

(74) *Attorney, Agent, or Firm* — Eversheds Sutherland

(52) **U.S. Cl.**

(US) LLP

USPC **D22/108**; D22/199

(58) **Field of Classification Search**

(57) **CLAIM**

USPC D22/102, 104–105, 107–110, 199; D21/571–575

We claim the ornamental design for a tool for sighting in a firearm sight such as a red dot sight or laser or the like, as shown and described.

CPC F41G 1/44; F41G 1/54; F41G 1/545

See application file for complete search history.

DESCRIPTION

(56) **References Cited**

FIG. 1 is a perspective view of a tool for sighting in a firearm sight such as a red dot sight or laser or the like;

U.S. PATENT DOCUMENTS

FIG. 2 is a perspective view thereof;

D363,333 S * 10/1995 Giberson D22/108

FIG. 3 is a side view thereof;

D366,364 S * 1/1996 Pollock D22/108

FIG. 4 is a side view thereof;

D432,617 S * 10/2000 Bechtel D22/100

FIG. 5 is a top view thereof;

6,295,753 B1 * 10/2001 Thummel F41A 33/02

FIG. 6 is a bottom view thereof;

D522,084 S * 5/2006 Primeau, IV D22/109

FIG. 7 is a front view thereof; and,

D624,150 S * 9/2010 Trybulski D22/199

FIG. 8 is a rear view thereof.

D682,974 S * 5/2013 Honigmann D22/108

The broken lines showing portions of the article are included for the purpose of illustration only and do not form part of the claimed design.

D701,935 S * 4/2014 Gokay D22/109

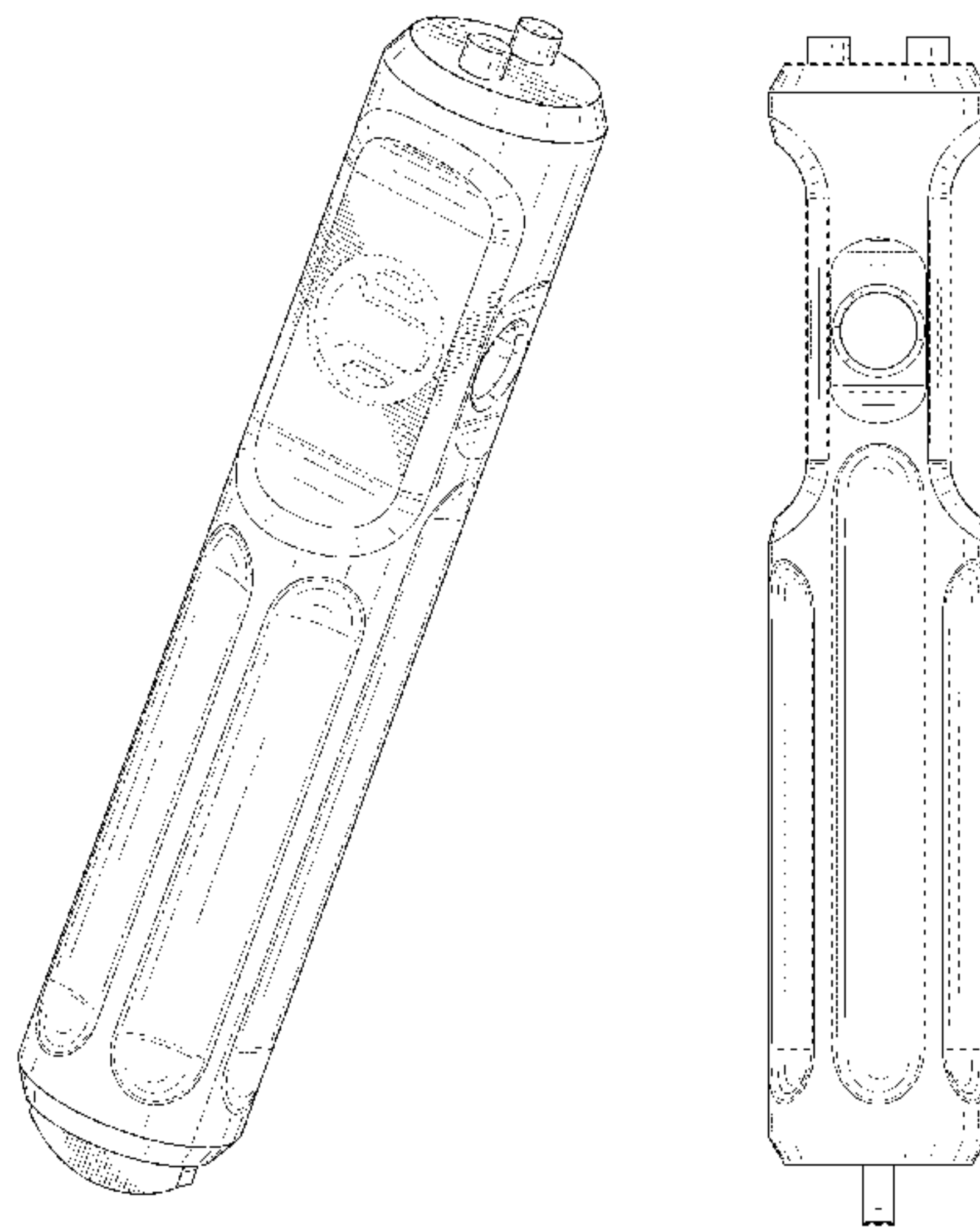
1 Claim, 5 Drawing Sheets

D715,393 S * 10/2014 Williams D22/109

D738,985 S * 9/2015 Montes D22/108

D754,273 S * 4/2016 Oglesby D22/108

D768,254 S * 10/2016 Geissele D22/108



(56)

References Cited

U.S. PATENT DOCUMENTS

2010/0325933 A1* 12/2010 Huang F41A 29/00
42/90
2011/0219658 A1* 9/2011 AlKandari F41G 1/54
42/116
2014/0230297 A1* 8/2014 Larson, Jr. F41A 17/38
42/6

OTHER PUBLICATIONS

Best Laser Bore Sight, posted at Riflescope Guy, posting date Apr. 24, 2015. [Site visited Oct. 25, 2018] URL: <<http://www.riflescopeguy.com/best-laser-bore-sight-top-rated-laser-boresighters-currently-in-the-market/#sthash.IIT5iOH4.dpbs>> (Year: 2015).*

* cited by examiner

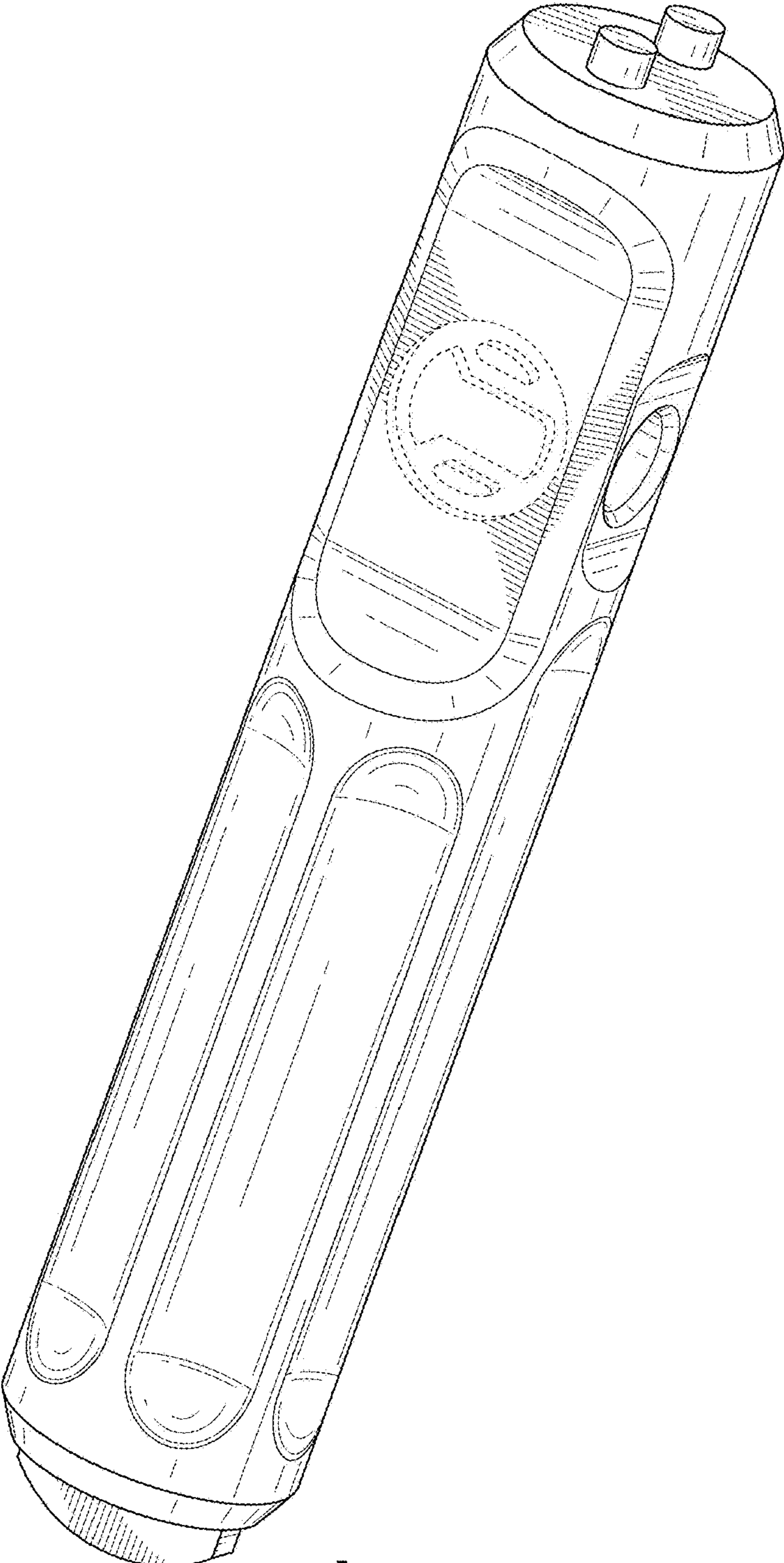


FIG. 1

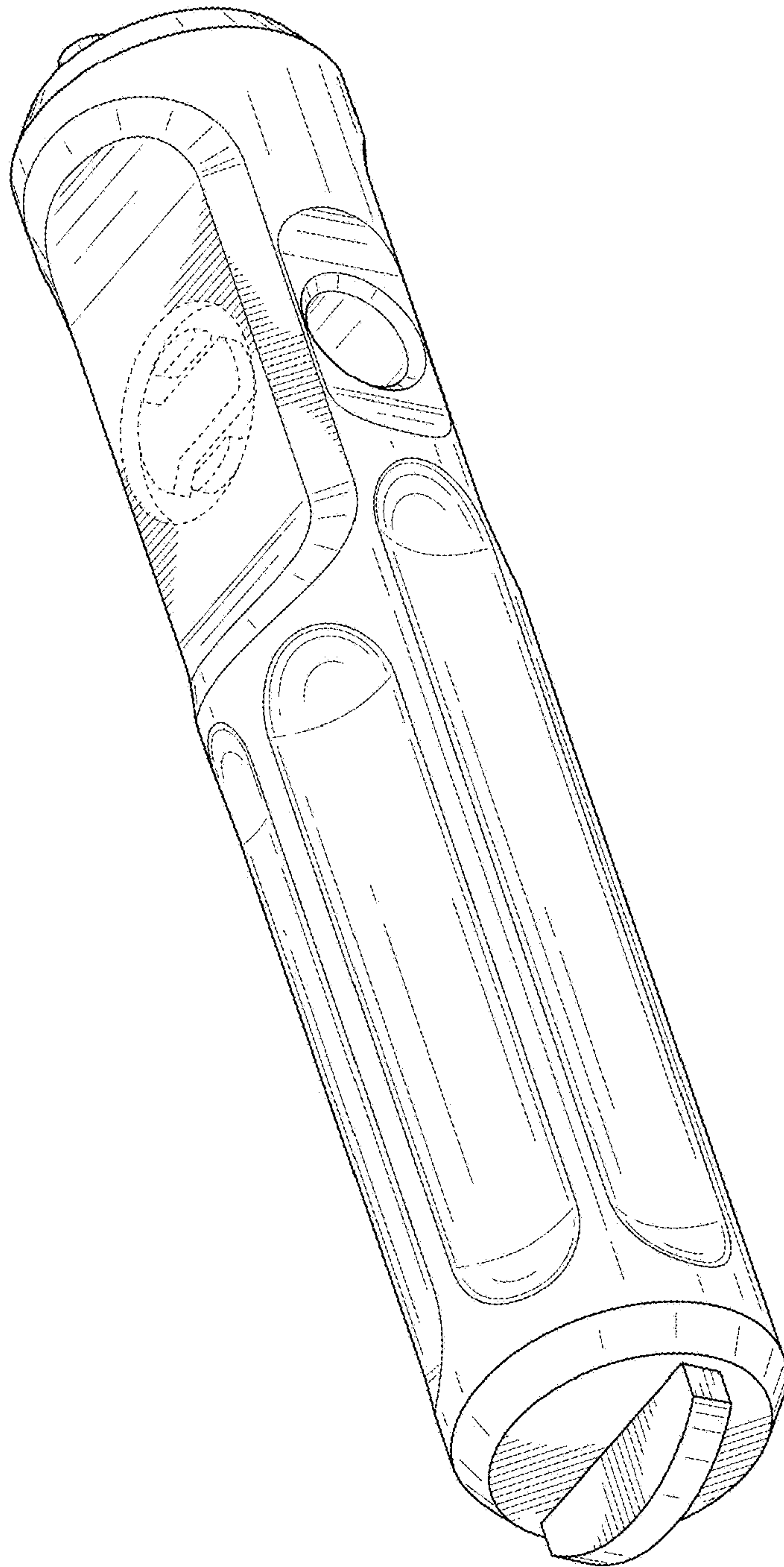


FIG. 2

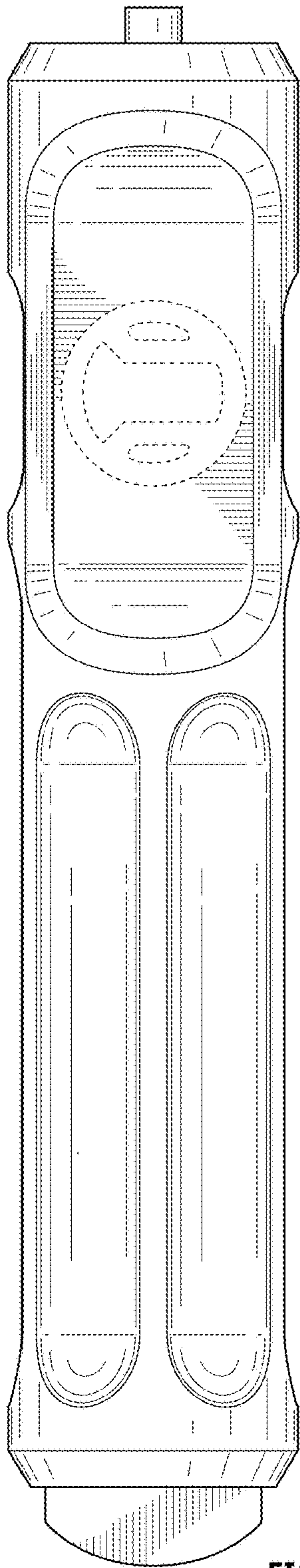


FIG. 3

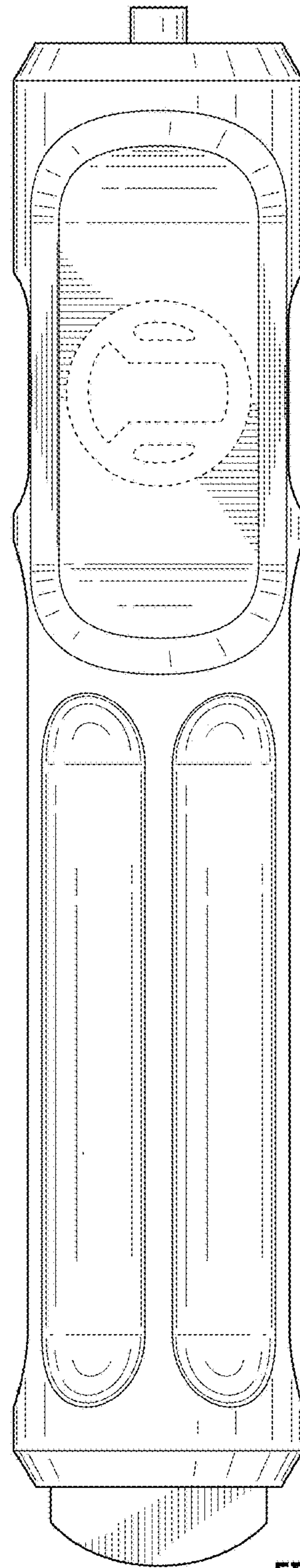


FIG. 4

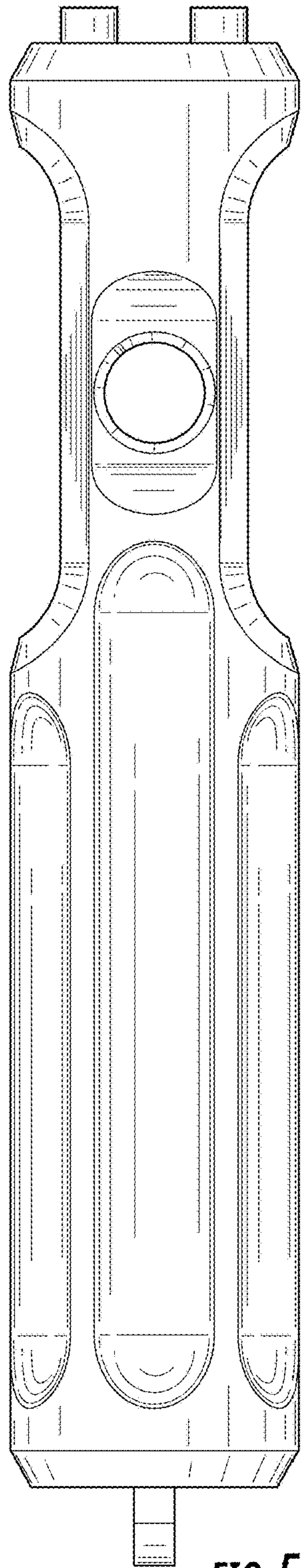


FIG. 5

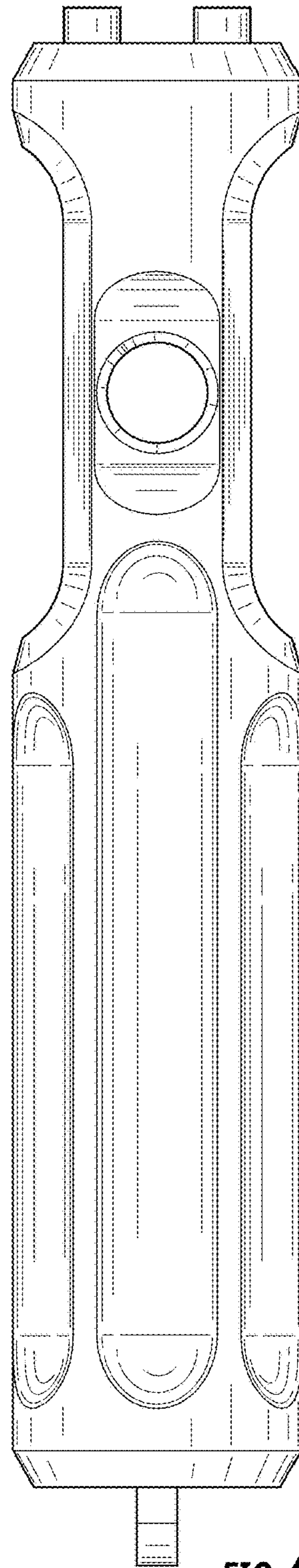


FIG. 6

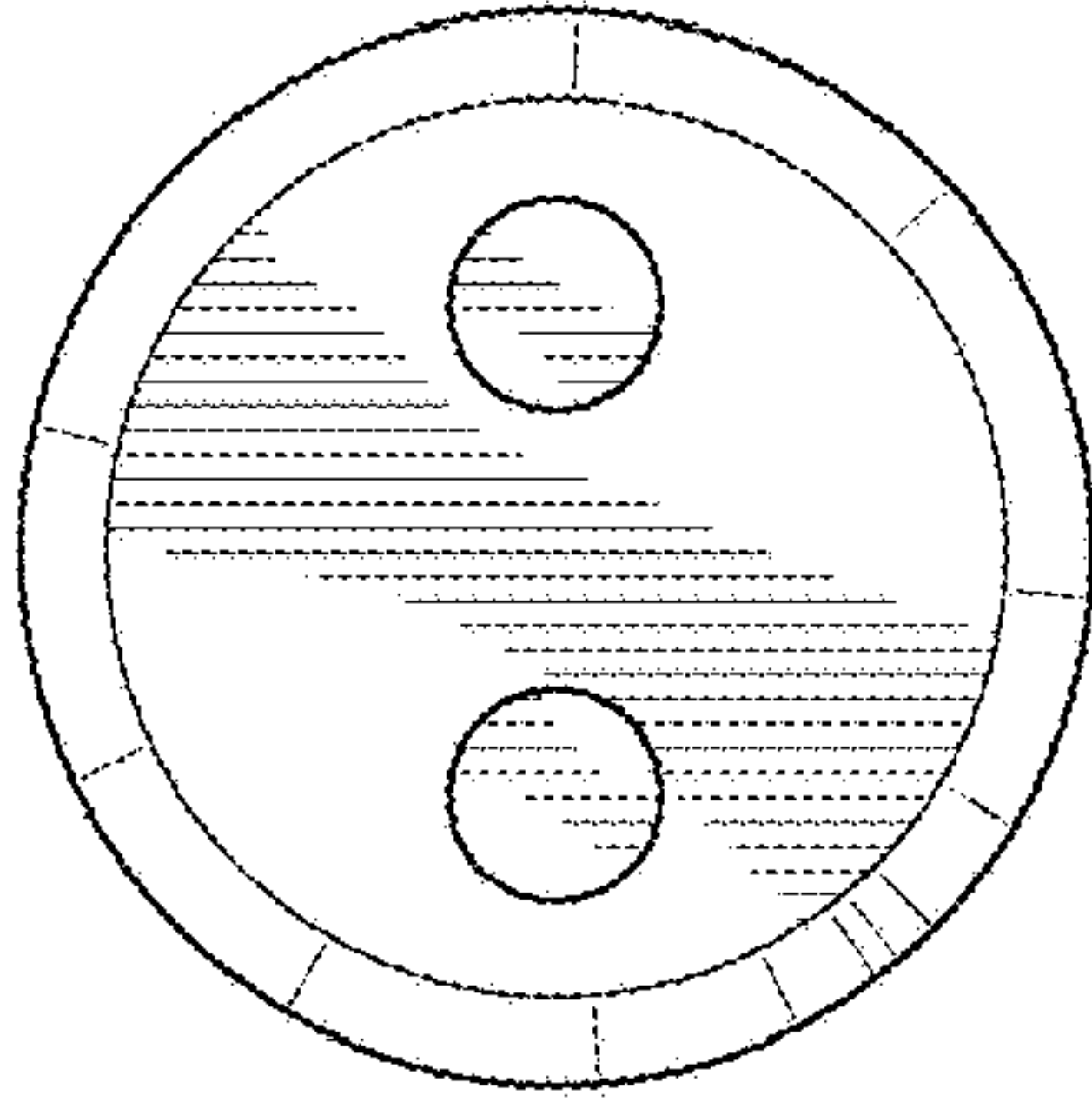


FIG. 7

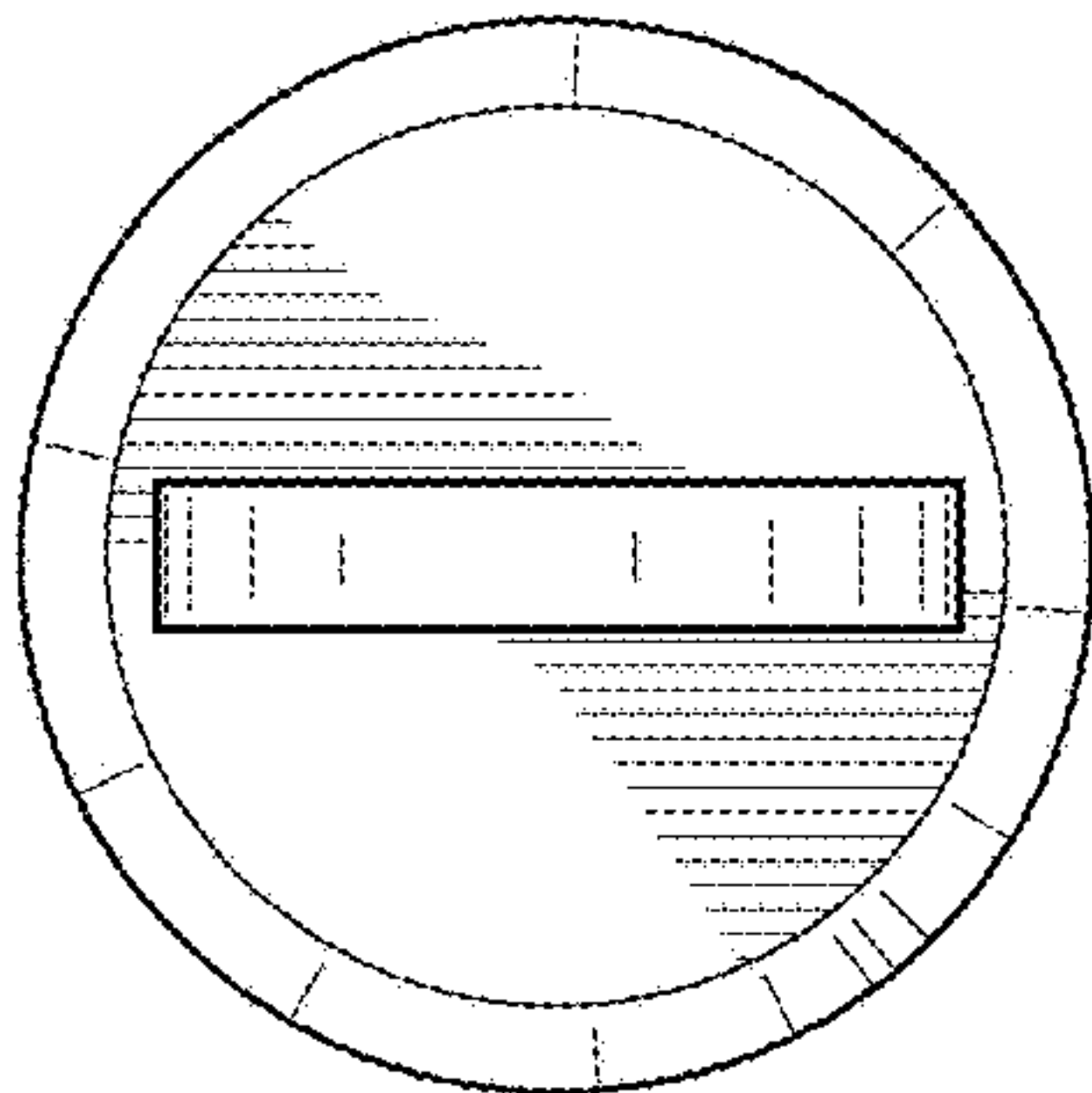


FIG. 8