



US00D844092S

(12) **United States Design Patent**
Ding et al.

(10) **Patent No.:** **US D844,092 S**
(45) **Date of Patent:** **** Mar. 26, 2019**

(54) **ADJUSTING KNOB FOR A SCOPE**

(71) Applicant: **Leapers, Inc.**, Livonia, MI (US)

(72) Inventors: **Tai-Lai Ding**, Northville, MI (US);
Xuezhe Wang, Northville, MI (US);
Zuhao Jin, New Hudson, MI (US)

(73) Assignee: **Leapers, Inc.**, Livonia, MI (US)

(**) Term: **15 Years**

(21) Appl. No.: **29/588,399**

(22) Filed: **Dec. 20, 2016**

(51) **LOC (11) Cl.** **22-01**

(52) **U.S. Cl.**
USPC **D22/108**

(58) **Field of Classification Search**
USPC D22/108–110, 100, 101, 103–107, 115;
D16/130, 132, 133, 134, 330; D26/38;
D21/572–575; D14/418; 42/119, 122,
42/124, 126, 127, 143, 10, 111, 114, 118,
42/120, 123, 125, 132, 85, 90, 113, 117,
42/141, 67; 86/10; 102/450, 451, 452,
102/532, 461
CPC F41G 11/001; F41G 11/003; F41G 11/004;
F41G 1/00; F41G 1/38; F41G 11/005
See application file for complete search history.

(56) **References Cited**

U.S. PATENT DOCUMENTS

D308,981 S *	7/1990	Moore	D16/132
5,666,753 A *	9/1997	Kolling	F41A 17/42
				42/70.01
D417,679 S *	12/1999	Cross	D16/132
6,005,711 A *	12/1999	Mai	G02B 7/10
				359/399
D421,286 S *	2/2000	Tucker	D16/130

(Continued)

OTHER PUBLICATIONS

Leapers UTG 1 in Bugbuster 3-12x32 Mil-Dot Rifle Scope, OpticsPlanet.com, [online], [site visited Jan. 7, 2018]. <URL: https://www.opticsplanet.com/leapers-utg-1in-bugbuster-3-12x32-mil-dot-rifle-scope.html> (Year: 2018).*

(Continued)

Primary Examiner — T. Chase Nelson

Assistant Examiner — Jonathan J. Han

(74) *Attorney, Agent, or Firm* — Honigman Miller Schwartz and Cohn LLP

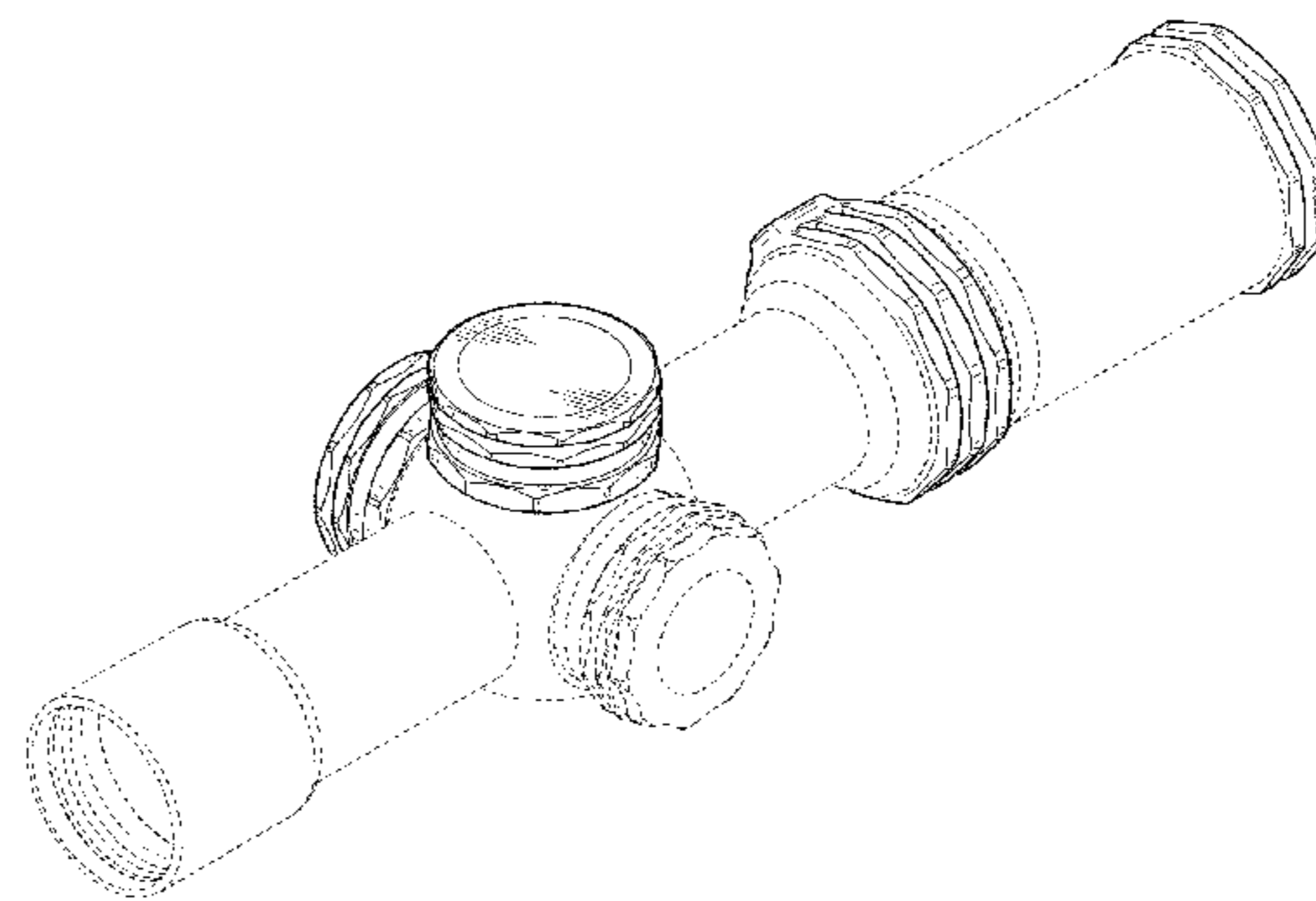
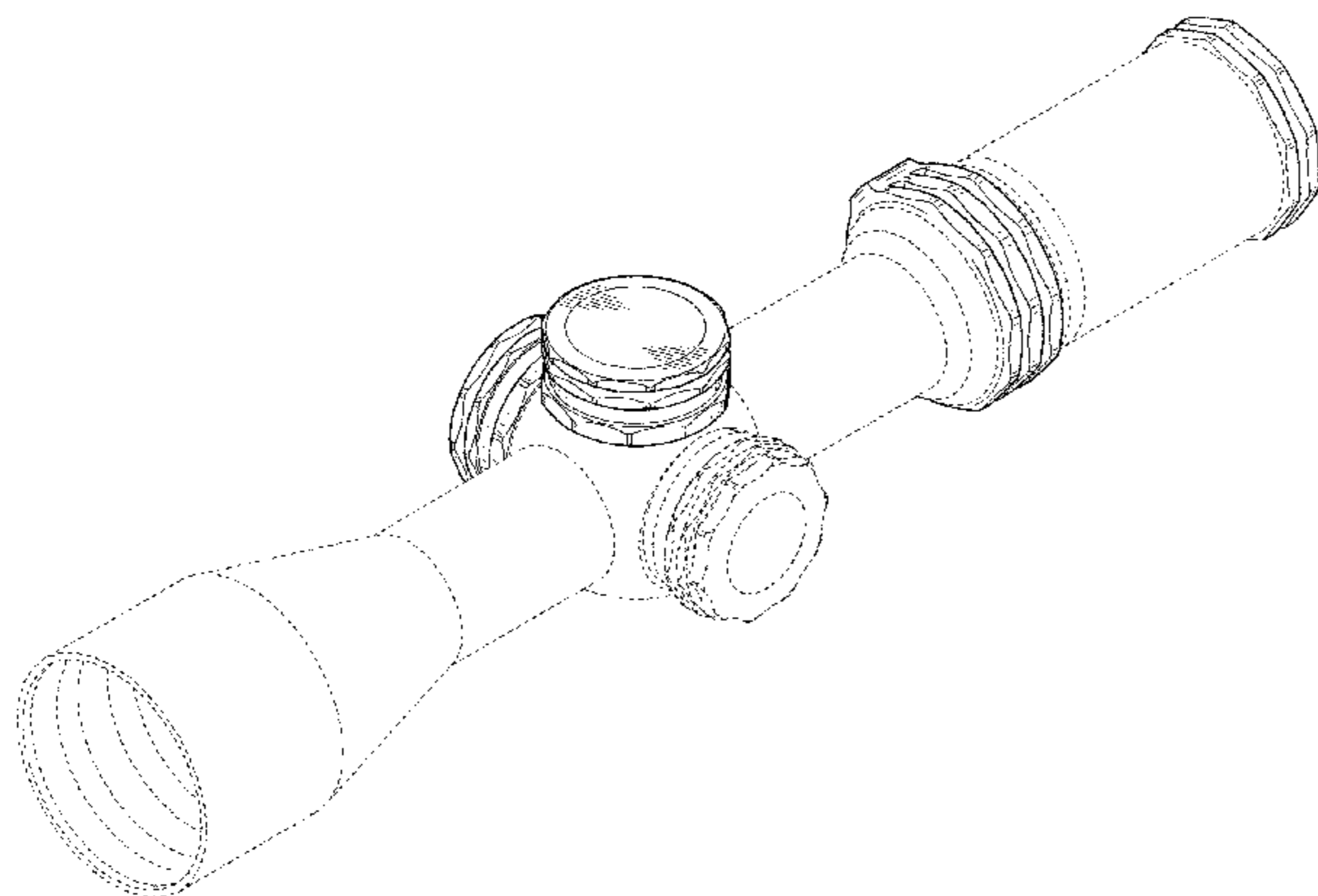
(57) **CLAIM**

The ornamental design for an adjusting knob for a scope, as shown and described.

DESCRIPTION

FIG. 1 is a front/right isometric view of an adjusting knob for a first embodiment of a scope;
FIG. 2 is a front view of the adjusting knob of FIG. 1;
FIG. 3 is a rear view of the adjusting knob of FIG. 1;
FIG. 4 is a right side view of the adjusting knob of FIG. 1;
FIG. 5 is a left side view of the adjusting knob of FIG. 1;
FIG. 6 is a top view of the adjusting knob of FIG. 1;
FIG. 7 is a bottom view of the adjusting knob of FIG. 1;
FIG. 8 is a front/right isometric view of an adjusting knob for a second embodiment of a scope;
FIG. 9 is a front view of the adjusting knob of FIG. 8;
FIG. 10 is a rear view of the adjusting knob of FIG. 8;
FIG. 11 is a right side elevational view of the adjusting knob of FIG. 8;
FIG. 12 is a left side elevational view of the adjusting knob of FIG. 8;
FIG. 13 is a top view of the adjusting knob of FIG. 8; and,
FIG. 14 is a bottom view of the adjusting knob of FIG. 8.
The broken lines in the drawings are used to illustrate the environment of the invention and they do not form any part of the claimed design.

1 Claim, 8 Drawing Sheets



(56)

References Cited

U.S. PATENT DOCUMENTS

D443,628 S * 6/2001 Koshibe D16/132
 6,508,026 B1 * 1/2003 Uppiano F41G 1/38
 42/111
 D476,714 S * 7/2003 Meinzer D22/109
 6,691,447 B1 * 2/2004 Otteman F41G 1/38
 359/429
 7,626,760 B2 * 12/2009 Wu G02B 7/04
 359/426
 D619,191 S * 7/2010 Riley D22/108
 D619,192 S * 7/2010 Riley D22/108
 D619,193 S * 7/2010 Riley D22/108
 D667,521 S * 9/2012 Hoshi D22/109
 D668,312 S * 10/2012 Asano D22/109
 D681,152 S * 4/2013 Burzel D22/109
 D689,163 S * 9/2013 Radau D22/109
 D689,582 S * 9/2013 Radau D22/109
 8,919,026 B2 * 12/2014 Hamilton F41G 1/38
 356/247
 D723,652 S * 3/2015 Radau D22/109
 D728,060 S * 4/2015 Vogl D22/109
 D728,061 S * 4/2015 Vogl D22/109
 D732,633 S * 6/2015 Cheng D22/109
 RE46,011 E * 5/2016 Huber F41G 1/38
 D779,622 S * 2/2017 Thomas D22/109
 9,677,848 B2 * 6/2017 Hamilton F41G 1/38
 2009/0109528 A1 * 4/2009 Wu F41G 1/26
 359/425
 2009/0199452 A1 * 8/2009 Huber F41G 1/38
 42/125
 2010/0229451 A1 * 9/2010 Hamilton F41G 1/345
 42/126
 2011/0061285 A1 * 3/2011 Hamilton F41G 1/38
 42/122
 2012/0167444 A1 * 7/2012 Adkins F41G 1/38
 42/135

2013/0276345 A1 * 10/2013 Hamilton F41G 1/38
 42/119
 2015/0135578 A1 * 5/2015 Walker F41G 1/38
 42/119
 2015/0143733 A1 * 5/2015 Thomas F41G 1/38
 42/119
 2016/0040959 A1 * 2/2016 Davidson F41G 1/38
 42/122
 2017/0199009 A1 * 7/2017 Ding F41G 1/38
 2017/0241742 A1 * 8/2017 Davidson F41G 1/38
 2017/0363388 A9 * 12/2017 Hamilton F41G 1/38

OTHER PUBLICATIONS

Vortex Optics Strike Eagle Rifle Scope 30mm 1-6x24mm, MidwayUSA.com, [online], [site visited Jan. 7, 2018]. <URL: <https://www.midwayusa.com/product/1016281611/vortex-optics-strike-eagle-rifle-scope-30mm-1-6x24mm-1-2-moa-adjustment-illuminated-ar-bdc-reticle>> (Year: 2018).*

Nightforce NXS Rifle Scopes, SportsmansWarehouse.com, [online], [site visited Jan. 7, 2018]. <URL: <http://www.sportsmanswarehouse.com/sportsmans/Nightforce-NXS-Rifle-Scopes/productDetail/RifleScopes/prod999901358832/cat100738;jsessionid=hXrS759jRjYVcZhPrCSSDf6gTLdPZoQnLM097AEEOMRjQM54VPvZI837818928>> (Year: 2018).*

Bushnell AR Optics 3-9 x 40 Riflescope, Academy.com, [online], [site visited Jan. 7, 2018]. <URL: <https://www.academy.com/shop/pdp/bushnell-ar-optics-3---9-x-40-riflescope#repChildCatid=999063>> (Year: 2018).*

Bushnell AR Optic 1-4x24mm PCL Review, YouTube.com, 8541 Tactical, Published on Aug 19, 2014, [online], [site visited Jan. 7, 2018]. <URL: <https://www.youtube.com/watch?v=OkQrgECpKRE>> (Year: 2014).*

Trademark Office Action for U.S. Application No. 86964727 dated Sep. 29, 2016.

* cited by examiner

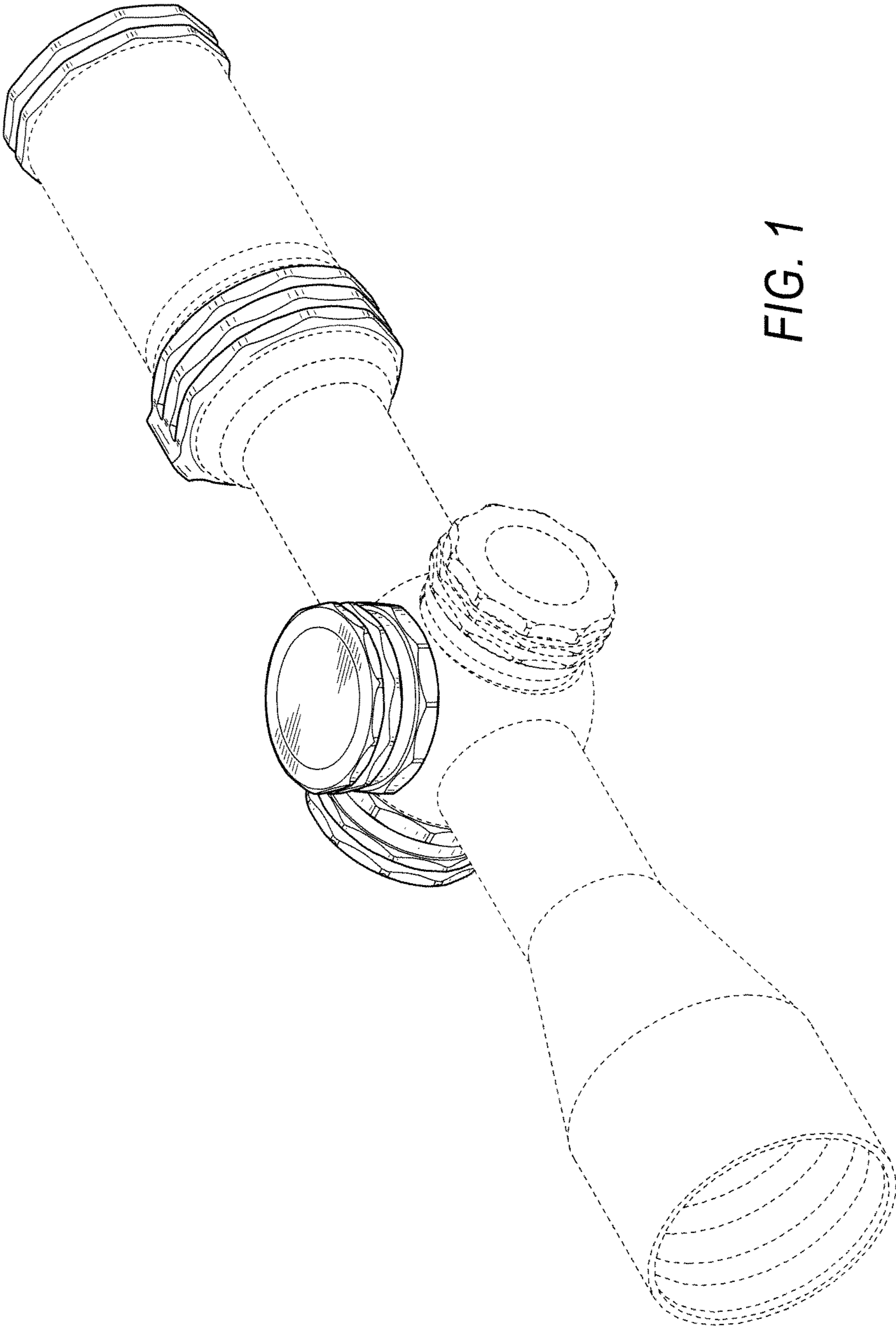


FIG. 1

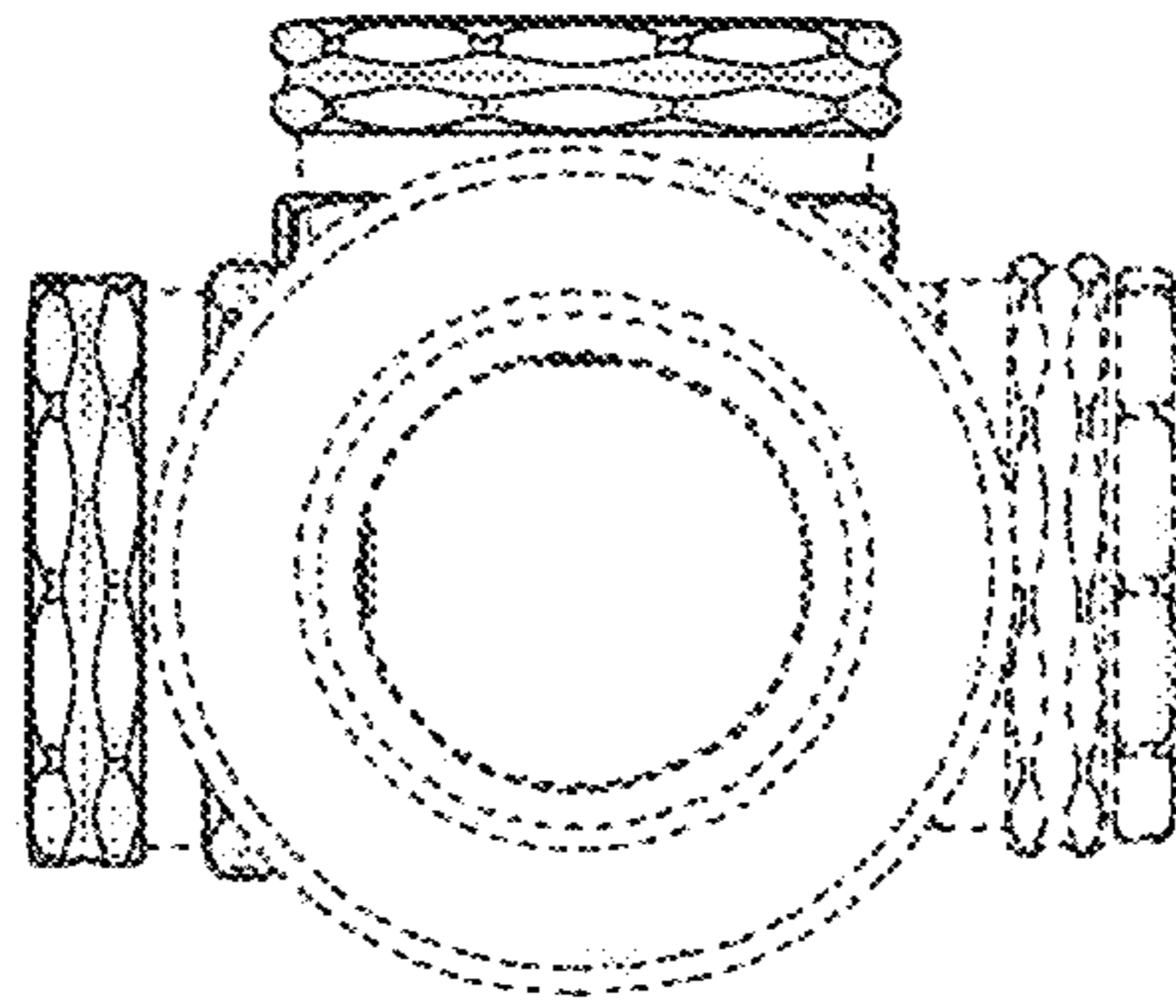


FIG. 2

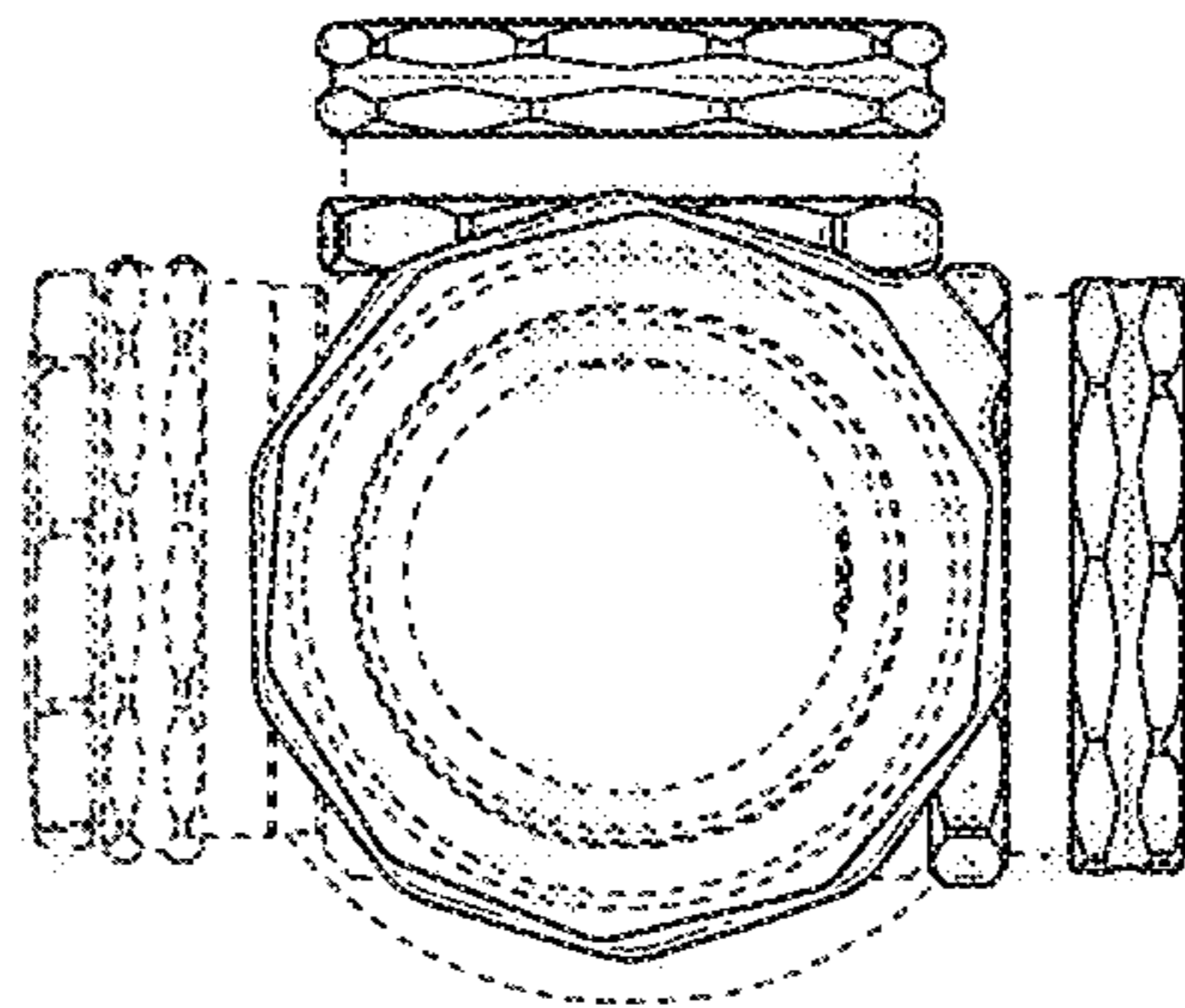


FIG. 3

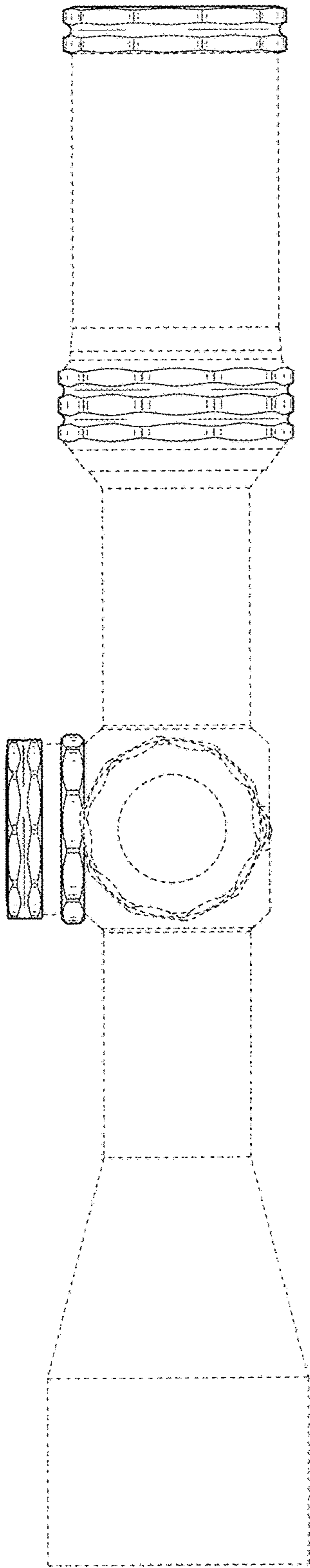


FIG. 4

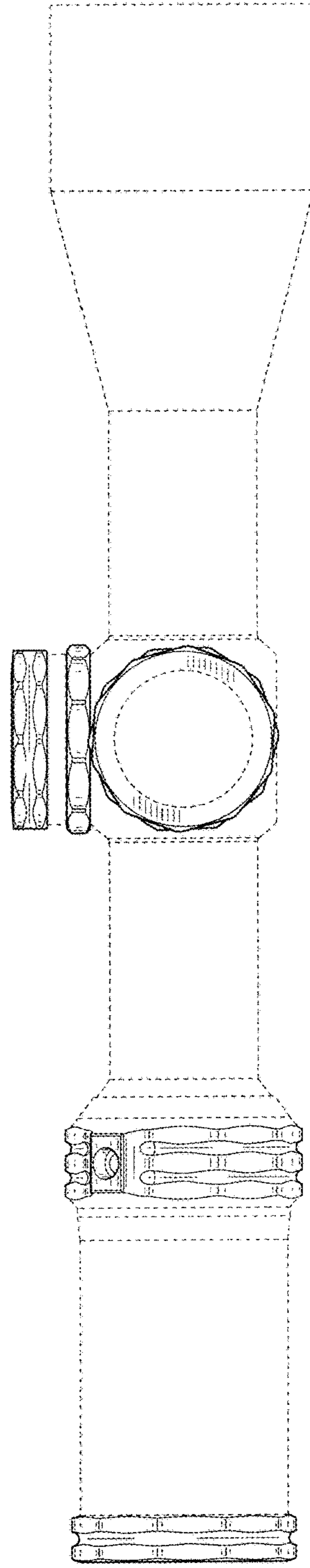
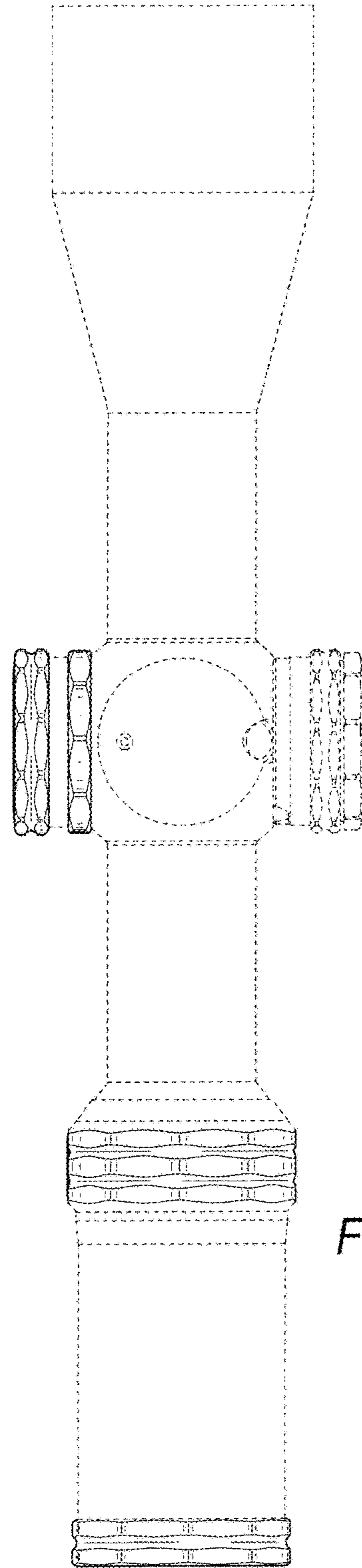
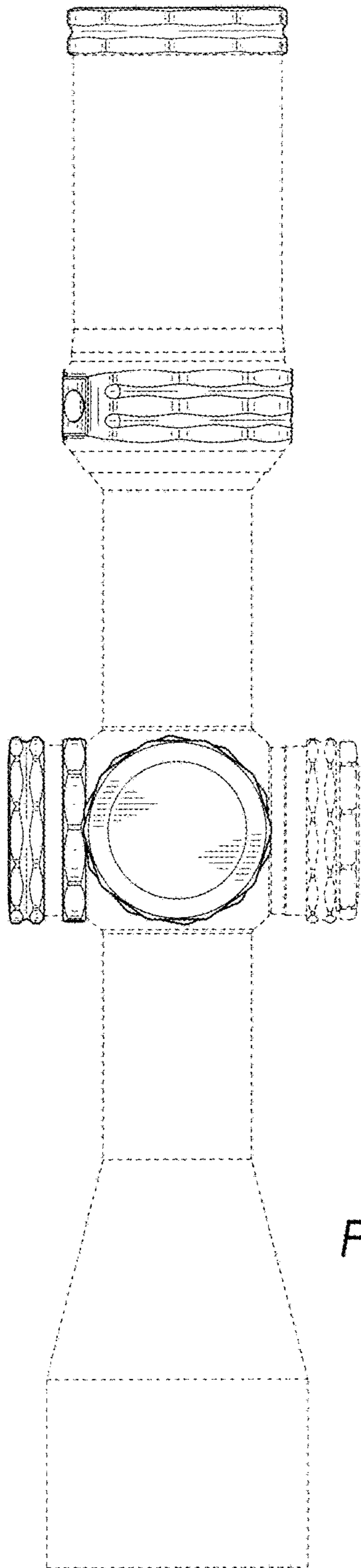


FIG. 5



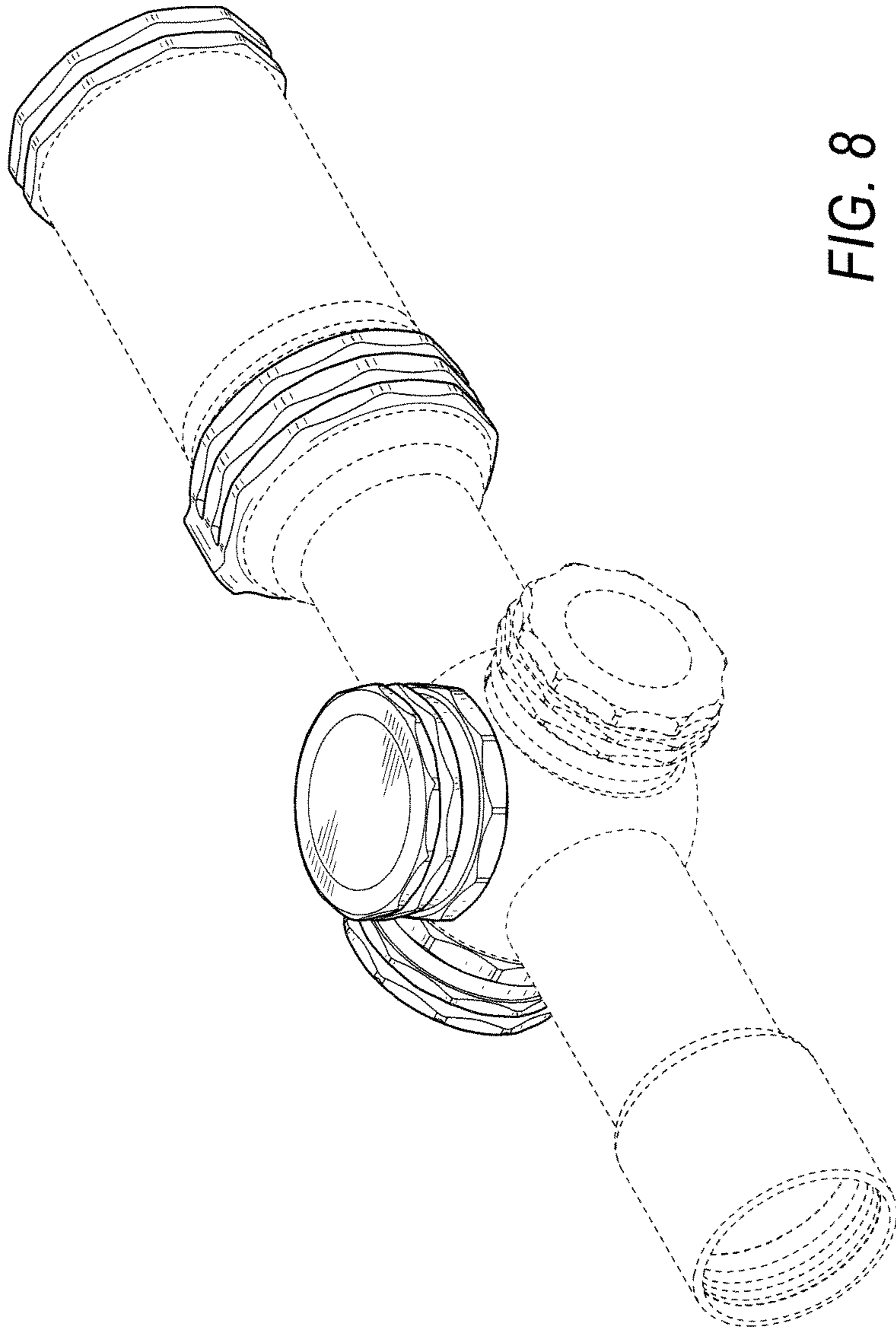


FIG. 8

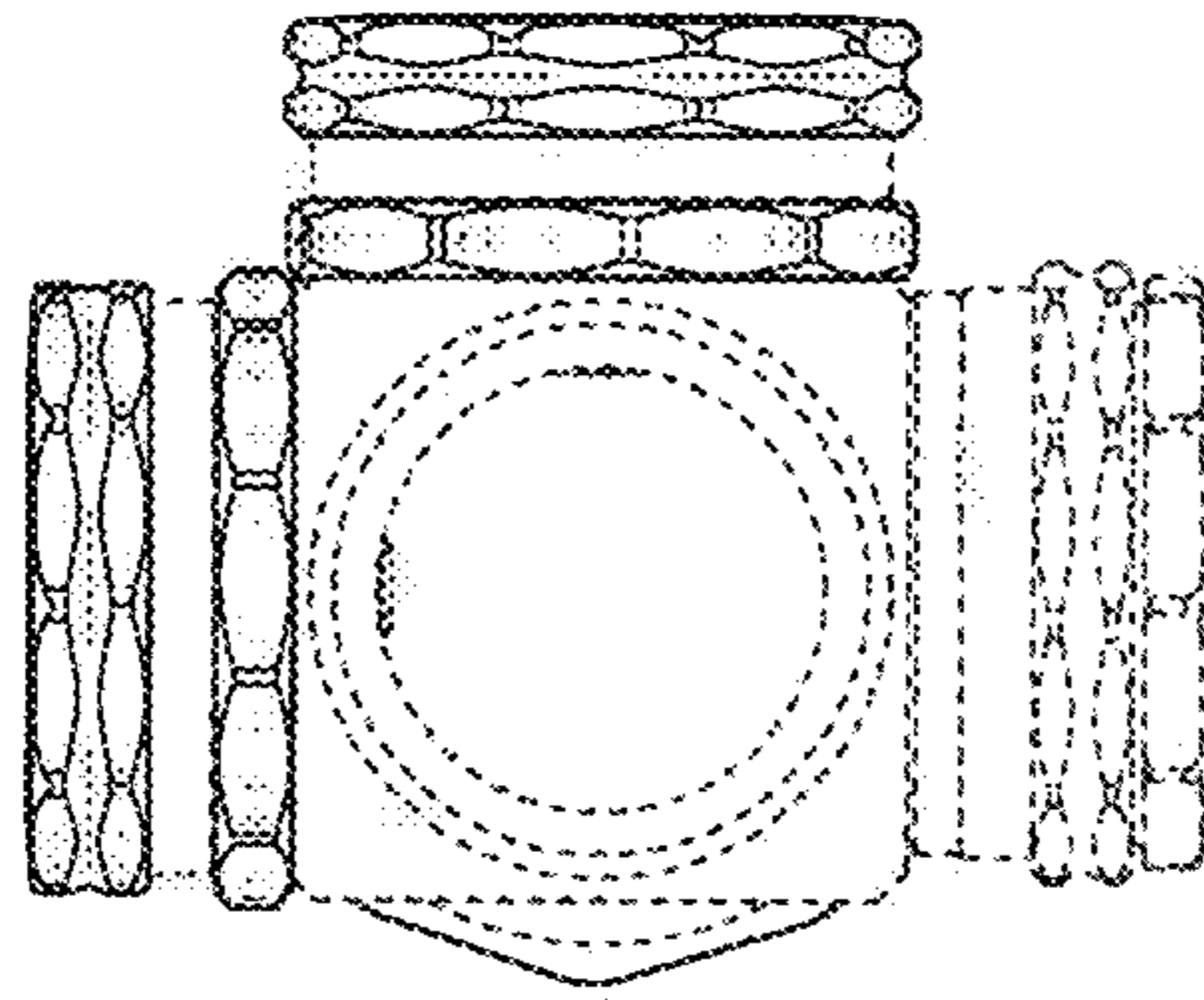


FIG. 9

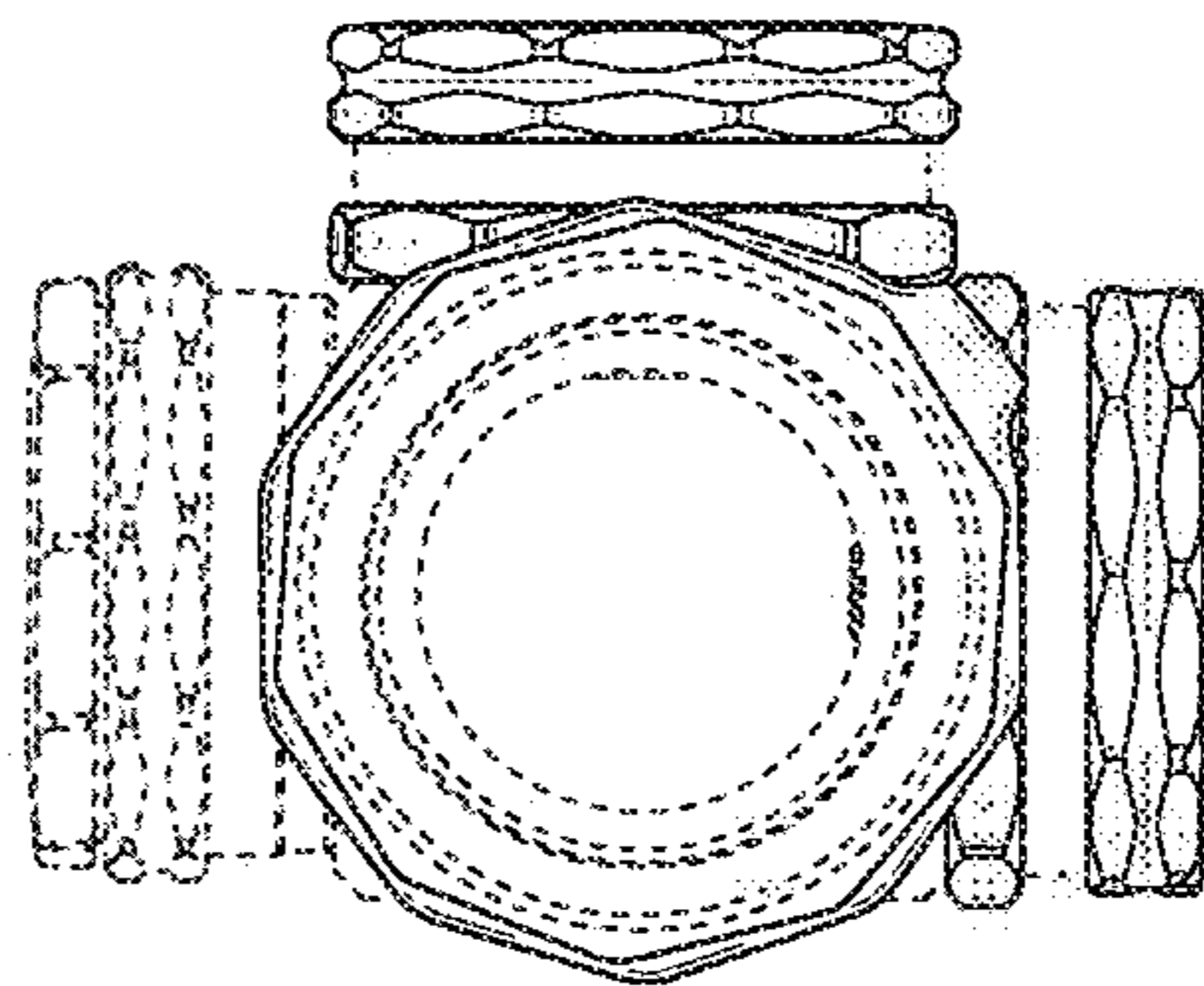


FIG. 10

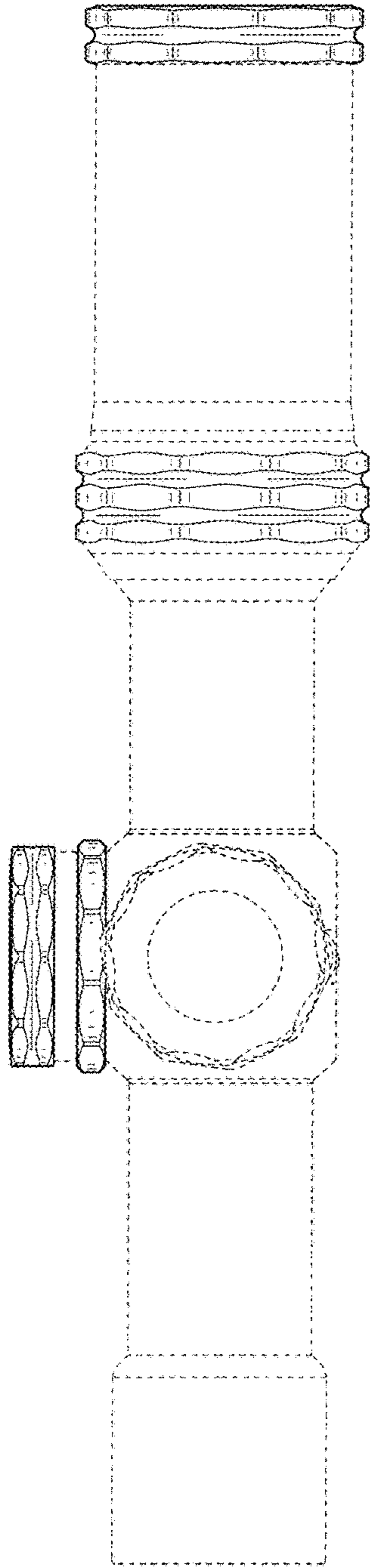


FIG. 11

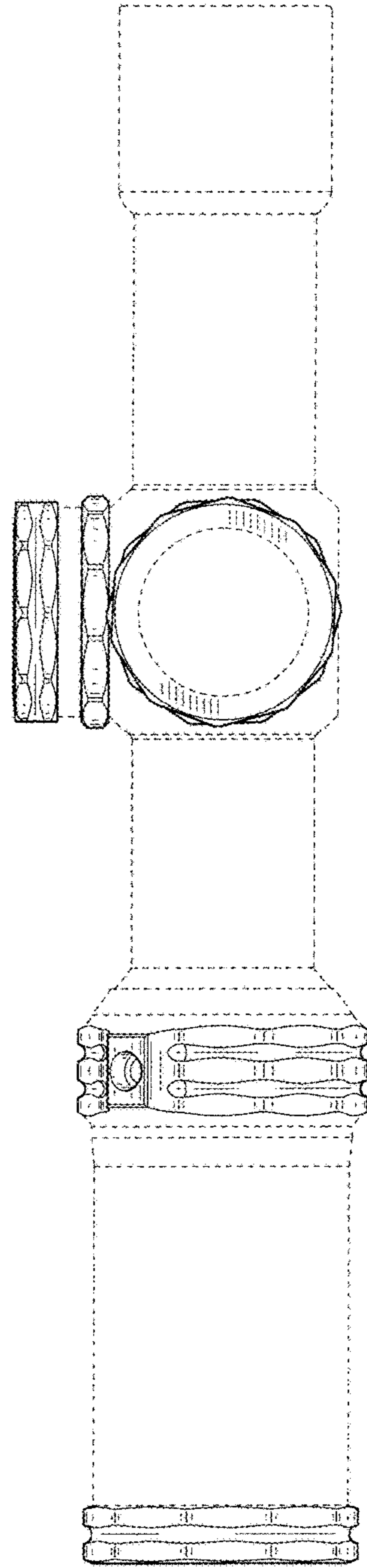


FIG. 12

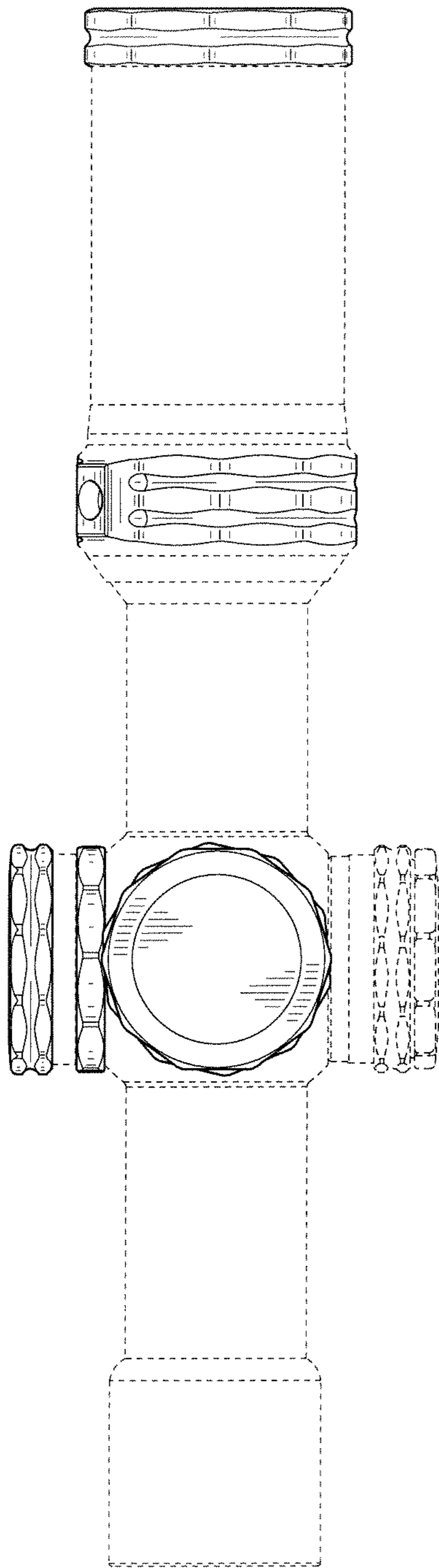


FIG. 13

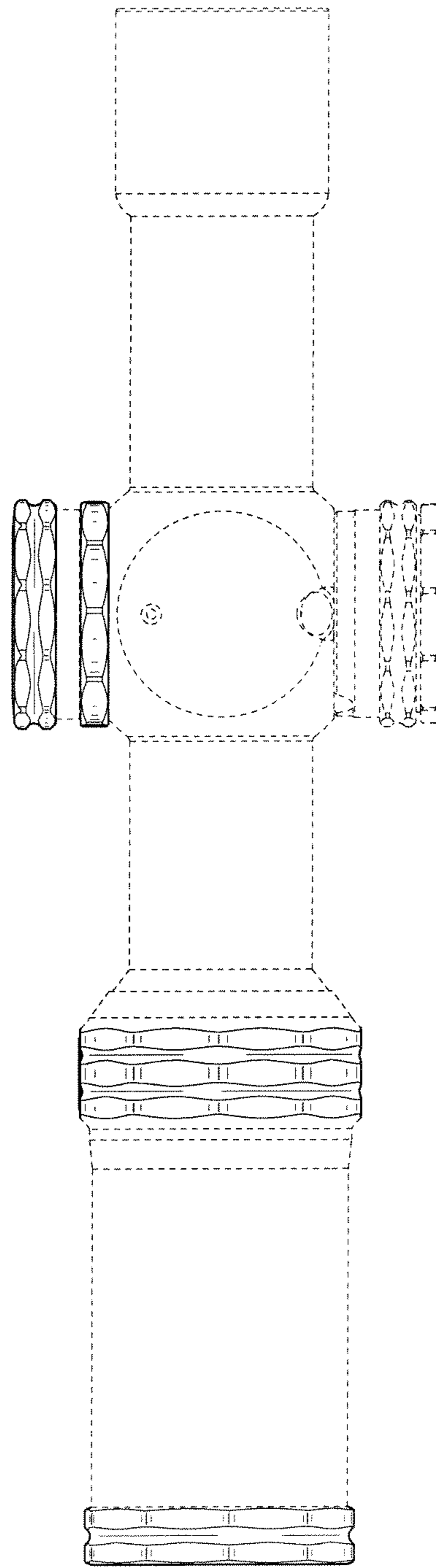


FIG. 14