



US00D844089S

(12) **United States Design Patent**
Rodich

(10) **Patent No.:** **US D844,089 S**
(45) **Date of Patent:** **** Mar. 26, 2019**

(54) **BOW RISER FOR AN ARCHERY BOW**

(71) Applicant: **NXT Generation, LLC**, Northfield, OH (US)

(72) Inventor: **Rudy D. Rodich**, Aurora, OH (US)

(73) Assignee: **NXT Generation, LLC**, Northfield, OH (US)

(**) Term: **15 Years**

(21) Appl. No.: **29/604,556**

(22) Filed: **May 18, 2017**

(51) **LOC (11) Cl.** **22-01**

(52) **U.S. Cl.**
USPC **D22/107**

(58) **Field of Classification Search**
USPC D22/104–105, 107–110, 199;
D21/571–575
CPC .. F41B 5/0031; F41B 5/10; F41B 5/14; F41B
5/1403; F41B 5/00; F41B 5/1484
See application file for complete search history.

(56) **References Cited**

U.S. PATENT DOCUMENTS

3,207,146	A	9/1965	Grable	
3,377,999	A	4/1968	Bennett	
3,777,734	A	12/1973	Rose	
4,282,850	A	8/1981	Warnicke	
D262,479	S	12/1981	Stewart	
4,572,153	A	2/1986	MacPherson	
D297,965	S	10/1988	Luse	
5,001,837	A	3/1991	Bray	
5,005,554	A	4/1991	Shepley et al.	
5,119,796	A	6/1992	Dehlbom	
D337,796	S	7/1993	Sutyak	
5,682,871	A *	11/1997	Walk	F41B 5/10 124/24.1
5,853,001	A	12/1998	Vyprachticky	
5,921,227	A	7/1999	Allshouse et al.	
6,092,516	A	7/2000	Martin et al.	
D439,627	S	3/2001	D'Acquisto	

(Continued)

OTHER PUBLICATIONS

NXT Generation Nitro Blazer Compound Bow Kit, posted at Amazon, review posted Jan. 8, 2017. [Site visited] URL: <https://www.amazon.com/Generation-Nitro-Blazer-Compound-Orange/dp/B01HR0NFLQ> (Year: 2017).*

(Continued)

Primary Examiner — Kevin K Rudzinski

Assistant Examiner — Kathleen L Jones

(74) *Attorney, Agent, or Firm* — Rankin, Hill & Clark LLP

(57) **CLAIM**

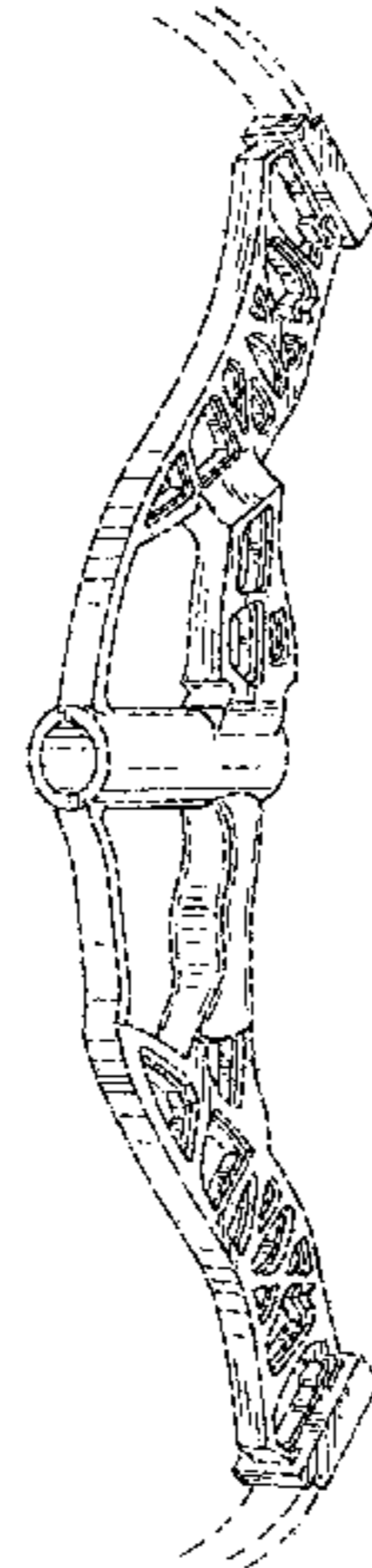
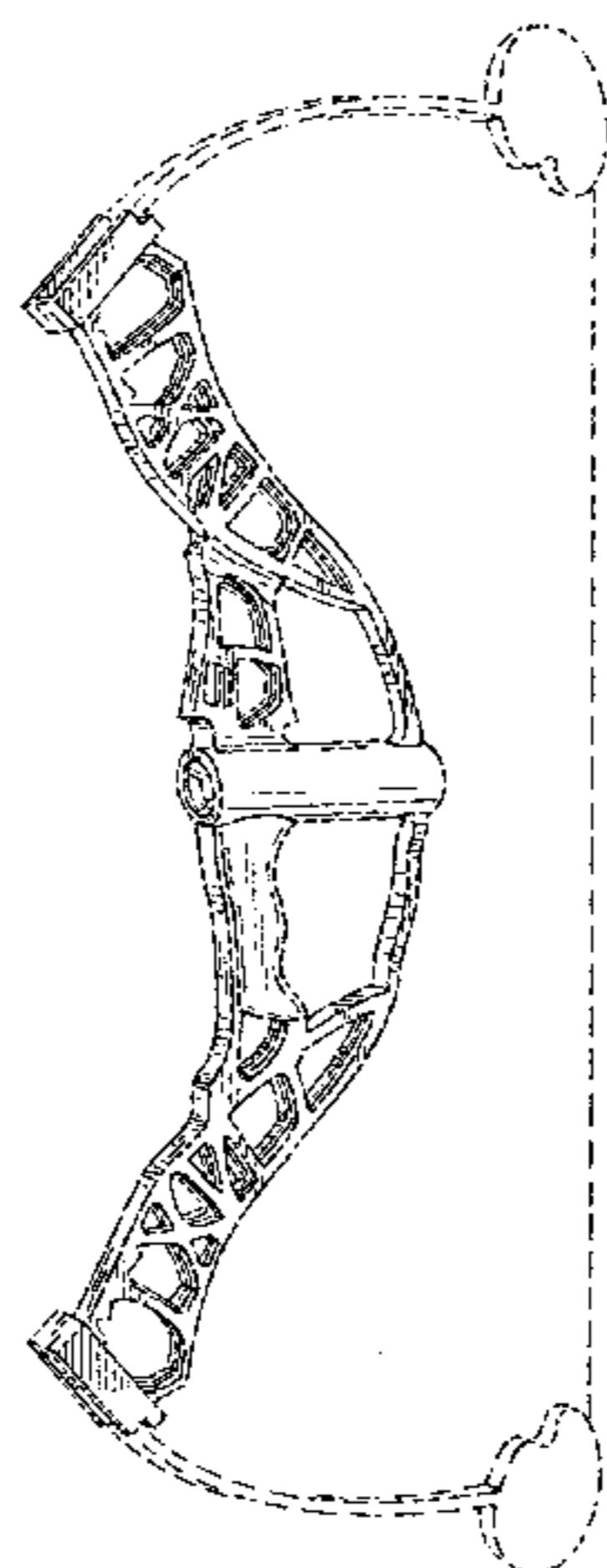
The ornamental design for a bow riser for an archery bow, as shown and described.

DESCRIPTION

FIG. 1 is a front left perspective view of a bow riser for an archery bow in accordance with the present invention; FIG. 2 is a rear right perspective view of the bow riser for an archery bow shown in FIG. 1; FIG. 3 is a left side elevational view of the bow riser for an archery bow shown in FIG. 1; FIG. 4 is a front elevational view of the bow riser for an archery bow shown in FIG. 1; FIG. 5 is a rear elevational view of the bow riser for an archery bow shown in FIG. 1; FIG. 6 is a right side elevational view of the bow riser for an archery bow shown in FIG. 1; FIG. 7 is a top view of the bow riser for an archery bow shown in FIG. 3; and, FIG. 8 is a bottom view of the bow riser for an archery bow shown in FIG. 3.

The broken lines showing mounting arrangements and other components of an archery bow are for illustrative purposes only and form no part of the claimed design.

1 Claim, 5 Drawing Sheets



(56)

References Cited

U.S. PATENT DOCUMENTS

6,321,736 B1 * 11/2001 McPherson F41B 5/105
124/25
D503,958 S * 4/2005 Kronengold D22/107
6,886,549 B2 5/2005 McPherson
6,889,683 B1 5/2005 Smith
6,938,615 B1 9/2005 Walker et al.
D528,625 S * 9/2006 Blosser D22/107
D533,250 S * 12/2006 Sims D22/107
7,770,768 B1 * 8/2010 Primos F41B 5/14
224/607
D623,252 S * 9/2010 Pellegrini D22/107
D637,679 S * 5/2011 McPherson D22/107
7,987,842 B2 8/2011 McPherson
7,997,261 B2 8/2011 Scaniffe
8,371,283 B2 2/2013 Grace et al.
8,372,478 B1 * 2/2013 Harris B05D 5/066
427/195
8,425,820 B2 4/2013 Pilpel
8,505,526 B1 8/2013 McPherson et al.
8,596,256 B2 12/2013 McPherson
8,627,810 B2 * 1/2014 McPherson F41B 5/10
124/23.1
D701,933 S * 4/2014 McPherson D22/107
D706,375 S 6/2014 Rodich
D710,475 S 8/2014 Box et al.
D737,395 S 8/2015 Rodich
D738,440 S * 9/2015 Cummings D21/571
D738,441 S * 9/2015 Cummings D21/571
D738,442 S * 9/2015 Cummings D21/571

D741,439 S * 10/2015 Rodich D21/571
9,341,422 B2 * 5/2016 Rodich F41A 9/73
D775,704 S * 1/2017 Nevels D22/107
D791,248 S * 7/2017 Cummings D21/571
2003/0172915 A1 9/2003 Andrews
2006/0144382 A1 * 7/2006 Achkar F41B 5/14
124/86
2008/0127961 A1 * 6/2008 McPherson F41B 5/10
124/88
2012/0042861 A1 2/2012 Anselmo
2013/0298891 A1 11/2013 Romney
2013/0306046 A1 11/2013 Ady et al.
2014/0223796 A1 * 8/2014 Coonrod F41B 5/1453
42/94
2014/0366860 A1 * 12/2014 Naki F41B 5/148
124/86
2016/0076849 A1 * 3/2016 Gold F41B 5/1403
124/23.1
2017/0122694 A1 * 5/2017 Achkar F41B 5/1403
2018/0058798 A1 * 3/2018 Coalson F41B 5/143
2018/0135935 A1 * 5/2018 McPherson F41B 5/10
2018/0306549 A1 * 10/2018 Trpkovski F41B 5/0031

OTHER PUBLICATIONS

Hoyt Ignite Review, posted at CompoundBowChoice, review date Nov. 20, 2014. [Site visited Nov. 8, 2018] URL: <<http://compoundbowchoice.com/brands/hoyt/ignite/review/>> (Year: 2014).* Photographs of Applicant's product shown in Oct. 2007 catalog.

* cited by examiner

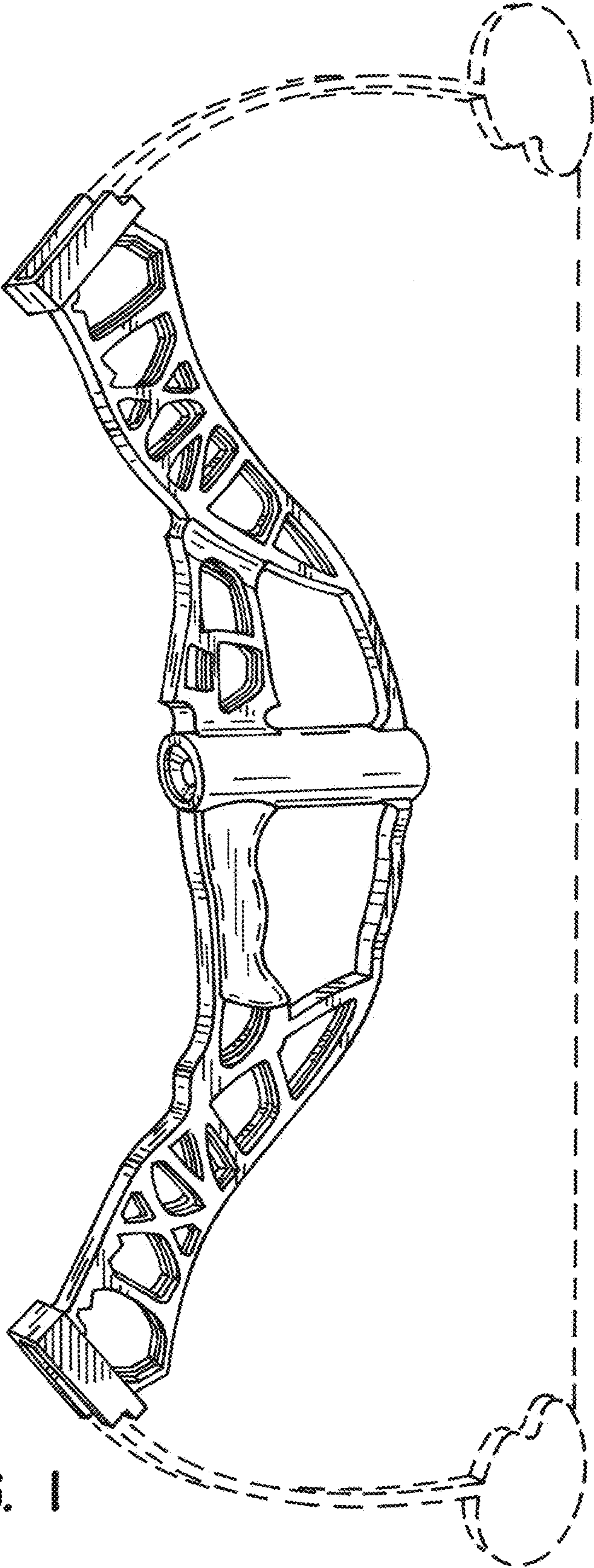


FIG. 1

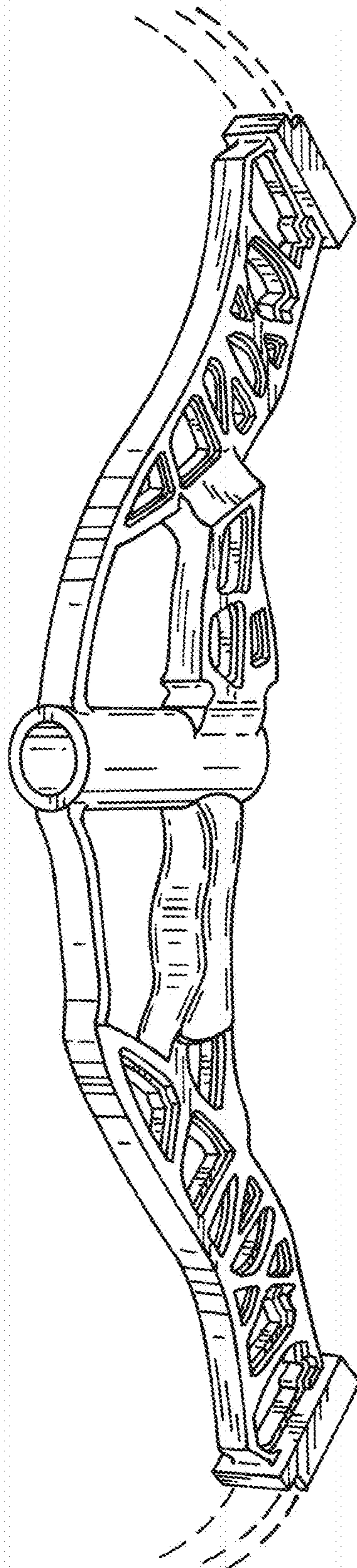


FIG. 2



FIG. 4

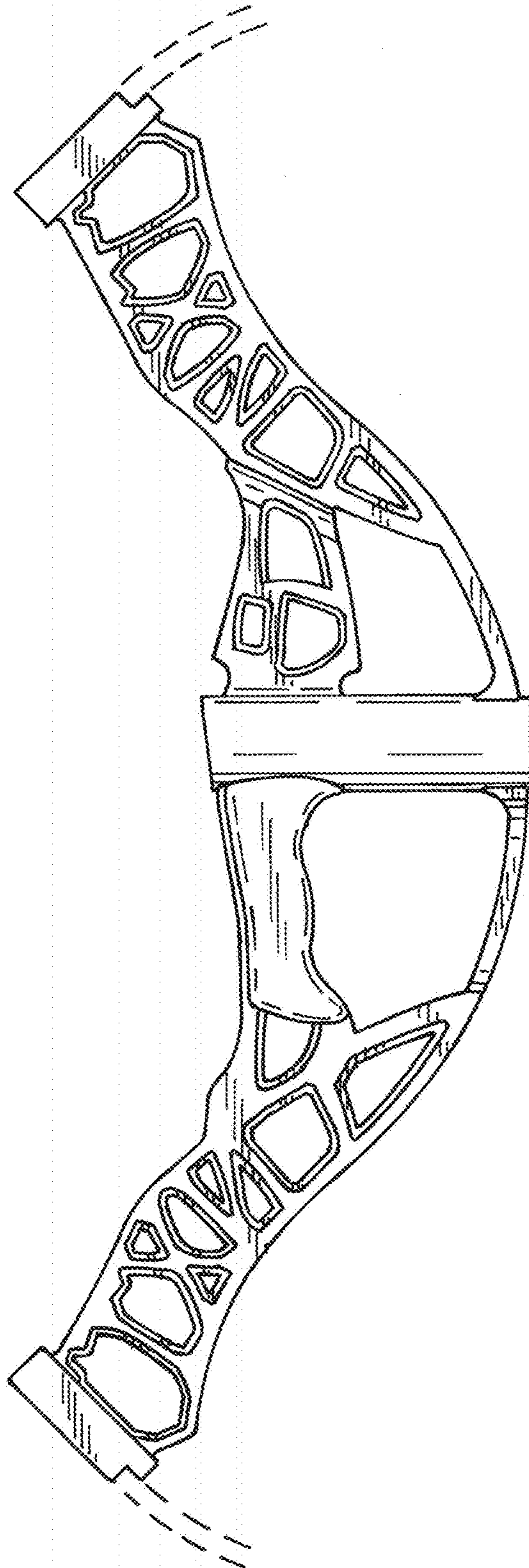


FIG. 3

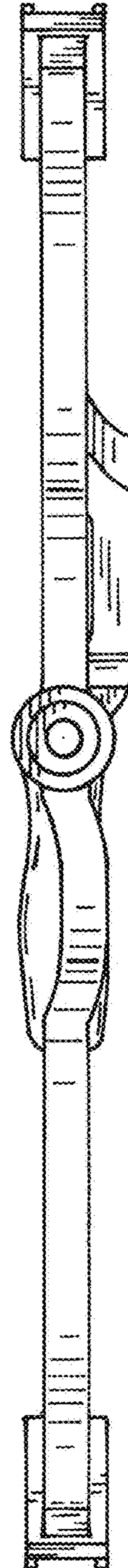


FIG. 5

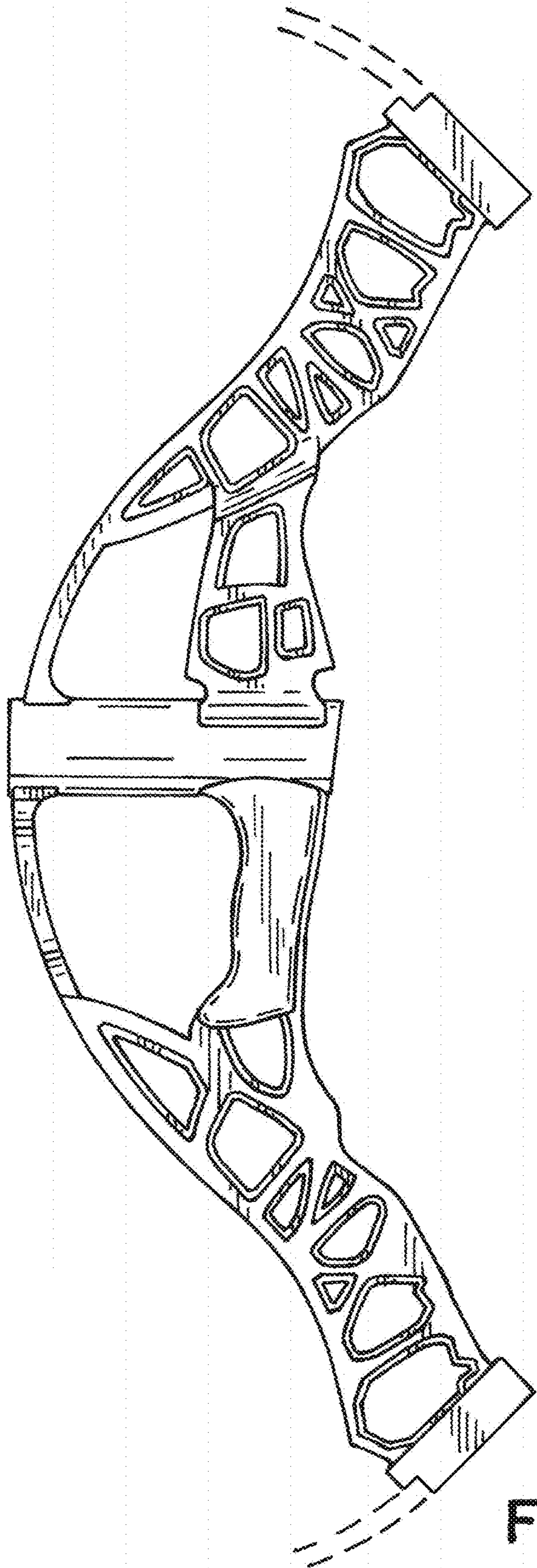


FIG. 6

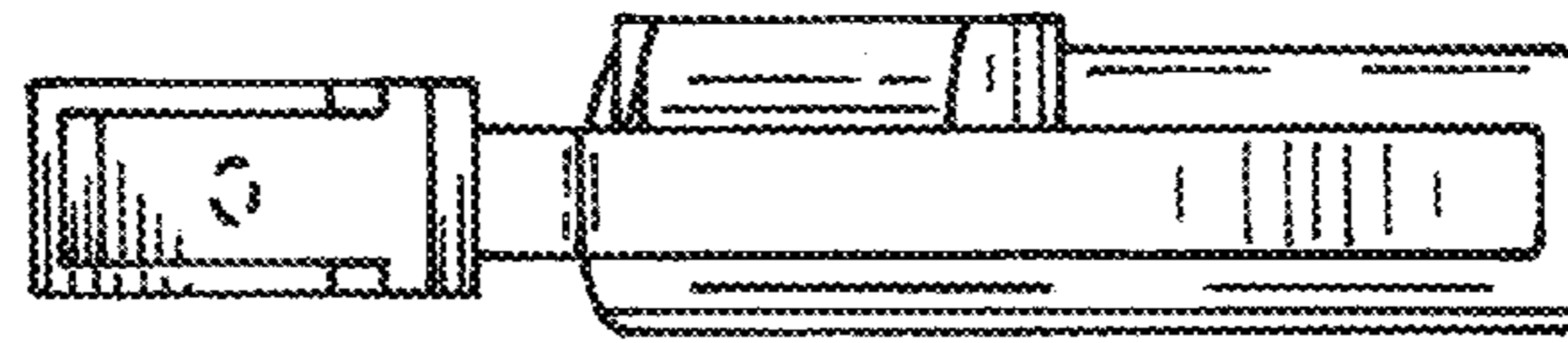


FIG. 7

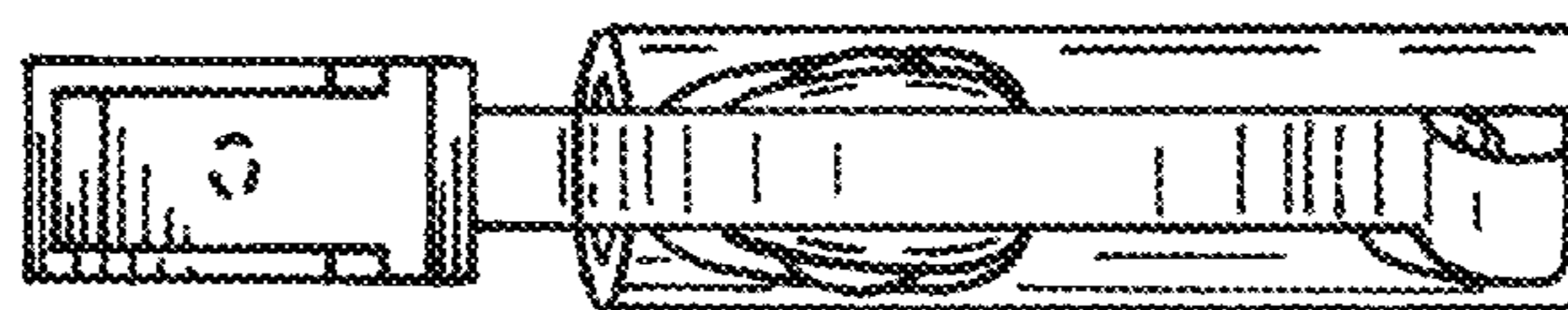


FIG. 8