



US00D844086S

(12) **United States Design Patent**  
**Boggs**

(10) **Patent No.:** **US D844,086 S**  
(45) **Date of Patent:** **\*\* Mar. 26, 2019**

- (54) **GOLF CLUB HEAD**
- (71) Applicant: **Golf Tailor, LLC**, Edmond, OK (US)
- (72) Inventor: **Joshua M. Boggs**, Aledo, TX (US)
- (73) Assignee: **Golf Tailor, LLC**, Edmond, OK (US)
- (\*\*) Term: **15 Years**
- (21) Appl. No.: **29/625,452**
- (22) Filed: **Nov. 9, 2017**
- (51) **LOC (11) Cl.** ..... **21-02**
- (52) **U.S. Cl.**  
USPC ..... **D21/752**
- (58) **Field of Classification Search**  
USPC ..... D21/733, 752, 759  
CPC ..... A63B 53/00; A63B 53/04; A63B 53/0466;  
A63B 2053/002; A63B 2053/0445; A63B  
2053/0433; A63B 2053/0491; A63B  
2053/0437  
See application file for complete search history.

- 4,332,388 A 6/1982 Crow
- D266,344 S 9/1982 Duclos
- D271,784 S 12/1983 Caskey et al.
- (Continued)

FOREIGN PATENT DOCUMENTS

- CA 2636938 1/2009
- CA 2791280 6/2013
- (Continued)

*Primary Examiner* — Mitchell I. Siegel  
(74) *Attorney, Agent, or Firm* — Caesar Rivise, PC

(57) **CLAIM**

The ornamental design for the golf club head, as shown and described.

**DESCRIPTION**

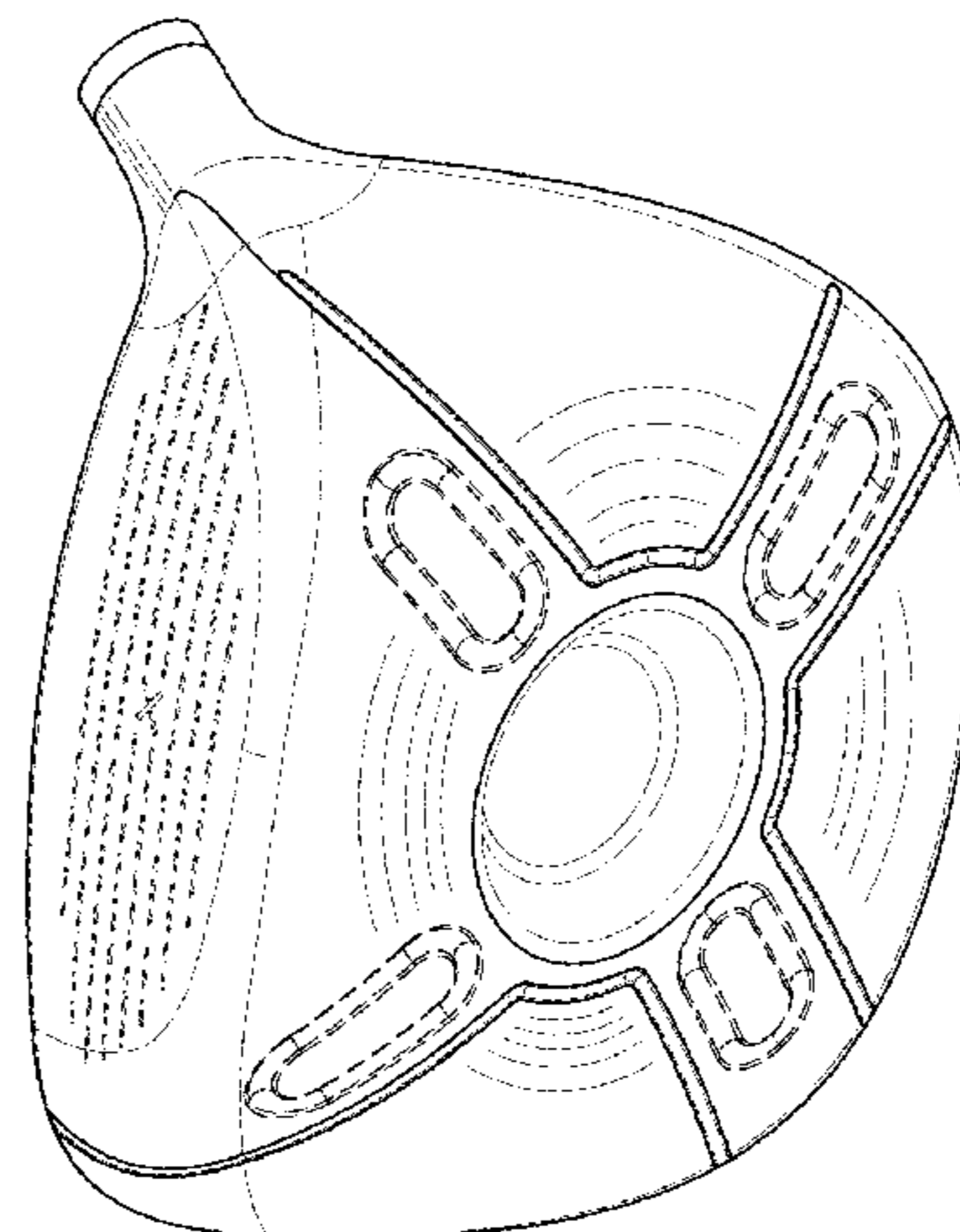
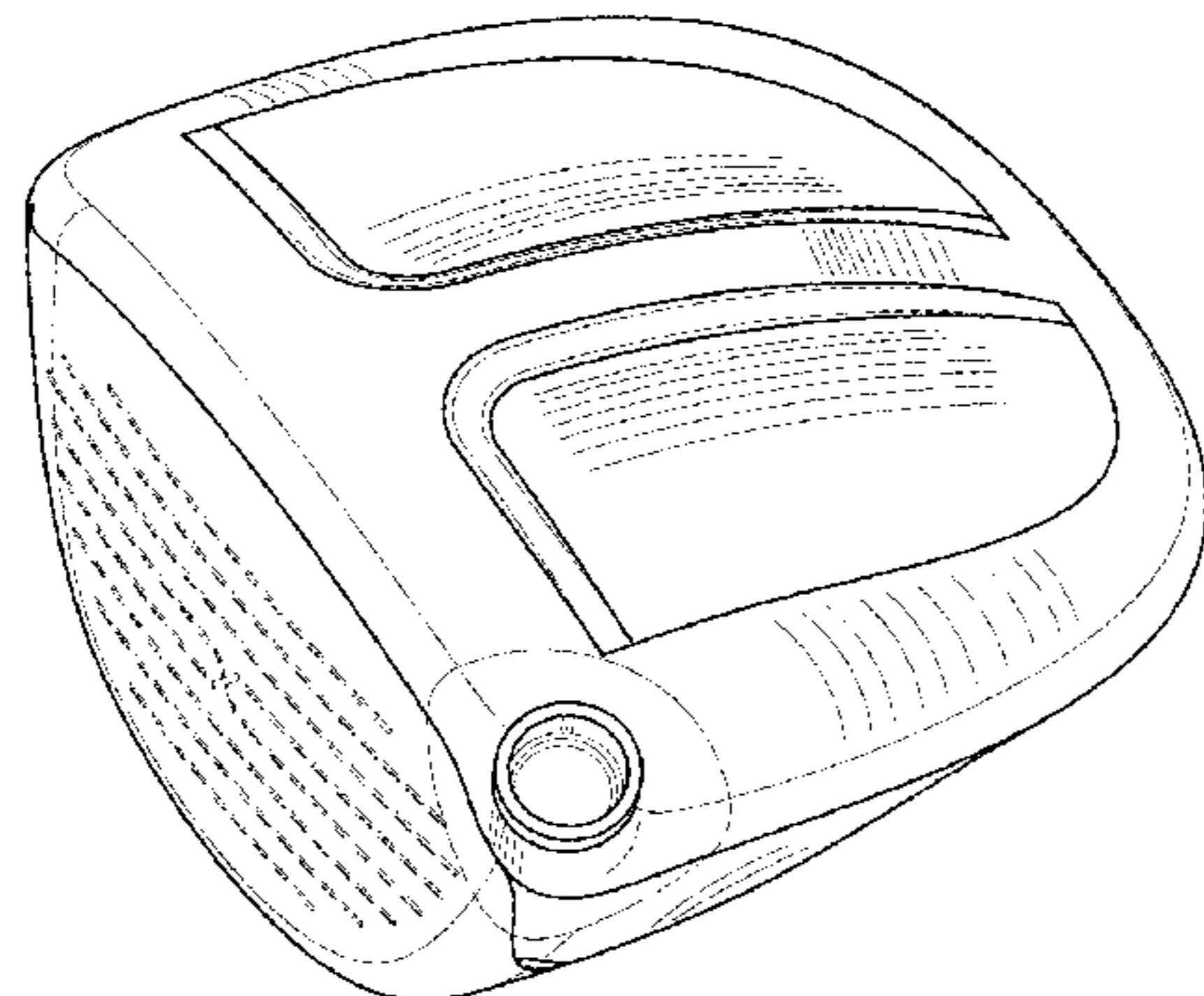
FIG. 1 is a top isometric view of a golf club head showing our new design;  
 FIG. 2 is a bottom isometric view of the golf club head of FIG. 1;  
 FIG. 3 is a front elevation view of the golf club head of FIG. 1;  
 FIG. 4 is a rear elevation view of the golf club head of FIG. 1;  
 FIG. 5 is a top plan view of the golf club head of FIG. 1;  
 FIG. 6 is a bottom plan view of a golf club head of FIG. 1;  
 FIG. 7 is a right side elevation view of the golf club head of FIG. 1;  
 FIG. 8 is a left side elevation view of the golf club head of FIG. 1; and,  
 FIG. 9 is a cross-sectional view of the golf club head of FIG. 1, taken along line 9-9 of FIG. 5.  
 The features shown in broken lines in the drawing depict portions of the design that form no part of the claimed design.

(56) **References Cited**

U.S. PATENT DOCUMENTS

- 1,089,881 A 3/1914 Taylor
- 1,669,482 A 5/1928 Miller
- 1,695,598 A 12/1928 MacClain
- 1,913,821 A 6/1933 Stumpf
- 1,975,822 A 10/1934 Young
- 3,300,241 A \* 1/1967 Eberwein ..... A63B 47/02  
294/19.2
- 3,374,027 A \* 3/1968 Jacobs ..... A63B 47/02  
294/19.2
- D228,564 S 10/1973 Braly
- D231,625 S \* 5/1974 Werner ..... D21/745
- 3,810,631 A 5/1974 Braly
- 3,830,503 A 8/1974 Consoli
- 3,862,759 A 1/1975 Evans et al.
- 4,231,576 A 11/1980 Perkins
- D257,872 S \* 1/1981 MacDougall ..... D21/744
- D257,873 S \* 1/1981 MacDougall ..... D21/745

**1 Claim, 5 Drawing Sheets**





(56)

## References Cited

## U.S. PATENT DOCUMENTS

D301,907 S	6/1989	Muta		D438,922 S	3/2001	Asabuki	
D303,132 S	8/1989	Muta		D438,924 S	3/2001	Asabuki	
D318,087 S	7/1991	Helmstetter		D441,818 S	5/2001	Sato	
D327,522 S	6/1992	Antonious		D446,567 S	8/2001	Nagai et al.	
D327,724 S	7/1992	Antonious		D454,606 S	3/2002	Helmstetter et al.	
D328,482 S	8/1992	Antonious		D456,056 S	4/2002	Bakke	
D328,483 S	8/1992	Antonious		D457,211 S	5/2002	Bakke	
D328,628 S	8/1992	Antonious		D460,991 S	7/2002	Madore	
D329,676 S	9/1992	Antonious		6,422,951 B1 *	7/2002	Burrows .....	A63B 53/04 473/328
D329,905 S	9/1992	Antonious		D461,865 S	8/2002	Nagai et al.	
D330,400 S	10/1992	Antonious		D482,419 S *	11/2003	Burrows .....	D21/752
5,160,136 A	11/1992	Eger		D485,878 S	1/2004	Tang	
D332,476 S	1/1993	Dauguard		D486,542 S *	2/2004	Burrows .....	D21/752
5,213,329 A	5/1993	Okumoto et al.		D490,870 S *	6/2004	Burrows .....	A63B 53/0466 D21/752
D339,183 S	9/1993	Stites, III		6,780,121 B2	8/2004	Herber	
5,273,283 A *	12/1993	Bowland .....	A63B 53/04 473/338	D496,420 S *	9/2004	Nishitani .....	D21/752
5,280,911 A	1/1994	Katayama		D501,669 S *	2/2005	Burrows .....	D21/752
D344,118 S	2/1994	Lin		D502,976 S *	3/2005	Nishitani .....	D21/752
D344,561 S	2/1994	Gorman		D505,465 S	5/2005	Liou	
D345,403 S	3/1994	Sanchez		D507,030 S *	7/2005	Burrows .....	D21/752
D352,983 S	11/1994	Williams, Jr.		D510,970 S	10/2005	Elias	
D356,356 S *	3/1995	Jacobs .....	D21/744	D515,642 S	2/2006	Antonious	
D357,045 S	4/1995	Simmons		D515,643 S	2/2006	Antonious	
5,413,336 A	5/1995	Iwanaga		D523,104 S	6/2006	Hasebe	
5,447,307 A	9/1995	Antonious		D523,508 S	6/2006	Shenoha	
D362,885 S	10/1995	Blough et al.		D524,889 S	7/2006	Yu et al.	
D363,961 S *	11/1995	Krzymowek .....	D21/752	D531,245 S	10/2006	Shenoha	
D364,206 S	11/1995	Schmidt et al.		D531,686 S	11/2006	Mahaffey	
D364,435 S	11/1995	Wood		D558,288 S	12/2007	Jertson et al.	
D364,666 S *	11/1995	Nagy .....	D21/743	D561,280 S	2/2008	Rollinson	
D365,865 S	1/1996	Antonious		D561,853 S	2/2008	Haralson et al.	
D366,682 S	1/1996	Antonious		D562,421 S	2/2008	Jertson et al.	
5,480,145 A	1/1996	Sherwood		D564,055 S	3/2008	Jertson et al.	
D368,752 S *	4/1996	Patten .....	D21/745	D569,465 S	5/2008	Yi et al.	
D368,945 S	4/1996	Linuma et al.		D569,934 S	5/2008	Jertson et al.	
D370,514 S	6/1996	Blough et al.		D569,935 S	5/2008	Schweigert et al.	
D371,181 S	6/1996	Antonious		D570,937 S	6/2008	Schweigert et al.	
D371,182 S	6/1996	Stites		D570,938 S	6/2008	Jertson et al.	
5,524,890 A	6/1996	Kim et al.		D578,587 S	10/2008	Hoffman et al.	
D371,816 S	7/1996	Yoshioka		D578,592 S	10/2008	Oldknow et al.	
D375,535 S	11/1996	Gorman		D579,064 S	10/2008	Beach et al.	
D376,632 S	12/1996	Simmons		D579,065 S	10/2008	Yi et al.	
D377,509 S	1/1997	Katayama		D579,066 S	10/2008	Dipert et al.	
D380,031 S	6/1997	Hutin et al.		D579,067 S	10/2008	Hoffman et al.	
D383,181 S	9/1997	Gorman		D580,504 S	11/2008	Bosilkovski et al.	
D385,003 S *	10/1997	Burrows .....	D21/752	D583,888 S	12/2008	Nehrbas	
D385,324 S	10/1997	Ubaney		D585,101 S	1/2009	Glod	
D388,142 S	12/1997	Miller		D586,416 S	2/2009	Kohno	
D390,294 S *	2/1998	Burrows .....	D21/752	7,500,926 B2	3/2009	Rae et al.	
D390,295 S *	2/1998	Burrows .....	D21/752	D592,723 S *	5/2009	Chau .....	D21/759
D392,354 S *	3/1998	Burrows .....	D21/752	D594,519 S *	6/2009	Chau .....	D21/752
D394,688 S	5/1998	Fox		7,563,178 B2	7/2009	Rae et al.	
5,762,566 A	6/1998	King et al.		D598,510 S	8/2009	Barez et al.	
D397,749 S *	9/1998	Burrows .....	D21/733	D603,918 S	11/2009	Simon et al.	
D398,355 S	9/1998	Chou et al.		7,618,330 B2	11/2009	Krewalk et al.	
D398,682 S	9/1998	Moore		D614,710 S	4/2010	Kim et al.	
5,803,830 A	9/1998	Austin et al.		D615,139 S	5/2010	Kim et al.	
D401,299 S *	11/1998	Burrows .....	D21/733	D616,512 S	5/2010	Mickelson et al.	
5,851,159 A *	12/1998	Burrows .....	A63B 53/04 473/345	D617,403 S	6/2010	Llewellyn et al.	
D404,783 S	1/1999	Best et al.		D617,858 S	6/2010	Llewellyn et al.	
D406,295 S *	3/1999	Long .....	D21/752	D618,293 S	6/2010	Foster et al.	
D408,880 S *	4/1999	Crow .....	D21/752	D618,745 S	6/2010	Breier et al.	
D410,057 S	5/1999	Ortiz		7,789,773 B2	9/2010	Rae et al.	
D413,642 S *	9/1999	Burrows .....	D21/752	D637,671 S	5/2011	Kim et al.	
D413,953 S *	9/1999	Burrows .....	D21/752	D638,894 S	5/2011	Potter	
5,976,029 A	11/1999	Sherwood		D641,818 S	7/2011	Foster et al.	
D418,183 S	12/1999	Takaoka et al.		D644,283 S	8/2011	Sargent et al.	
D425,158 S *	5/2000	Long .....	D21/752	D647,583 S	10/2011	Foster et al.	
D428,632 S	7/2000	Besnard et al.		D647,584 S	10/2011	Foster	
D429,300 S	8/2000	Cleveland et al.		D652,095 S	1/2012	Kim	
D437,903 S *	2/2001	Cope .....	D21/752	D652,880 S	1/2012	Foster et al.	
D438,277 S	2/2001	Hasebe		D656,210 S	3/2012	Foster	
D438,583 S	3/2001	O'Doherty et al.		D659,213 S	5/2012	Schultz	
				8,187,119 B2	5/2012	Rae et al.	
				8,192,304 B2	6/2012	Rae et al.	
				D663,370 S	7/2012	Kim et al.	
				D664,222 S *	7/2012	Lindsay .....	D21/733

(56)

References Cited

U.S. PATENT DOCUMENTS

D669,547 S 10/2012 Kim et al.  
 D673,232 S 12/2012 Kim  
 D673,630 S 1/2013 Schweigert et al.  
 D673,632 S 1/2013 Schweigert et al.  
 D680,179 S 4/2013 Solheim et al.  
 D681,757 S 5/2013 Foster  
 D682,962 S 5/2013 Llewellyn et al.  
 8,469,833 B1 6/2013 Schultz  
 8,529,369 B2 9/2013 Rae et al.  
 8,574,094 B2 11/2013 Nicolette et al.  
 D696,739 S 12/2013 Stokke et al.  
 8,608,587 B2 12/2013 Henrikson et al.  
 D698,880 S 2/2014 Donaghue  
 8,657,700 B2 2/2014 Nicolette et al.  
 8,690,710 B2 4/2014 Nicolette et al.  
 D707,772 S 6/2014 Oldknow  
 8,753,229 B2 6/2014 Rae et al.  
 8,753,230 B2 6/2014 Stokke et al.  
 D709,574 S 7/2014 Bacon et al.  
 8,795,102 B2 8/2014 Knight et al.  
 D712,989 S 9/2014 Gillig  
 D718,399 S 11/2014 Glod  
 D720,418 S 12/2014 Chen et al.  
 D721,147 S 1/2015 Chen et al.  
 D726,847 S \* 4/2015 Song ..... D21/752  
 D726,856 S 4/2015 Foster et al.  
 D732,621 S 6/2015 Dolezel et al.  
 D733,821 S 7/2015 Dolezel et al.  
 D733,824 S 7/2015 Tang et al.  
 9,079,080 B2 7/2015 Jertson et al.  
 D735,827 S 8/2015 Glod  
 D753,250 S 4/2016 Song et al.  
 D757,195 S 5/2016 Takagi et al.  
 D760,333 S 6/2016 Harrington et al.  
 D762,792 S 8/2016 Oliveira et al.  
 D763,375 S 8/2016 Chun  
 D765,803 S 9/2016 Oliveira et al.  
 D766,388 S 9/2016 Wang  
 D767,066 S 9/2016 Asazuma  
 D767,695 S 9/2016 Kitching, Jr.  
 D776,772 S 1/2017 Foster et al.  
 9,561,405 B2 2/2017 Rae et al.  
 D783,105 S 4/2017 Oyler  
 D783,748 S \* 4/2017 Song ..... D21/752  
 D785,111 S \* 4/2017 Song ..... D21/752

D789,469 S 6/2017 Oyler  
 D791,894 S 7/2017 Oyler  
 D792,538 S 7/2017 Oyler  
 D793,503 S 8/2017 Oyler  
 D806,813 S 1/2018 Song et al.  
 2009/0029791 A1 1/2009 Solheim  
 2010/0279794 A1 11/2010 Nicolette et al.  
 2010/0279795 A1 11/2010 Nicolette et al.  
 2010/0279796 A1 11/2010 Nicolette et al.  
 2011/0101444 A1 8/2011 Stokke et al.  
 2012/0077613 A1 3/2012 Jertson et al.  
 2014/0080621 A1 3/2014 Nicolette et al.  
 2014/0128175 A1 5/2014 Jertson et al.  
 2014/0295985 A1 10/2014 Stokke et al.  
 2017/0100647 A1 4/2017 Rae et al.

FOREIGN PATENT DOCUMENTS

CN 3210548 11/2001  
 CN 3582615 11/2006  
 CN 3624290 3/2007  
 CN 3643759 5/2007  
 CN 36434760 5/2007  
 CN 300706726 11/2007  
 CN 101204618 6/2008  
 CN 101204619 6/2008  
 CN 101234245 8/2008  
 CN 300828316 9/2008  
 CN 300868203 12/2008  
 CN 300897424 3/2009  
 CN 300925138 5/2009  
 CN 300936653 6/2009  
 CN 300998462 9/2009  
 CN 301005868 9/2009  
 CN 301014169 9/2009  
 CN 301219322 S 5/2010  
 CN 301458040 S 2/2011  
 CN 301906999 S 11/2011  
 CN 302203482 S 11/2012  
 CN 302342357 S 3/2013  
 CN 103127673 6/2013  
 CN 302773303 S 3/2014  
 CN 302944574 S 9/2014  
 CN 303199244 S 5/2015  
 GB 2451318 1/2009  
 GB 2496719 5/2013  
 WO WO2012125177 9/2012

\* cited by examiner



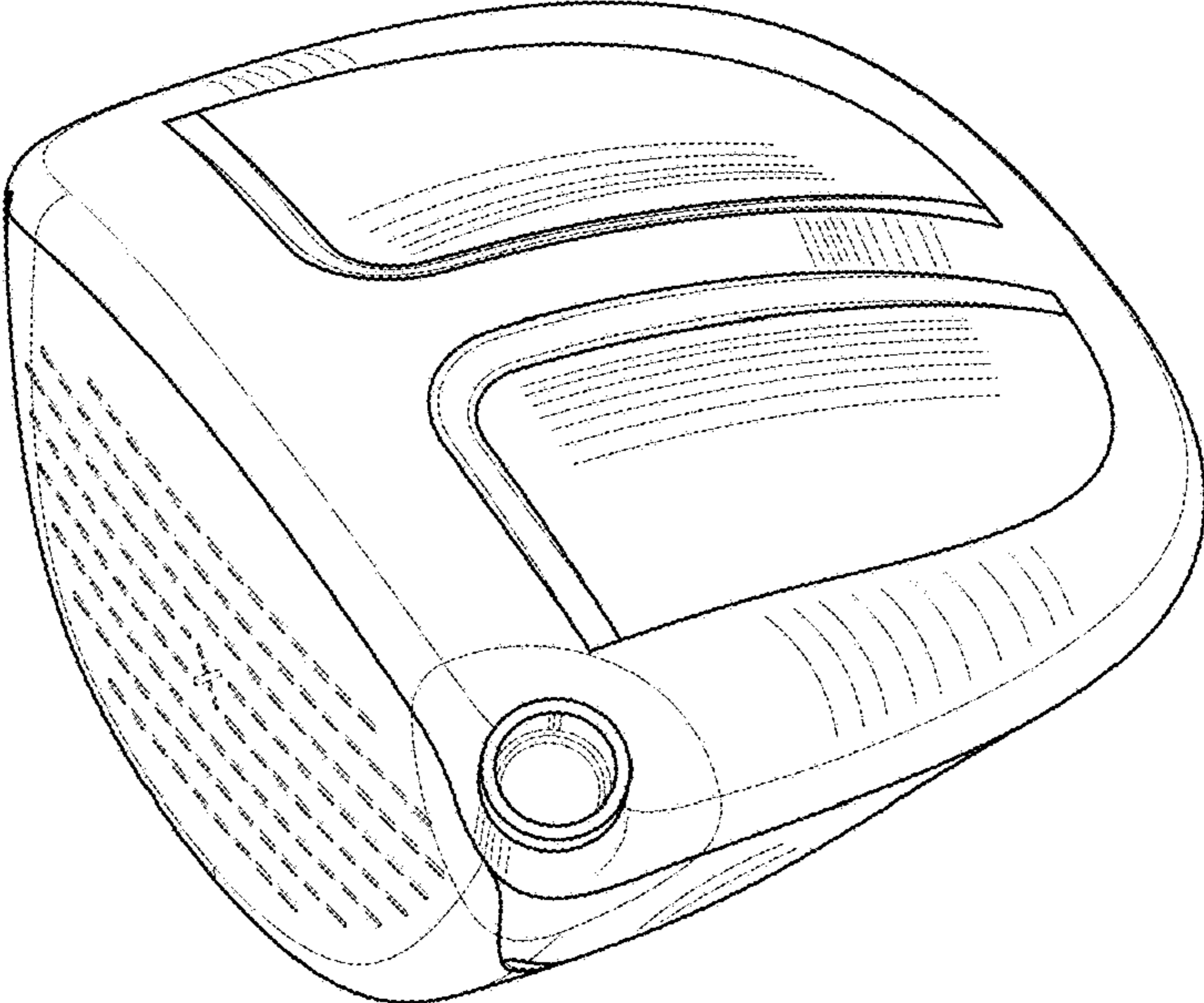


FIG. 1

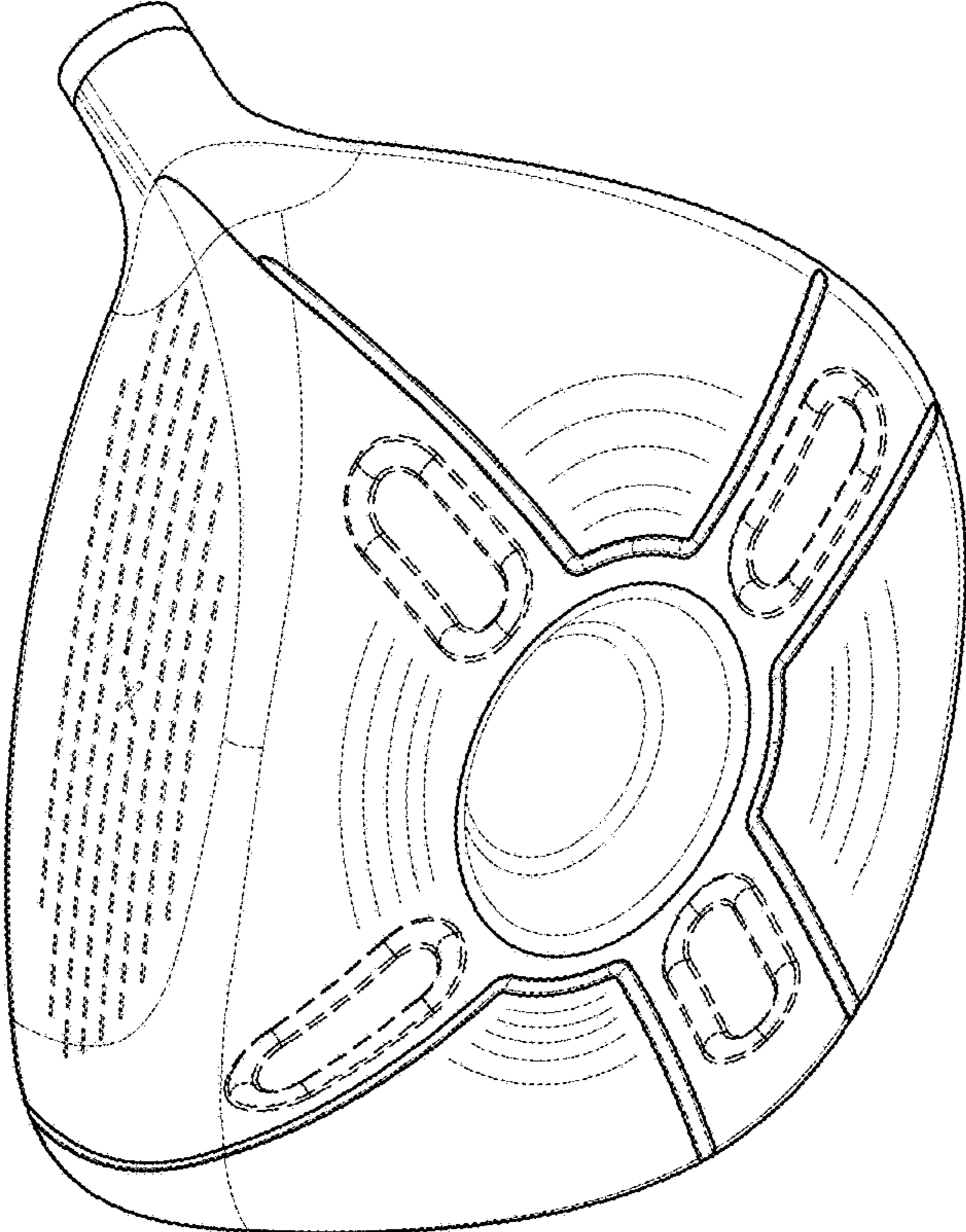


FIG. 2

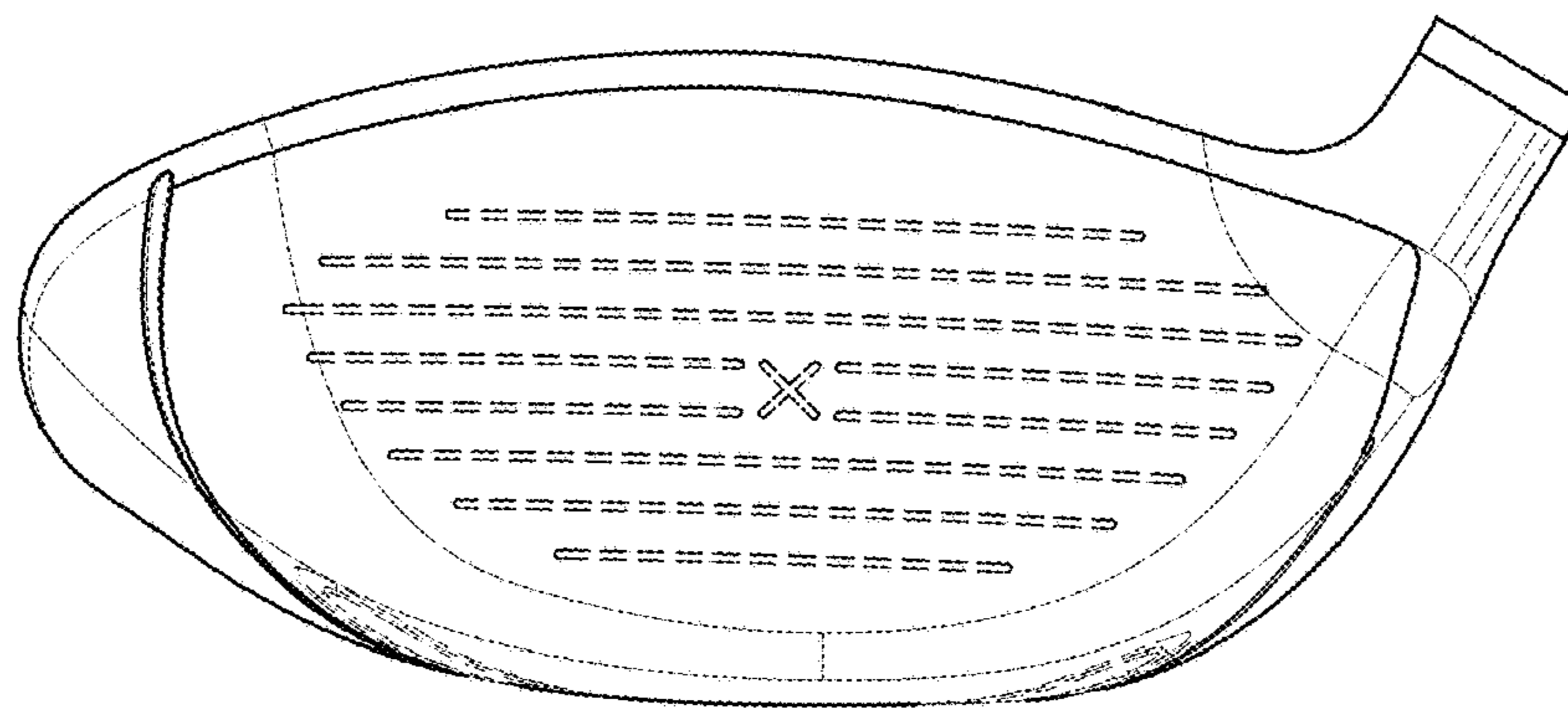


FIG. 3

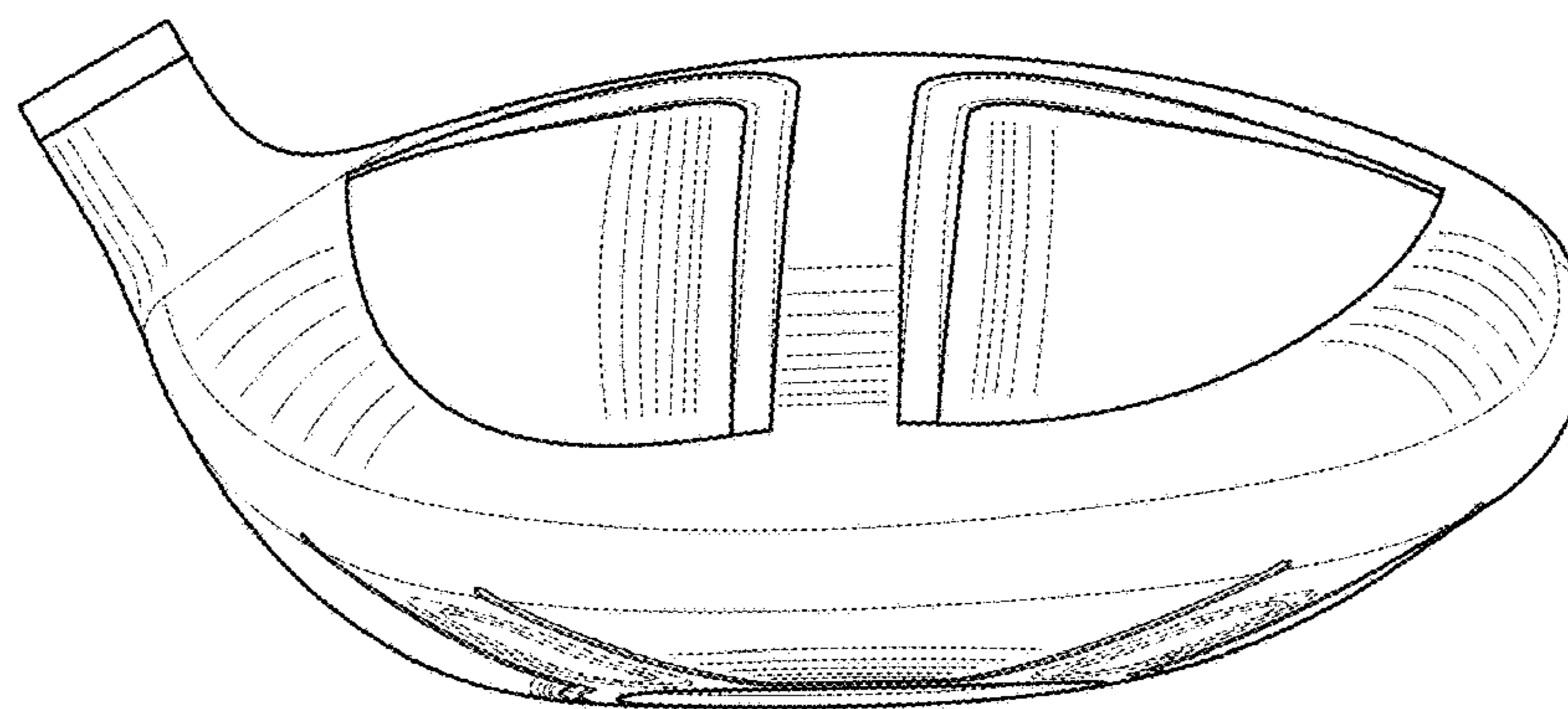


FIG. 4

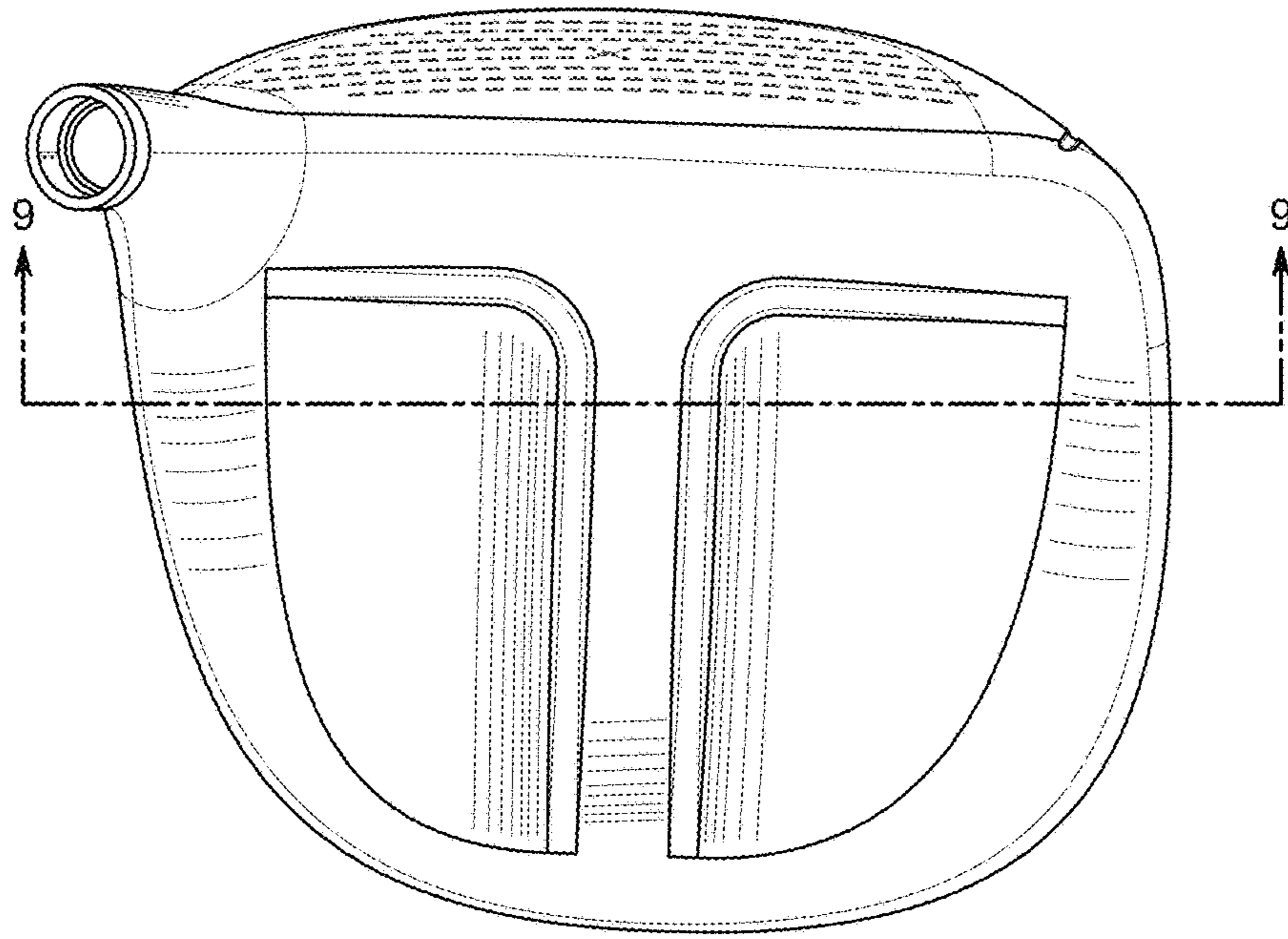


FIG. 5

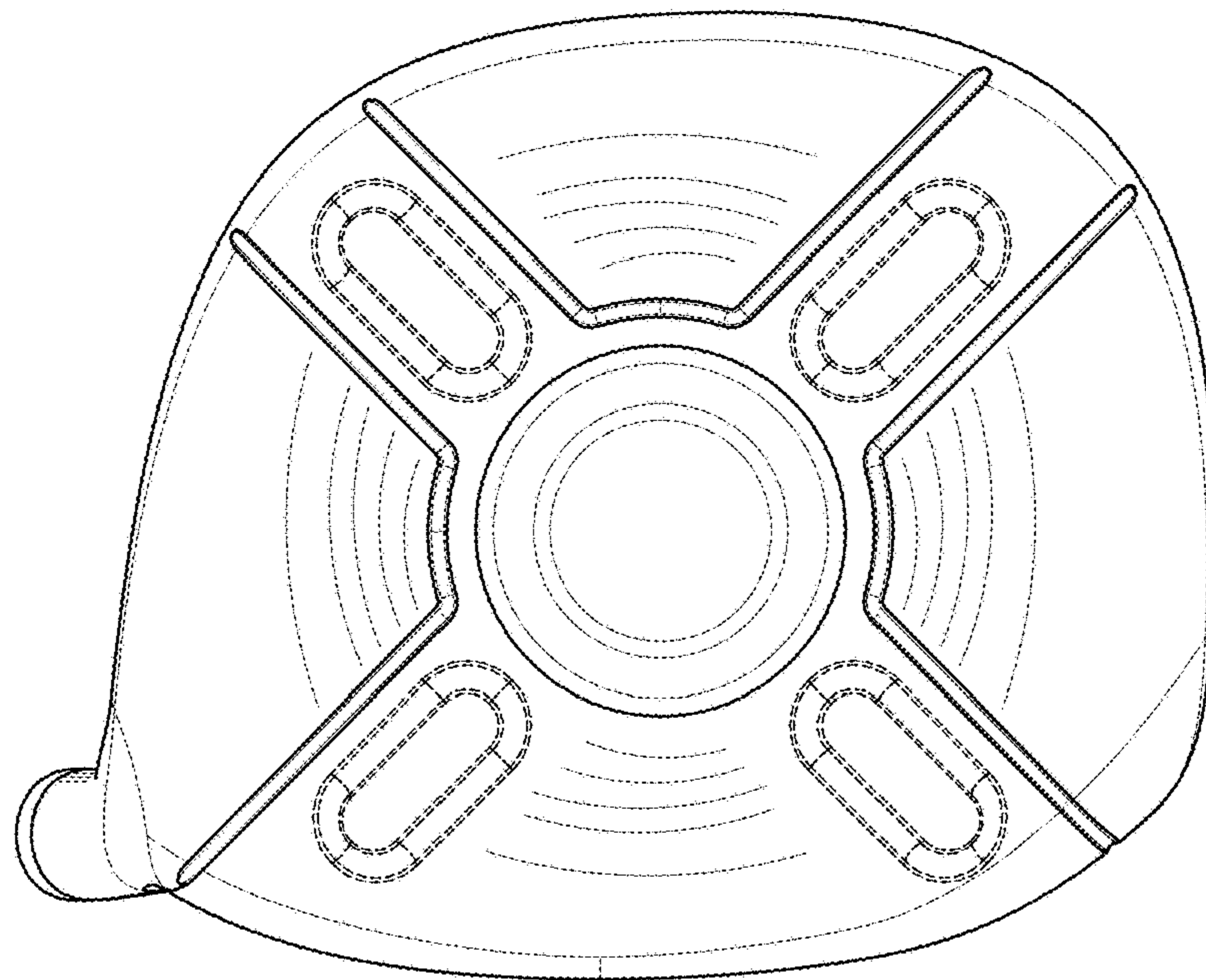


FIG. 6



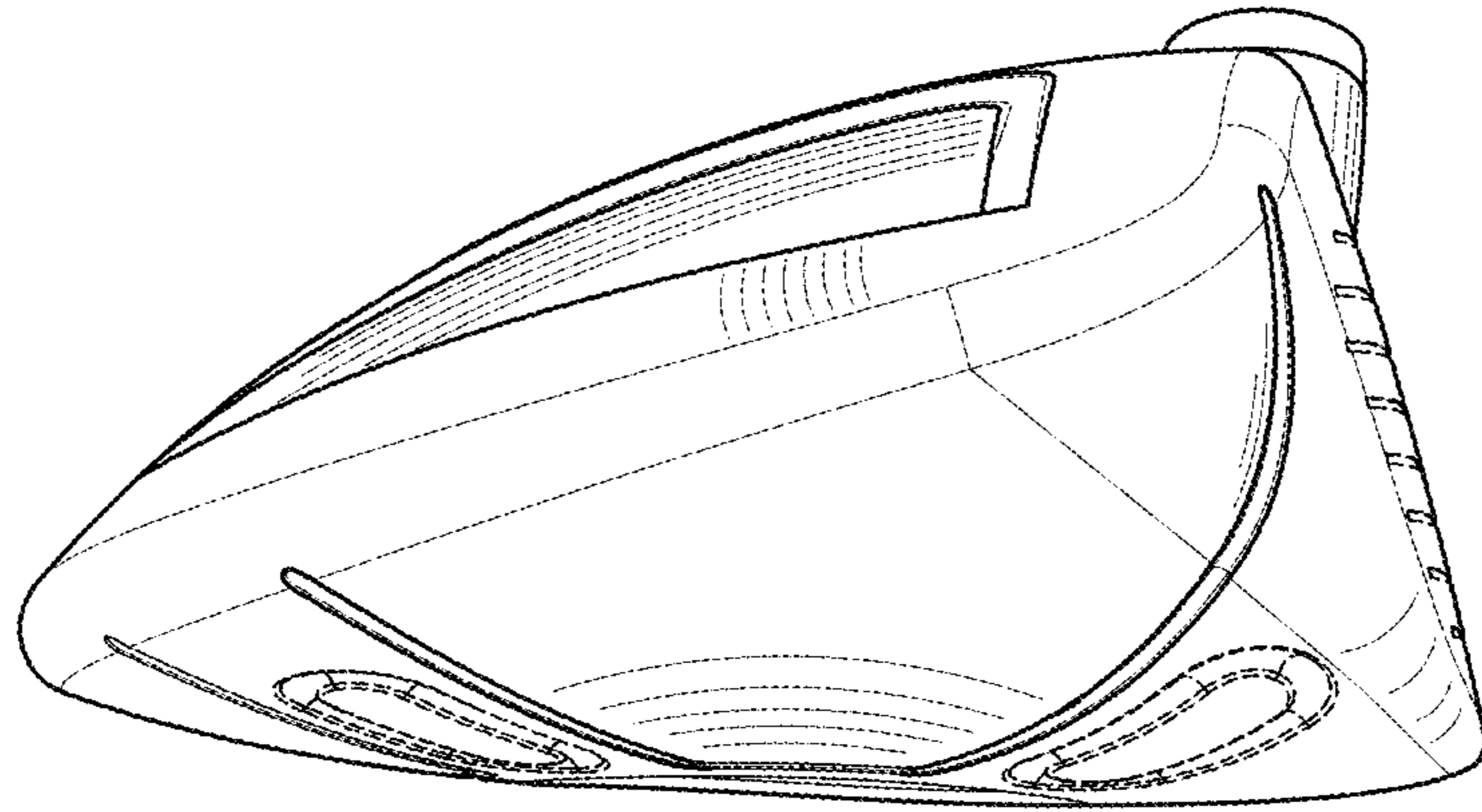


FIG. 7

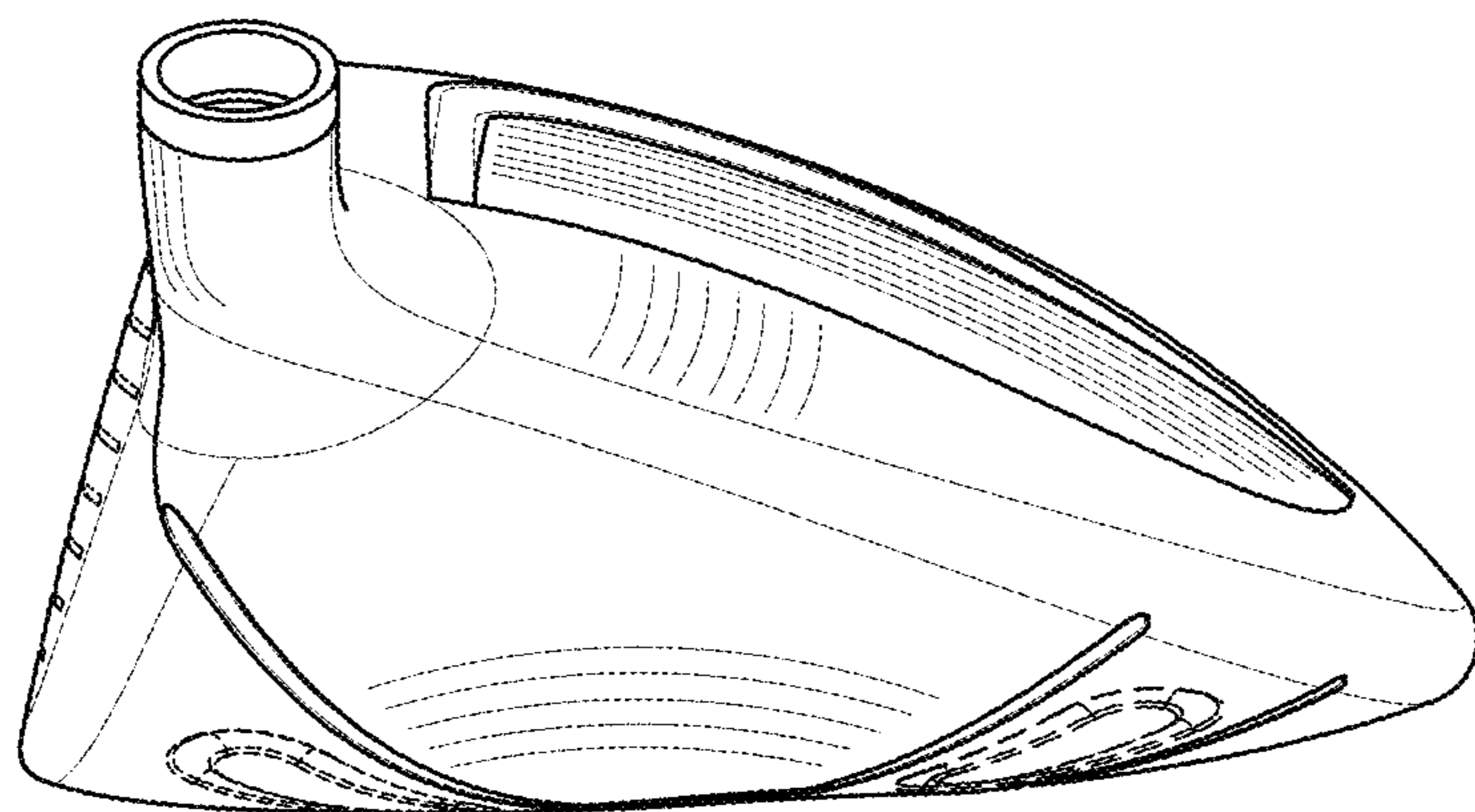


FIG. 8

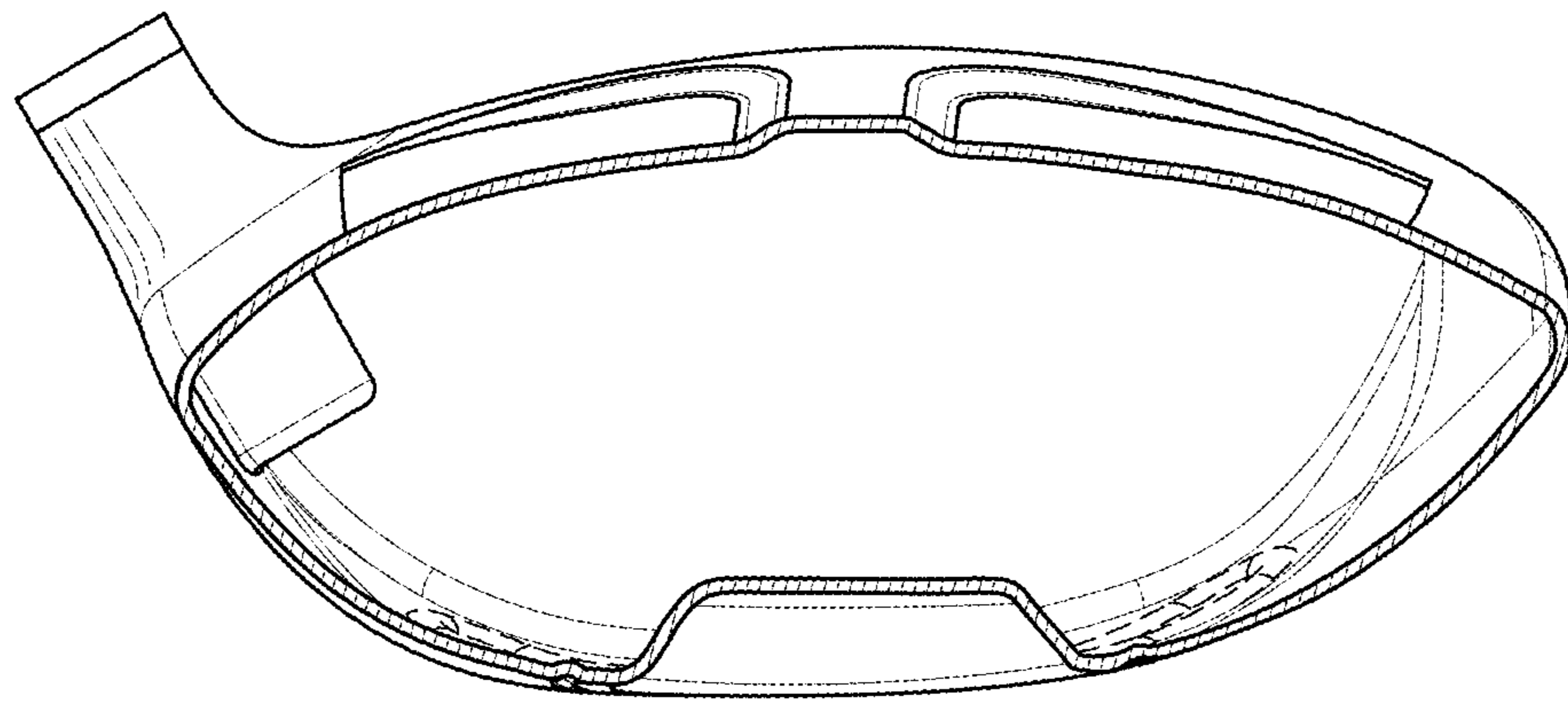


FIG. 9