



US00D844083S

(12) **United States Design Patent**  
**Schwarz**

(10) **Patent No.:** **US D844,083 S**  
(45) **Date of Patent:** **\*\* Mar. 26, 2019**

- (54) **THREE-TEAM GAME GOAL**
- (71) Applicant: **Jeremiah Schwarz**, Weston, CT (US)
- (72) Inventor: **Jeremiah Schwarz**, Weston, CT (US)
- (\*\*) Term: **15 Years**
- (21) Appl. No.: **29/595,326**
- (22) Filed: **Feb. 27, 2017**
- (51) **LOC (11) Cl.** ..... **21-02**
- (52) **U.S. Cl.**  
USPC ..... **D21/705**; D21/699
- (58) **Field of Classification Search**  
USPC ..... 273/343, 348, 392, 394, 395, 396, 397,  
273/398, 400, 401, 402, 406, 407;  
473/172, 197, 415, 421, 456, 478;  
D21/302, 303, 304, 305, 306, 698, 699,  
D21/700, 701, 702, 703, 704, 705, 780,  
D21/788, 789, 790, 834, 835, 836, 837,  
D21/838, 839; D22/135  
CPC ..... A63B 63/00; A63B 71/022; A63F 9/0204;  
F41J 1/10  
See application file for complete search history.

- 4,955,607 A \* 9/1990 Maye ..... A63B 63/00  
473/456
- D317,033 S \* 5/1991 Rains ..... D21/705
- 5,118,103 A \* 6/1992 Miller ..... A63B 71/022  
473/197
- 5,351,948 A \* 10/1994 Thomas ..... A63B 63/00  
273/400
- 5,431,411 A \* 7/1995 Padilla ..... A63B 63/004  
473/416
- 5,433,433 A \* 7/1995 Armell ..... A63B 63/004  
273/400
- 5,516,115 A \* 5/1996 McLain ..... A63B 63/00  
273/400
- 5,549,304 A \* 8/1996 Davis ..... A63B 63/004  
273/396
- 5,569,094 A \* 10/1996 Macaluso ..... A63B 63/00  
273/400

(Continued)

**OTHER PUBLICATIONS**

<http://www.collegecures.com/2011/new-game-tri-federation/>.  
(Continued)

*Primary Examiner* — Cynthia Ramirez  
*Assistant Examiner* — Michael A Maharajh  
(74) *Attorney, Agent, or Firm* — Wiggin and Dana LLP;  
Abraham Kasdan; Jonathan D. Hall

(56) **References Cited**  
U.S. PATENT DOCUMENTS

- 2,895,737 A \* 7/1959 Blee ..... A63B 63/00  
473/197
- D257,467 S \* 10/1980 Long ..... D21/705
- 4,295,648 A \* 10/1981 Stromback ..... A63B 63/00  
273/402
- 4,553,751 A \* 11/1985 Ketchum ..... A63B 69/0097  
273/395
- 4,643,433 A \* 2/1987 Wehby ..... A63F 9/0204  
273/348
- 4,883,272 A \* 11/1989 Lay ..... A63B 63/00  
473/197
- 4,949,979 A \* 8/1990 Wheatcroft ..... A63B 63/00  
273/392

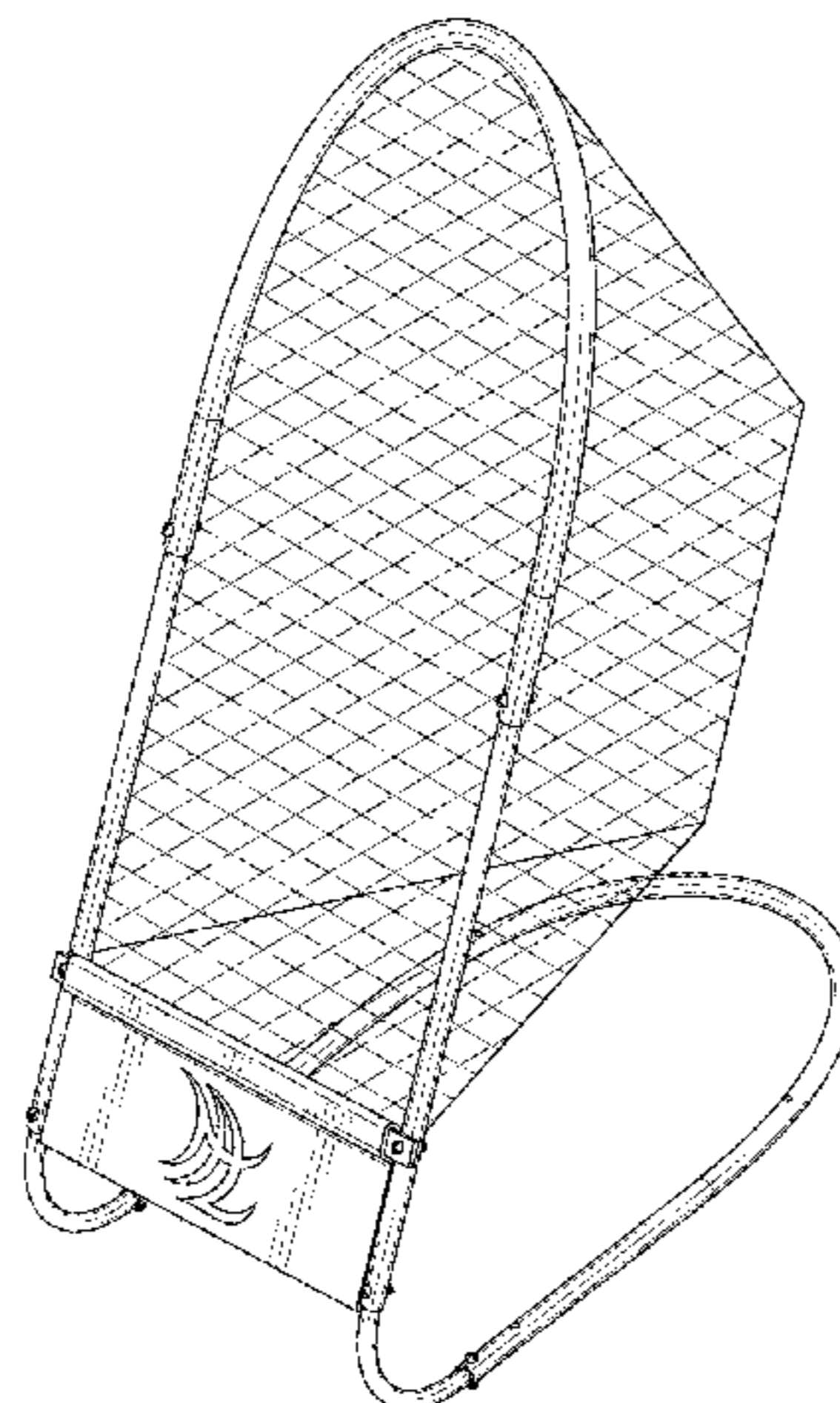
(57) **CLAIM**

The ornamental design for a three-team game goal, as shown and described.

**DESCRIPTION**

FIG. 1 is a front perspective view of the three-team game goal showing my new design;  
FIG. 2 is a front plan view thereof;  
FIG. 3 is a top plan view thereof;  
FIG. 4 is a side view thereof; and,  
FIG. 5 is a back plan view thereof.

**1 Claim, 5 Drawing Sheets**



(56)

References Cited

U.S. PATENT DOCUMENTS

5,651,551 A \* 7/1997 Ferrara ..... A63B 63/004  
273/400  
5,655,774 A \* 8/1997 Cox ..... A63B 63/004  
273/400  
D390,292 S \* 2/1998 Hoag ..... D21/705  
5,772,537 A \* 6/1998 Anderson ..... A63B 69/0097  
273/396  
5,989,130 A \* 11/1999 Macaluso ..... A63B 71/022  
273/400  
6,165,085 A \* 12/2000 Lubin ..... A63B 63/004  
273/400  
6,168,540 B1 \* 1/2001 McKenna ..... A63B 69/0084  
473/421  
D478,938 S \* 8/2003 Vande Hey ..... D21/302  
D478,939 S \* 8/2003 McReynolds ..... D21/302  
6,779,797 B1 \* 8/2004 Chou ..... F41J 7/04  
273/391  
6,929,569 B1 \* 8/2005 Wang ..... A63B 24/0021  
473/433  
7,011,310 B2 \* 3/2006 Rowan ..... A63B 63/00  
273/398  
7,115,053 B2 \* 10/2006 Meichner ..... A63B 63/00  
473/478  
7,198,273 B1 \* 4/2007 Advocate ..... A63B 43/007  
273/348  
7,264,245 B2 \* 9/2007 Cho ..... A63B 69/0097  
273/396  
7,377,516 B2 \* 5/2008 Vallee ..... A63B 67/06  
273/343  
D570,417 S \* 6/2008 Poe ..... D21/302  
7,429,223 B2 \* 9/2008 Dovrat ..... A63B 63/00  
473/459  
7,543,821 B2 \* 6/2009 Winningham ..... A63B 63/004  
273/396  
7,651,098 B2 \* 1/2010 Cho ..... A63B 63/004  
273/396

7,677,575 B2 \* 3/2010 Eisenbarth ..... A63B 63/00  
273/343  
7,744,089 B2 \* 6/2010 Huang ..... A63B 71/022  
273/400  
D623,246 S \* 9/2010 Nozato ..... D21/705  
D626,181 S \* 10/2010 Lima ..... D21/302  
D627,002 S \* 11/2010 Cho ..... D21/305  
8,308,166 B2 \* 11/2012 Cho ..... A63B 63/00  
273/401  
8,322,725 B2 \* 12/2012 Cho ..... A63B 71/022  
273/400  
D674,450 S \* 1/2013 Cerbo ..... D21/699  
D702,300 S \* 4/2014 Crawley ..... D21/699  
8,734,275 B2 \* 5/2014 Orenstein ..... A63B 63/004  
273/400  
D717,382 S \* 11/2014 Lore ..... D21/705  
8,875,772 B1 \* 11/2014 Dixon, Jr. ..... A63B 71/022  
473/421  
D738,431 S \* 9/2015 Fiske ..... D21/302  
D742,466 S \* 11/2015 Jaguan ..... D21/699  
D747,774 S \* 1/2016 Erickson ..... D21/302  
9,415,318 B1 \* 8/2016 Harris ..... F41J 5/24  
9,421,443 B2 \* 8/2016 Boyer ..... A63B 63/00  
D777,852 S \* 1/2017 Crawley ..... D21/699  
D789,466 S \* 6/2017 Cho ..... D21/699  
D805,591 S \* 12/2017 Miller ..... D21/705

OTHER PUBLICATIONS

<http://www.sportsgrid.com/uncategorized/tri-a-little-sport-with-a-massive-ball/>.  
<http://thebiglead.com/2013/01/02/tri-is-a-silly-sport-that-combines-rugby-and-a-ball-shaped-like-a-banana/>.  
<http://www.annarbor.com/sports/ann-arbors-thomas-cieslak-looks-to-introduce-a-new-sport-tri-federation-to-the-masses/>.  
<http://www.thewestonforum.com/7683/tri-creator-hopes-to-bring-new-sport-to-weston/>.  
<http://internationalstorytelling.org/china/tri-and-its-squib-ball/>.

\* cited by examiner



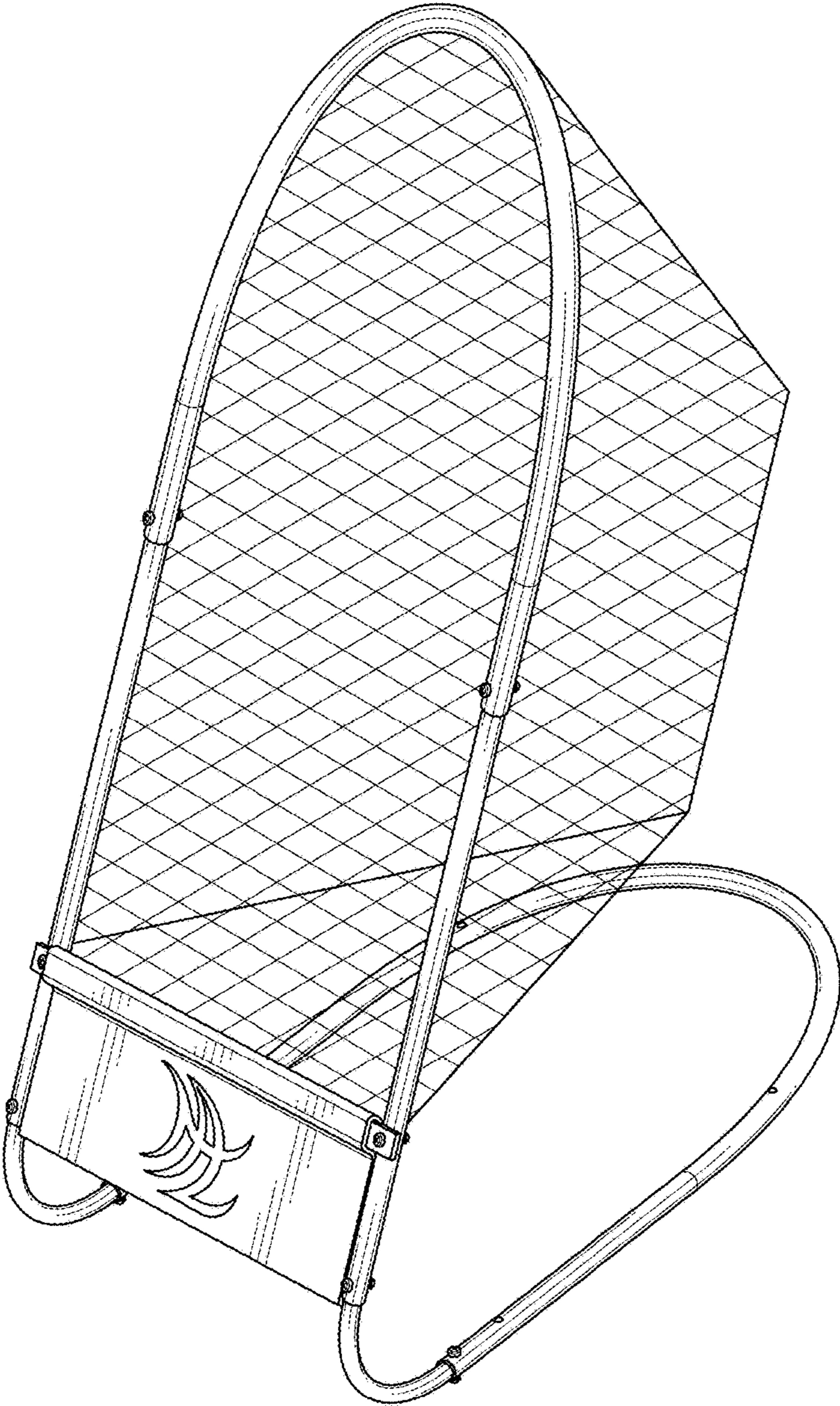


FIG. 1

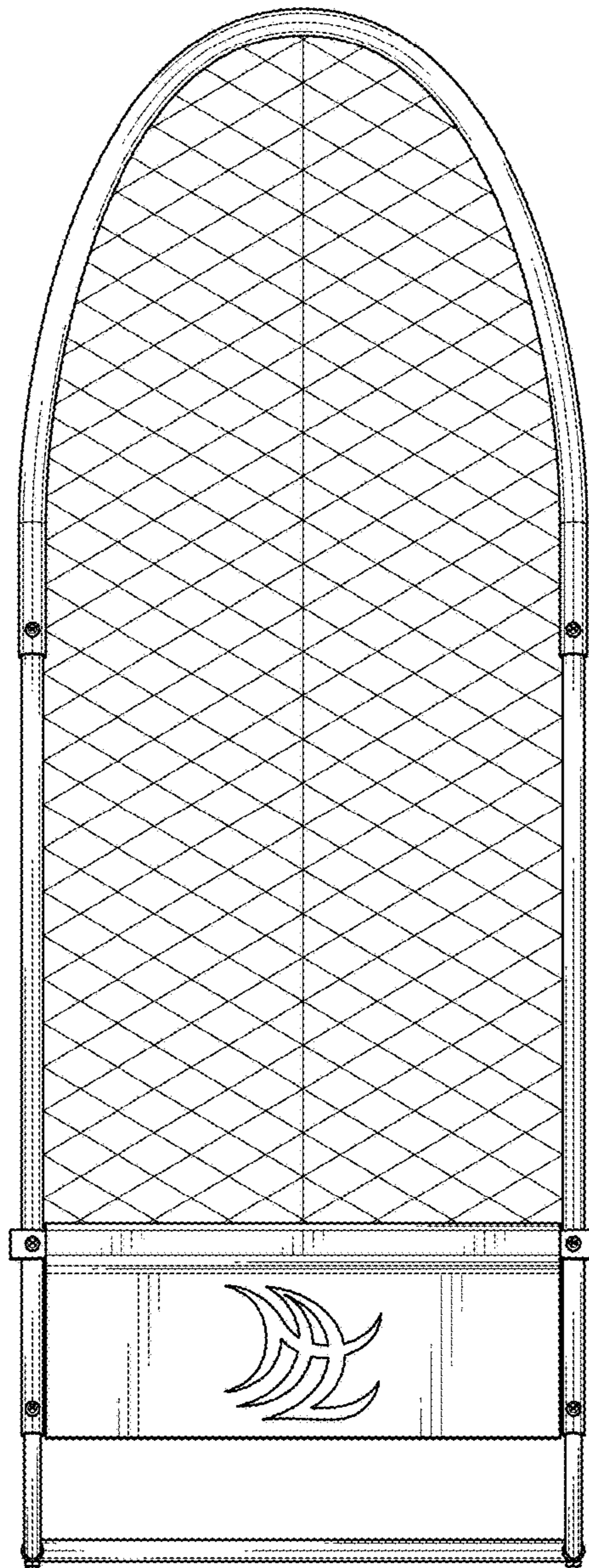


FIG. 2

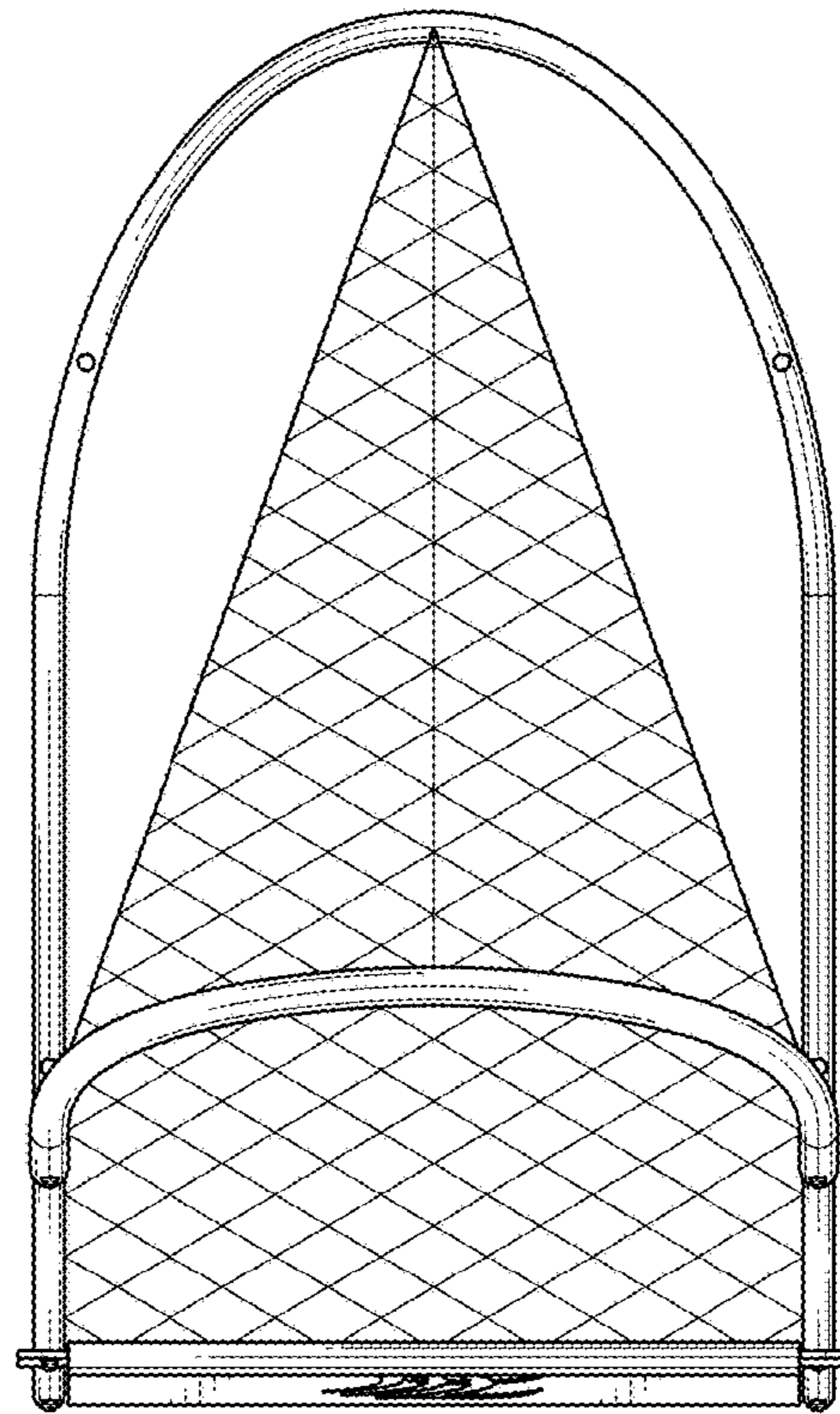


FIG. 3



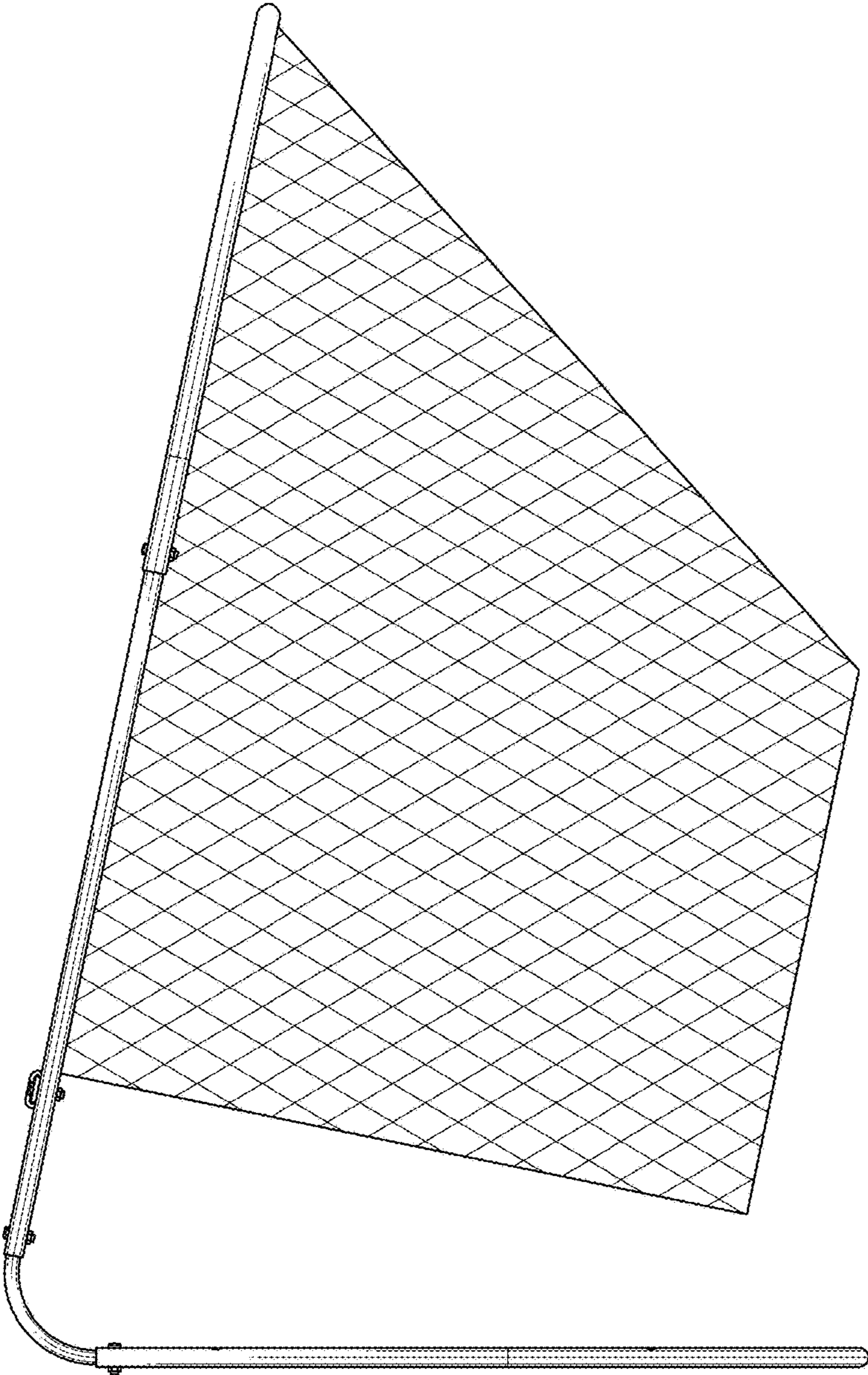


FIG. 4

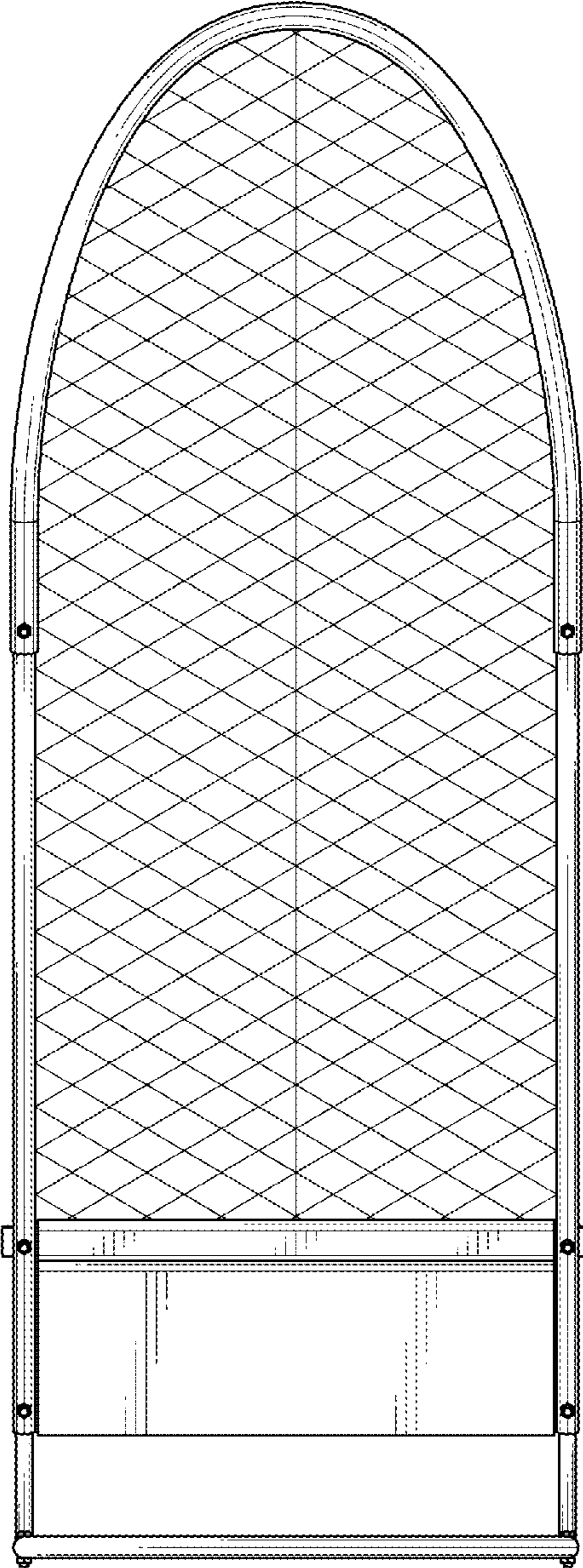


FIG. 5