



US00D844080S

(12) **United States Design Patent**
Young

(10) **Patent No.:** **US D844,080 S**
(45) **Date of Patent:** **** Mar. 26, 2019**

(54) **EXERCISE DEVICE**
(71) Applicant: **DR. FIT365, LLC**, Gahanna, OH (US)
(72) Inventor: **Tremaine Young**, Gahanna, OH (US)
(73) Assignee: **DR. FIT365, LLC**, Gahanna, OH (US)
(**) Term: **15 Years**

4,733,862 A 3/1988 Miller
4,779,867 A * 10/1988 Hinds A63B 21/0552
482/122
4,852,874 A 8/1989 Sleichter et al.
4,909,505 A 3/1990 Tee
D315,934 S * 4/1991 Wilson 482/129
(Continued)

(21) Appl. No.: **29/639,924**
(22) Filed: **Mar. 9, 2018**

(51) **LOC (11) Cl.** **21-02**
(52) **U.S. Cl.**
USPC **D21/692**

(58) **Field of Classification Search**
USPC D21/671, 787, 798, 826, 694, 692, 691,
D21/690, 688, 687, 686, 684, 679, 673,
D21/662; 482/91, 8, 44, 24, 140, 139,
482/131, 130, 129, 128, 127, 126, 125,
482/124, 123, 122, 121, 115, 112, 103,
482/87, 90, 83, 138; 473/428, 426, 483;
368/10; 135/140
CPC A63B 21/0552; A63B 21/4035; A63B
21/0557; A63B 21/0442; A63B 21/00069;
A63B 21/4043; A63B 2208/0233; A63B
21/04; A63B 21/1609; A63B 21/154;
A63B 21/00043; A63B 2023/006; A63B
21/00185; A63B 21/1663
See application file for complete search history.

(56) **References Cited**

U.S. PATENT DOCUMENTS

4,023,808 A * 5/1977 Hebert A63B 21/0004
482/126
4,257,592 A * 3/1981 Jones A63B 21/154
24/115 K
D274,539 S * 7/1984 Bankier D21/679
4,477,073 A 10/1984 Koch et al.
D280,224 S * 8/1985 Wilson 482/129

OTHER PUBLICATIONS

TFT by TFT dated no date given. Found online [Oct. 29, 2018]
https://www.tftfit.com/shop.*

Primary Examiner — Ryan Harvey
(74) *Attorney, Agent, or Firm* — Sand, Sebolt & Wernow
Co., LPA

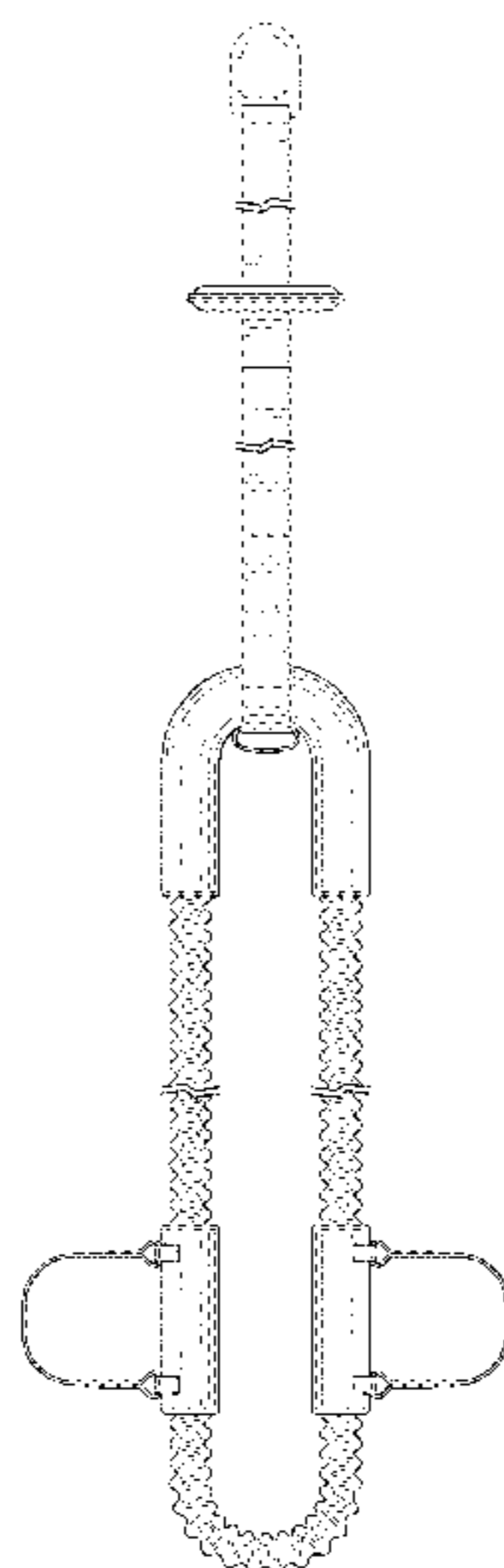
(57) **CLAIM**

The ornamental design for an exercise device, as shown and described.

DESCRIPTION

FIG. 1 is a top plan view of an exercise device in accordance with my design shown in a relaxed position;
FIG. 2 is a bottom plan view thereof;
FIG. 3 is a right side elevation view thereof;
FIG. 4 is a left side elevation view thereof;
FIG. 5 is a front elevation view thereof;
FIG. 6 is a rear elevation view thereof;
FIG. 7 is a cross-section taken along line 7-7 of FIG. 3;
FIG. 8 is a cross-section taken along line 8-8 of FIG. 3; and,
FIG. 9 is a right side elevation view of the exercise device of FIG. 1 shown in a stretched position.
The broken lines illustrate portions of the exercise device which form no part of the claimed design.
The dot-dot-dash lines show the cross-sections of FIG. 3 and form no part of the claimed design.
The claimed design is shown with a symbolic break in its length. The appearance of any portion of the article between the break lines forms no part of the claimed design.

1 Claim, 5 Drawing Sheets



(56)

References Cited

U.S. PATENT DOCUMENTS

D315,935 S *	4/1991	Wilson	482/129	2010/0113235 A1*	5/2010	Calvagne	A63B 7/02 482/143
D315,936 S *	4/1991	Wilson	482/129	2010/0173760 A1	7/2010	Hall	
D332,980 S *	2/1993	Wilson	D21/694	2010/0292056 A1	11/2010	Birch	
5,209,712 A *	5/1993	Ferri	A61H 1/02 482/131	2011/0172067 A1	7/2011	Glauser et al.	
5,556,369 A	9/1996	Roberts		2011/0306477 A1	12/2011	Keen et al.	
5,730,687 A	3/1998	Ledany		2012/0108403 A1	5/2012	Schuhmann	
5,813,954 A	9/1998	Wilkinson		2012/0220436 A1	8/2012	Zoltak	
6,036,625 A	3/2000	Woodruff		2012/0245002 A1	9/2012	Todd	
6,322,483 B1	11/2001	Rotella		2012/0329618 A1	12/2012	White et al.	
6,450,929 B1	9/2002	Markham		2012/0329620 A1	12/2012	White et al.	
6,450,930 B1 *	9/2002	Kroke	A61H 1/0255 482/121	2013/0005544 A1	1/2013	Butler et al.	
D469,485 S *	1/2003	Chrystal	D21/662	2013/0040791 A1	2/2013	Bornstein	
7,806,814 B2 *	10/2010	Hetrick	A63B 21/0023 482/139	2013/0053226 A1	2/2013	Jiang	
D636,036 S *	4/2011	Rios	D21/662	2013/0059702 A1	3/2013	Page et al.	
8,012,071 B2	9/2011	Gideon		2013/0157821 A1	6/2013	Crowell et al.	
D654,124 S *	2/2012	Davis	D21/662	2013/0165301 A1	6/2013	Thrasher-Rudd et al.	
8,142,337 B2	3/2012	Hall		2013/0190148 A1	7/2013	Allison et al.	
D666,256 S *	8/2012	Wine	D21/662	2013/0196831 A1	8/2013	Kinsbourne et al.	
D678,434 S *	3/2013	Hughes	D21/662	2013/0203567 A1	8/2013	Thomas	
8,678,983 B1 *	3/2014	Brown	A63B 21/4033 482/131	2013/0331242 A1	12/2013	Wilson	
8,979,716 B1	3/2015	Rawlins		2014/0024508 A1	1/2014	Hinds et al.	
D742,461 S *	11/2015	Baldwin	D21/662	2014/0038793 A1	2/2014	Hetzel	
9,259,605 B1	2/2016	Puig et al.		2014/0121077 A1	5/2014	Hsieh	
D750,716 S *	3/2016	Pouliot	D21/692	2014/0155233 A1	6/2014	Latronica	
9,586,074 B2 *	3/2017	Autogue	A63B 23/0355	2014/0235413 A1	8/2014	Pfizer	
9,597,541 B2 *	3/2017	Hinds	A63B 7/00	2014/0256514 A1	9/2014	Garner et al.	
9,675,835 B1 *	6/2017	Abramovich	A63B 21/0555	2014/0274569 A1	9/2014	Lewen	
D798,972 S *	10/2017	Wallace	D21/692	2014/0274601 A1	9/2014	Crowell et al.	
D806,811 S *	1/2018	Best	D21/692	2014/0315666 A1	10/2014	Medley et al.	
D816,785 S *	5/2018	Smith, Jr.	D21/694	2014/0329648 A1	11/2014	Jacobo	
2003/0130099 A1	7/2003	Chen		2014/0342883 A1	11/2014	Joost et al.	
2003/0158024 A1	8/2003	Saure		2014/0357458 A1	12/2014	Callanan	
2005/0079963 A1	4/2005	Lin		2015/0005141 A1	1/2015	Krahling et al.	
2008/0139369 A1	6/2008	Vigilia		2015/0141217 A1*	5/2015	Young	A63B 21/0442 482/126
2009/0286661 A1	11/2009	Campbell		2015/0283420 A1*	10/2015	Chang	A63B 21/0555 482/129
				2015/0335937 A1	11/2015	Park	
				2017/0361150 A1*	12/2017	Polinsky	A63B 21/4035
				2018/0178050 A1*	6/2018	Prihar	A63B 21/0552
				2018/0250544 A1*	9/2018	Hur	A63B 21/0407

* cited by examiner

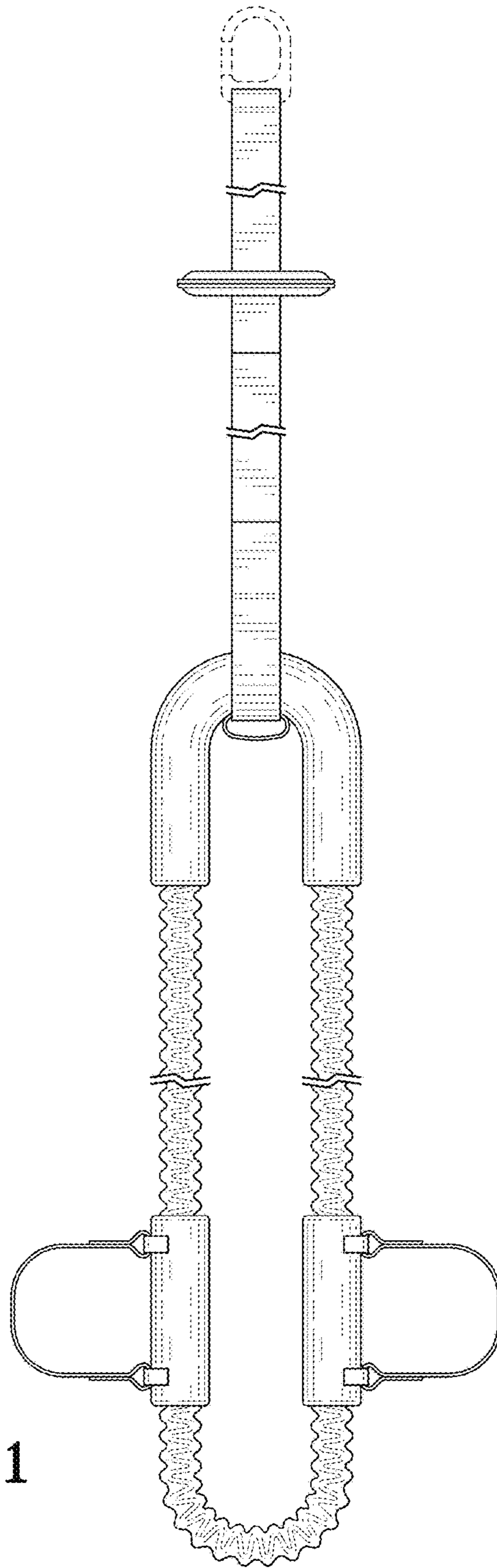


FIG. 1

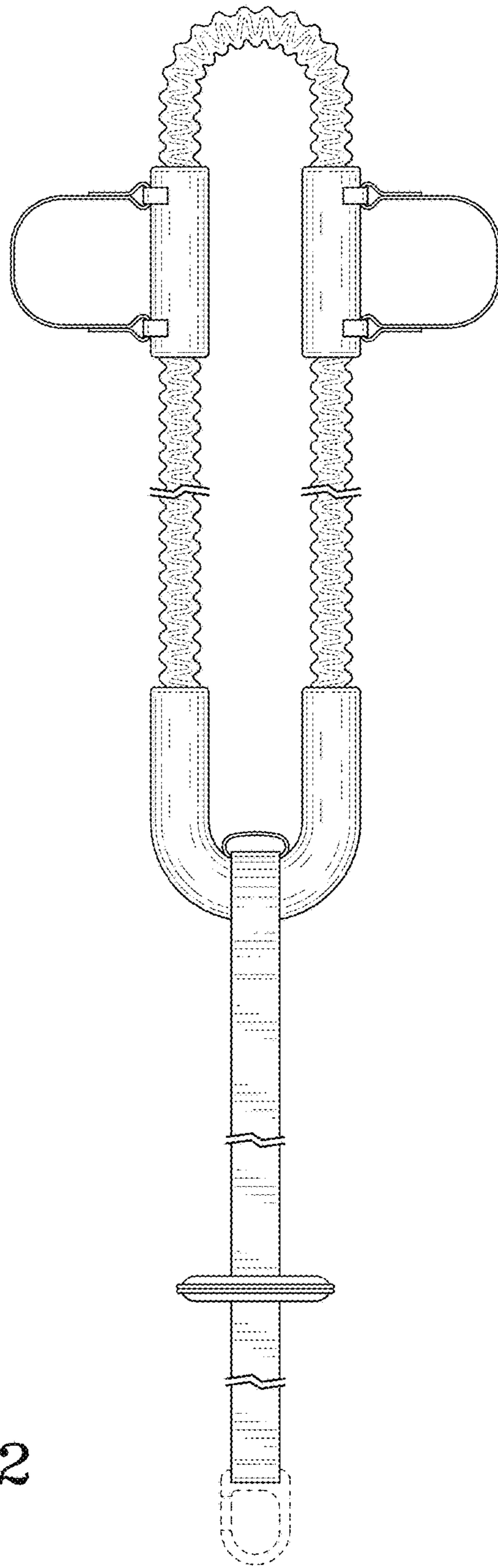
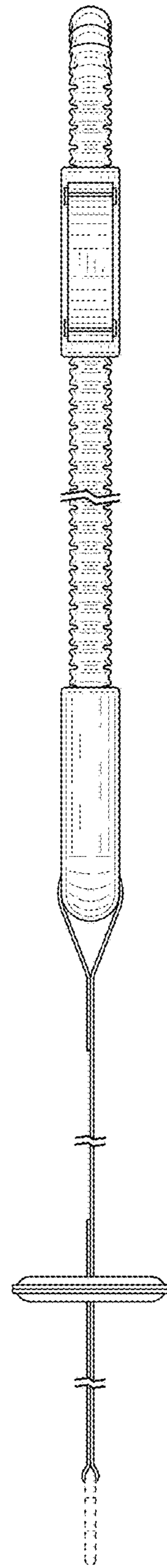
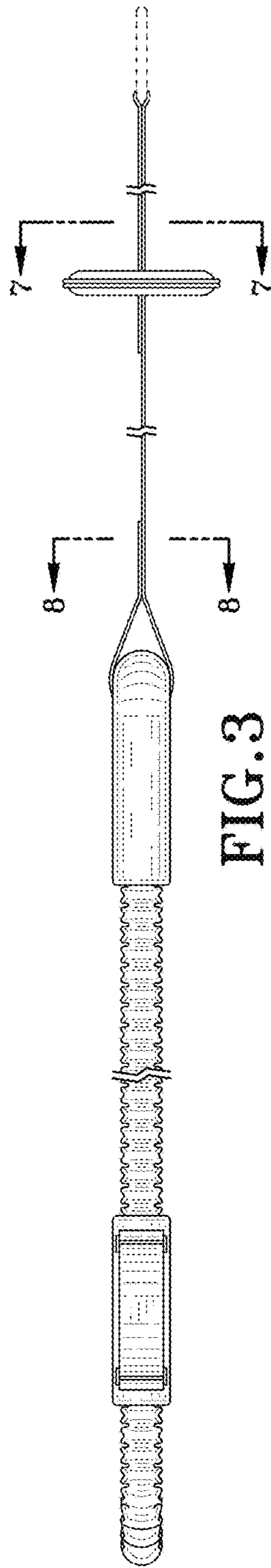


FIG.2



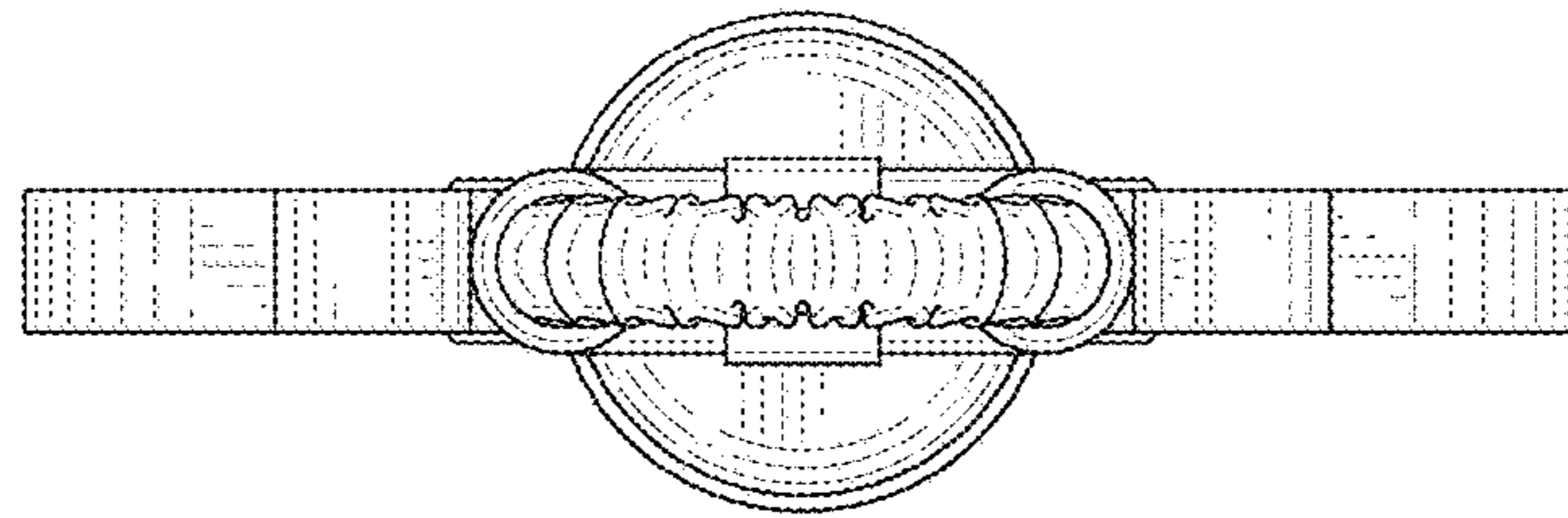


FIG. 5

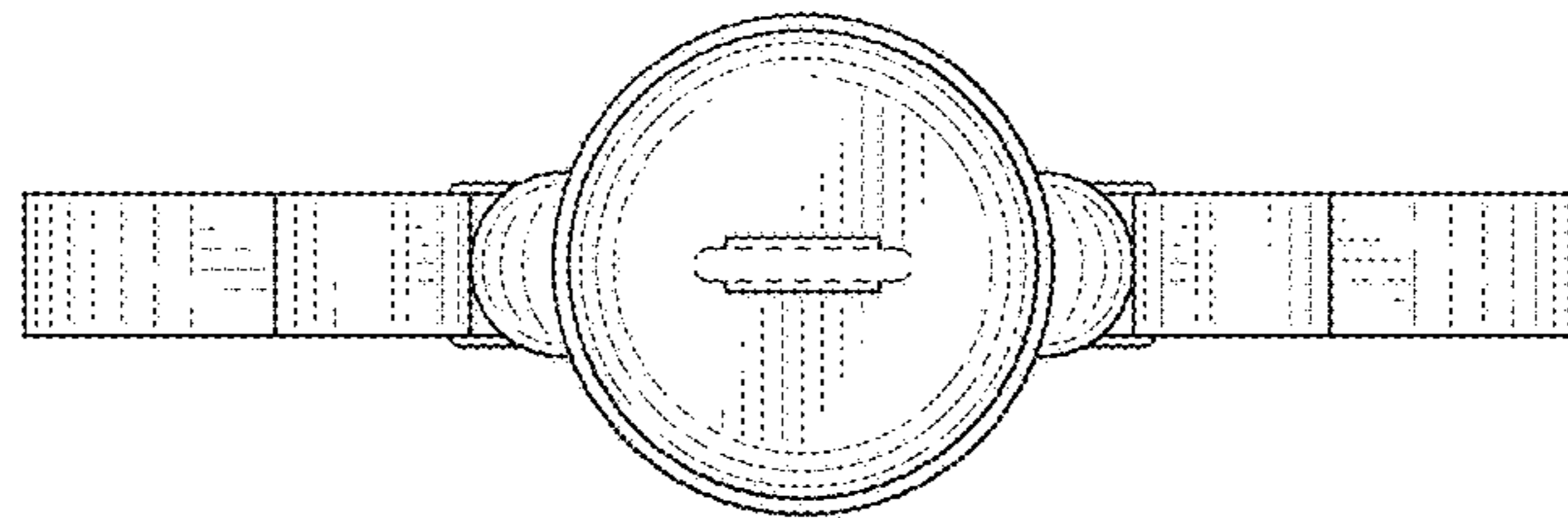


FIG. 6

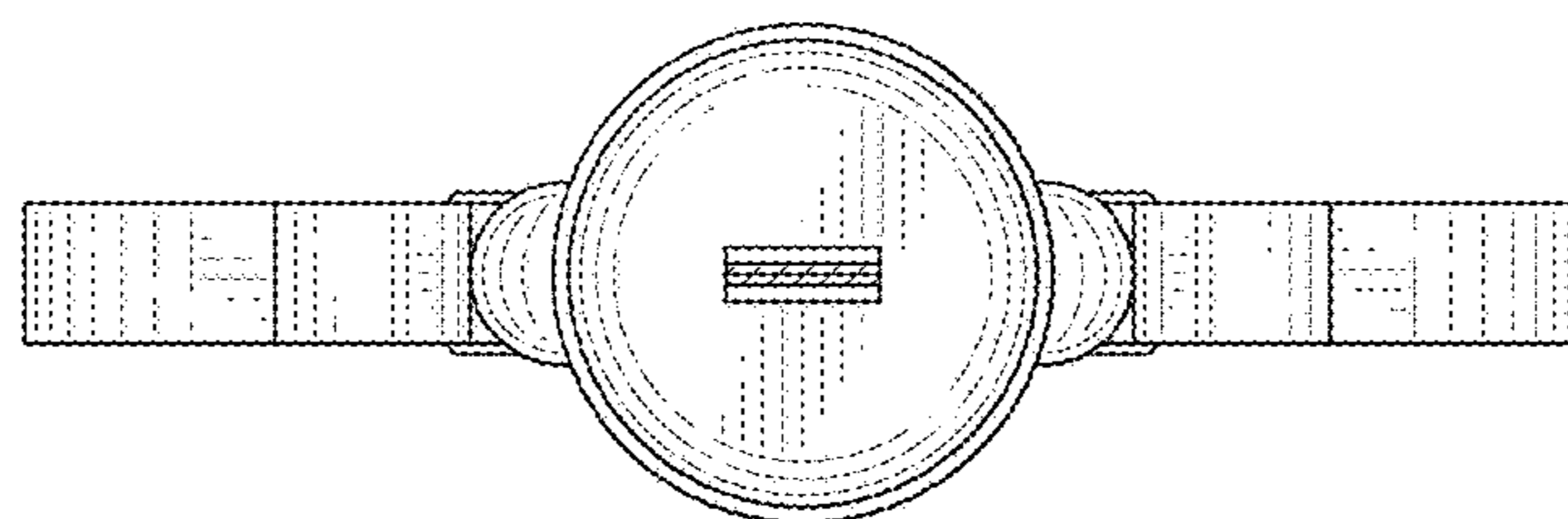


FIG. 7

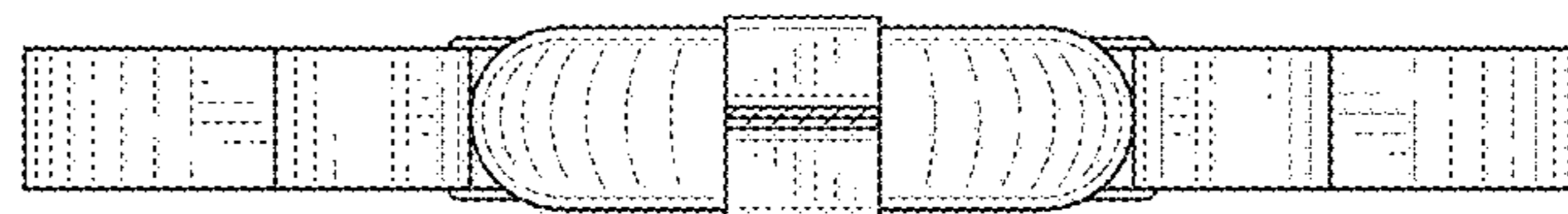


FIG. 8

