



US00D844077S

(12) **United States Design Patent** (10) **Patent No.:** **US D844,077 S**
Arceta (45) **Date of Patent:** **** Mar. 26, 2019**

- (54) **EXERCISE DUMBBELL**
- (71) Applicant: **Brunswick Corporation**, Mettawa, IL (US)
- (72) Inventor: **Radmond V. Arceta**, Libertyville, IL (US)
- (73) Assignee: **Brunswick Corporation**, Mettawa, IL (US)

D546,908 S	7/2007	Lien	
7,300,389 B2	11/2007	Lien et al.	
D562,919 S	2/2008	Hillson	
D597,612 S *	8/2009	Lien	D21/681
7,704,196 B2	4/2010	Lien et al.	
D620,148 S *	7/2010	Rhee	D25/138
D620,149 S *	7/2010	Rhee	D25/138
D621,074 S *	8/2010	Rhee	D25/138
D624,614 S *	9/2010	Lien	D21/681
D628,251 S	11/2010	Krull et al.	
D673,230 S	12/2012	Qin	
D692,969 S *	11/2013	Davies, III	D21/680

(Continued)

(**) Term: **15 Years**

- (21) Appl. No.: **29/628,291**
- (22) Filed: **Dec. 4, 2017**
- (51) **LOC (11) Cl.** **21-02**
- (52) **U.S. Cl.**
USPC **D21/680**
- (58) **Field of Classification Search**
USPC 52/311.2, 390, 596, 604, 609; 404/34, 404/35, 36, 37, 38, 39, 40, 41, 42; 482/93, 106, 108; D12/175, 202, 204, D12/207, 604; D21/662, 680, 681, 682, D21/684; D25/113, 114, 115, 116, 117, D25/118, 138, 151
CPC A63B 21/072; A63B 21/0608; A63B 21/0728; A63B 21/075; A63B 21/06
See application file for complete search history.

FOREIGN PATENT DOCUMENTS

CN	102814023	12/2012
GB	2492079	12/2012

(Continued)

Primary Examiner — Cynthia Ramirez
Assistant Examiner — Michael A Maharajh
 (74) *Attorney, Agent, or Firm* — Andrus Intellectual Property Law, LLP

(57) **CLAIM**

The ornamental design for an exercise dumbbell, as shown and described.

DESCRIPTION

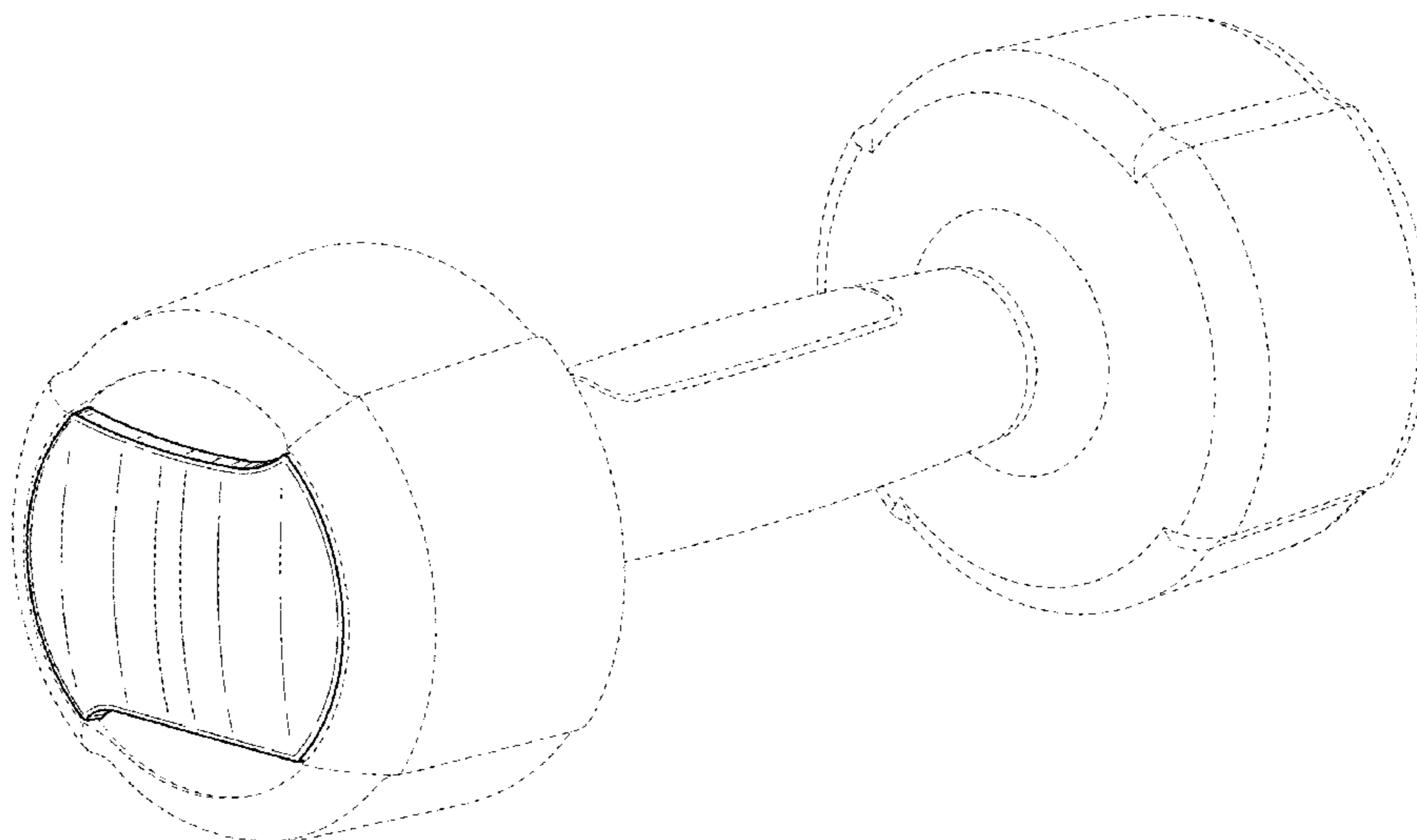
FIG. 1 is a front perspective view of an exercise dumbbell, showing my new design.
 FIG. 2 is a left side view thereof.
 FIG. 3 is a right side view thereof.
 FIG. 4 is a front view thereof.
 FIG. 5 is a rear view thereof.
 FIG. 6 is a top view thereof; and,
 FIG. 7 is a bottom view thereof.
 The broken lines represent portions of the exercise dumbbell that are shown for illustrative purposes only and form no part of the claimed design.

1 Claim, 6 Drawing Sheets

(56) **References Cited**

U.S. PATENT DOCUMENTS

D414,275 S *	9/1999	Azar	D25/113
D426,001 S *	5/2000	Azar	D25/113
6,319,176 B1	11/2001	Landfair	
D474,517 S	5/2003	Harms	
D483,083 S	12/2003	Allshouse et al.	
6,702,723 B2	3/2004	Landfair	
6,746,380 B2	6/2004	Lien et al.	
D545,927 S *	7/2007	Lien	D21/681
D546,478 S *	7/2007	Adam	D25/113



(56)

References Cited

U.S. PATENT DOCUMENTS

8,591,387 B2 *	11/2013	Fife	A63B 21/072
				482/106
D749,177 S	2/2016	Childs		
D751,157 S	3/2016	Irwin		
2010/0210427 A1	8/2010	Yu		
2010/0255960 A1	10/2010	Kessler		
2011/0306475 A1	12/2011	Caswell et al.		
2013/0012367 A1	1/2013	Williams		
2013/0157814 A1	6/2013	Nowicki		
2015/0038303 A1	2/2015	Adkins		

FOREIGN PATENT DOCUMENTS

GB	2525012	10/2015
WO	2013/181757	12/2013
WO	2014/008568	1/2014
WO	2017/024611	2/2017

* cited by examiner

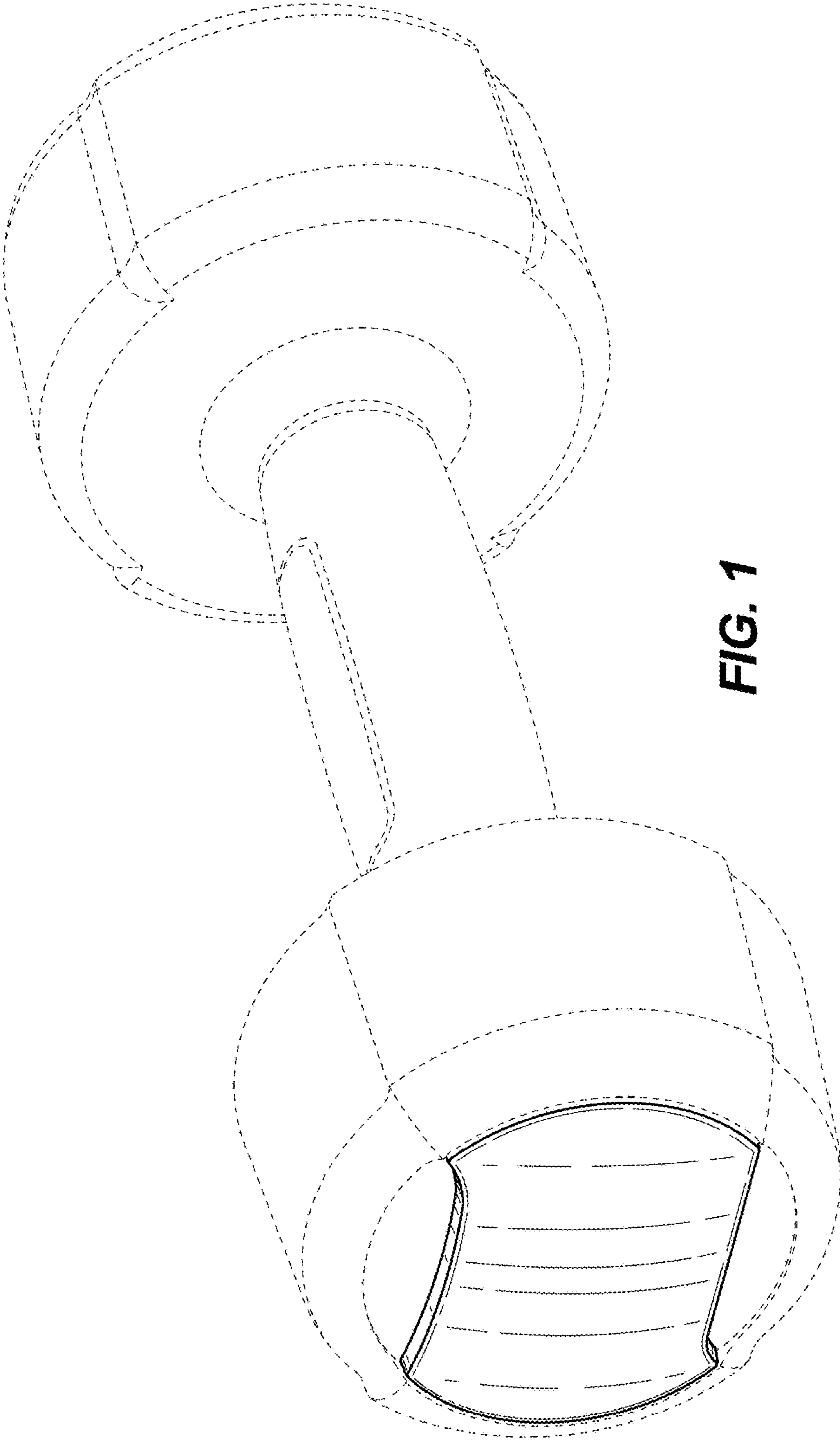


FIG. 1

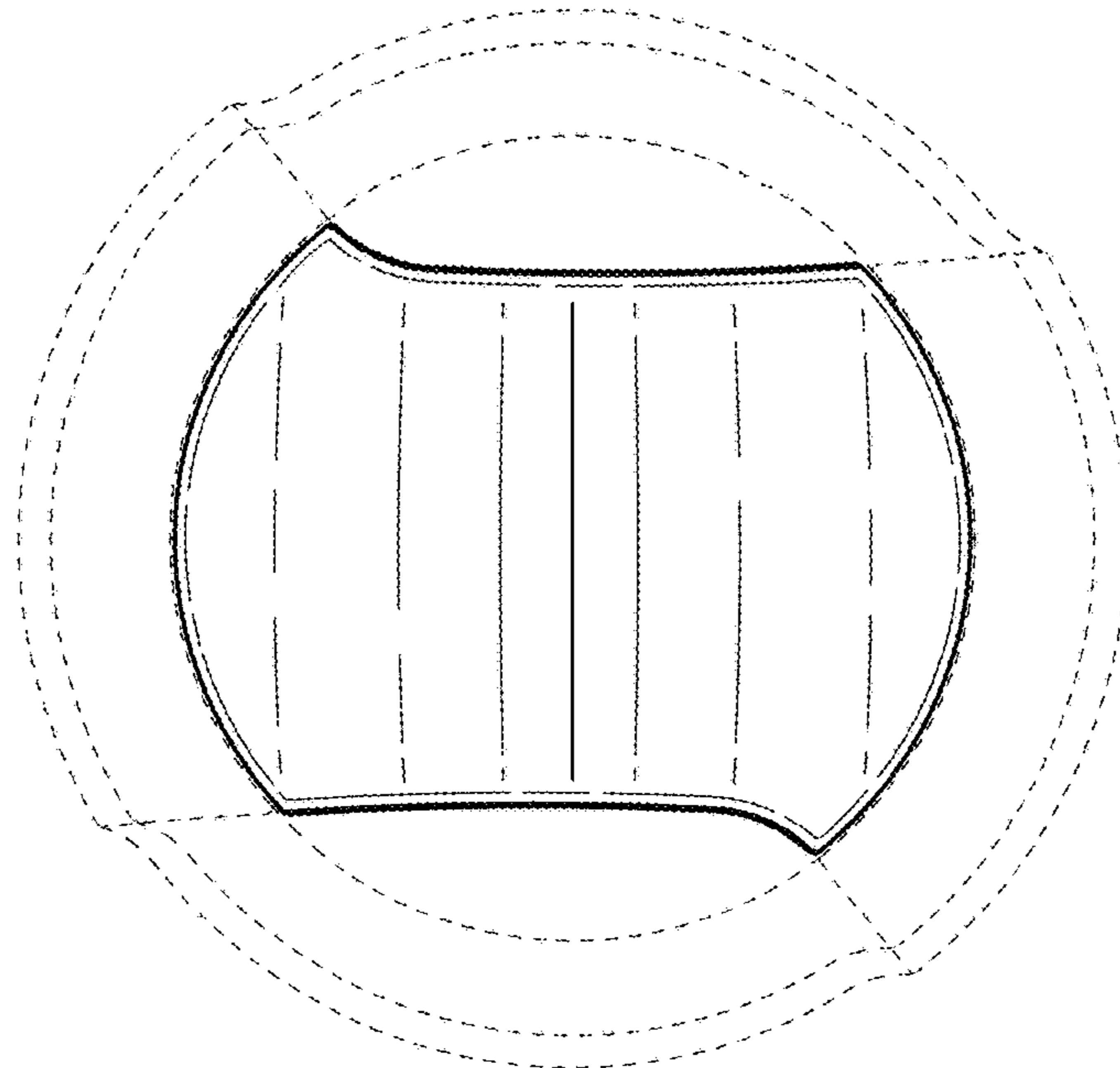


FIG. 2

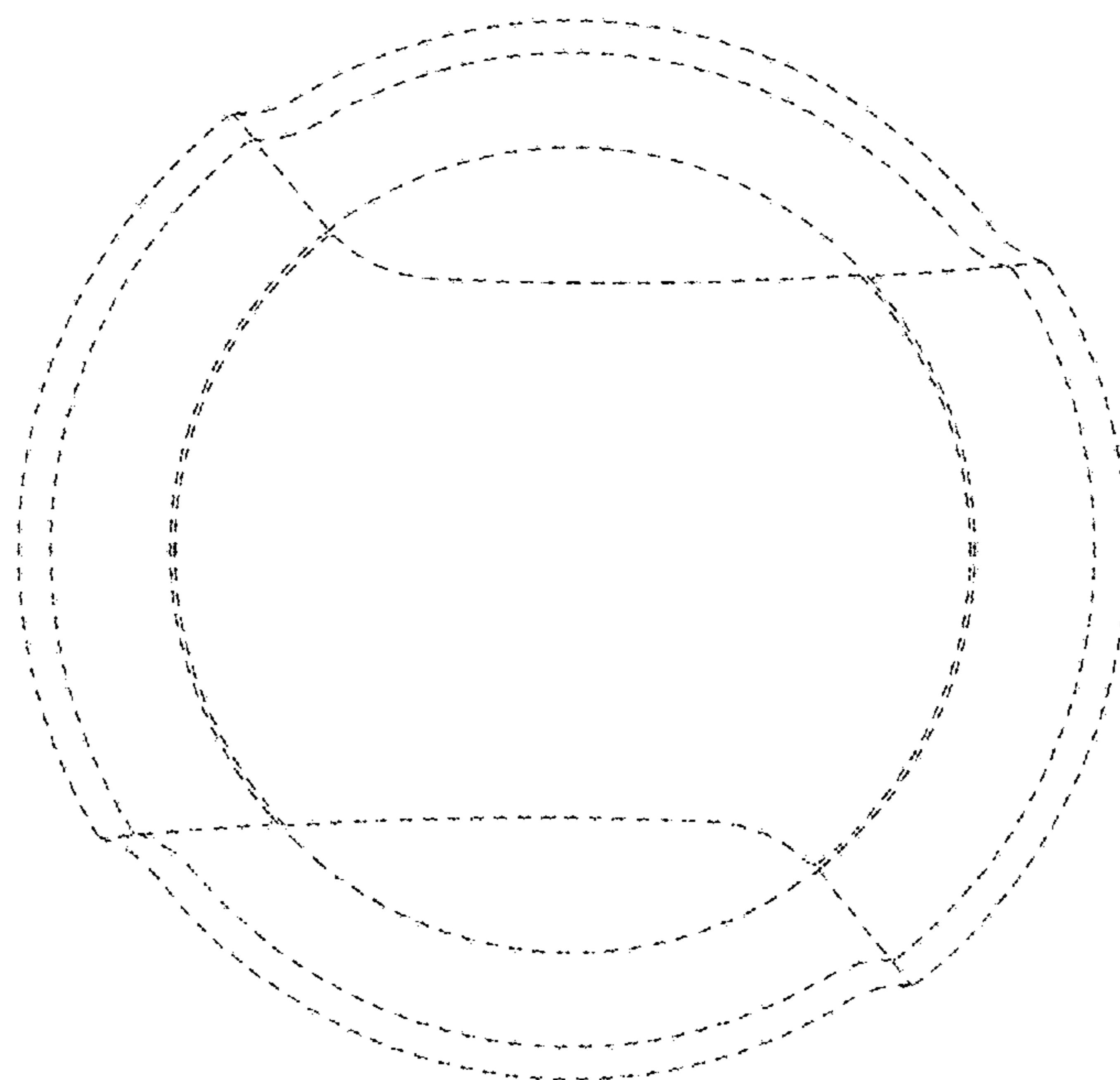


FIG. 3

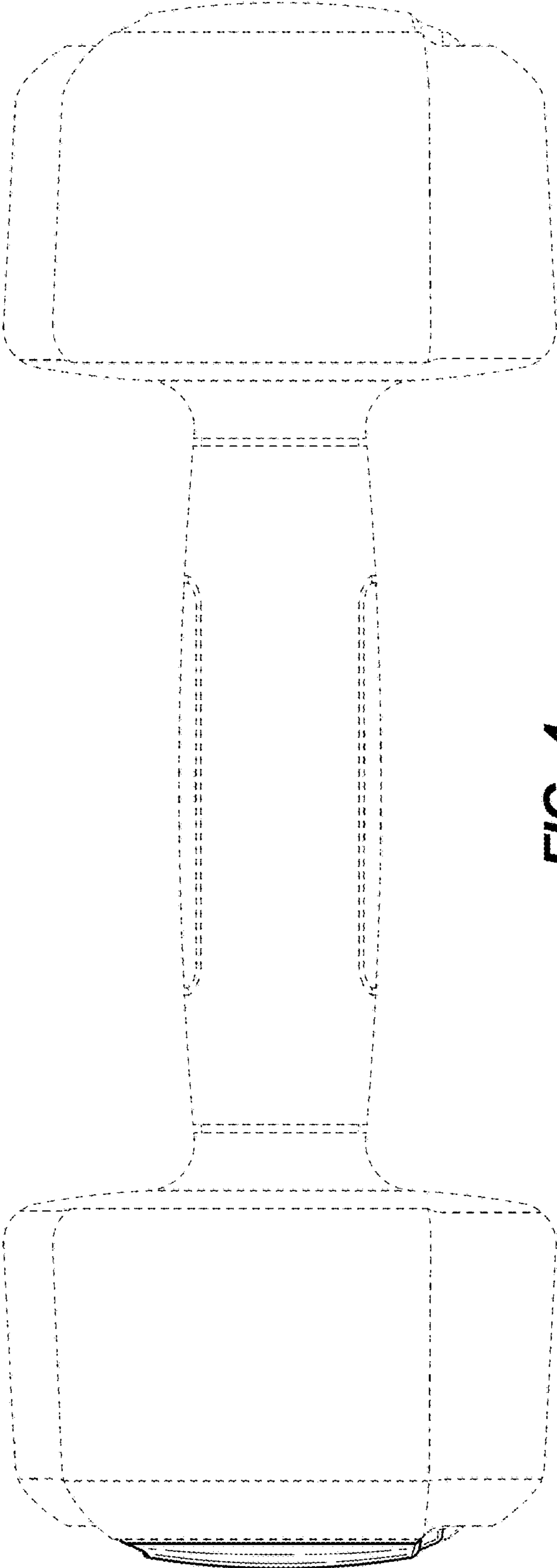


FIG. 4

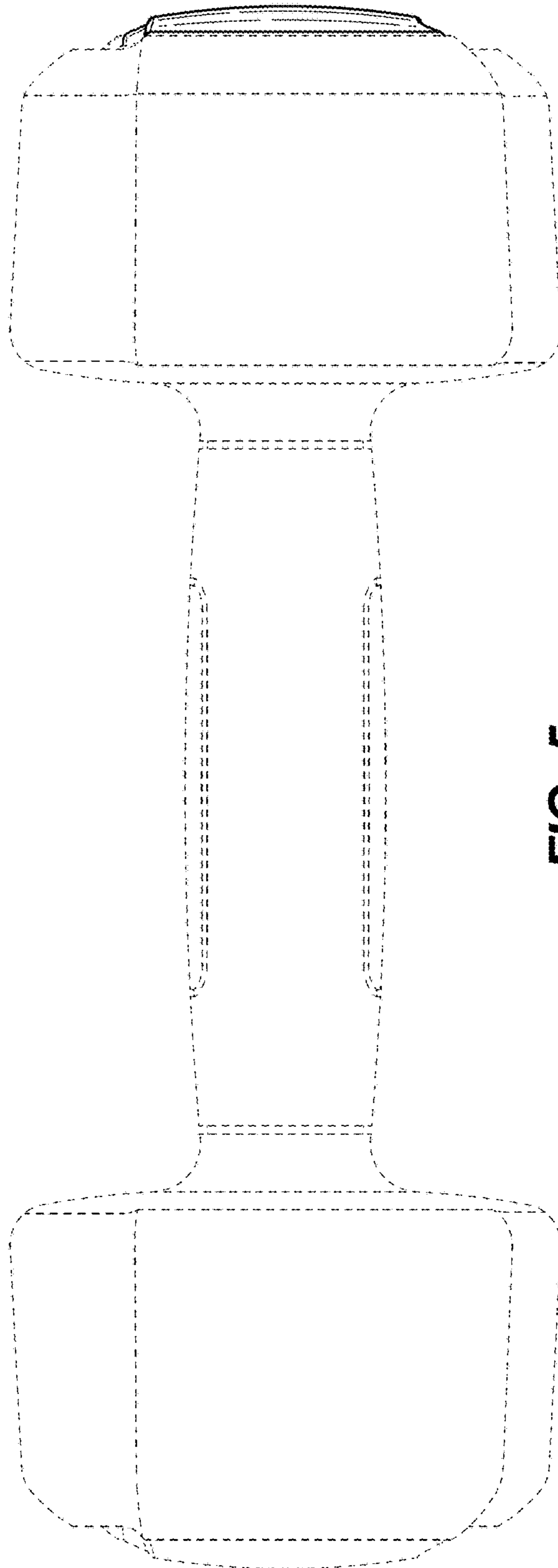


FIG. 5

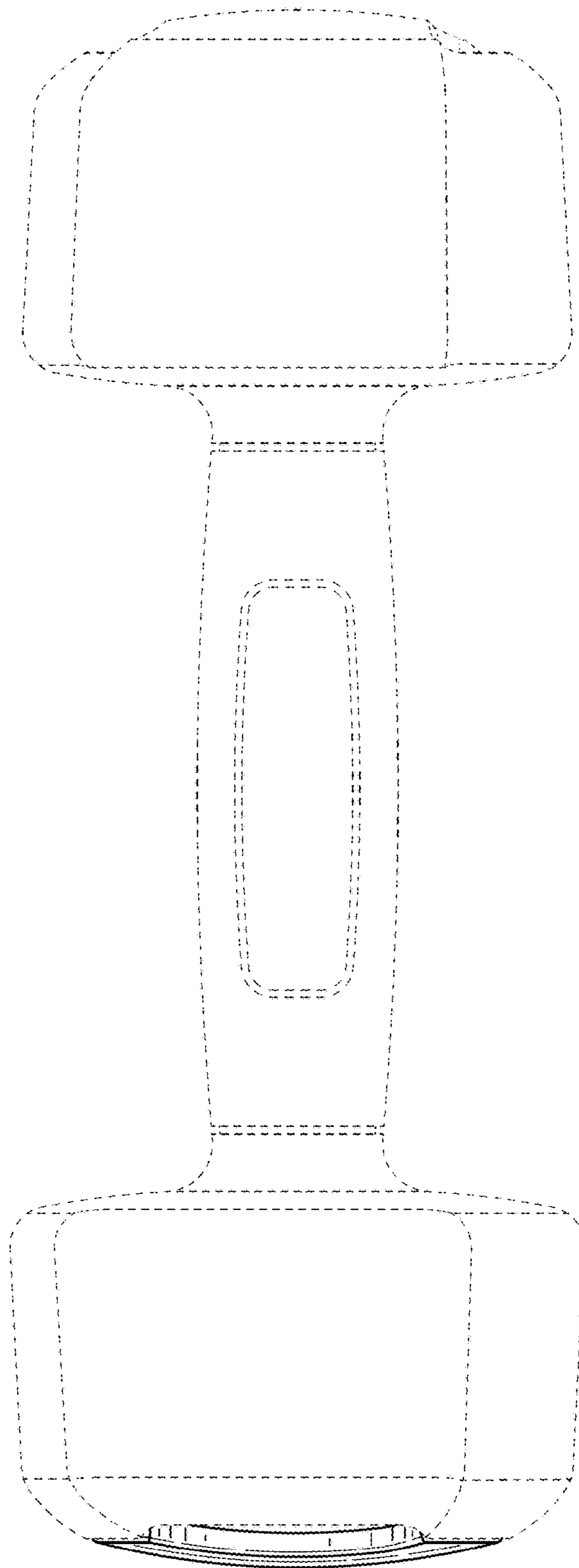


FIG. 6

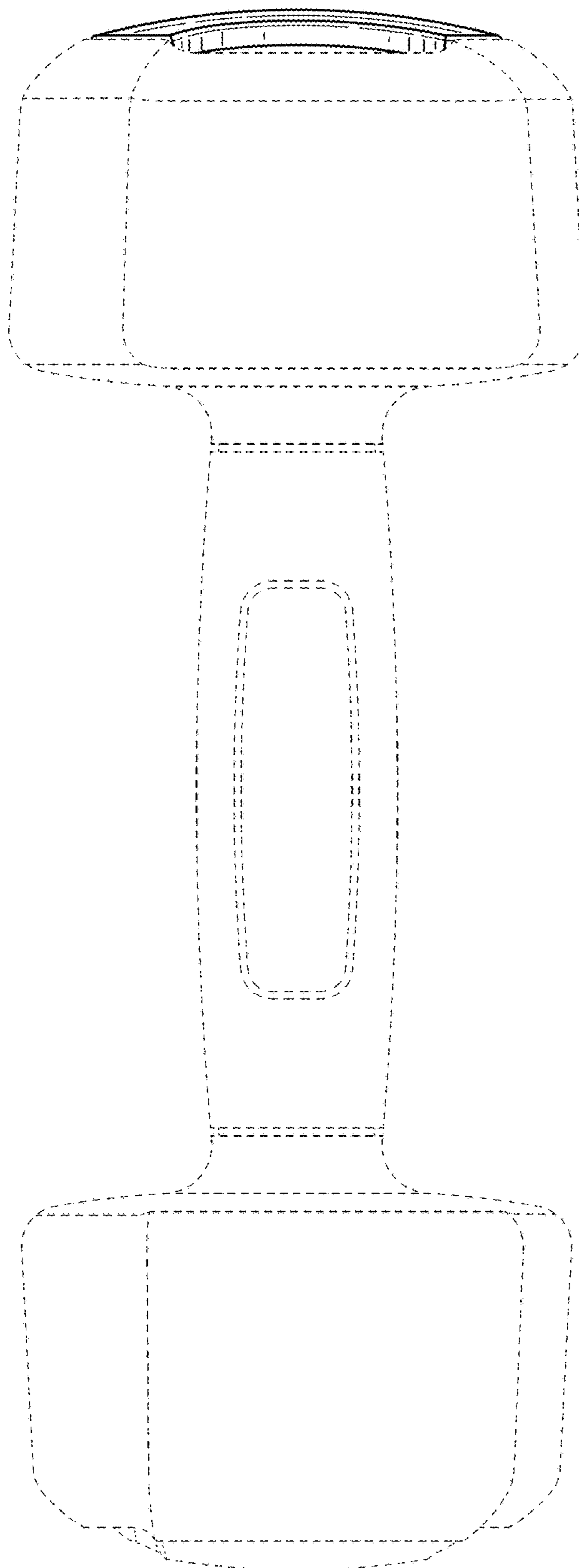


FIG. 7