



US00D844074S

(12) **United States Design Patent**  
**Haquet et al.**

(10) **Patent No.:** **US D844,074 S**

(45) **Date of Patent:** **\*\* Mar. 26, 2019**

(54) **EXERCISE APPARATUS**

(71) Applicant: **DECATHLON**, Villeneuve d'Ascq (FR)

(72) Inventors: **Sebastien Haquet**, Croix (FR); **Charles Cambianica**, Roubaix (FR); **Dorian Hernould**, Marquette (FR)

(73) Assignee: **DECATHLON**, Villeneuve d'Ascq (FR)

(\*\*) Term: **15 Years**

(21) Appl. No.: **29/625,309**

(22) Filed: **Nov. 8, 2017**

(30) **Foreign Application Priority Data**

Jul. 13, 2017 (EM) ..... 004101954-0003

(51) **LOC (11) Cl.** ..... **21-02**

(52) **U.S. Cl.**  
USPC ..... **D21/662**

(58) **Field of Classification Search**  
USPC ..... 482/51, 71, 72, 94, 96, 112, 121, 130, 482/131, 132, 133, 140, 142, 144, 146, 482/147; 601/23, 33, 40, 127, 131; D21/662, 668, 670, 674, 676, 686, 688, D21/689, 690, 694, 695  
CPC ..... A63B 23/1236; A63B 22/16; A63B 22/20; A63B 22/203  
See application file for complete search history.

(56) **References Cited**

**U.S. PATENT DOCUMENTS**

D256,707 S \* 9/1980 MacLaren-Taylor ..... 482/142  
D288,951 S \* 3/1987 Kiiski ..... D21/674

D324,709 S \* 3/1992 Lehtonen ..... D21/674  
D335,512 S \* 5/1993 Gvoich ..... D21/662  
D337,799 S \* 7/1993 Cutter ..... D21/674  
D405,132 S \* 2/1999 Westfall ..... D21/676  
8,157,714 B2 \* 4/2012 Mayr ..... A63B 22/0087  
482/130  
9,022,909 B2 \* 5/2015 Kermath ..... A63B 21/00018  
482/133  
D741,420 S \* 10/2015 Campanaro ..... D21/674

\* cited by examiner

*Primary Examiner* — Cynthia Ramirez

*Assistant Examiner* — Michael A Maharajh

(74) *Attorney, Agent, or Firm* — Fross Zelnick Lehrman & Zissu, P.C.; Charles T. J. Weigell, Esq.

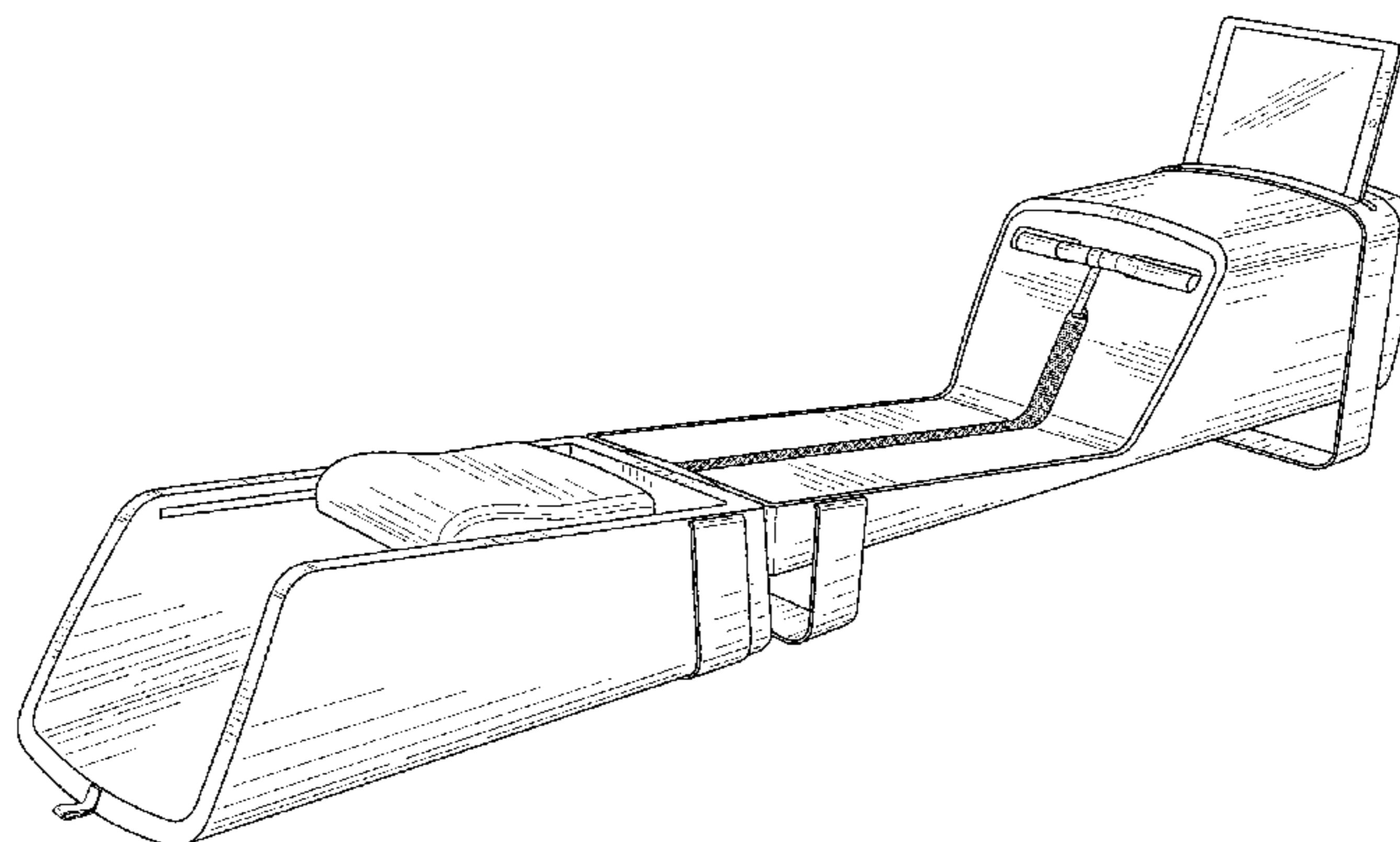
(57) **CLAIM**

The ornamental design for an exercise apparatus, as shown and described.

**DESCRIPTION**

FIG. 1 is a perspective view of an exercise apparatus showing our new design, shown in an open position; FIG. 2 is a front view thereof; FIG. 3 is a back view thereof; FIG. 4 is a left side view thereof; FIG. 5 is a right side view thereof; FIG. 6 is a top view thereof; FIG. 7 is a bottom view thereof; and, FIG. 8 is a perspective view thereof, shown in a closed position. The broken lines shown in the figures are for the purpose of illustrating portions of the exercise apparatus, which form no part of the claimed design.

**1 Claim, 5 Drawing Sheets**



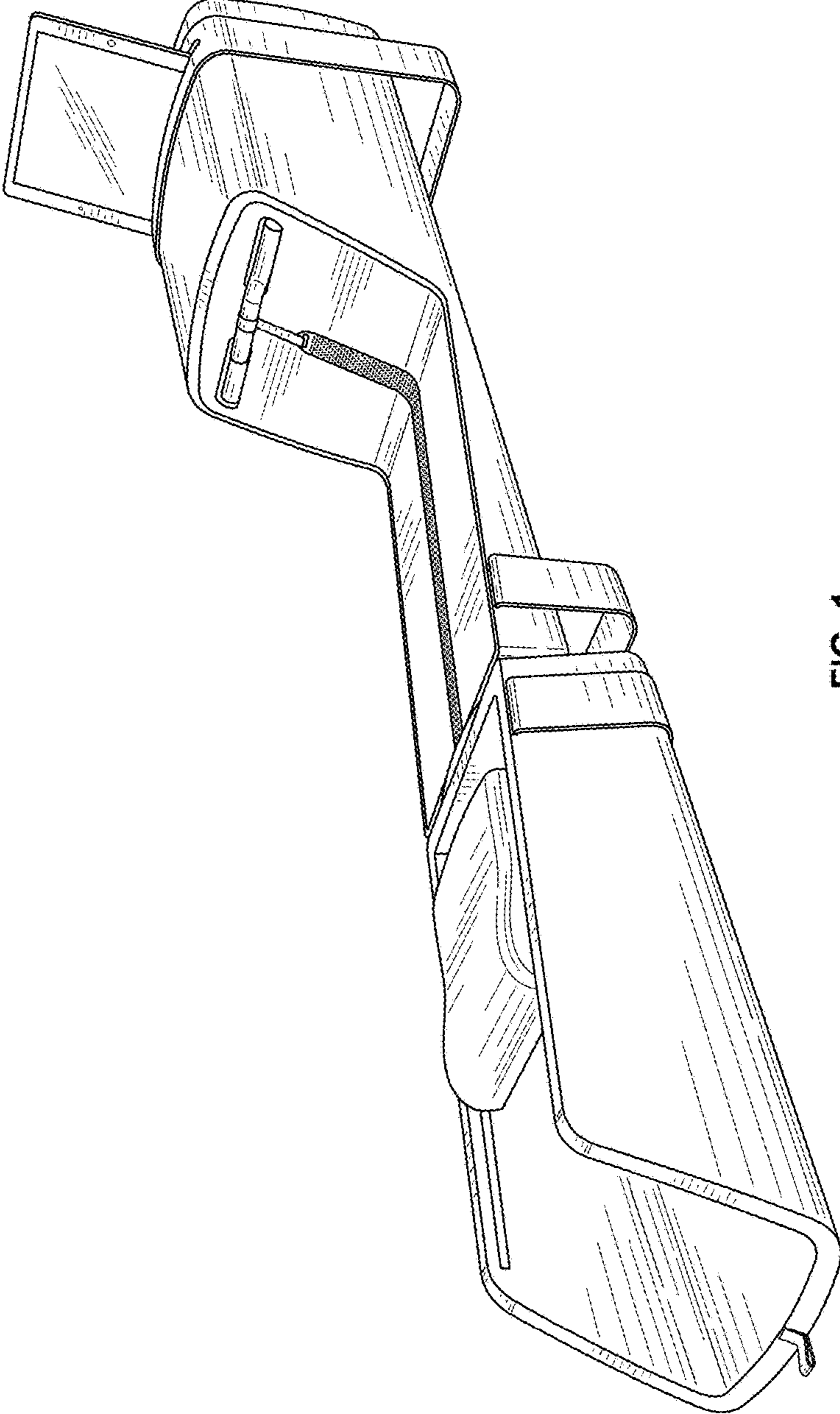


FIG. 1

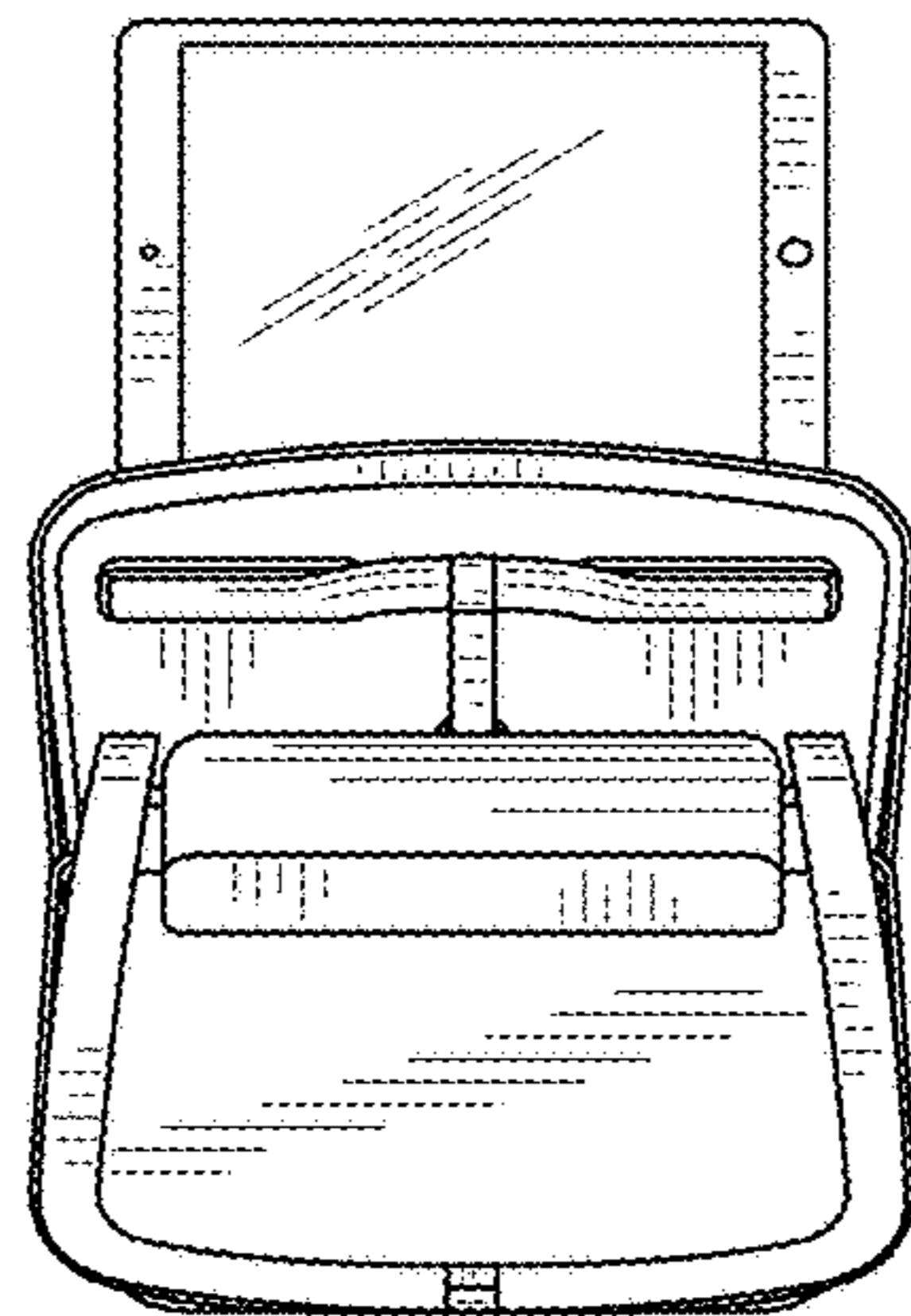


FIG. 2

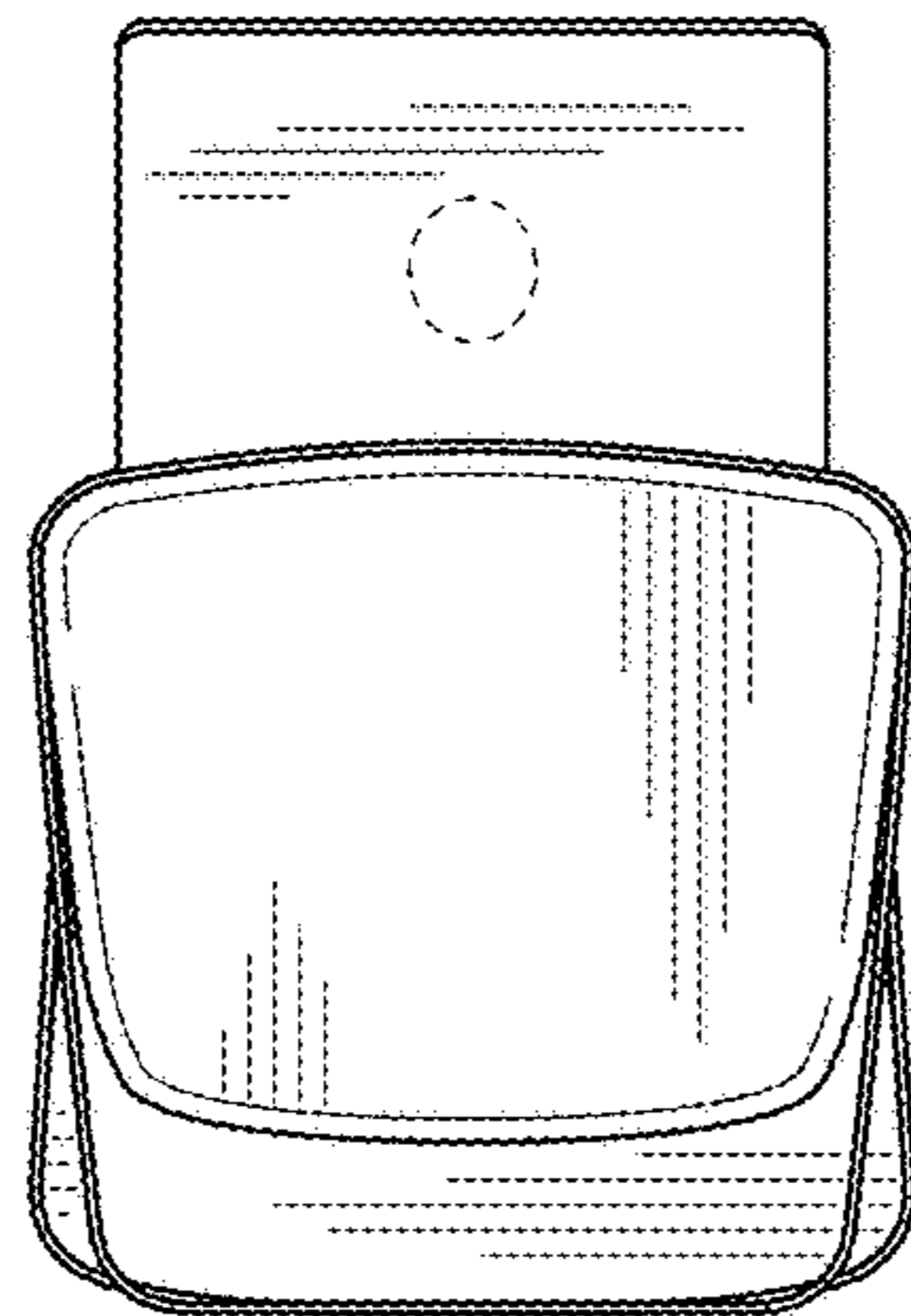


FIG. 3

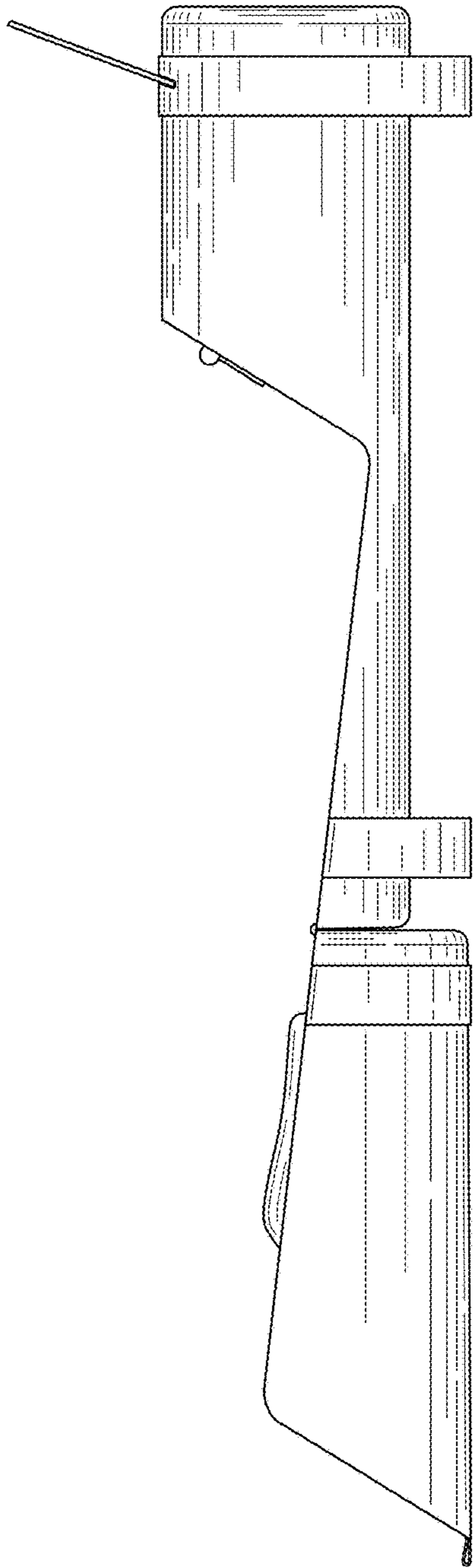


FIG. 4

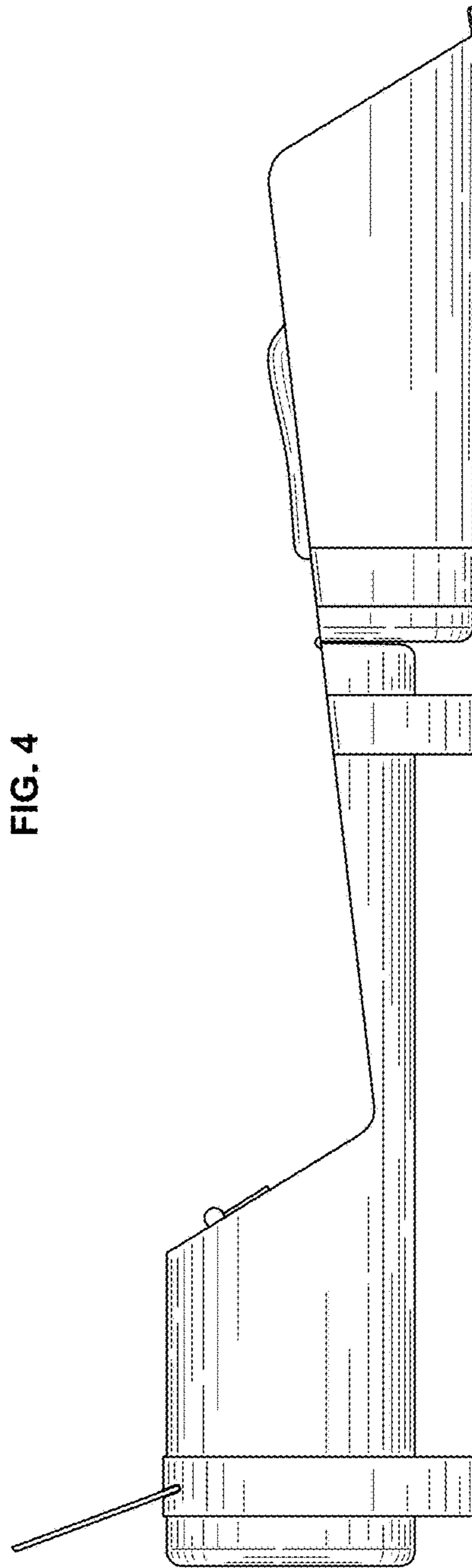


FIG. 5



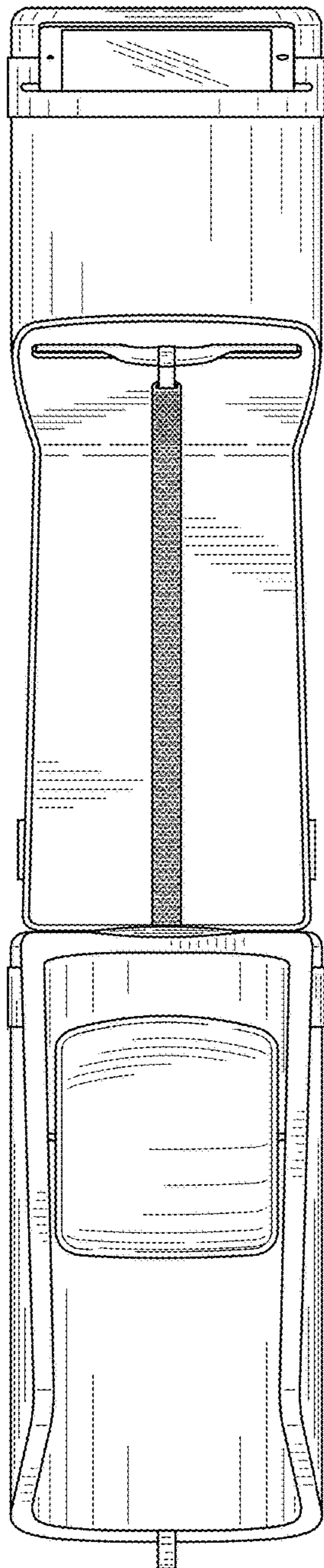


FIG. 6

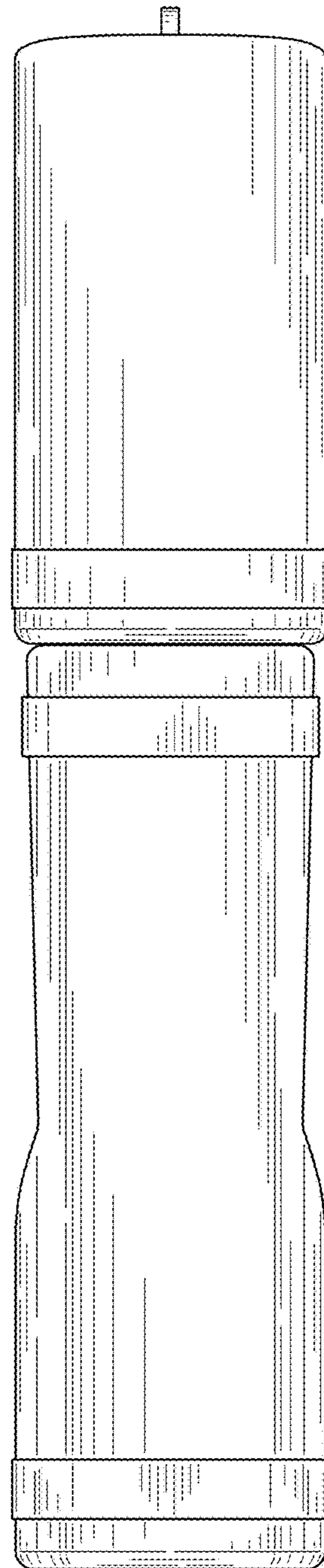


FIG. 7

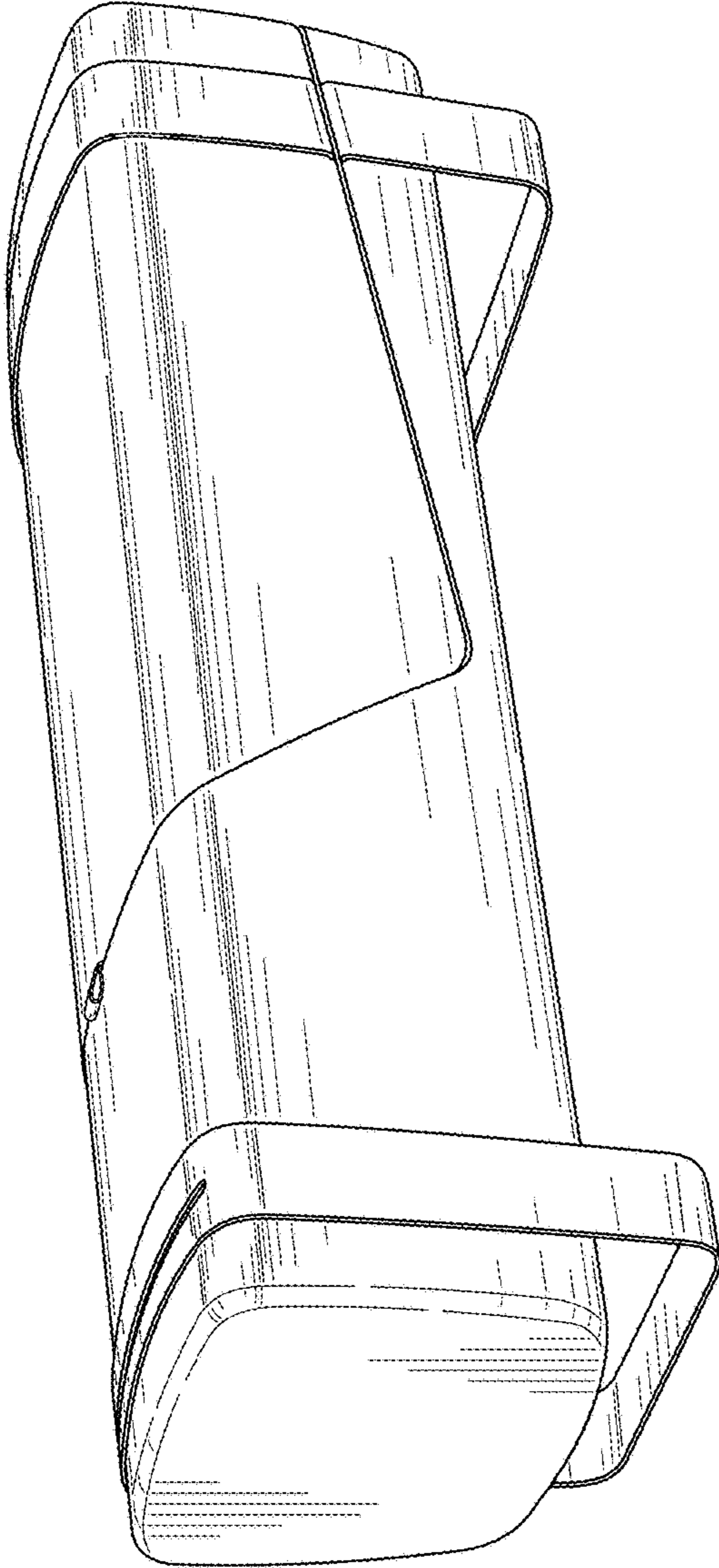


FIG. 8