



US00D844072S

(12) **United States Design Patent**  
**Johnson et al.**

(10) **Patent No.:** **US D844,072 S**  
(45) **Date of Patent:** **\*\* Mar. 26, 2019**

(54) **TOY VEHICLE TRACK COUPLER**

(71) Applicant: **Mattel, Inc.**, El Segundo, CA (US)

(72) Inventors: **Paul David Johnson**, New York, NY (US); **Katherine Ellen Powers**, New York, NY (US); **Natalie Louise Miliano**, Brooklyn, NY (US)

(73) Assignee: **Mattel, Inc.**, El Segundo, CA (US)

(\*\*) Term: **15 Years**

(21) Appl. No.: **29/614,538**

(22) Filed: **Aug. 21, 2017**

(51) **LOC (11) Cl.** ..... **21-01**

(52) **U.S. Cl.**  
USPC ..... **D21/565**

(58) **Field of Classification Search**  
USPC ..... D21/540, 564, 565  
CPC ..... E01B 23/00; E01B 23/02; E01B 23/04;  
E01B 23/06; A63H 18/00; A63H 18/02;  
A63H 18/021; A63H 19/00; A63H 19/30;  
A63H 19/32; A63H 21/00  
See application file for complete search history.

(56) **References Cited**

U.S. PATENT DOCUMENTS

- 4,091,995 A \* 5/1978 Barlow ..... A63H 18/02  
238/10 A
- 4,106,695 A \* 8/1978 Carella ..... A63H 18/02  
104/DIG. 1
- 4,231,517 A \* 11/1980 Cheng ..... A63H 18/02  
191/22 C
- D296,806 S \* 7/1988 Bach ..... D21/565
- 4,898,326 A \* 2/1990 Edwards ..... A63H 19/30  
238/10 E
- 4,997,187 A \* 3/1991 Smollar ..... A63H 18/02  
238/10 E
- D344,306 S \* 2/1994 Ruskai ..... D21/565

- 6,601,774 B1 \* 8/2003 Kasimoff ..... A63H 18/02  
104/60
- D481,424 S \* 10/2003 Rothkopf ..... D21/565
- 6,647,893 B1 \* 11/2003 Fugitt ..... A63H 18/02  
104/126
- D493,849 S \* 8/2004 Elia ..... D21/565
- 6,974,086 B2 \* 12/2005 Cheng ..... A63H 18/02  
238/10 F
- 7,083,111 B2 \* 8/2006 Reisher ..... A63H 18/02  
104/60
- 7,320,435 B2 \* 1/2008 Webster ..... A63H 19/30  
238/10 E

(Continued)

*Primary Examiner* — Robin V Webster

*Assistant Examiner* — Keith J Wilson

(74) *Attorney, Agent, or Firm* — Edell, Shapiro & Finnan, LLC

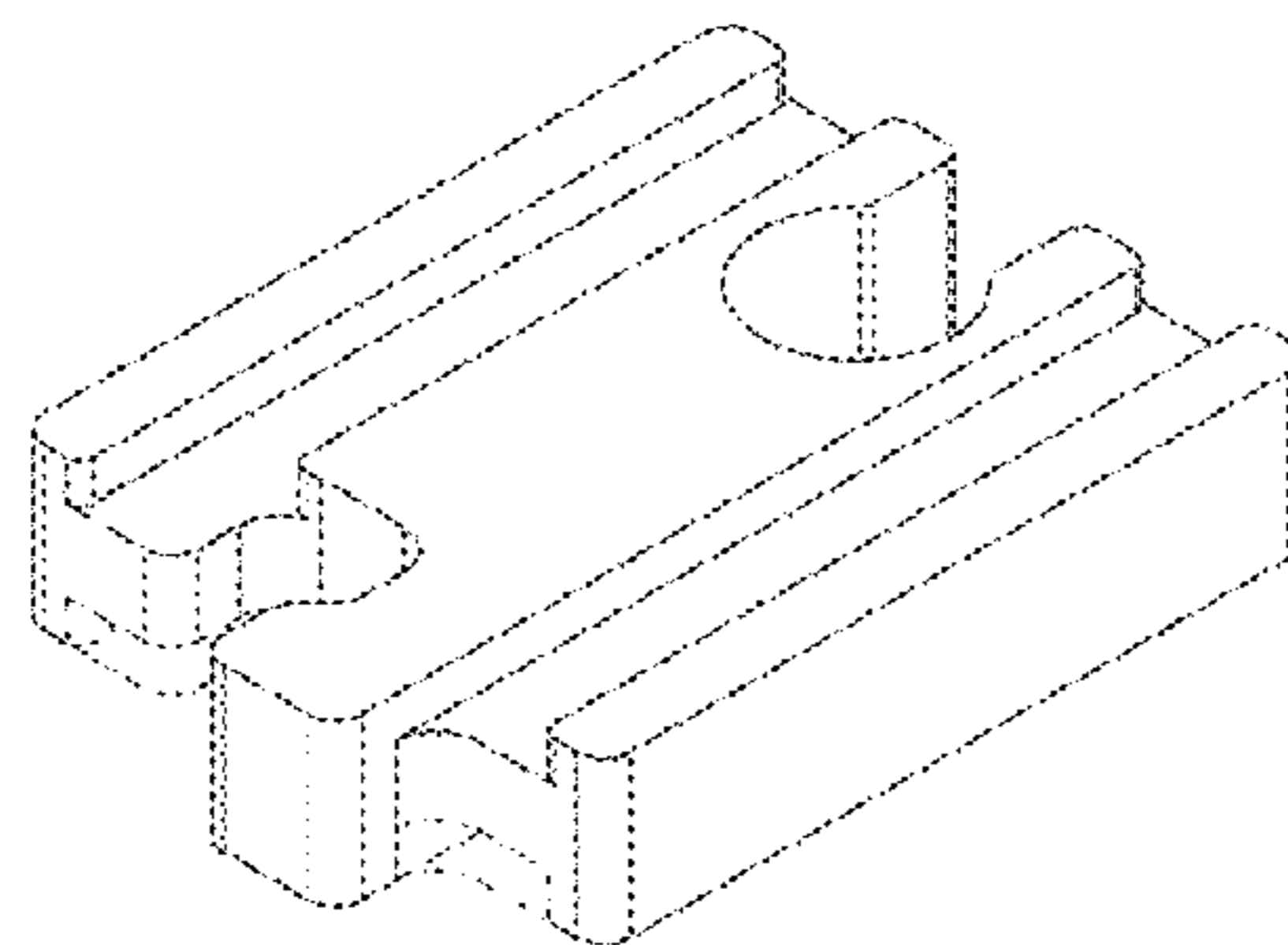
(57) **CLAIM**

The ornamental design for a toy vehicle track coupler, as shown and described.

**DESCRIPTION**

FIG. 1 is a perspective view of a toy vehicle track coupler according to the present invention;  
 FIG. 2 is a top view of the toy vehicle track coupler of FIG. 1;  
 FIG. 3 is a bottom view of the toy vehicle track coupler of FIG. 1;  
 FIG. 4 is a left side view of the toy vehicle track coupler of FIG. 2;  
 FIG. 5 is a right side view of the toy vehicle track coupler of FIG. 2;  
 FIG. 6 is a front view of the toy vehicle track coupler of FIG. 2; and,  
 FIG. 7 is a rear view of the toy vehicle track coupler of FIG. 2.  
 The broken lines shown in the figures are included for the purpose of illustrating the unclaimed portions of the article and form no part of the claimed design.

**1 Claim, 3 Drawing Sheets**



(56)

**References Cited**

U.S. PATENT DOCUMENTS

D651,661 S \* 1/2012 Yuen ..... D21/565  
2008/0265049 A1 \* 10/2008 Stadlbauer ..... A63H 18/02  
238/10 F

\* cited by examiner

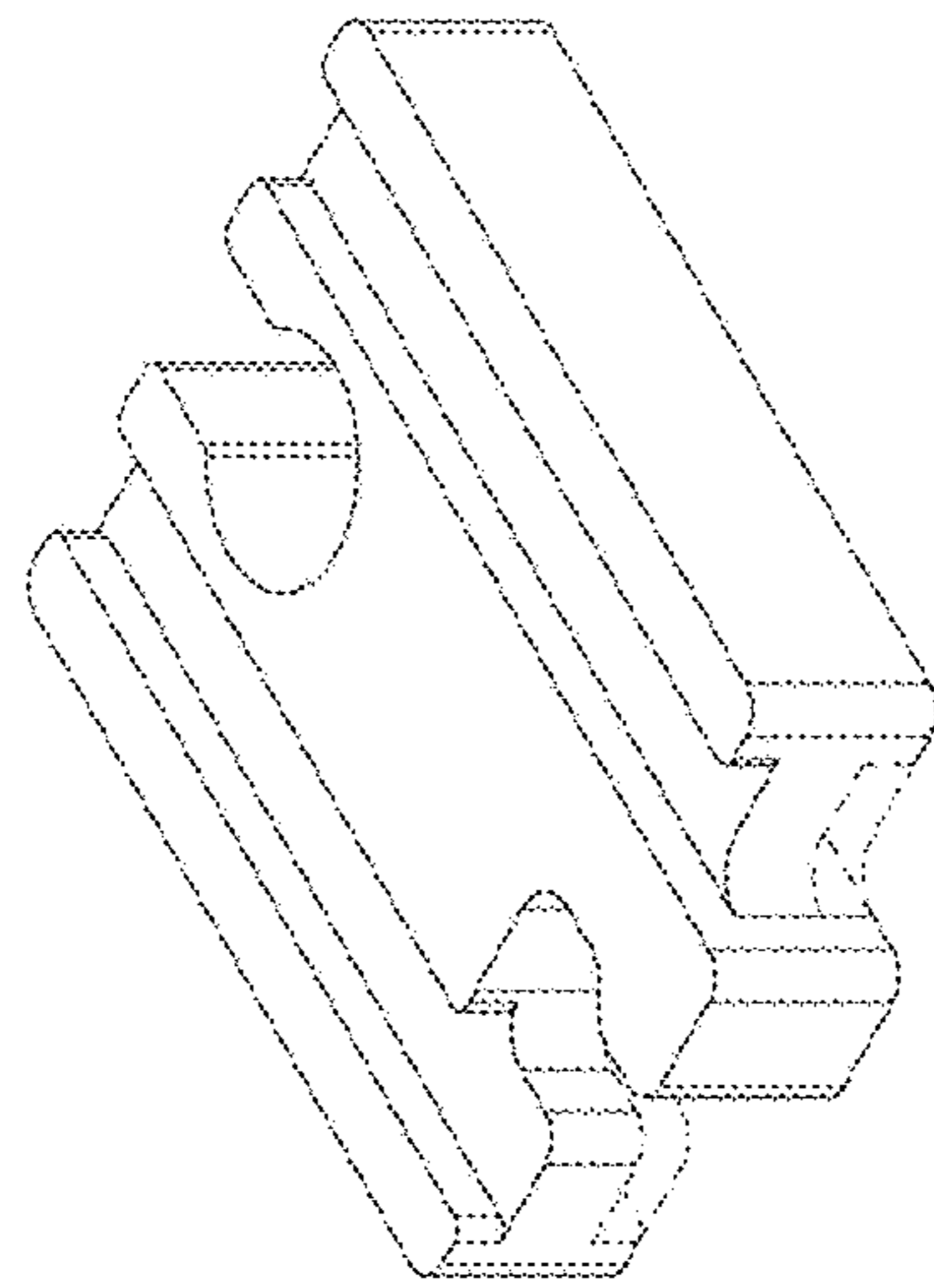


FIG.1

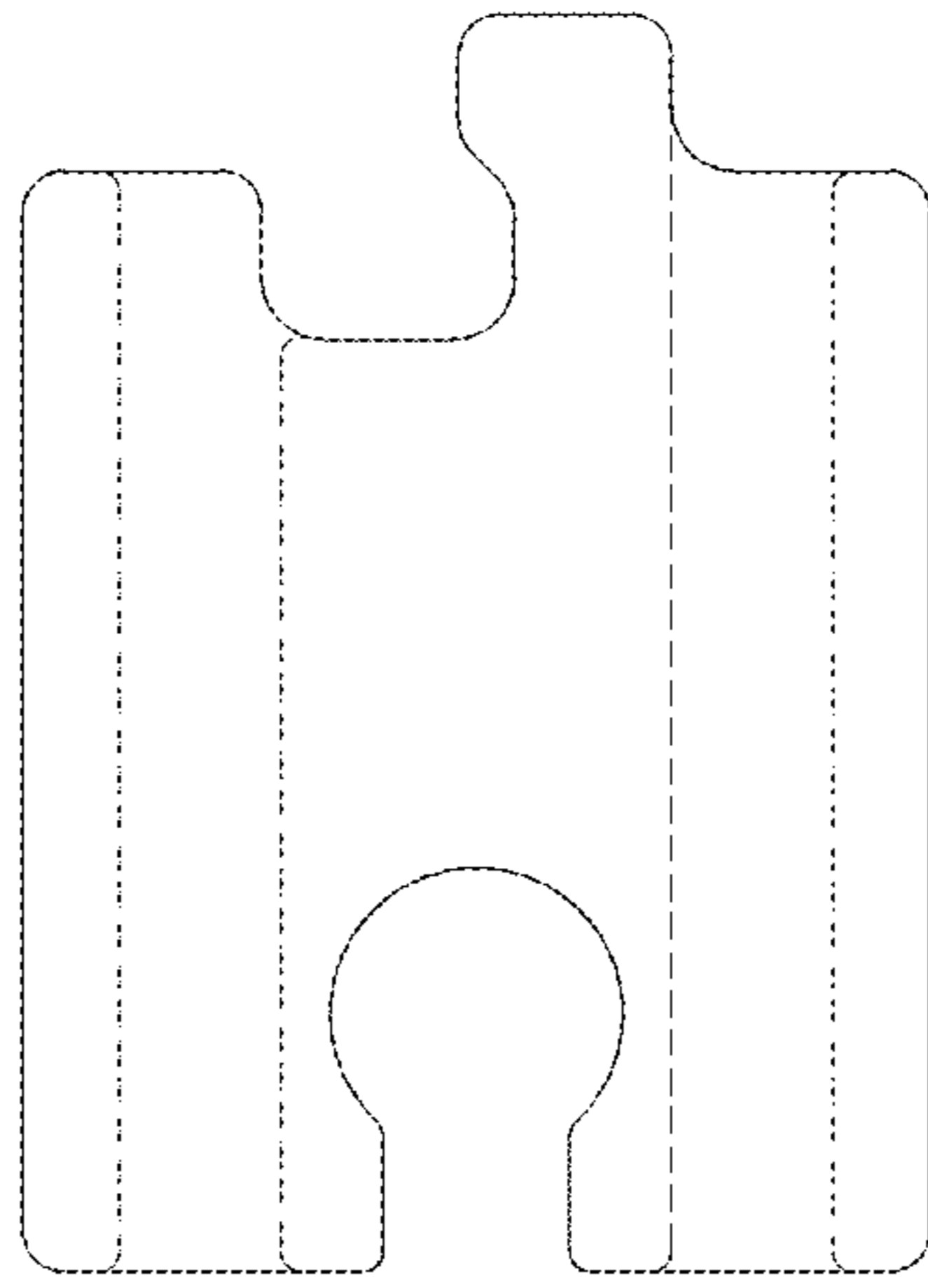


FIG.3

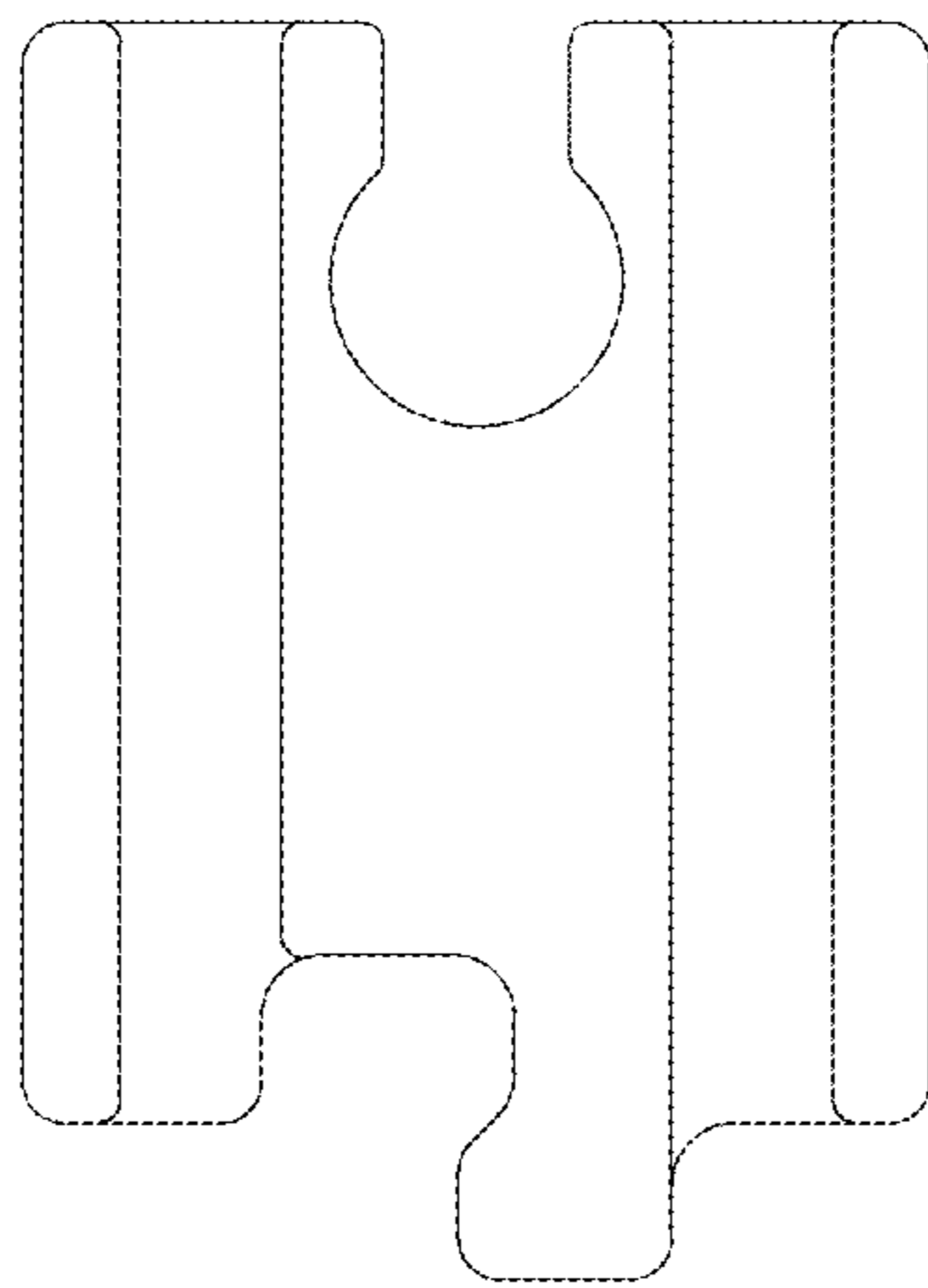


FIG.2

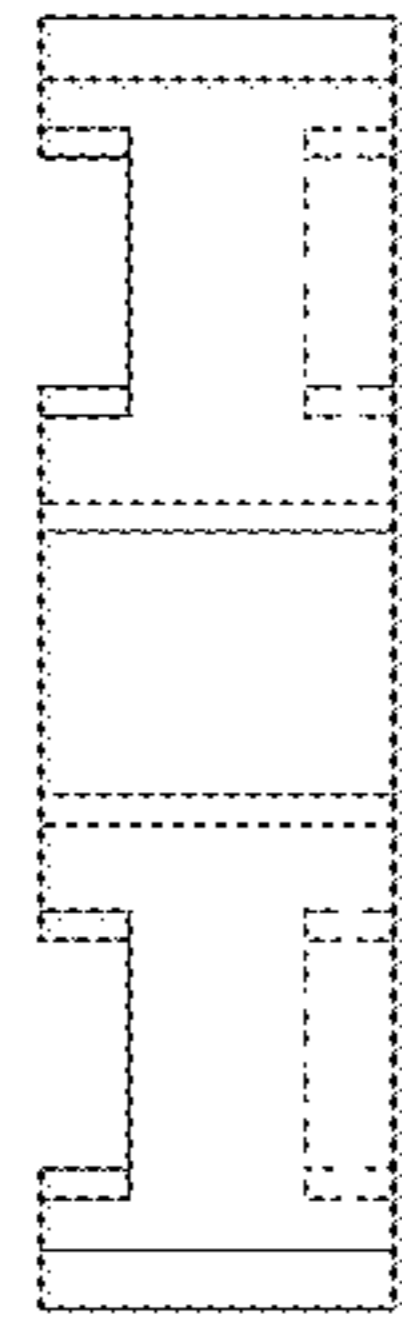


FIG.5

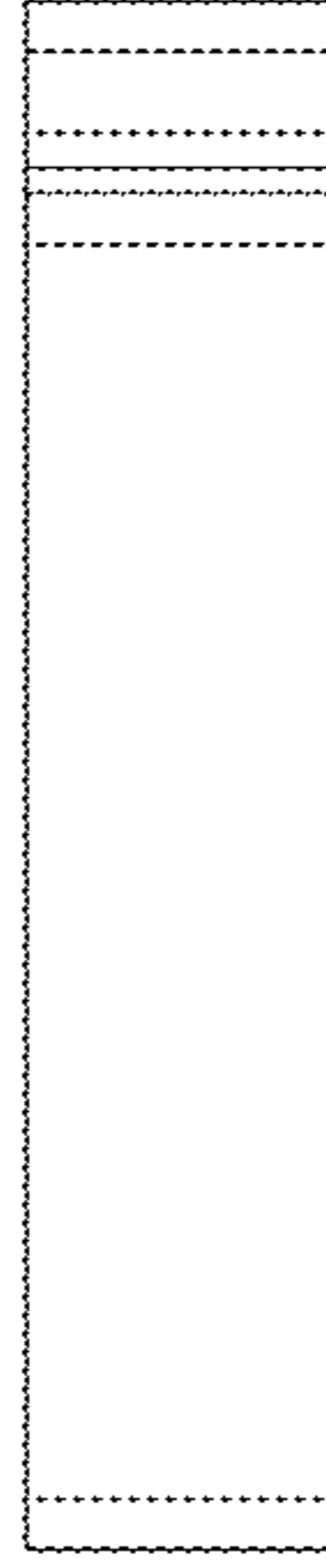


FIG.7

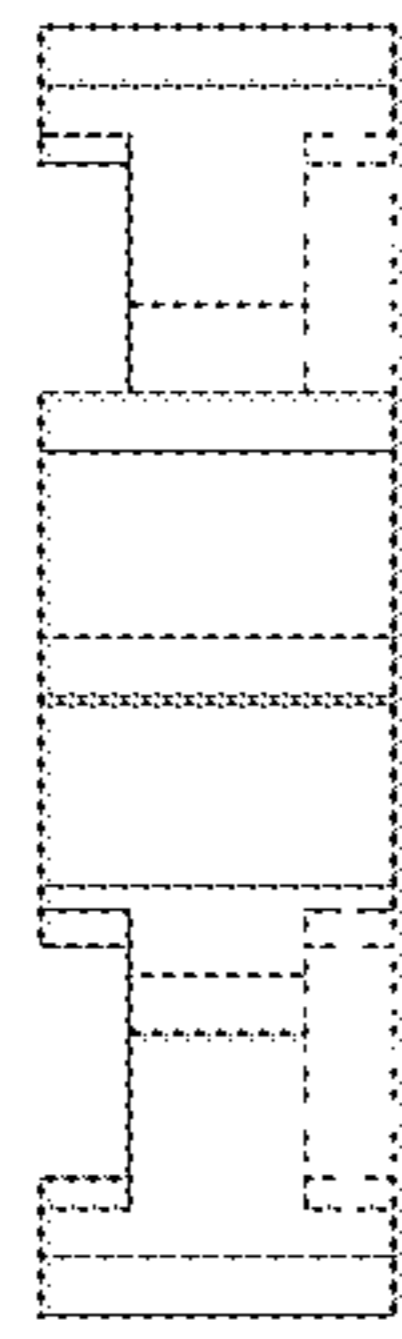


FIG.4

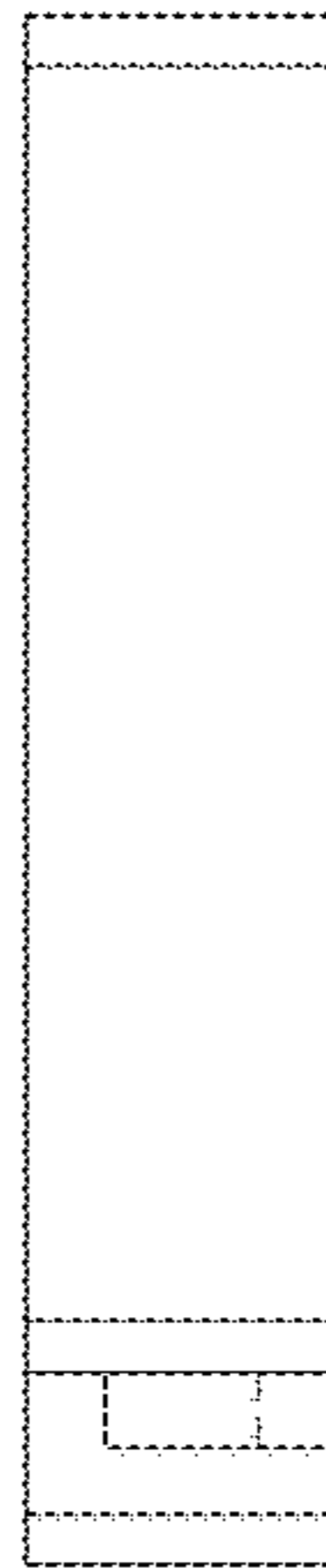


FIG.6