



US00D844070S

(12) **United States Design Patent**  
**Christensen et al.**

(10) **Patent No.:** **US D844,070 S**  
(45) **Date of Patent:** **\*\* Mar. 26, 2019**

- (54) **MODEL VEHICLE PLATFORM**
- (71) Applicant: **TRAXXAS LP**, McKinney, TX (US)
- (72) Inventors: **Casey Christen Jens Christensen**,  
McKinney, TX (US); **Jonathan Scott Wood**,  
Lewisville, TX (US); **Otto Karl Allmendinger**,  
Rowlett, TX (US)
- (73) Assignee: **TRAXXAS LP**, McKinney, TX (US)
- (\*\*) Term: **15 Years**
- (21) Appl. No.: **29/591,404**
- (22) Filed: **Jan. 19, 2017**
- (51) **LOC (11) Cl.** ..... **21-01**
- (52) **U.S. Cl.**  
USPC ..... **D21/562**
- (58) **Field of Classification Search**  
USPC ..... D12/91, 167, 542; D21/433-434, 533,  
D21/548-550, 552, 559, 562  
CPC .... A63H 17/26; A63H 17/262; A63H 17/264;  
A63H 17/266; A63H 17/36; A63H 17/38;  
A63H 29/00; A63H 29/22; A63H 29/24;  
A63H 30/04  
See application file for complete search history.

D570,735 S *	6/2008	Ogihara	.....	D12/82
D577,083 S	9/2008	Nakayama		
D593,616 S *	6/2009	Asai	.....	D21/562
D597,151 S *	7/2009	Ishikawa	.....	D21/562
D802,685 S *	11/2017	Barajas	.....	D21/562

**OTHER PUBLICATIONS**

Axial; SCX10 II 2000 Jeep Cherokee 1/10th Scale Electric 4WD-RTR; <http://www.axialracing.com/products/ax90047>; Aug. 2016.  
 Axial; SCX10 Deadbolt 1/10th Scale Electric 4WD-RTR; <http://www.axialracing.com/products/ax90044>; Aug. 2016.  
 Tibus; Off-Road Engineering; Land Rover Defender; <http://www.tibus-offroad.com/en/products/bolt-on-portals/land-rover/>; Aug. 2016.  
 HPI Racing; HPI Venture FJ Cruiser; <http://www.hpiracing.com/en/article/view/2016012702>; Aug. 2016.  
 Traxxas; Slash 4x4 Overview; Oct. 2009.

\* cited by examiner

*Primary Examiner* — Robin V Webster  
*Assistant Examiner* — Keith J Wilson  
 (74) *Attorney, Agent, or Firm* — Daryl R. Wright; Greg Carr

(57) **CLAIM**

We claim the ornamental design for a model vehicle platform, as shown and described.

**DESCRIPTION**

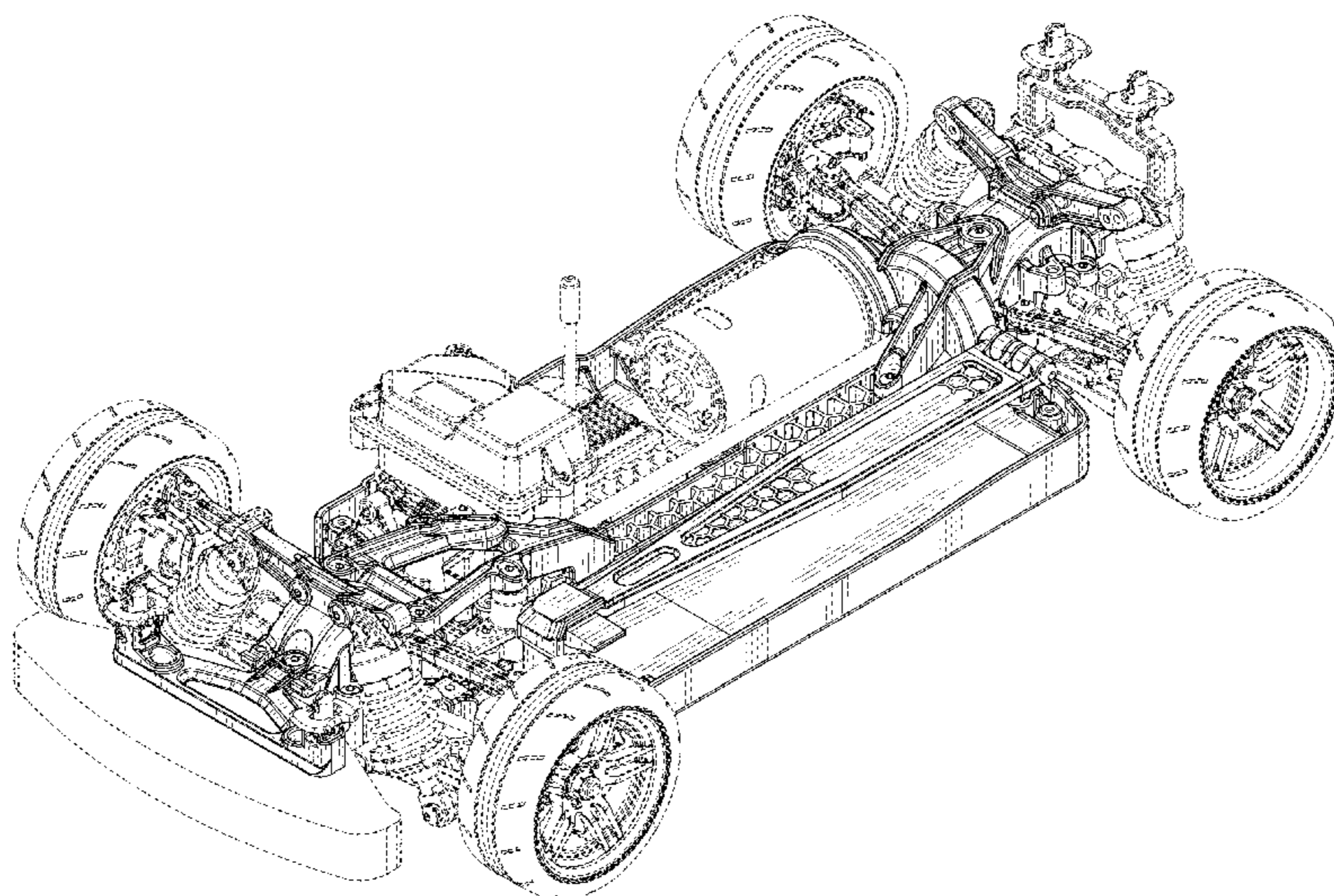
FIG. 1 is a, top, right, front perspective view of a model vehicle platform;  
 FIG. 2 is a front elevation view thereof;  
 FIG. 3 is a rear elevation view thereof;  
 FIG. 4 is a left side elevation view thereof;  
 FIG. 5 is a right side elevation view thereof;  
 FIG. 6 is a top plan view thereof; and,  
 FIG. 7 is a bottom plan view thereof.  
 In the drawings, the broken lines depict environmental subject matter only and form no part of the claimed design.

**1 Claim, 6 Drawing Sheets**

(56) **References Cited**

**U.S. PATENT DOCUMENTS**

D309,930 S	8/1990	Asaeda		
D317,336 S *	6/1991	Tsuchiya	.....	D21/550
D332,979 S	2/1993	Tsuchiya		
5,338,247 A *	8/1994	Miles	.....	A63H 17/262 180/56
D534,593 S	1/2007	Yuen		
D538,861 S *	3/2007	Takahashi	.....	D21/550
D545,721 S *	7/2007	Hacker	.....	D12/1
D549,787 S *	8/2007	Chen	.....	D21/548
D550,311 S *	9/2007	Chen	.....	D21/548
7,281,600 B2 *	10/2007	Chernoff	.....	B62D 21/07 180/291





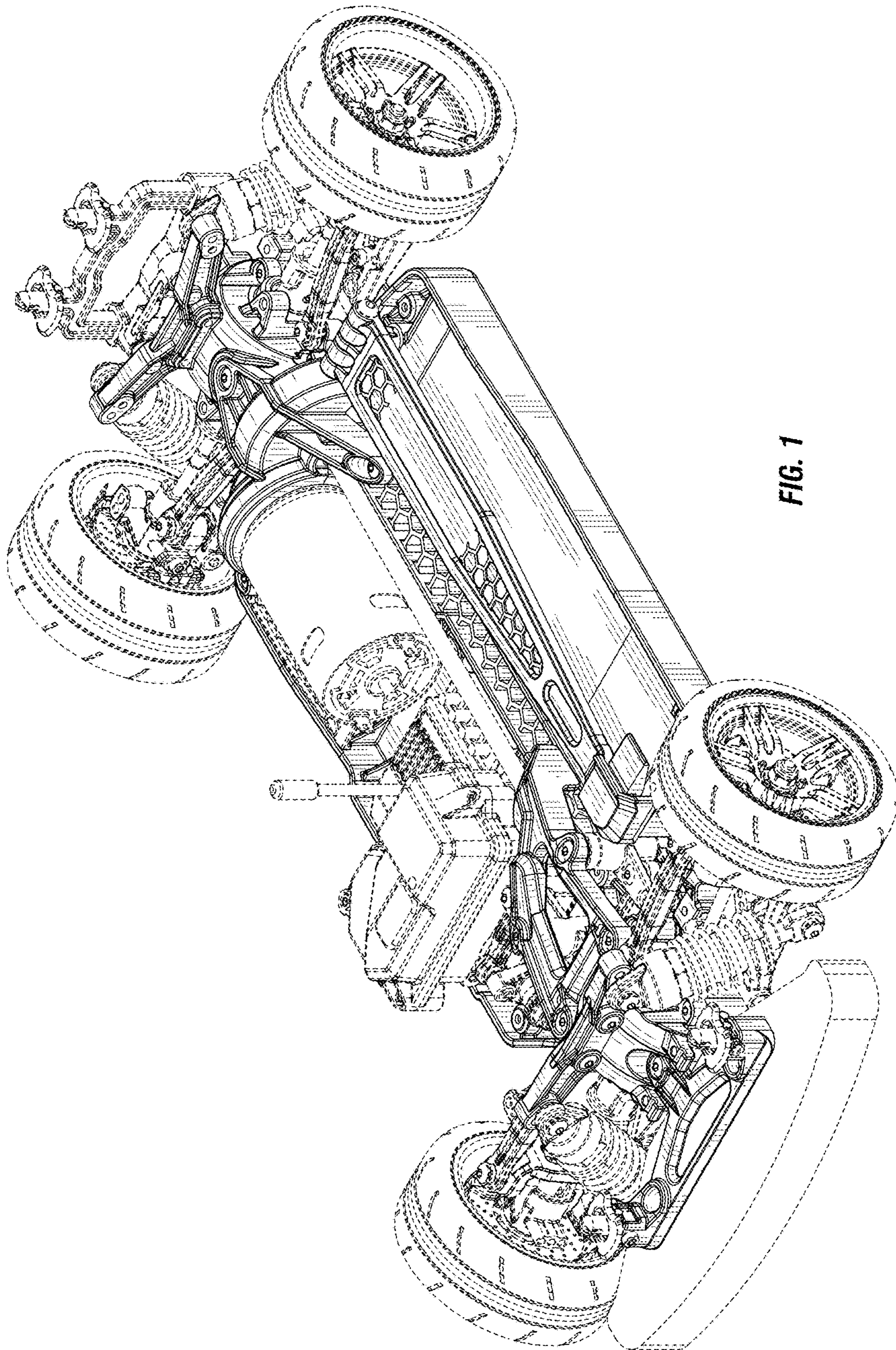
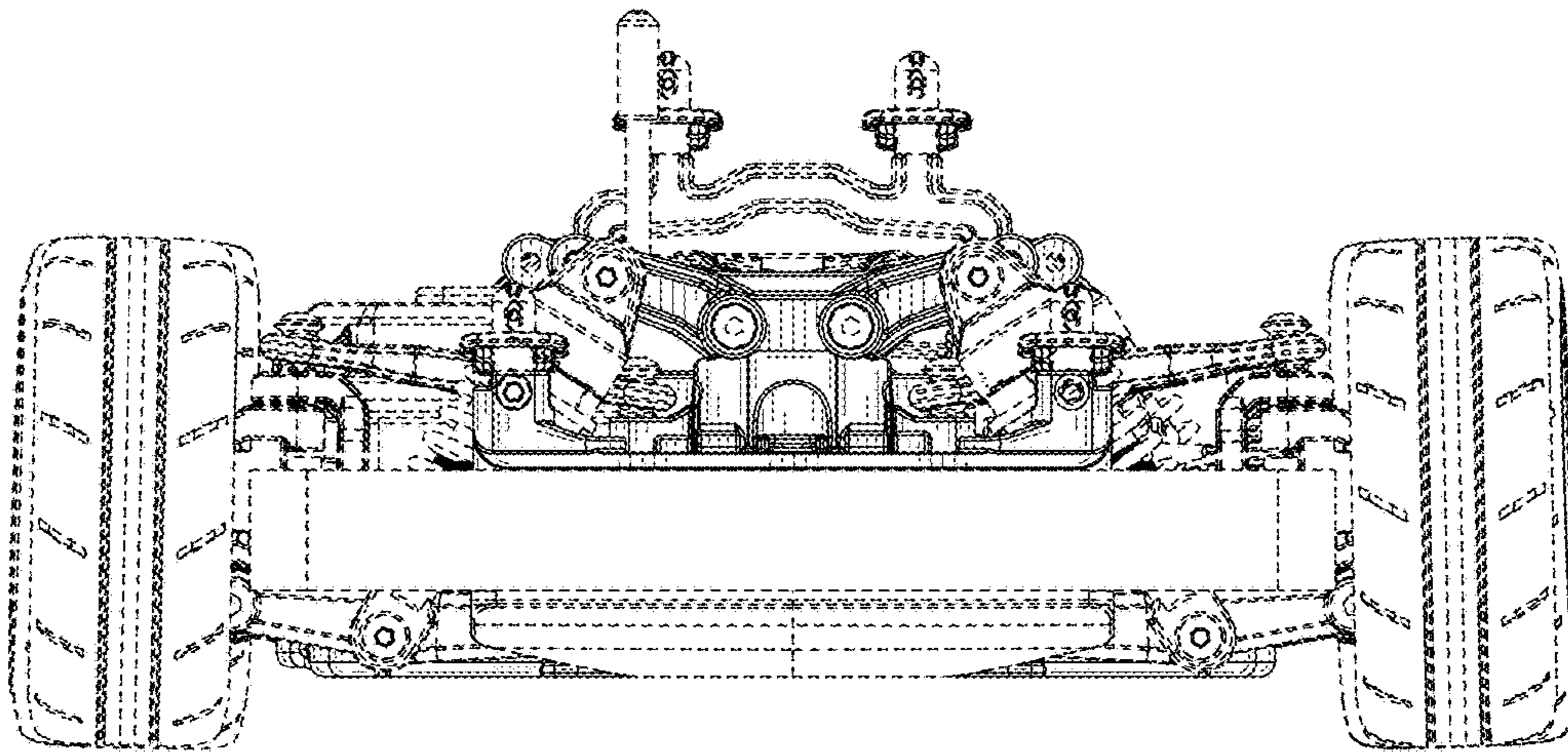
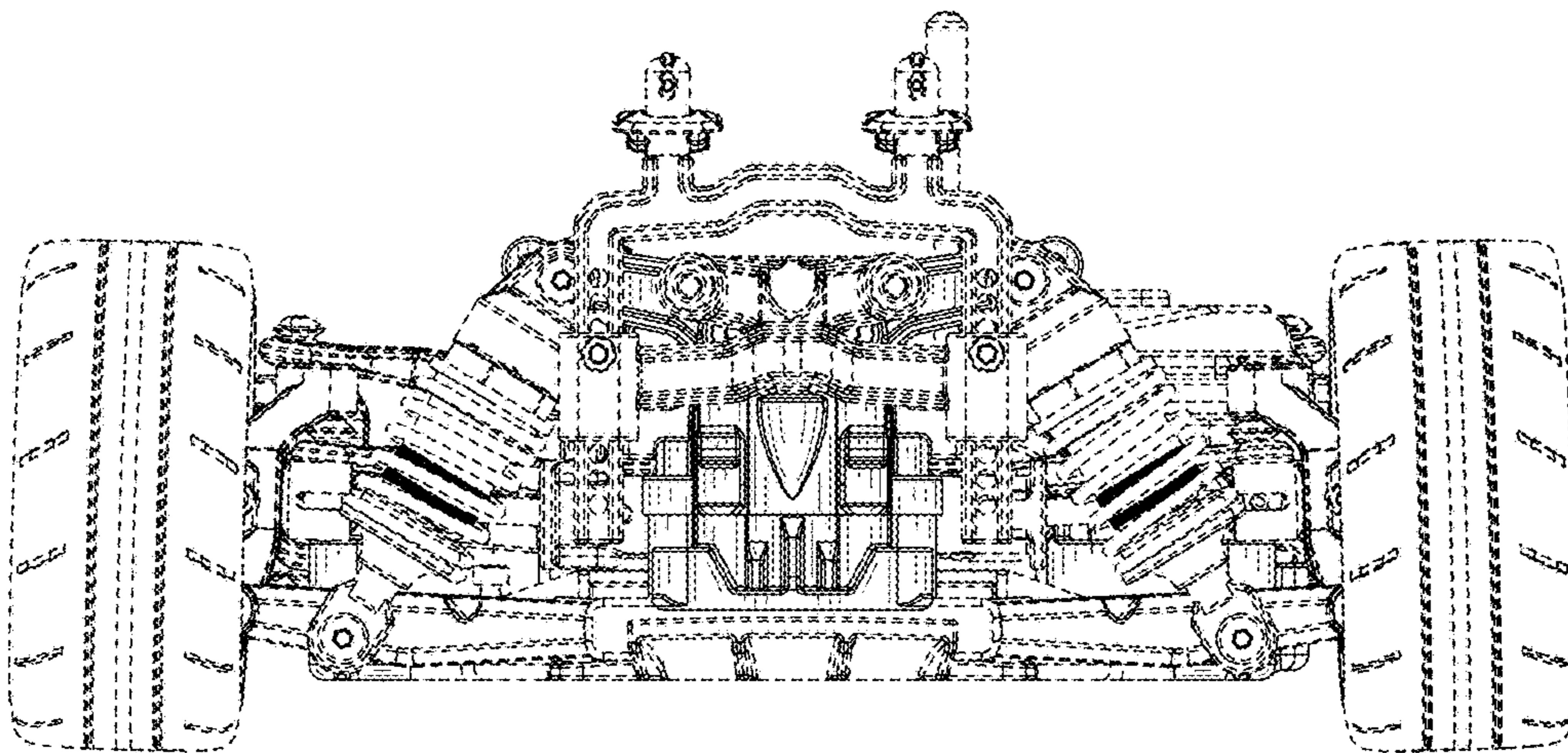


FIG. 1





**FIG. 2**



**FIG. 3**

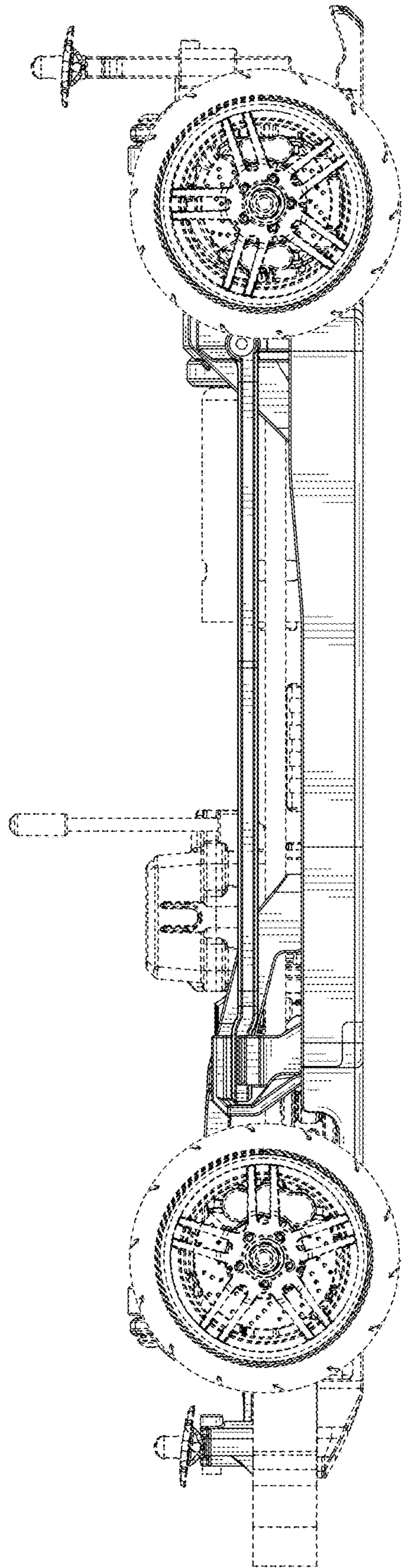


FIG. 4



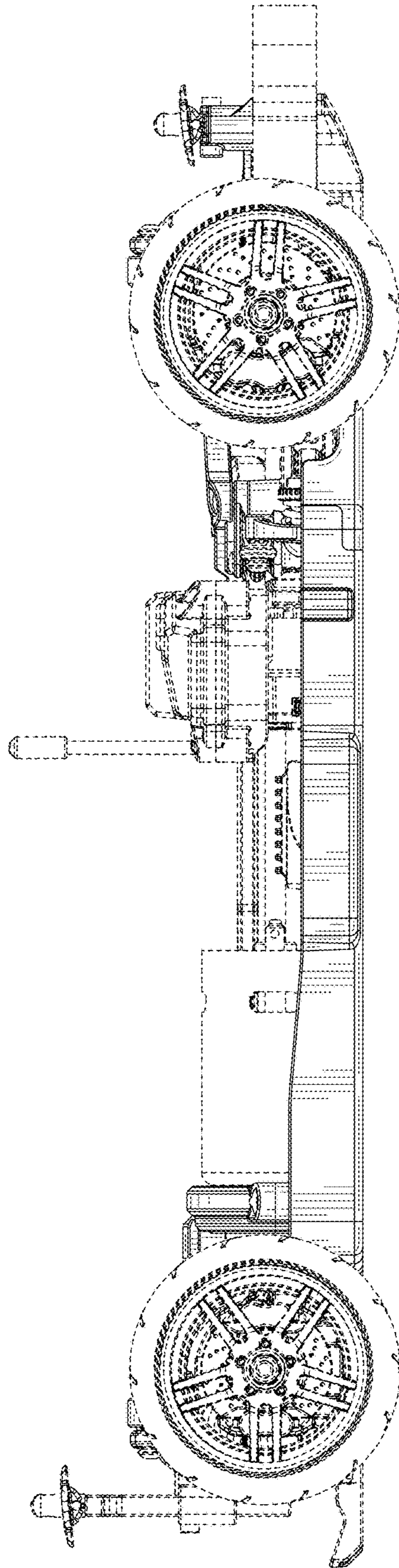


FIG. 5



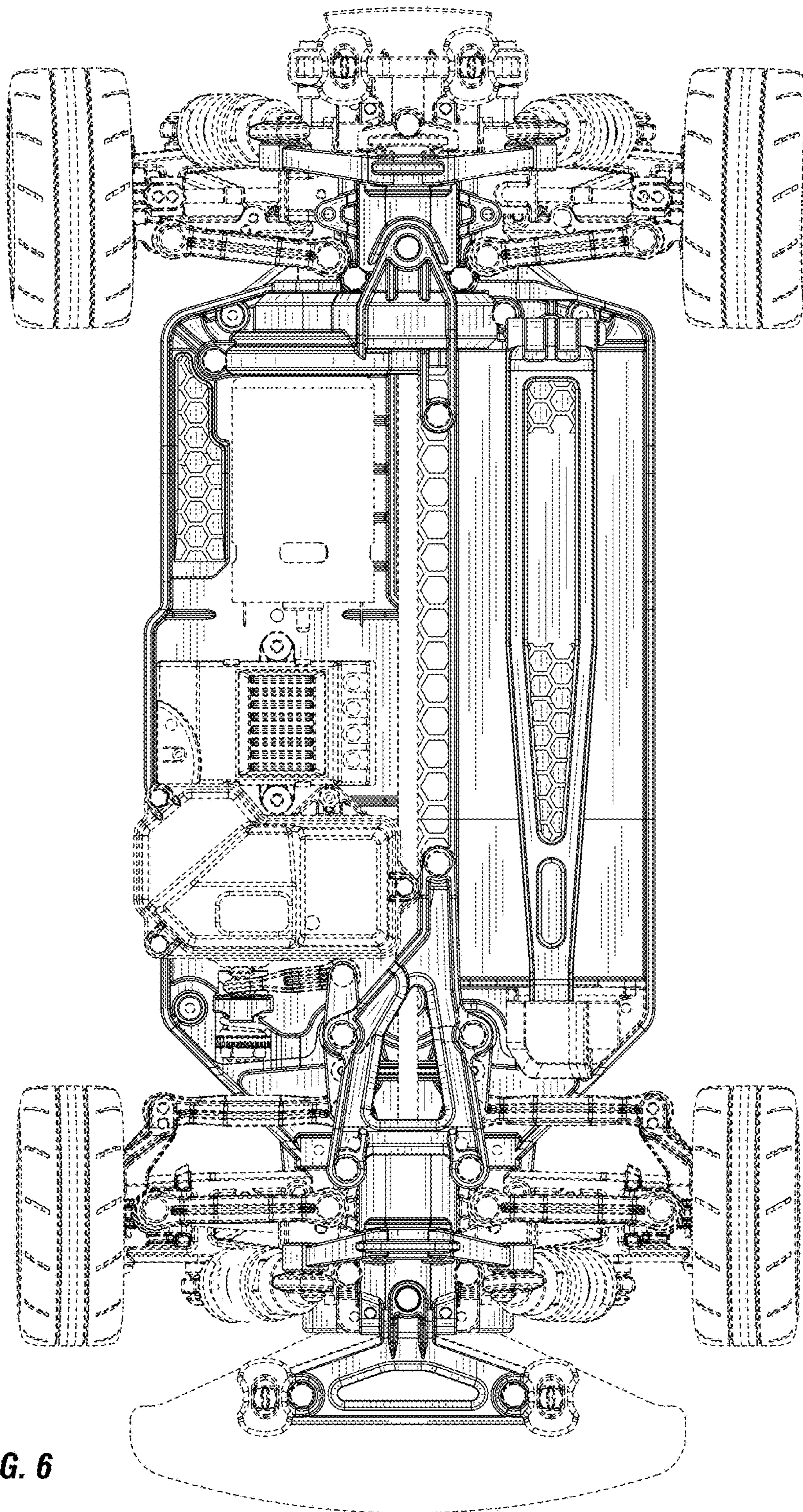


FIG. 6



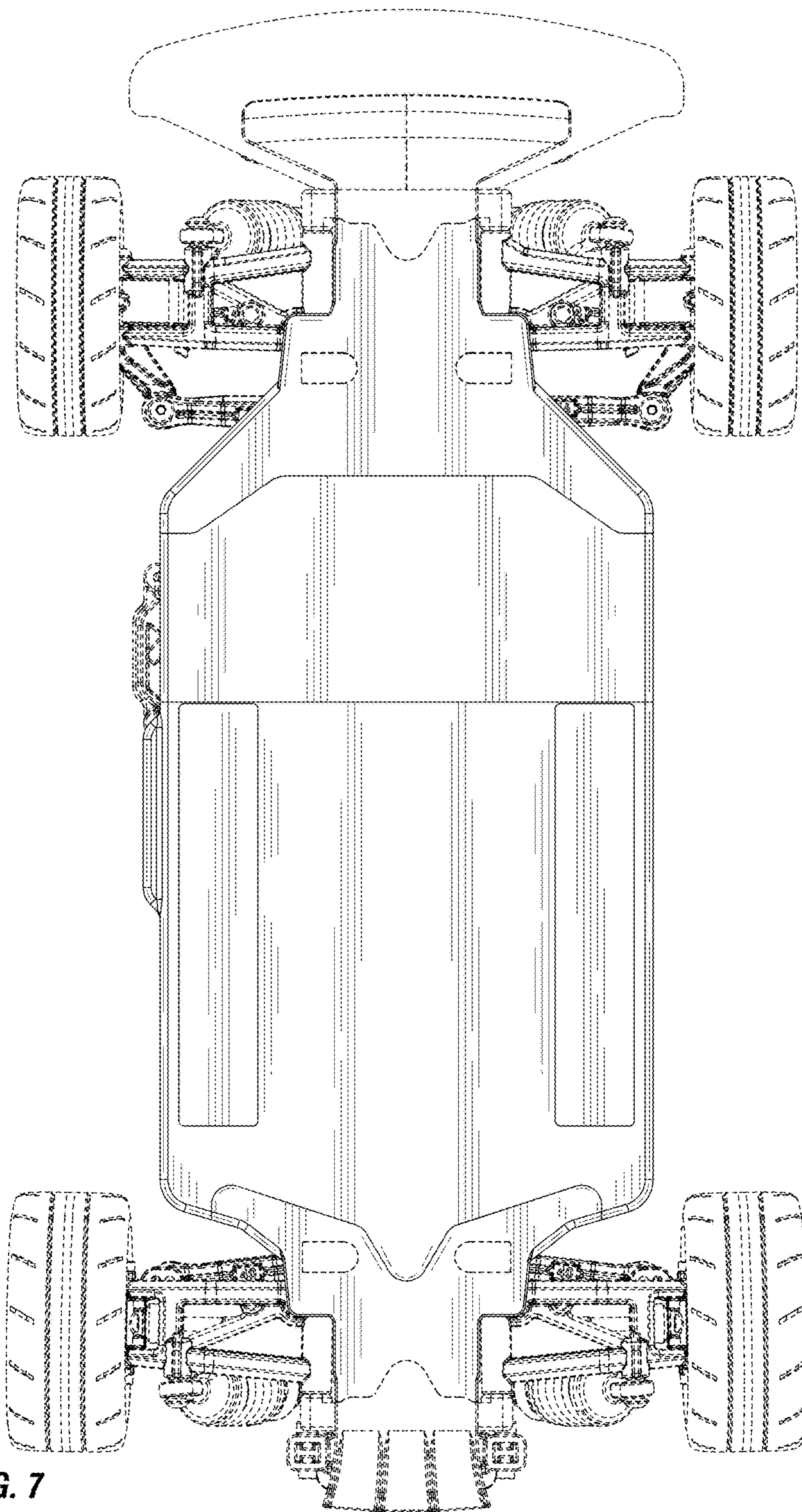


FIG. 7