



US00D844069S

(12) **United States Design Patent**
Horikawa et al.

(10) **Patent No.:** **US D844,069 S**
(45) **Date of Patent:** **** Mar. 26, 2019**

(54) **SPINNING TOP TOY**

DESCRIPTION

(71) Applicant: **TOMY COMPANY, LTD.**, Tokyo (JP)

(72) Inventors: **Akira Horikawa**, Tokyo (JP); **Yasuhiro Yamashita**, Tokyo (JP)

(73) Assignee: **TOMY COMPANY, LTD.**, Tokyo (JP)

(**) Term: **15 Years**

(21) Appl. No.: **29/505,896**

(22) Filed: **Mar. 31, 2016**

(30) **Foreign Application Priority Data**

Dec. 21, 2015 (JP) 2015-028370

(51) **LOC (11) Cl.** **21-01**

(52) **U.S. Cl.**
USPC **D21/460**

(58) **Field of Classification Search**
USPC D21/436, 441, 443, 444, 455, 460-464;
446/236-266

(Continued)

(56) **References Cited**

U.S. PATENT DOCUMENTS

6,746,300 B1 * 6/2004 Matsukawa A63H 1/06
446/256

D608,842 S * 1/2010 Nishimoto D21/460

(Continued)

FOREIGN PATENT DOCUMENTS

CN 3262743 * 11/2002

CN 3262744 * 11/2002

(Continued)

Primary Examiner — Catherine A Tuttle

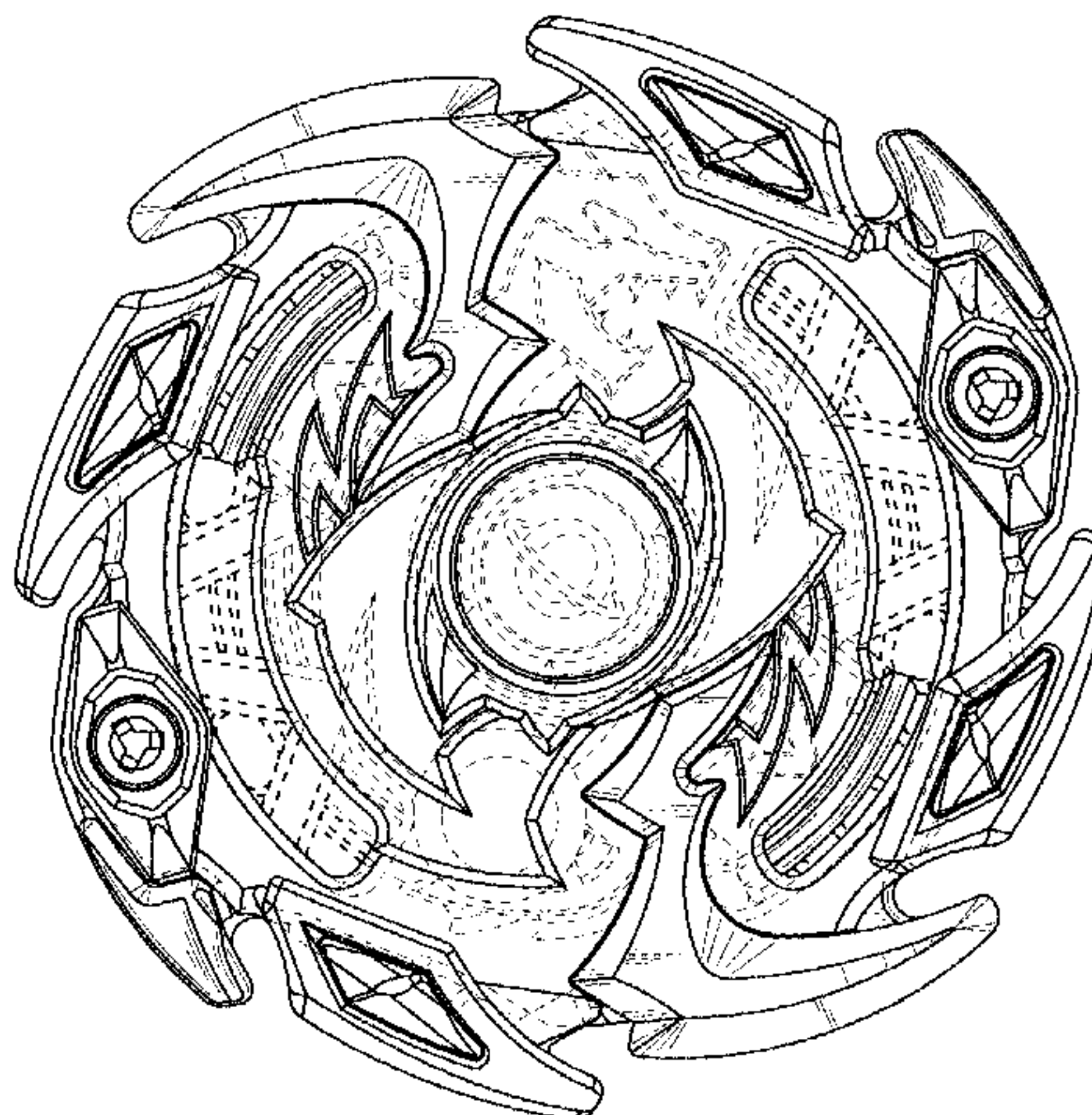
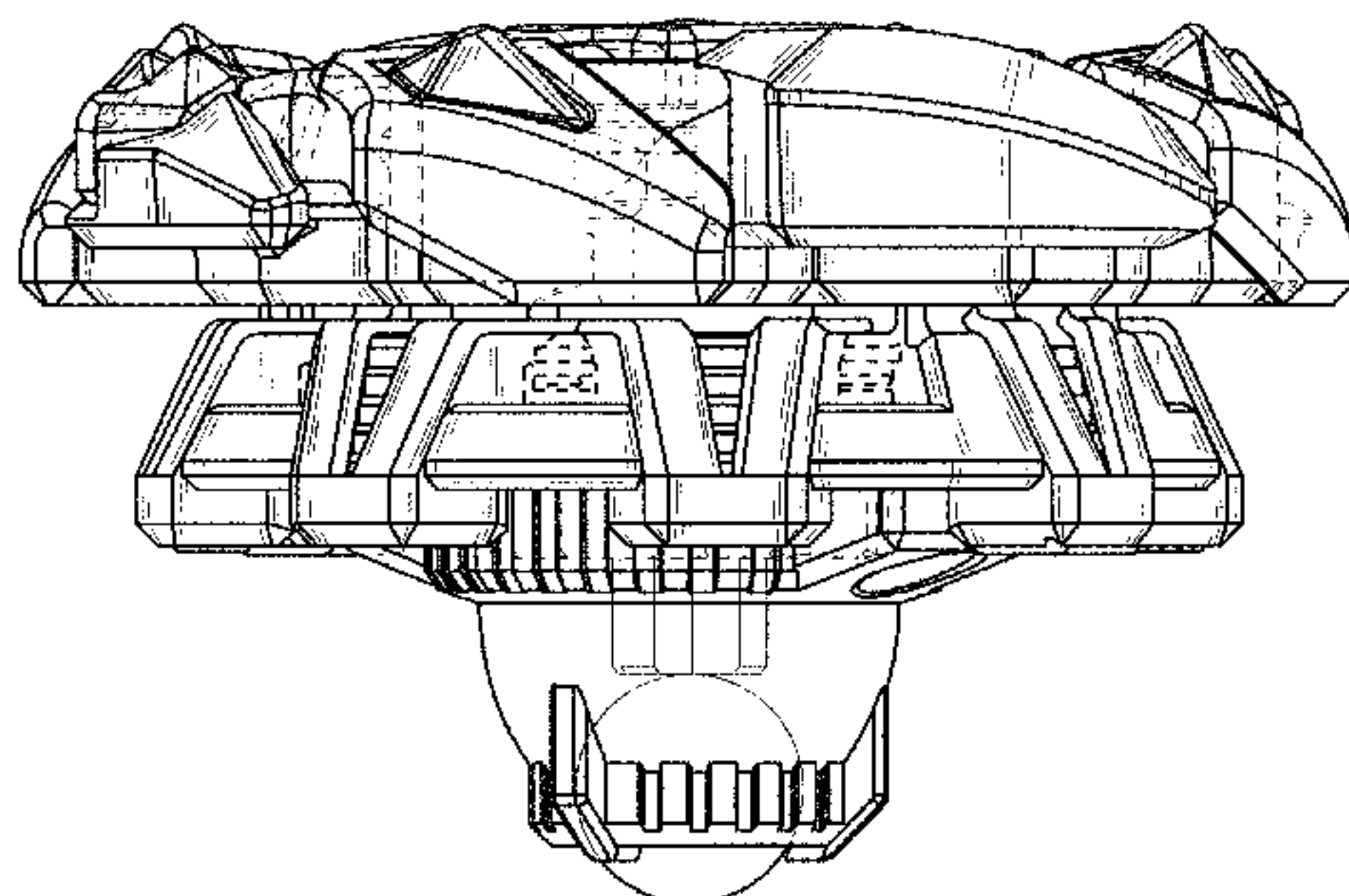
(74) *Attorney, Agent, or Firm* — Staas & Halsey LLP

(57) **CLAIM**

The ornamental design for a spinning top toy, as shown and described.

FIG. 1 is a front view of the spinning top toy showing our design;
FIG. 2 is a left side view thereof;
FIG. 3 is a rear view thereof;
FIG. 4 is right side view thereof;
FIG. 5 is a top view thereof;
FIG. 6 is a bottom view thereof;
FIG. 7 is a perspective view thereof;
FIG. 8 is a front elevational view of the transparent portion of the design shown in isolation for clarity of disclosure;
FIG. 9 is a top plan view of the top surface of the transparent portion shown in isolation for clarity of disclosure.
FIG. 10 is a front view of the spinning top toy, corresponding to FIG. 1 but showing contour shading to the exterior parts and with the interior parts omitted;
FIG. 11 is a left side view thereof corresponding to FIG. 2 but showing contour shading to the exterior parts and with the interior parts omitted;
FIG. 12 is a rear view thereof corresponding to FIG. 3 but showing contour shading to the exterior parts and with the interior parts omitted;
FIG. 13 is right side view thereof corresponding to FIG. 4 but showing contour shading to the exterior parts and with the interior parts omitted;
FIG. 14 is a top view thereof corresponding to FIG. 5 but showing contour shading to the exterior parts and with the interior parts omitted;
FIG. 15 is a bottom view thereof corresponding to FIG. 6 but showing contour shading to the exterior parts and with the interior parts omitted;
FIG. 16 is a perspective view thereof corresponding to FIG. 7 but showing contour shading to the exterior parts and with the interior parts omitted;
FIG. 17 is a front elevational view corresponding to FIG. 8, but showing contour shading to the exterior parts and with the interior parts omitted; and,
FIG. 18 is a top plan view corresponding to FIG. 9, but showing contour shading.
The portions of the spinning top toy shown in broken lines form no part of the claimed design.

1 Claim, 18 Drawing Sheets



(58) **Field of Classification Search**

CPC A63H 1/00–1/32; A63F 9/16
See application file for complete search history.

(56) **References Cited**

U.S. PATENT DOCUMENTS

D614,245	S	*	4/2010	Ujita	D21/460
D629,469	S	*	12/2010	Nishimoto	D21/460
D629,847	S	*	12/2010	Ujita	D21/460
D629,848	S	*	12/2010	Ujita	D21/460
D639,869	S	*	6/2011	Nishimoto	D21/460
D646,729	S	*	10/2011	Ujita	D21/460
D660,918	S	*	5/2012	Ujita	D21/460
D665,859	S	*	8/2012	Horikoshi	D21/460
D666,252	S	*	8/2012	Ujita	D21/460
D666,253	S	*	8/2012	Ujita	D21/460
9,737,821	B1	*	8/2017	Horikoshi	A63H 1/18
2003/0064660	A1	*	4/2003	Matsukawa	A63F 3/00895
						446/256
2010/0159798	A1	*	6/2010	Bertrand	A63H 1/02
						446/259
2015/0017872	A1	*	1/2015	Choi	A63H 1/02
						446/259

FOREIGN PATENT DOCUMENTS

CN	300687773	*	9/2007		
CN	300846669	*	11/2008		
CN	302021519	*	8/2012		
CN	303467759	*	11/2015		
CN	303533300	*	12/2015		
JP	3160638	U	*	7/2010 A63H 1/00
JP	3160657	U	*	7/2010 A63H 1/00
WO	WO-2010151017	A2	*	12/2010 A63H 1/02

* cited by examiner

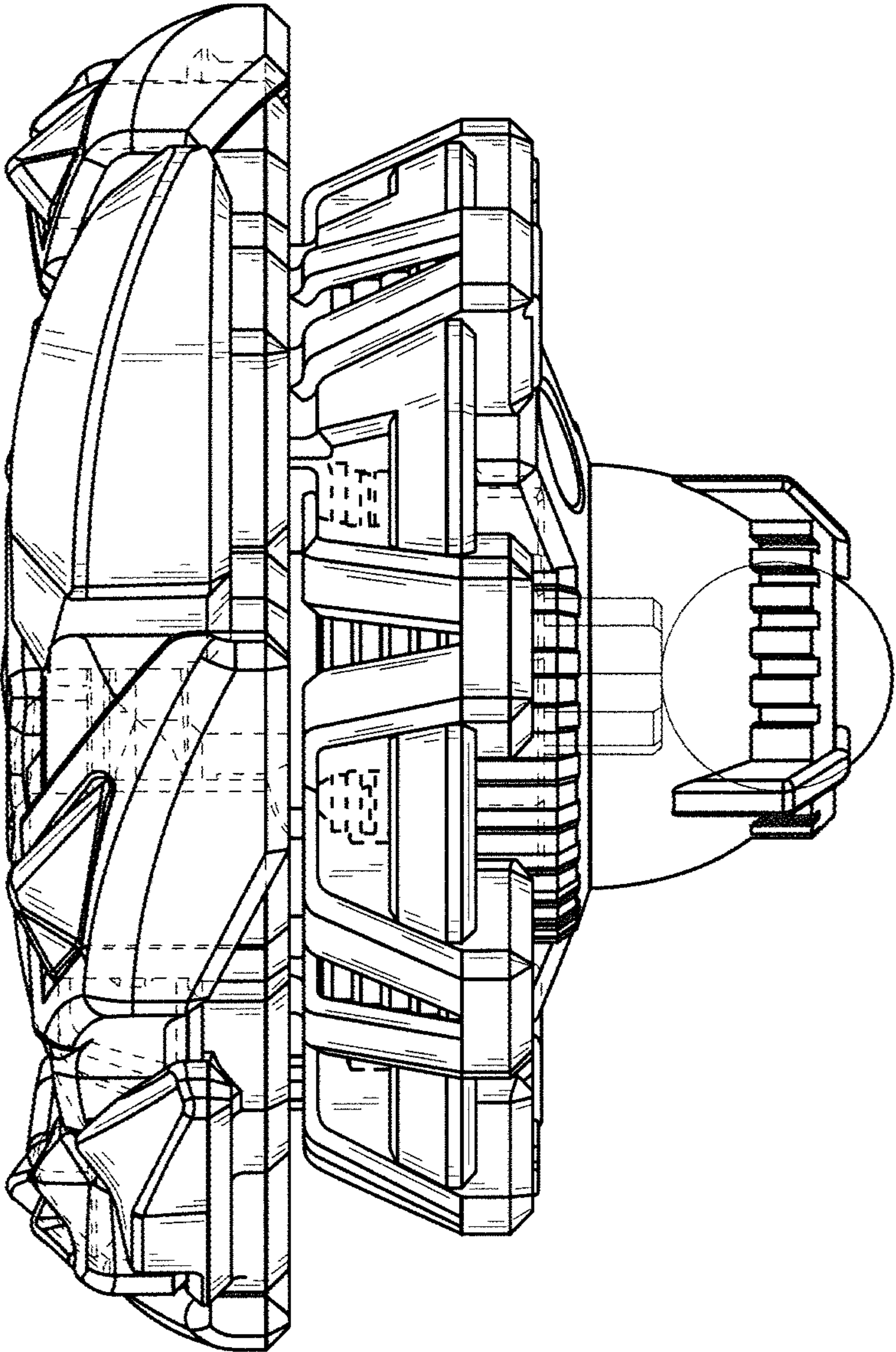


FIG. 1

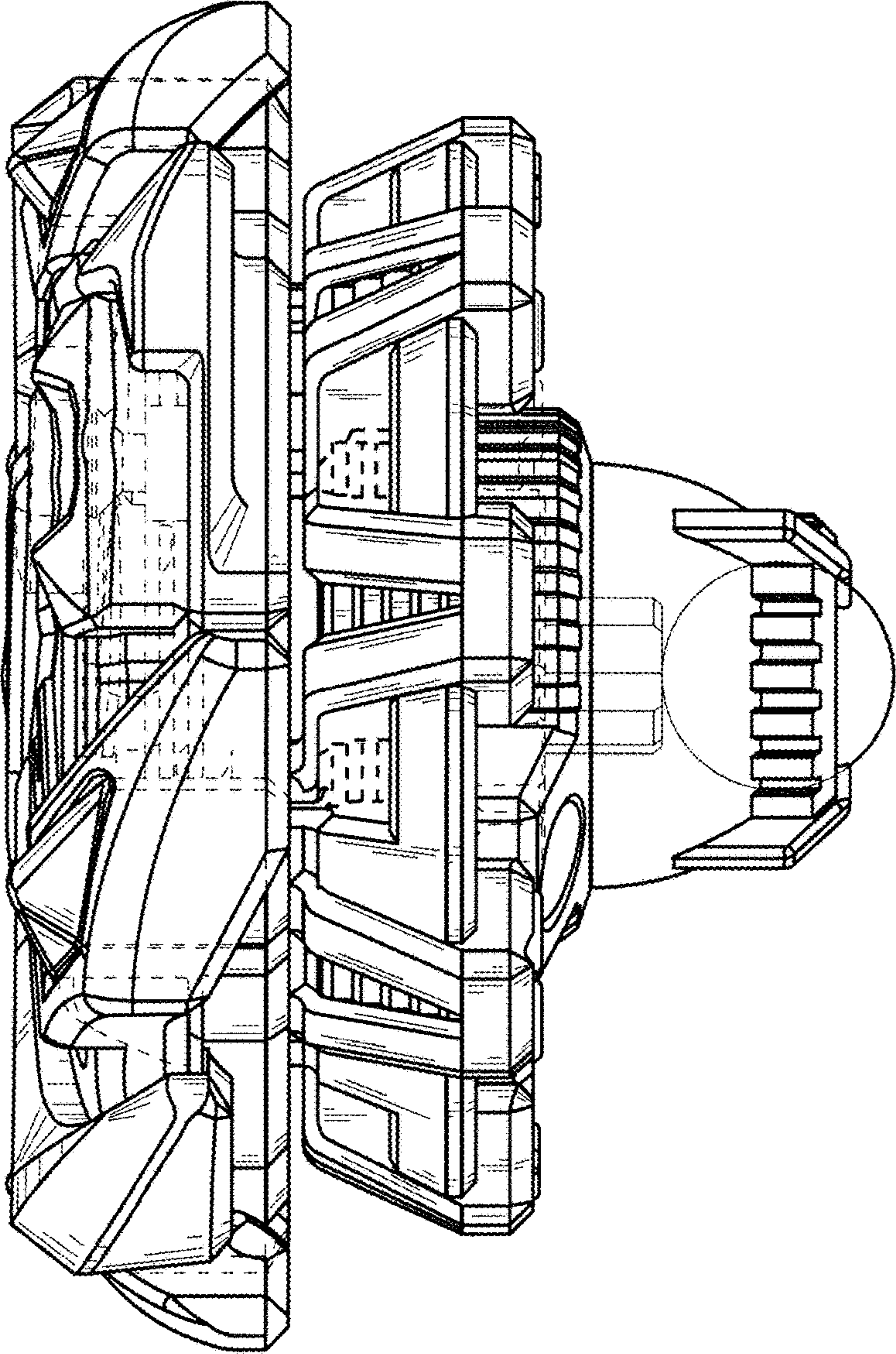


FIG. 2

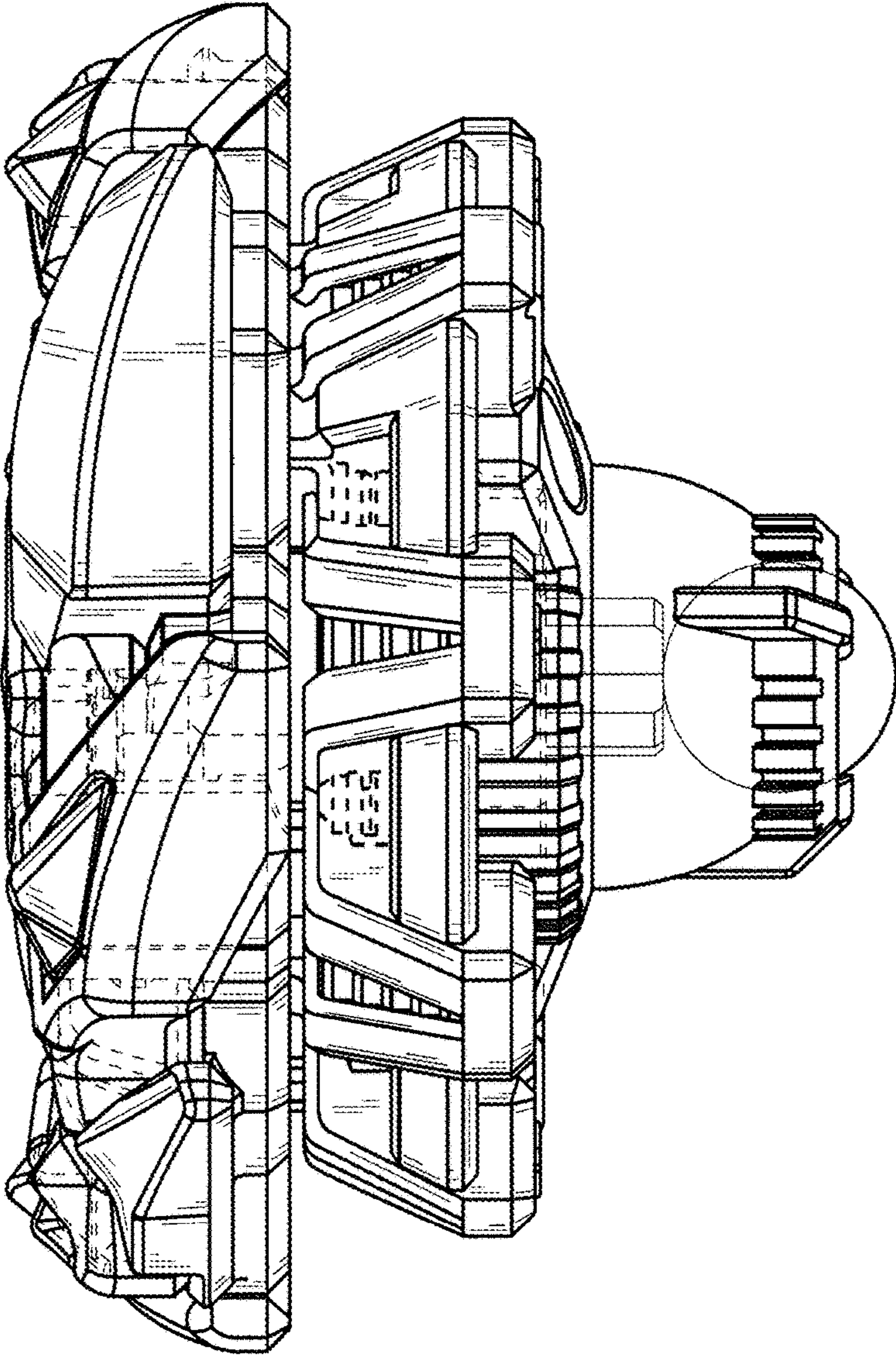


FIG. 3

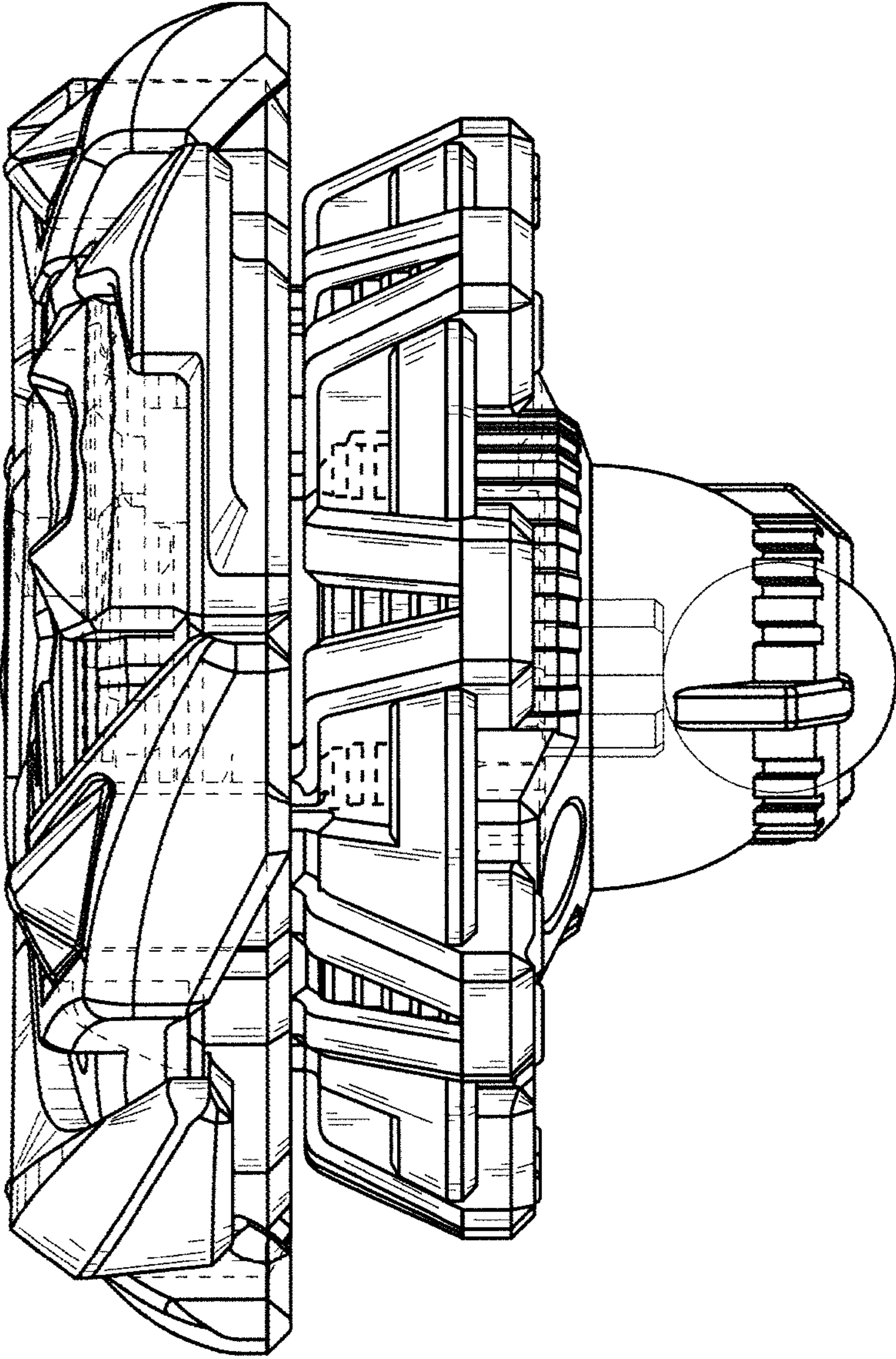


FIG. 4



FIG. 5

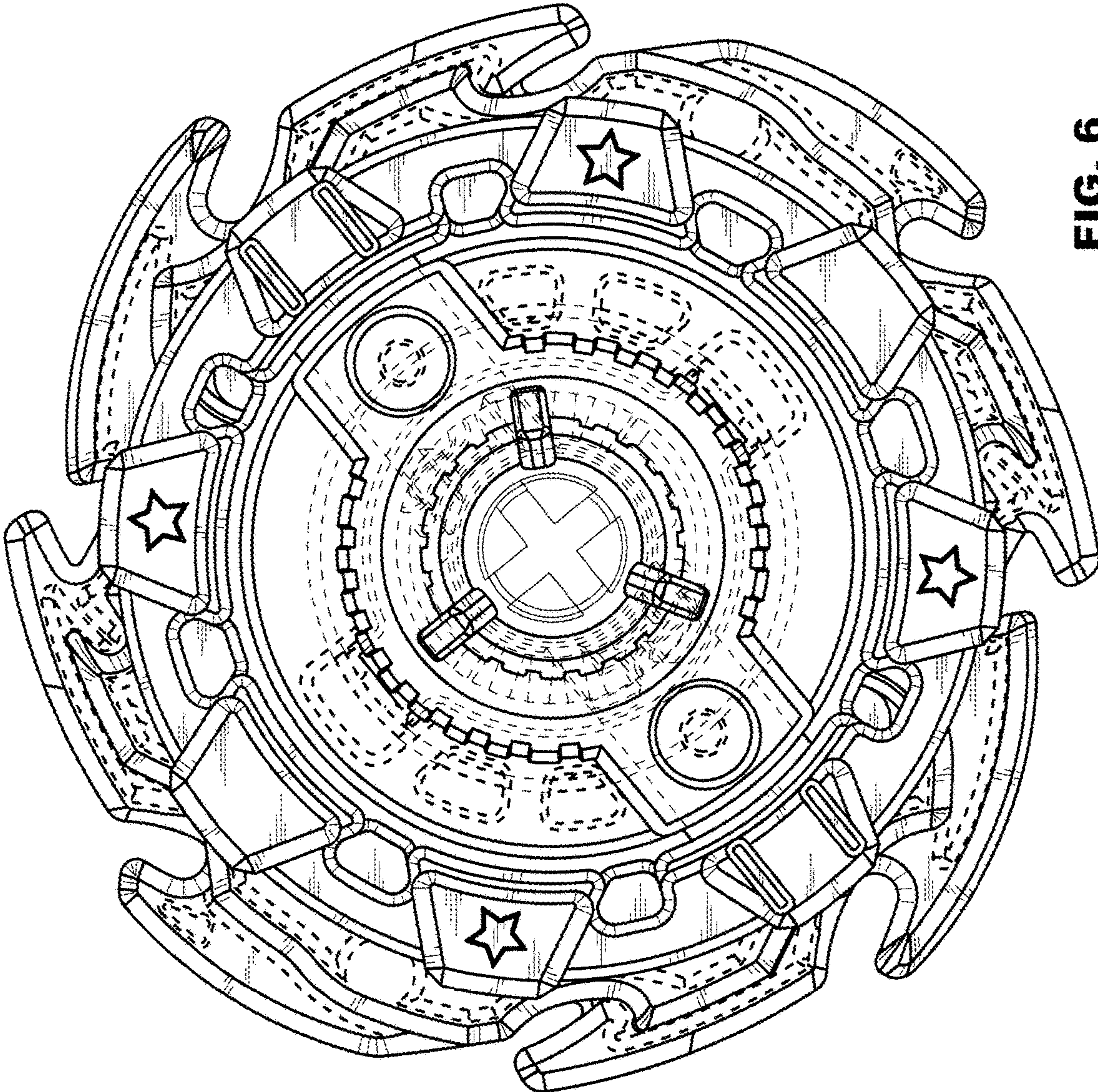


FIG. 6

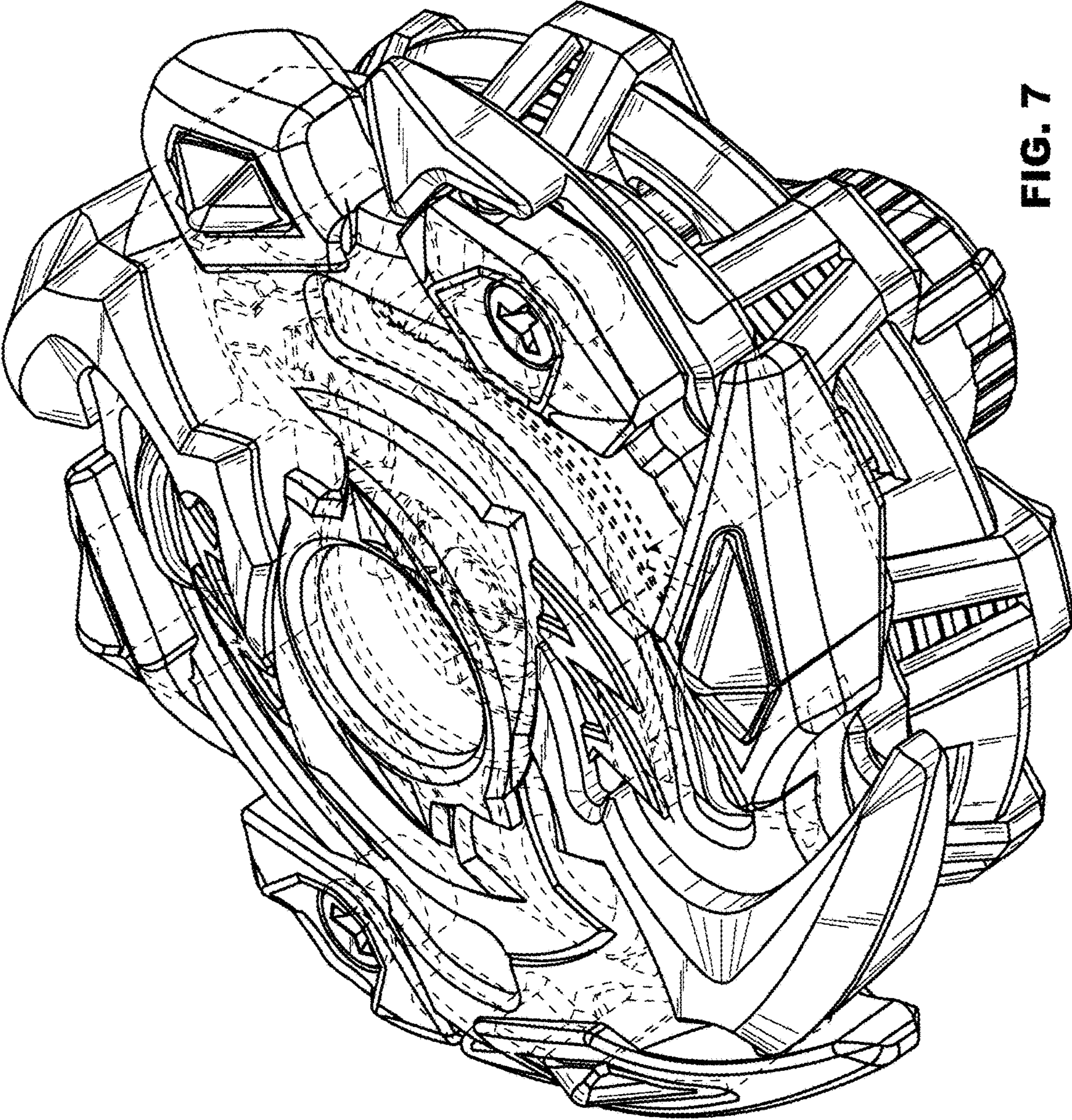


FIG. 7

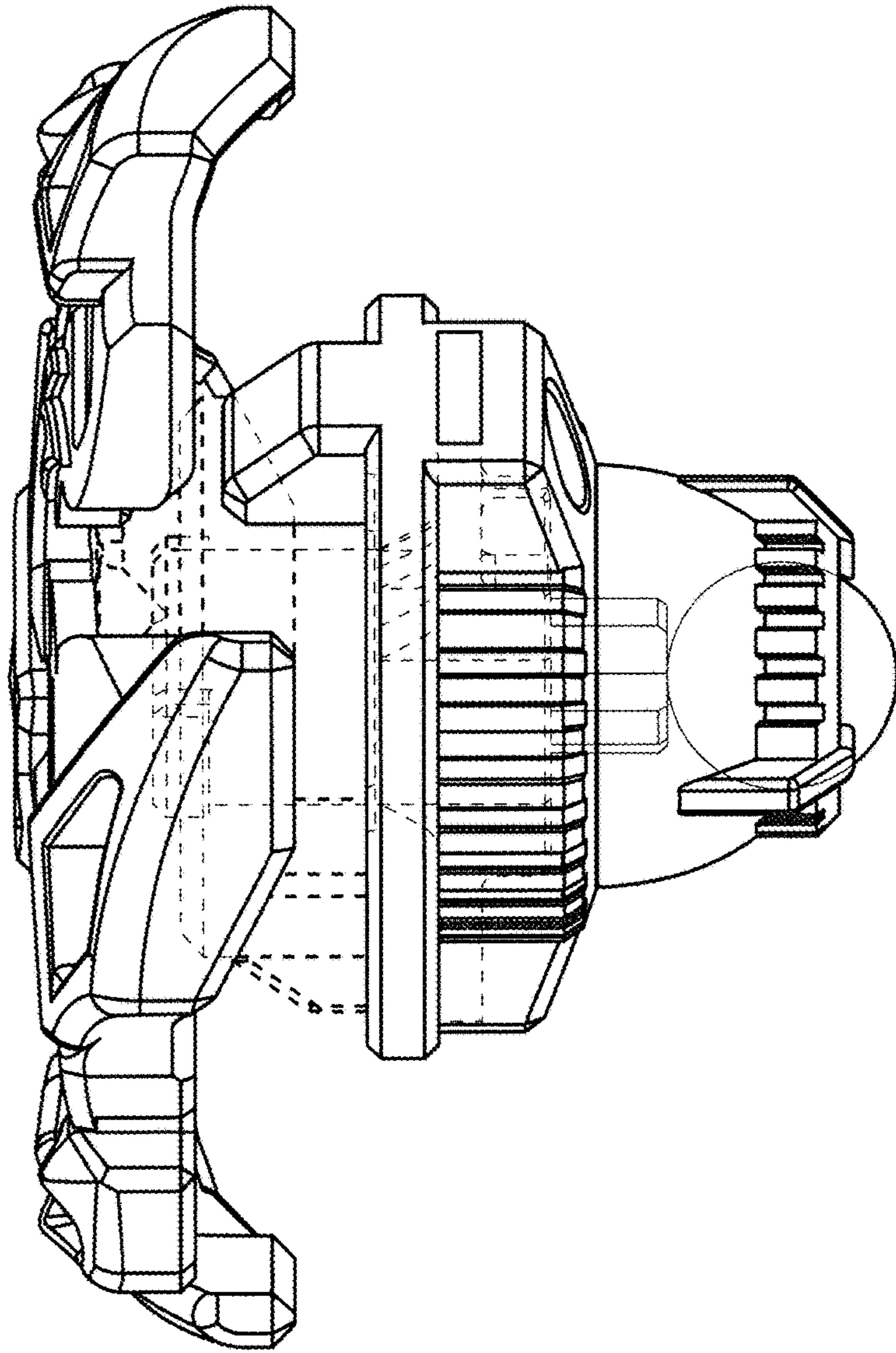


FIG. 8

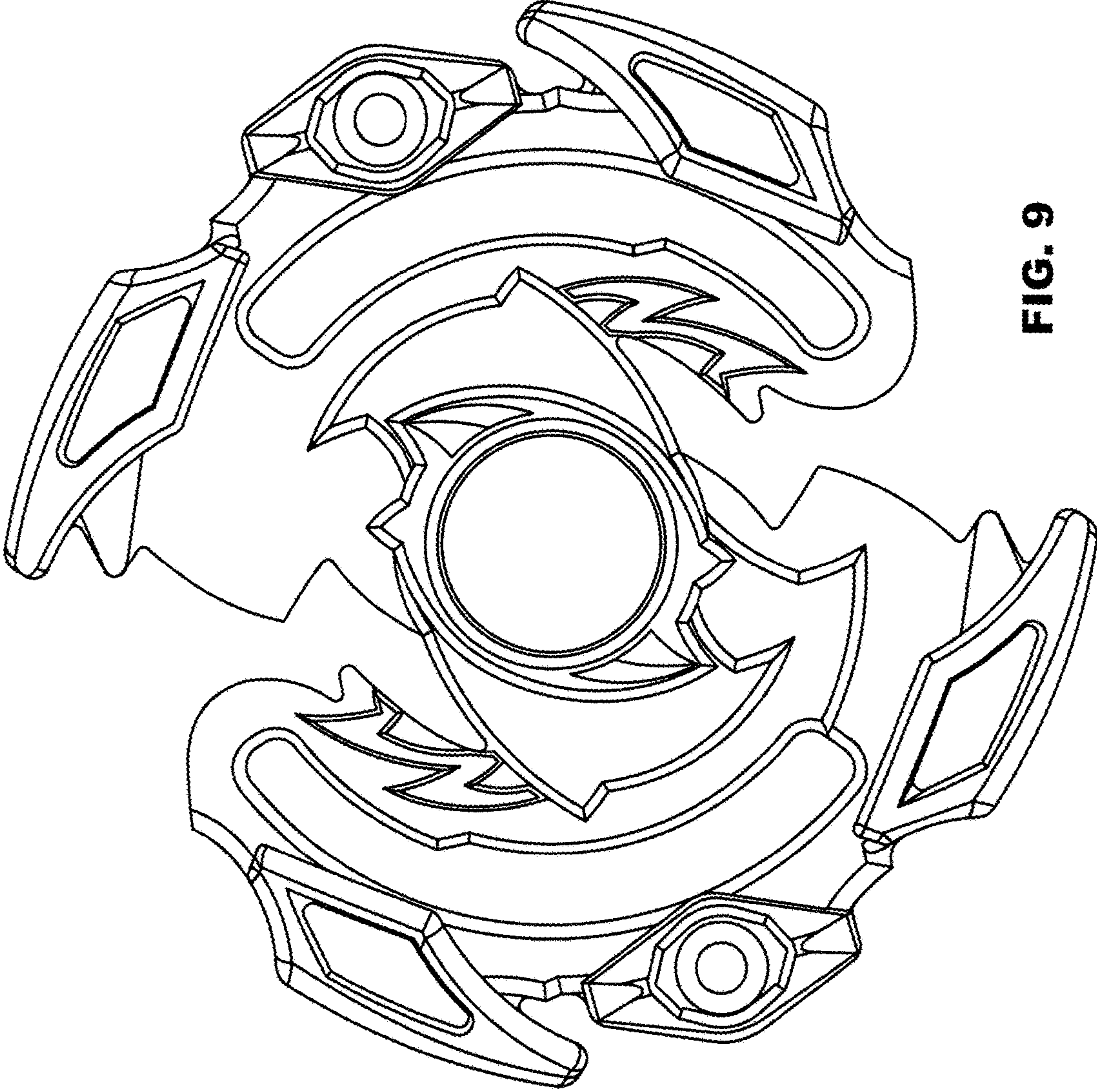


FIG. 9

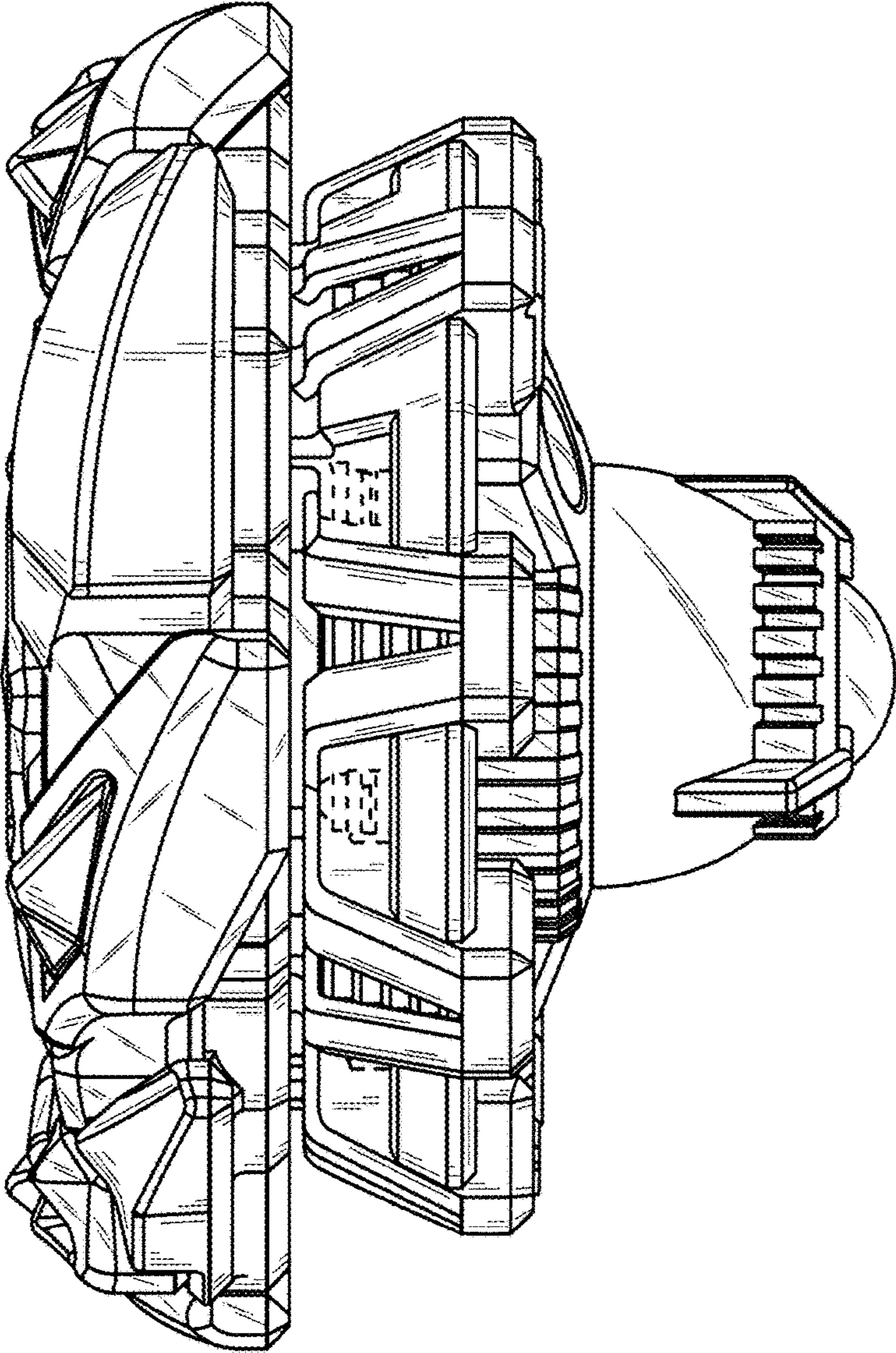


FIG. 10

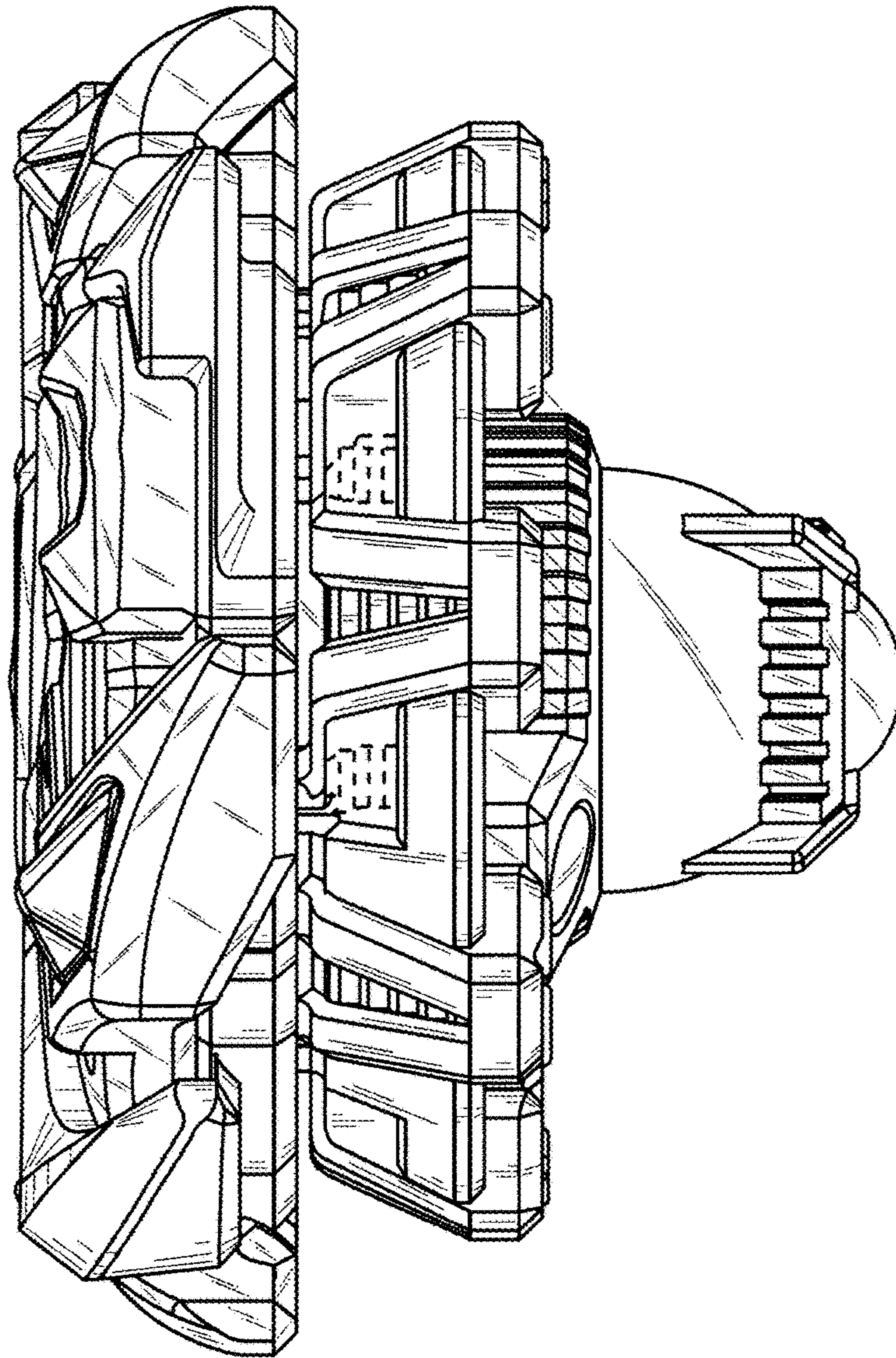


FIG. 11

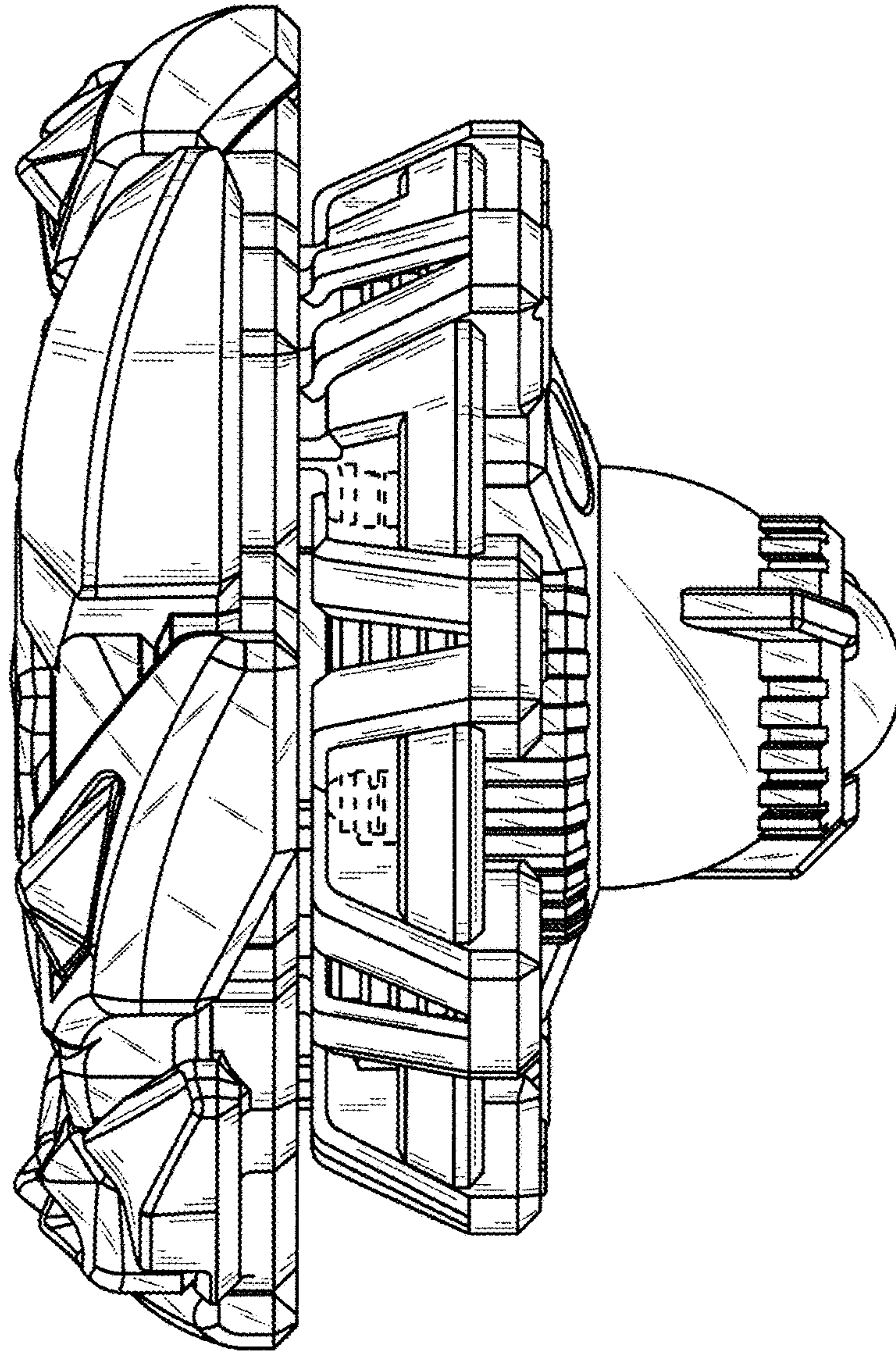


FIG. 12

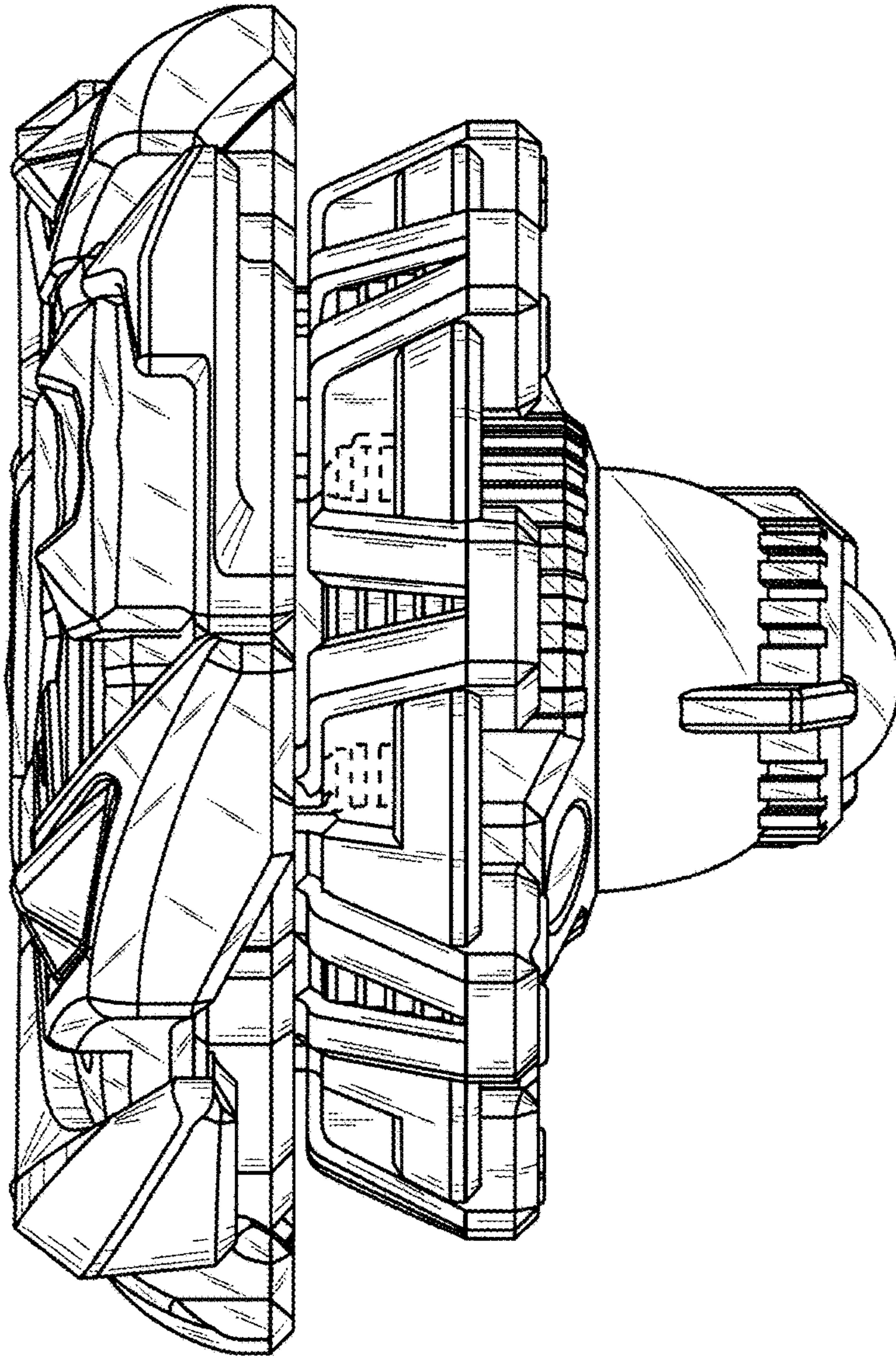


FIG. 13

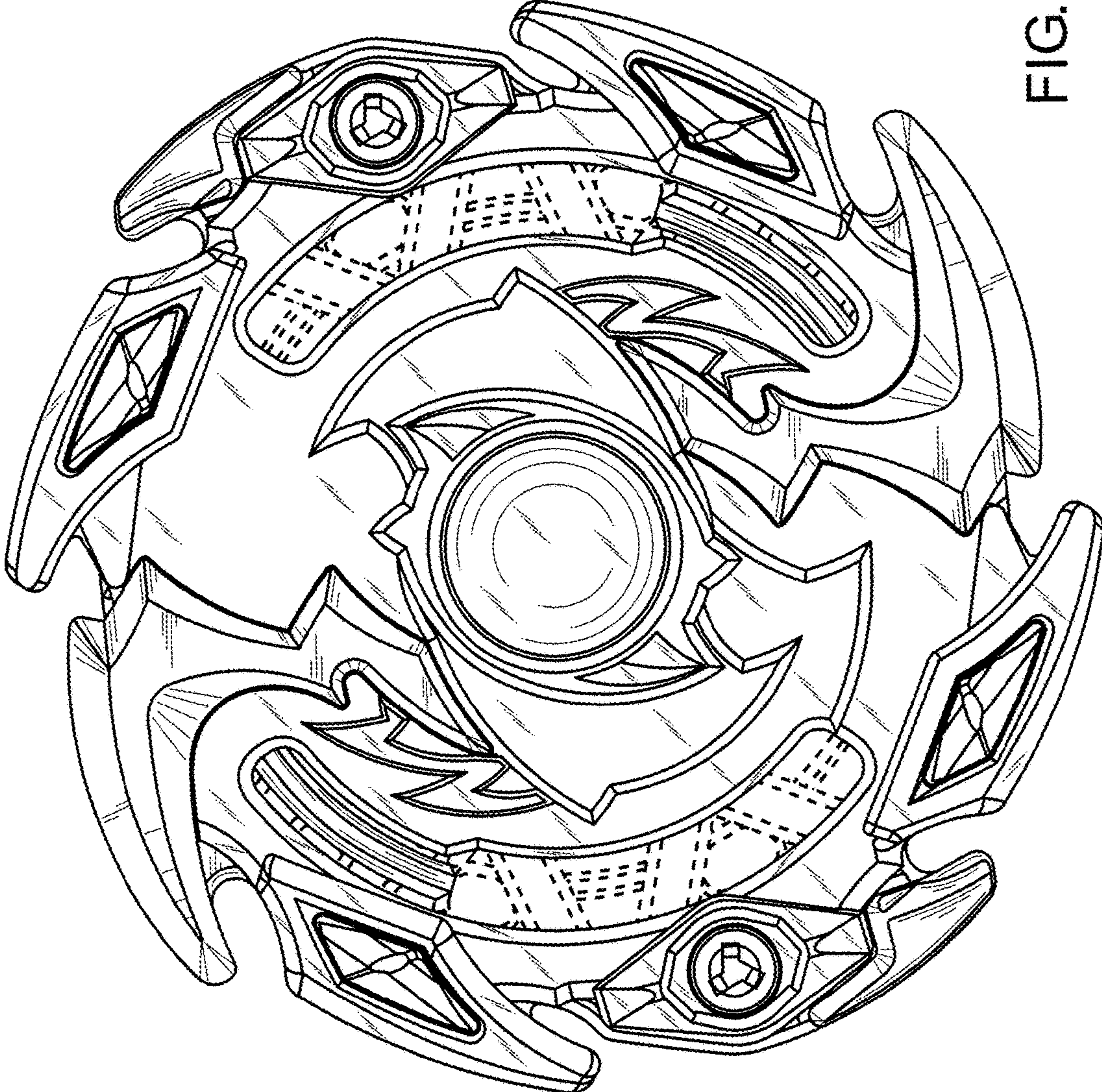


FIG.14

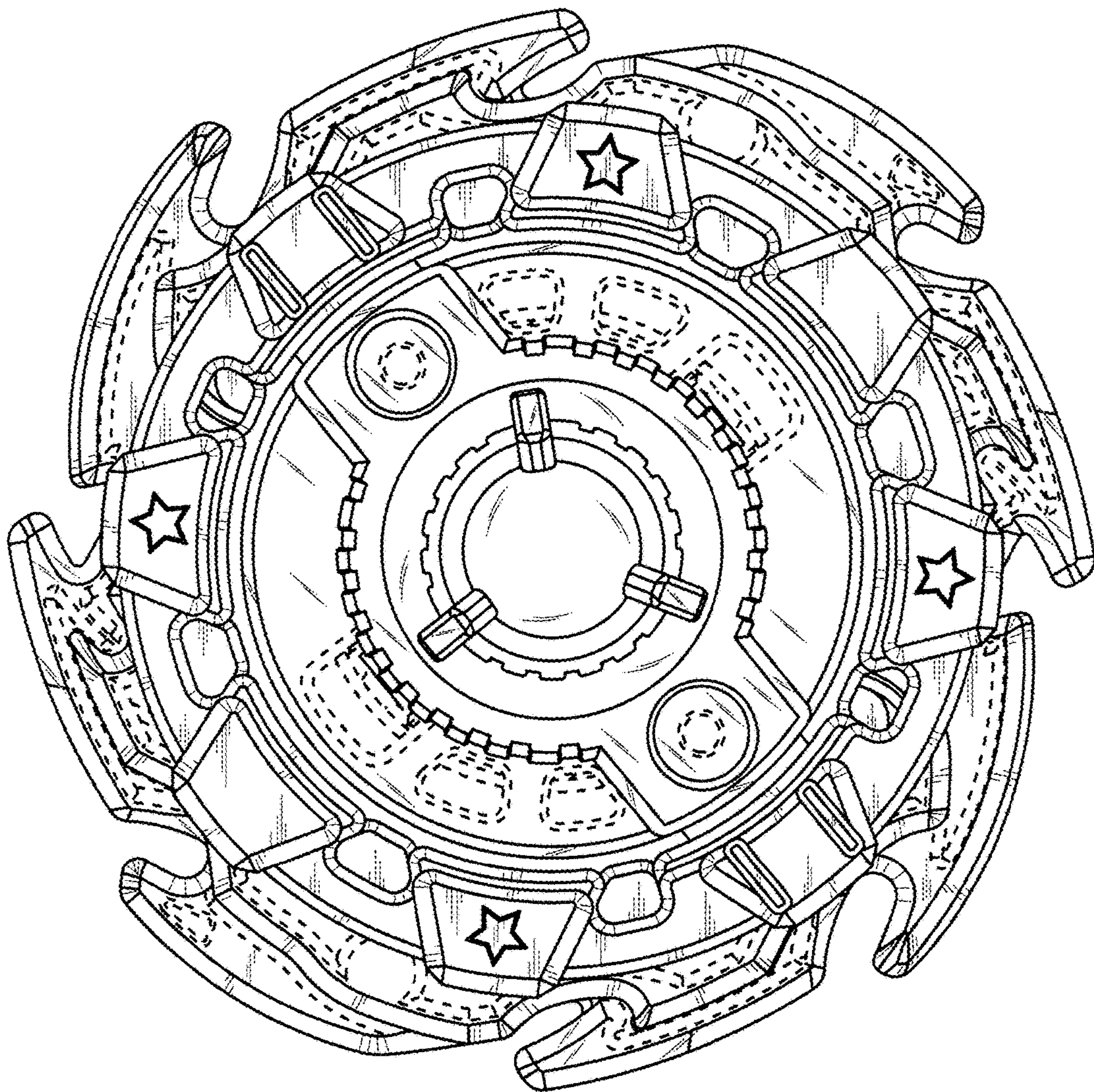


FIG. 15

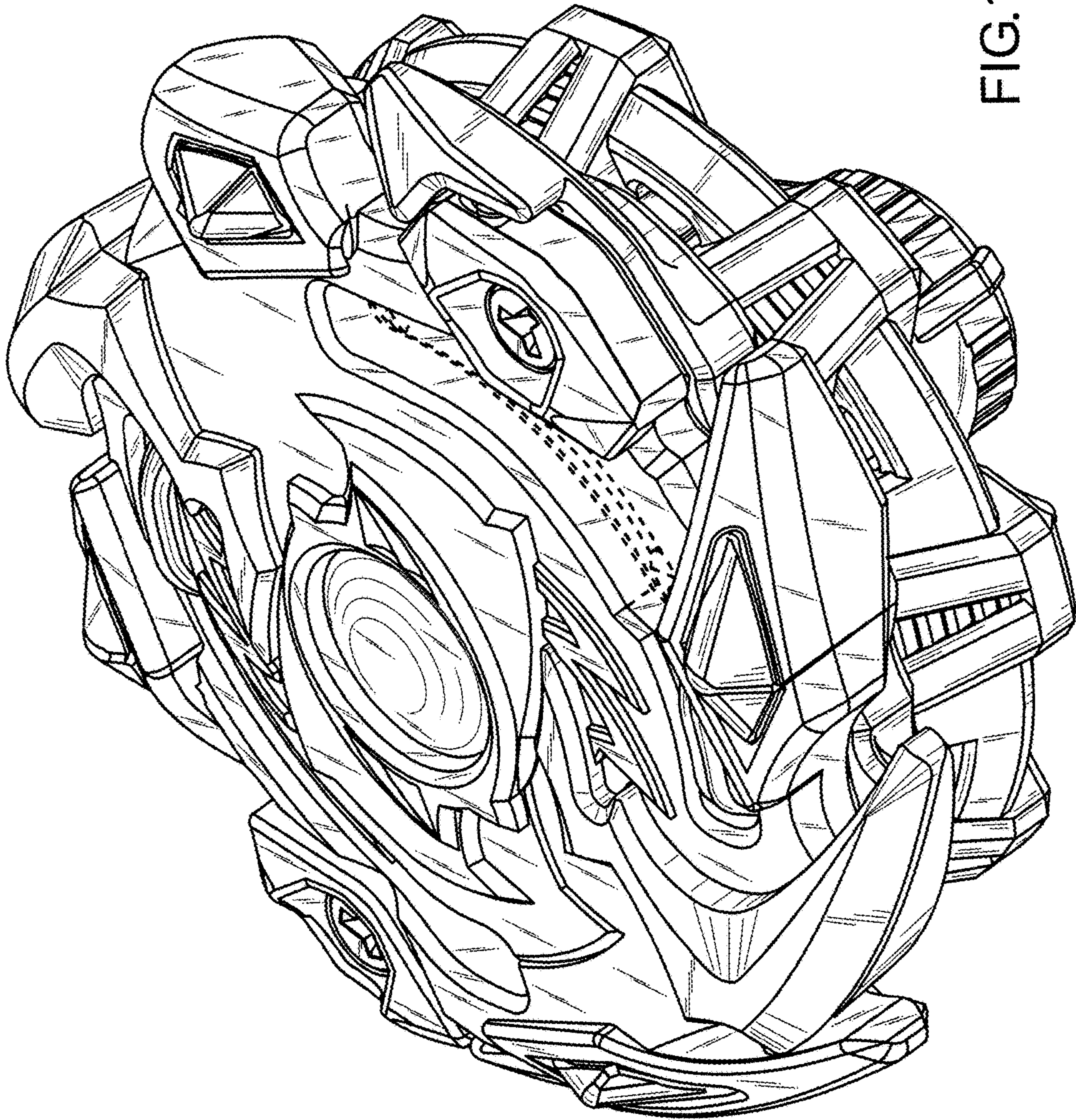


FIG.16

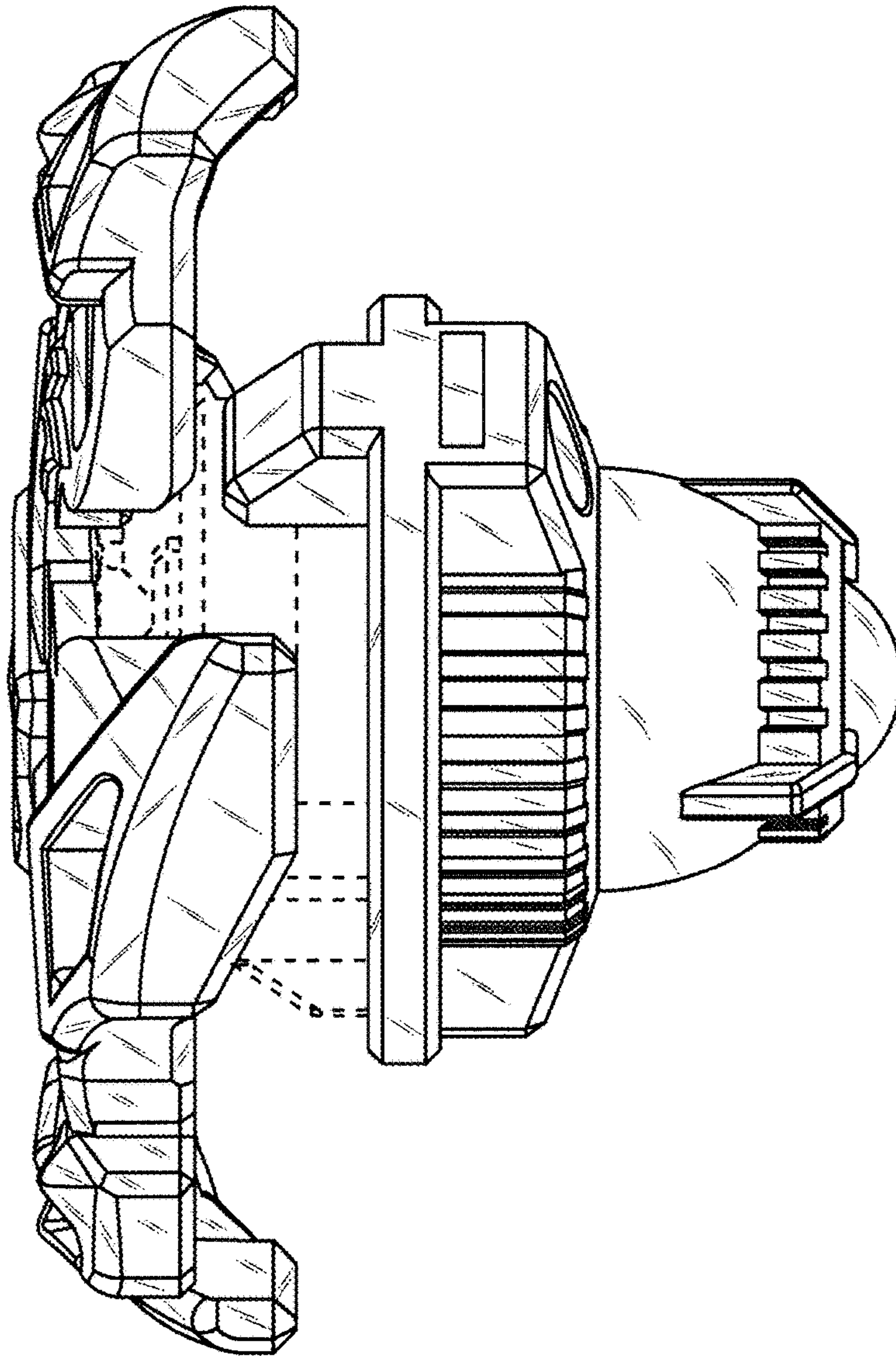


FIG. 17

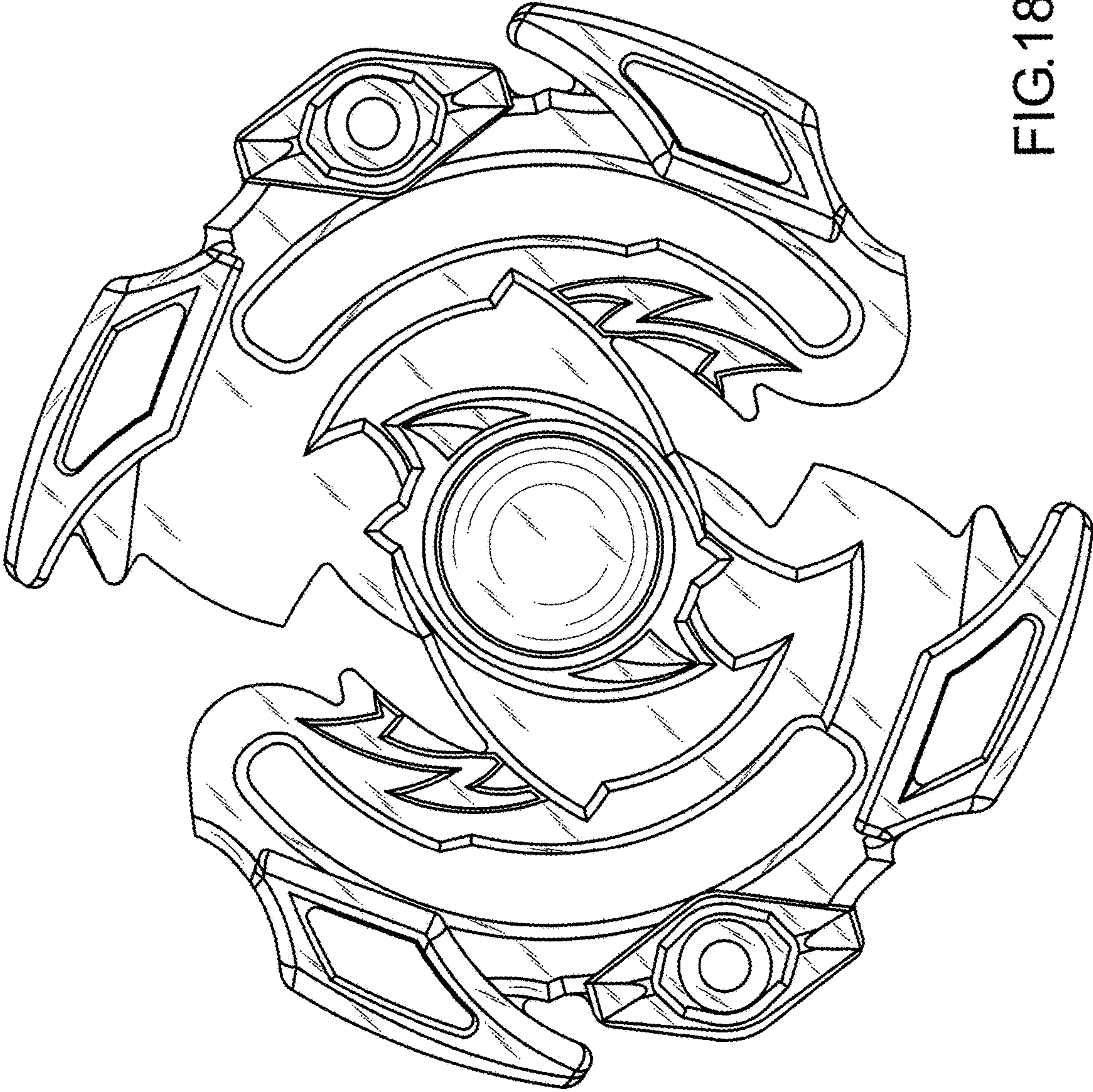


FIG.18