



US00D844063S

(12) **United States Design Patent**
Lee et al.

(10) **Patent No.:** **US D844,063 S**
(45) **Date of Patent:** **** Mar. 26, 2019**

(54) **GAMING MACHINE**

(71) Applicant: **AGS LLC**, Las Vegas, NV (US)

(72) Inventors: **Sigmund Lee**, Atlanta, GA (US); **Karl Frederick Zedell, Jr.**, Alpharetta, GA (US); **Rachel Calhoun Lewis**, Atlanta, GA (US); **Wei Gu**, Daly City, CA (US); **Ariel David Turgel**, San Francisco, CA (US); **Daniel Kendall Harden**, Palo Alto, CA (US)

(73) Assignee: **AGS LLC**, Las Vegas, NV (US)

(**) Term: **15 Years**

(21) Appl. No.: **29/631,063**

(22) Filed: **Dec. 27, 2017**

Related U.S. Application Data

(62) Division of application No. 29/540,241, filed on Sep. 22, 2015, now Pat. No. Des. 820,915.

(51) **LOC (11) Cl.** **21-03**

(52) **U.S. Cl.**
USPC **D21/369**

(58) **Field of Classification Search**
USPC D21/369, 370, 371, 385, 329, 325, 394;
463/28, 13, 11, 16, 20, 25, 31, 46, 23, 30,
463/17, 36, 29, 42, 34, 32, 35, 19, 21, 22;
273/292, 203, 138.2, 143 R, 142 R, 138.1;
D19/60; D16/226; D26/14
CPC G07F 17/32; G07F 17/34; G07F 17/3211;
G07F 17/3244; G07F 17/3267
See application file for complete search history.

(56) **References Cited**

U.S. PATENT DOCUMENTS

4,440,457 A 4/1984 Fogelman et al.
D275,117 S 8/1984 Heywood

4,844,567 A 7/1989 Chalabian
4,918,579 A 4/1990 Bennett
D307,771 S 5/1990 Cesaroni et al.
5,057,827 A 10/1991 Nobile et al.

(Continued)

OTHER PUBLICATIONS

Orion by AGS, <http://www.playags.com/portfolio/orion/>, 3 pages, Sep. 15, 2016.

(Continued)

Primary Examiner — Ryan Harvey

(74) *Attorney, Agent, or Firm* — Weide & Miller, Ltd.

(57) **CLAIM**

The ornamental design for a gaming machine, as shown and described.

DESCRIPTION

FIG. 1 is a front perspective view from above of an embodiment of the claimed design;

FIG. 2 is a front elevation view of the claimed design of FIG. 1;

FIG. 3 is a rear elevation view of the claimed design of FIG. 1;

FIG. 4 is a first side view of the claimed design of FIG. 1;

FIG. 5 is a second side view of the claimed design of FIG. 1;

FIG. 6 is a top plan view of the claimed design of FIG. 1;

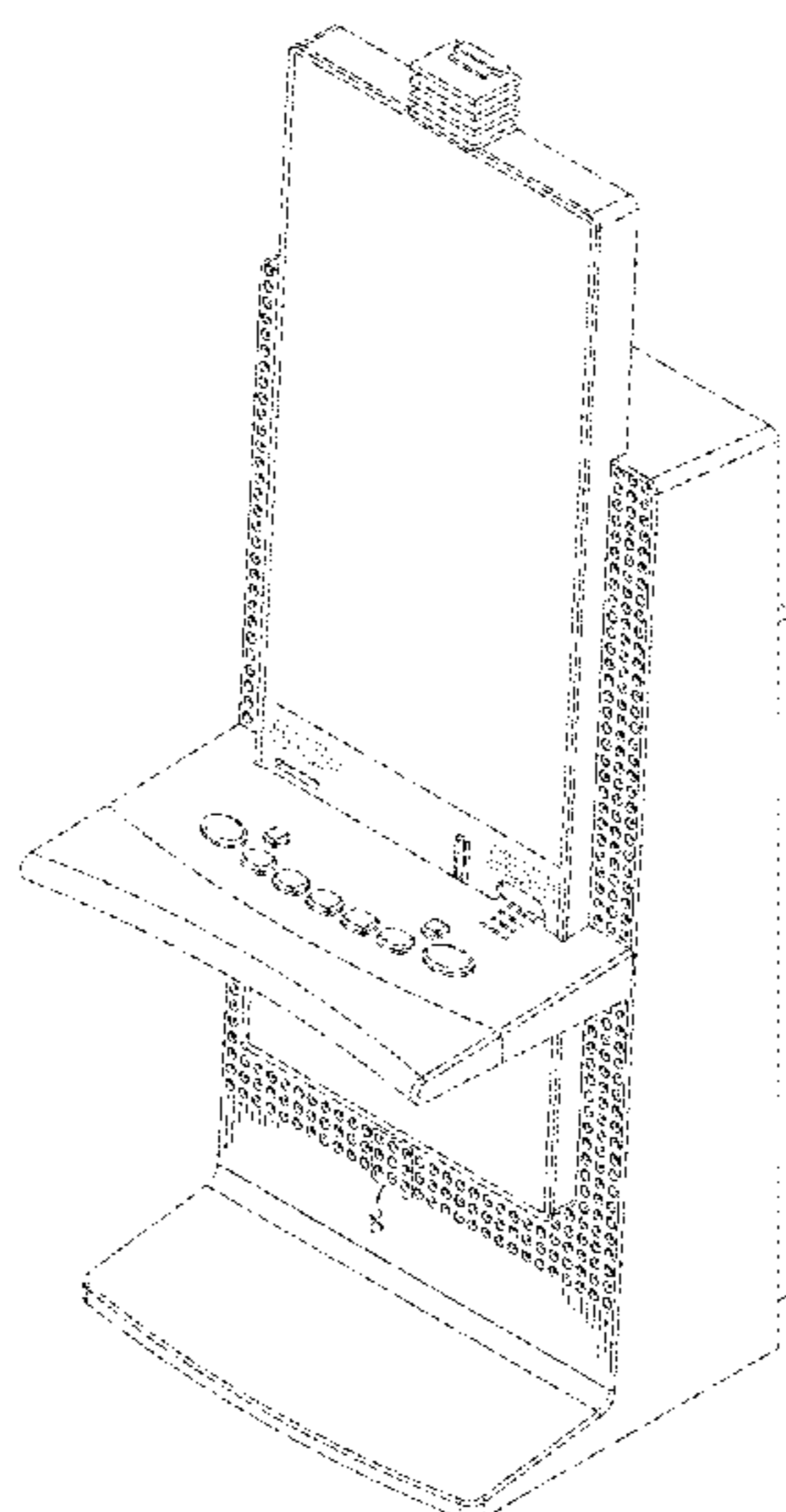
FIG. 7 is a bottom plan view of the claimed design of FIG. 1.

FIG. 8 is an enlarged view of the portion of FIG. 1 labeled FIG. 8; and,

FIG. 9 is an enlarged view of the portion of FIG. 2 labeled FIG. 9.

The broken lines showing portions of the gaming machine depicts the boundaries of the claimed design and form no part of the claim.

1 Claim, 6 Drawing Sheets



(56)

References Cited

U.S. PATENT DOCUMENTS

5,108,099	A	4/1992	Smyth	D513,044	S	12/2005	Morrison	
5,113,990	A	5/1992	Gabrius et al.	6,997,810	B2	2/2006	Cole	
D333,164	S	2/1993	Kraft et al.	7,014,563	B2	3/2006	Stephan et al.	
5,302,965	A	4/1994	Belcher et al.	D525,664	S	7/2006	Cole	
D352,330	S	11/1994	Smith	7,123,811	B1	10/2006	Chen et al.	
5,381,502	A	1/1995	Veligdan	D535,338	S	1/2007	Lindard et al.	
5,521,587	A	5/1996	Sawabe et al.	7,178,941	B2	2/2007	Roberge et al.	
D373,809	S	9/1996	Hirato	7,213,941	B2	5/2007	Sloan et al.	
5,561,346	A	10/1996	Byrne	7,237,925	B2	7/2007	Mayer et al.	
D380,014	S	6/1997	Yang	7,284,876	B2	10/2007	Ericson	
D381,697	S	7/1997	Brettschneider	D557,348	S	12/2007	Gutknecht et al.	
D381,700	S	7/1997	Brettschneider	D559,917	S	1/2008	Cole	
5,670,971	A	9/1997	Tokimoto et al.	D560,724	S	1/2008	Johnson	
D386,796	S	11/1997	Komori	D560,725	S	1/2008	Johnson	
5,695,402	A	12/1997	Stupak	7,331,694	B2	2/2008	Lee et al.	
5,813,914	A	9/1998	McKay et al.	D563,481	S	3/2008	Looks et al.	
5,818,401	A	10/1998	Wang	D564,601	S	3/2008	Strahinic et al.	
5,826,882	A	10/1998	Ward	7,339,782	B1	3/2008	Landes et al.	
5,836,819	A	11/1998	Ugawa	D566,197	S	4/2008	Greenberg et al.	
D407,758	S	4/1999	Isetani et al.	7,355,573	B2	4/2008	Ogawa	
D410,039	S	5/1999	McClellan	7,364,505	B2	4/2008	Mattice et al.	
D413,635	S	9/1999	Taylor	7,367,145	B2	5/2008	Mou	
D421,631	S	3/2000	Tsuda	7,367,685	B2	5/2008	Moll	
D424,122	S	5/2000	Dickenson et al.	7,390,257	B2	6/2008	Paulsen et al.	
6,068,101	A	5/2000	Dickenson et al.	D573,200	S	7/2008	Hashimoto et al.	
D428,062	S	7/2000	Hayashi	7,397,387	B2	7/2008	Suzuki et al.	
6,095,526	A	8/2000	Cook, II	7,423,864	B2	9/2008	Kim et al.	
6,135,884	A	10/2000	Hedrick et al.	7,442,125	B2	10/2008	Paulsen et al.	
6,164,645	A	12/2000	Weiss	7,476,154	B2	1/2009	Kogo et al.	
D436,380	S	1/2001	Brettschneider	D586,866	S	2/2009	Hsu	
6,176,584	B1	1/2001	Best et al.	7,506,463	B2	3/2009	Holst	
6,183,109	B1	2/2001	Nelson et al.	7,506,997	B1	3/2009	Eriksson	
6,186,645	B1	2/2001	Camarota	7,513,830	B2	4/2009	Hajder et al.	
6,201,703	B1	3/2001	Yamada et al.	D592,053	S	5/2009	Suzuki	
D439,931	S	4/2001	Yamaguchi	D592,709	S	5/2009	McComb et al.	
D442,640	S	5/2001	Hayashi	D599,859	S	9/2009	Lesley et al.	
6,265,984	B1	7/2001	Molinaroli	D602,772	S	10/2009	Suzuki et al.	
D446,252	S	8/2001	Yamaguchi	D603,909	S	11/2009	De Viveiros Ortiz	
D447,052	S	8/2001	Goserud	D604,368	S	11/2009	Lesley et al.	
6,278,419	B1	8/2001	Malkin	D605,231	S	12/2009	Hashimoto et al.	
6,283,608	B1	9/2001	Straat	7,641,554	B2	1/2010	Paulsen et al.	
6,319,125	B1	11/2001	Acres	7,654,899	B2	2/2010	Durham et al.	
6,332,690	B1	12/2001	Murofushi	7,667,891	B2	2/2010	Cok et al.	
6,334,612	B1	1/2002	Wurz et al.	D615,598	S	5/2010	McComb et al.	
D456,750	S	5/2002	McWilliams et al.	7,708,640	B2	5/2010	Burak et al.	
D459,402	S	6/2002	Wurz et al.	D619,177	S	7/2010	Lee	
D460,915	S	7/2002	Lynch	D619,660	S	7/2010	Cole et al.	
6,443,837	B1	9/2002	Jaffe et al.	7,803,053	B2	9/2010	Atkinson	
D464,377	S	10/2002	Wurz et al.	D626,182	S	10/2010	Cole et al.	
D466,160	S	11/2002	Hirato et al.	D626,183	S	10/2010	Cole et al.	
6,475,087	B1	11/2002	Cole	7,826,006	B2	11/2010	Koganezawa	
D471,594	S	3/2003	Nojo	7,828,461	B2	11/2010	Mayer et al.	
6,577,286	B1	6/2003	Jang	7,833,102	B2	11/2010	Beadell et al.	
6,578,847	B1	6/2003	Hendrick et al.	D633,950	S	3/2011	Terpstra et al.	
6,579,174	B1	6/2003	Lane et al.	7,927,218	B2	4/2011	Kopera et al.	
6,592,238	B2	7/2003	Cleaver et al.	7,966,485	B2	6/2011	Chen et al.	
D481,078	S	10/2003	Stephan	D646,336	S	10/2011	Kelly et al.	
6,641,484	B2	11/2003	Oles et al.	D649,605	S	11/2011	Terpstra et al.	
6,682,418	B1	1/2004	Mendes et al.	8,054,243	B2	11/2011	Sokolov et al.	
6,702,409	B2	3/2004	Hedrick et al.	8,075,385	B2	12/2011	Jackson	
D489,417	S	5/2004	Munoz et al.	8,241,124	B2	8/2012	Kelly et al.	
6,776,504	B2	8/2004	Sloan et al.	8,272,957	B2	9/2012	Crowder, Jr. et al.	
D495,754	S	9/2004	Wurz et al.	D671,425	S	11/2012	Huljak et al.	
D495,755	S	9/2004	Wurz et al.	D673,619	S	* 1/2013	Seelig D21/369	
D496,407	S	9/2004	Gadda et al.	D673,620	S	* 1/2013	Johnson D21/369	
D498,267	S	11/2004	Crouch	D673,621	S	* 1/2013	Johnson D21/369	
D499,019	S	11/2004	Sagmeister et al.	D677,736	S	3/2013	Dorn et al.	
6,834,979	B1	12/2004	Cleaver et al.	D678,761	S	3/2013	Cooper	
6,860,814	B2	3/2005	Cole	8,430,756	B2	4/2013	McComb et al.	
6,897,624	B2	5/2005	Lys et al.	D684,216	S	6/2013	Terpstra et al.	
6,899,626	B1	5/2005	Luciano et al.	D684,637	S	6/2013	Shelley et al.	
6,906,860	B2	6/2005	Starkweather	D685,033	S	6/2013	Wudtke	
D508,268	S	8/2005	Hanchar et al.	D685,435	S	7/2013	Hohman et al.	
D508,961	S	8/2005	Gatto et al.	8,550,913	B2	10/2013	Kelly et al.	
6,948,829	B2	9/2005	Verdes et al.	D696,109	S	12/2013	Wilker	
				D697,558	S	1/2014	Myers et al.	
				8,651,963	B1	2/2014	Thompson	
				D701,114	S	3/2014	Baumwald et al.	
				D705,872	S	5/2014	Ortiz	

(56)

References Cited

U.S. PATENT DOCUMENTS

D706,741 S 6/2014 Myers
 D707,646 S 6/2014 Kim et al.
 D708,676 S 7/2014 Ballman et al.
 8,814,707 B2 8/2014 Slattery
 D712,975 S 9/2014 Lesley et al.
 8,827,819 B2 9/2014 Thompson
 D714,875 S 10/2014 Wudtke et al.
 D715,364 S 10/2014 Wudtke et al.
 8,851,989 B2* 10/2014 Rosander G07F 17/3216
 463/31
 D719,615 S 12/2014 Inoue et al.
 D719,616 S 12/2014 Inoue et al.
 D720,211 S 12/2014 Brown et al.
 D723,022 S 2/2015 Miles
 D723,626 S* 3/2015 Vasquez D21/370
 8,974,297 B2 3/2015 Massing et al.
 D727,431 S 4/2015 Themann
 D732,520 S 6/2015 Themann
 D733,088 S* 6/2015 Garneau D14/172
 9,064,372 B2 6/2015 Rasmussen et al.
 D740,887 S 10/2015 Randazzo
 D740,888 S 10/2015 DePalma et al.
 D742,974 S 11/2015 Lesley
 D745,093 S 12/2015 Weiss et al.
 D756,236 S 5/2016 DePaz et al.
 D762,613 S* 8/2016 Garneau D14/172
 D763,361 S* 8/2016 Rosander D21/370
 RE46,169 E 10/2016 Kelly et al.
 D770,090 S 10/2016 Zahr et al.
 9,478,097 B2 10/2016 Hennessy et al.
 9,504,919 B2 11/2016 Taylor et al.
 D776,801 S 1/2017 Tamura et al.
 9,573,050 B2 2/2017 Thompson et al.
 9,679,435 B2 6/2017 Schrementi et al.
 9,711,001 B2 7/2017 Zedell, Jr. et al.
 9,745,107 B2 8/2017 Zahr et al.
 D798,389 S 9/2017 Weiss et al.
 D801,437 S 10/2017 Hohman
 D812,146 S 3/2018 Castro et al.
 D812,147 S 3/2018 Castro et al.
 D812,148 S 3/2018 Castro et al.
 D812,149 S 3/2018 Castro et al.
 D813,954 S* 3/2018 Calhoun D21/369
 2003/0064814 A1 4/2003 Stephan et al.
 2004/0001335 A1 1/2004 Wu
 2004/0053663 A1 3/2004 Paulsen et al.
 2004/0053699 A1 3/2004 Rasmussen et al.
 2004/0224776 A1 11/2004 Nagano
 2004/0229698 A1 11/2004 Lind et al.
 2005/0059486 A1 3/2005 Kaminkow
 2005/0130746 A1 6/2005 Stephenson, III et al.
 2005/0215325 A1 9/2005 Nguyen et al.
 2005/0261057 A1 11/2005 Bleich et al.
 2006/0030412 A1 2/2006 Cole
 2006/0073900 A1 4/2006 Cole
 2006/0094511 A1 5/2006 Roireau
 2006/0100013 A1 5/2006 Enzminger
 2006/0131810 A1 6/2006 Nicely
 2006/0183552 A1 8/2006 DiMichele
 2006/0205498 A1 9/2006 Kogo et al.
 2007/0010318 A1 1/2007 Rigsby et al.
 2007/0035965 A1 2/2007 Holst
 2007/0060387 A1 3/2007 Enzminger et al.
 2007/0149291 A1 6/2007 Mitchell
 2007/0159820 A1 7/2007 Crandell et al.
 2007/0171640 A1 7/2007 Sloan et al.
 2007/0197301 A1 8/2007 Cole
 2007/0225079 A1 9/2007 Cole
 2007/0287527 A1 12/2007 Tanabe et al.
 2007/0287528 A1 12/2007 Hirato et al.
 2007/0287544 A1 12/2007 Hirato et al.
 2008/0020838 A1 1/2008 Slattery
 2008/0076553 A1 3/2008 Paulsen et al.
 2008/0113794 A1* 5/2008 Cole G07F 17/32
 463/31

2008/0119288 A1 5/2008 Rasmussen
 2008/0186415 A1 8/2008 Boud et al.
 2008/0194313 A1 8/2008 Walker
 2008/0227522 A1 9/2008 Toyoda
 2008/0248852 A1 10/2008 Rasmussen
 2008/0268949 A1 10/2008 Dell
 2009/0011839 A1 1/2009 Cole
 2009/0036208 A1 2/2009 Pennington et al.
 2009/0045723 A1 2/2009 Ishikawa
 2009/0179597 A1 7/2009 Salmon
 2009/0247261 A1 10/2009 Koami
 2009/0275389 A1 11/2009 Englman et al.
 2010/0016084 A1 1/2010 Bleich et al.
 2010/0020546 A1 1/2010 Kukita
 2010/0120518 A1 5/2010 Borissov et al.
 2010/0120541 A1 5/2010 Lesley
 2010/0137060 A1 6/2010 Cole
 2011/0118034 A1 5/2011 Jaffe et al.
 2011/0136573 A1 6/2011 McComb et al.
 2011/0195775 A1 8/2011 Wells
 2011/0319152 A1 12/2011 Ross et al.
 2012/0178523 A1 7/2012 Greenberg et al.
 2013/0084948 A1* 4/2013 Watkins G07F 17/3276
 463/23
 2014/0132891 A1 5/2014 Tohyama et al.
 2014/0206432 A1 7/2014 Radek et al.
 2014/0250409 A1 9/2014 Shah et al.
 2014/0256409 A1 9/2014 Wood et al.
 2014/0268876 A1 9/2014 Lee et al.
 2014/0323212 A1 10/2014 Thompson et al.
 2015/0141113 A1 5/2015 Melnick et al.
 2015/0269810 A1 9/2015 Wolf et al.
 2015/0336005 A1 11/2015 Melnick et al.
 2017/0178443 A1 6/2017 Calhoun et al.
 2017/0178444 A1 6/2017 Lee et al.
 2018/0078854 A1 3/2018 Achmueller et al.
 2018/0082523 A1* 3/2018 Palermo G07F 17/3216

OTHER PUBLICATIONS

AGS LLC; Exhibit 22 to Response to Office Action filed Jul. 27, 2018 with the U.S. Patent and Trademark Office in U.S. Appl. No. 87/620,830; 24 pages.
 Icon by AGS, <http://www.playags.com/portfolio/icon/>, 3 pages, Feb. 23, 2016.
 Non-Published Design U.S. Appl. No. 29/540,396, filed Sep. 24, 2015, titled Game Tower.
 Non-Published U.S. Appl. No. 12/947,695, filed Nov. 16, 2010, titled Edge Lighted Gaming Panels for Electronic Gaming Device.
 Genesis DV1 Cabinets by Cadillac Jack, circa 2010.
 Infinity Super Skybox by Incredible Technologies, <https://gaming.itsgames.com/cabinets/infinity-super-skybox>, Aug. 11, 2016.
 Super Sky Wheel Slot Makes World Premiere at Borgata—Borgata Blog, <http://blog.theborgata.com/2016/06/16/super-sky-wheel-slot-makes-world-premiere-at-borgata/>, Jun. 16, 2016.
 Aristocrat Brings the Game Forward With Advanced New Helix Slant Cabinet, Market Wired, <http://www.marketwired.com/press-release/aristocrat-brings-the-game-forward-with-advanced-new-helix-slant-cabinet-asx-all-1904223.htm>, Apr. 29, 2014.
 Helix+ by Aristocrat, 2016.
 Helix Upright by Aristocrat, 2014.
 B.Pod by Bluberi, <https://www.bluberi.com/bluberi-bpod/>, Accessed Feb. 27, 2018.
 Bluberi Set to Reveal Dramatic New Product Line-Up at G2E 2017, Press Release, Soloazar, <http://www.soloazar.com/international/noticia/19870-Bluberi-Set-to-Reveal-Dramatic-New-Product-Line-Up-at-G2E-2017>, Sep. 15, 2017.
 Bluebird Slant Widescreen literature from www.wms.com/technologyandinnovation_cabinets_widescreen.php dated May 19, 2009, showing a giuning machine cabinet that was sold and/or publicly disclosed at least as early as Dec. 13, 2008.
 Spec International, Inc., GEN-311 gaming machine cabinet, publicly disclosed at least as early as Dec. 13, 2008.

(56)

References Cited

OTHER PUBLICATIONS

International Search Report and Written Opinion for PCT/US16/
66904 dated Apr. 25, 2017, 13 pages.

* cited by examiner

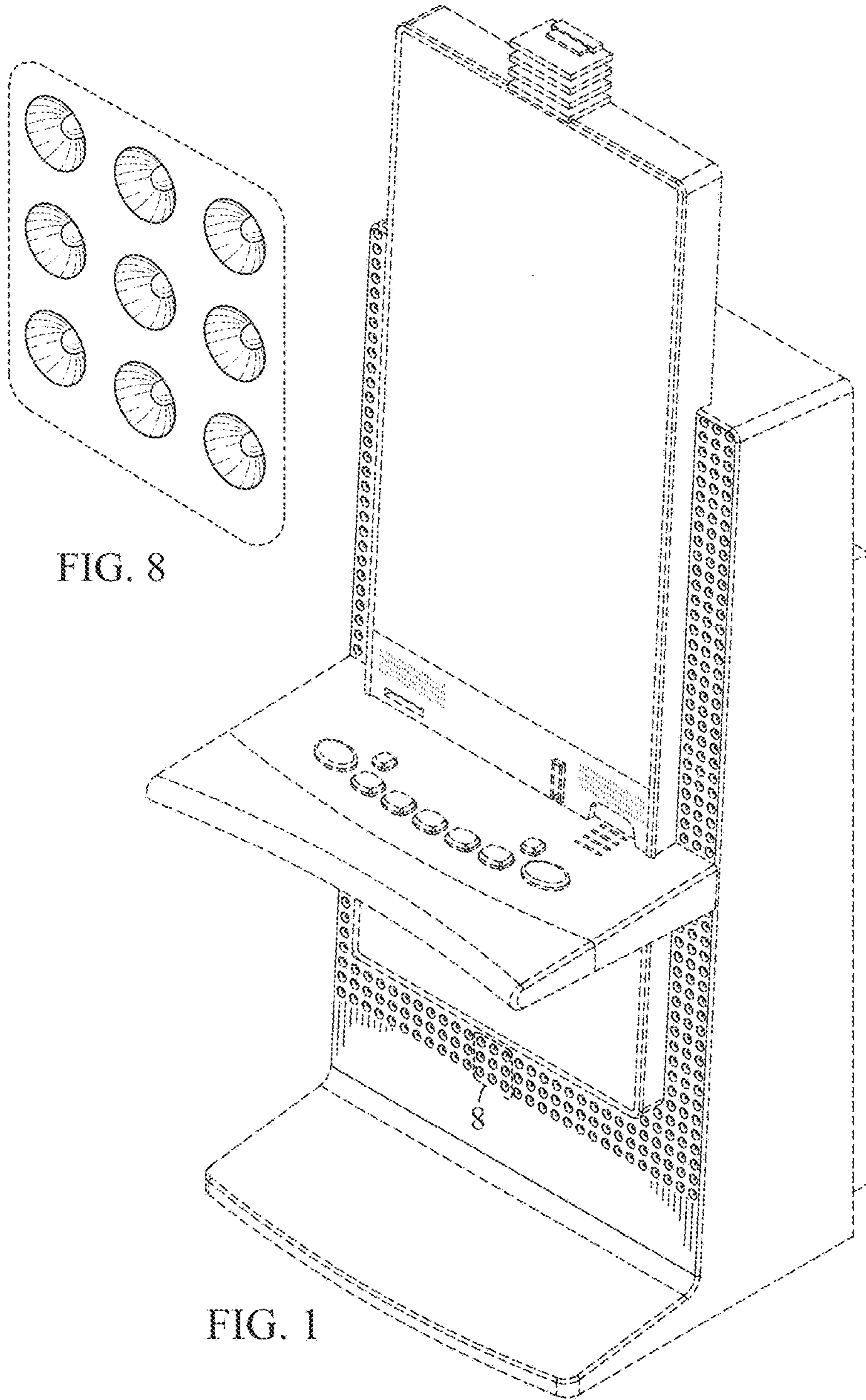


FIG. 8

FIG. 1

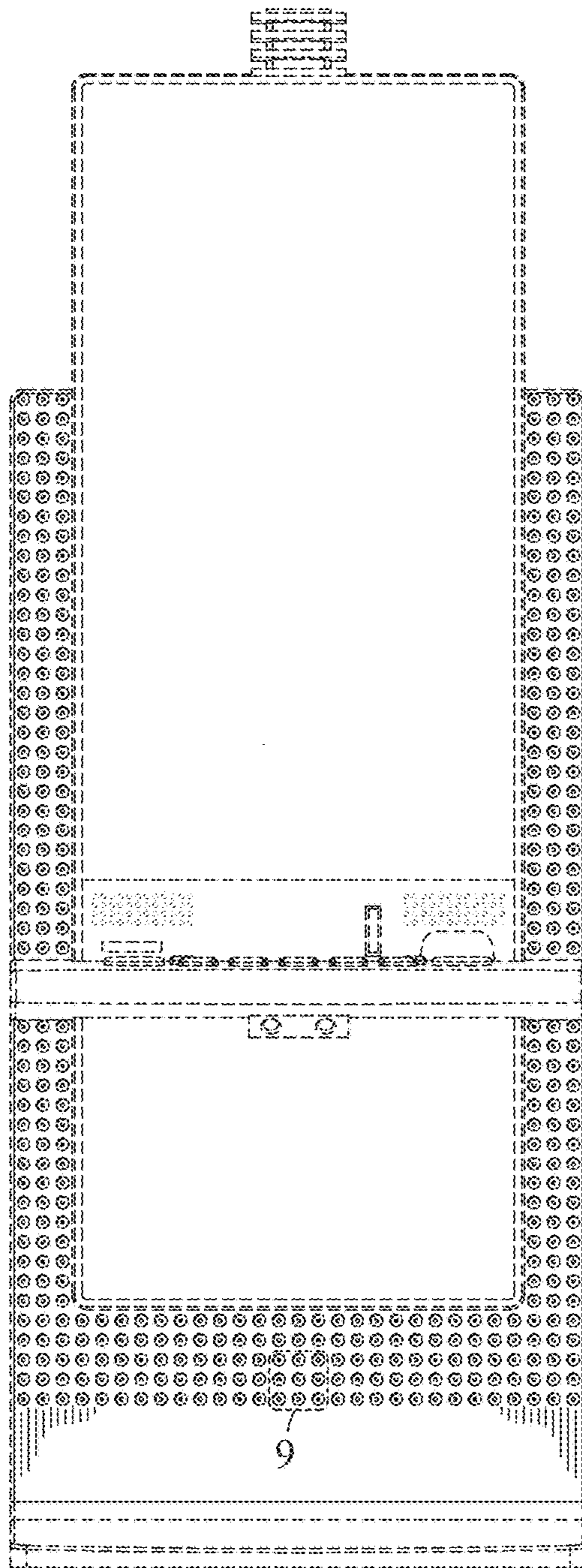


FIG. 2

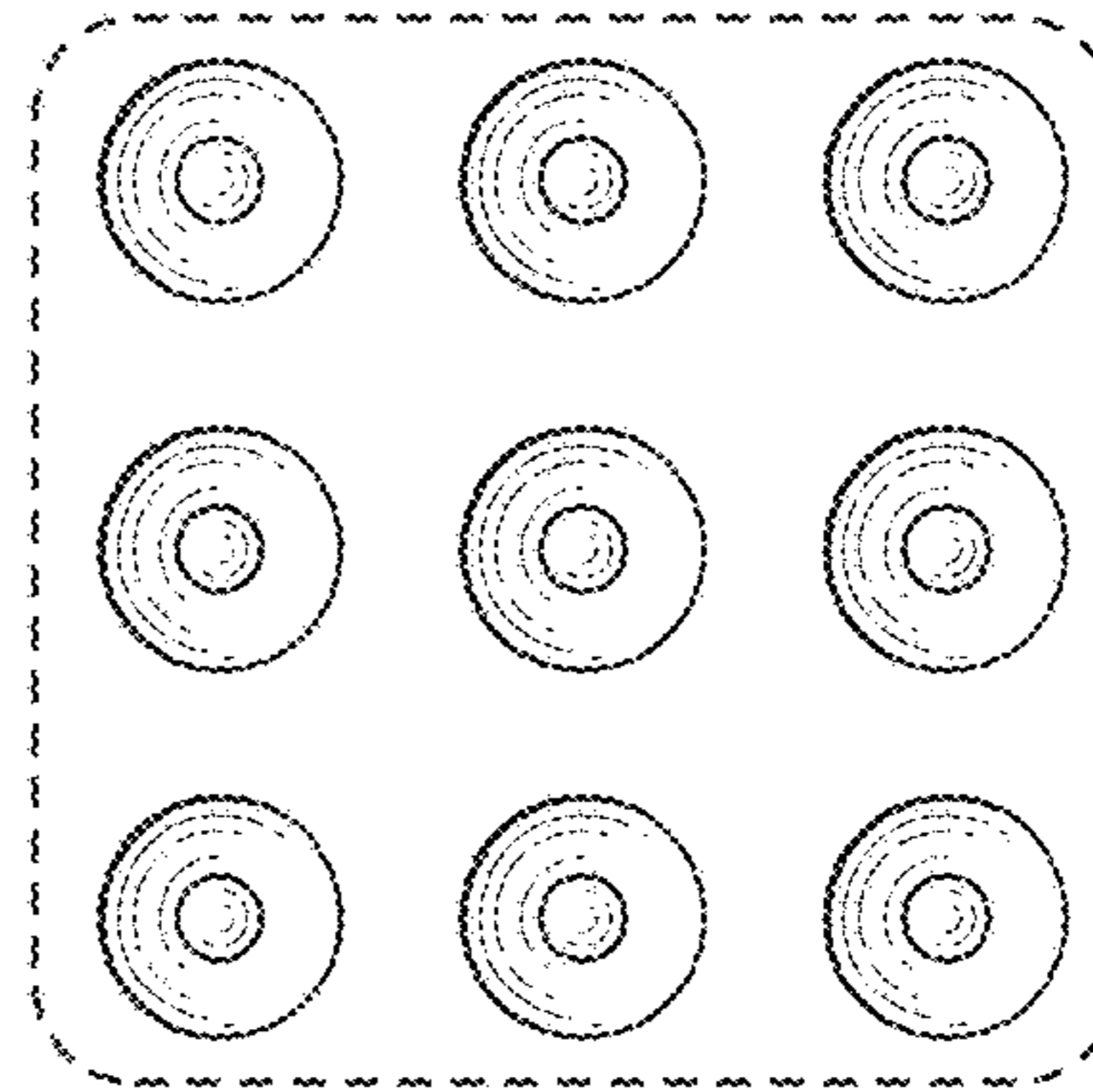


FIG. 9

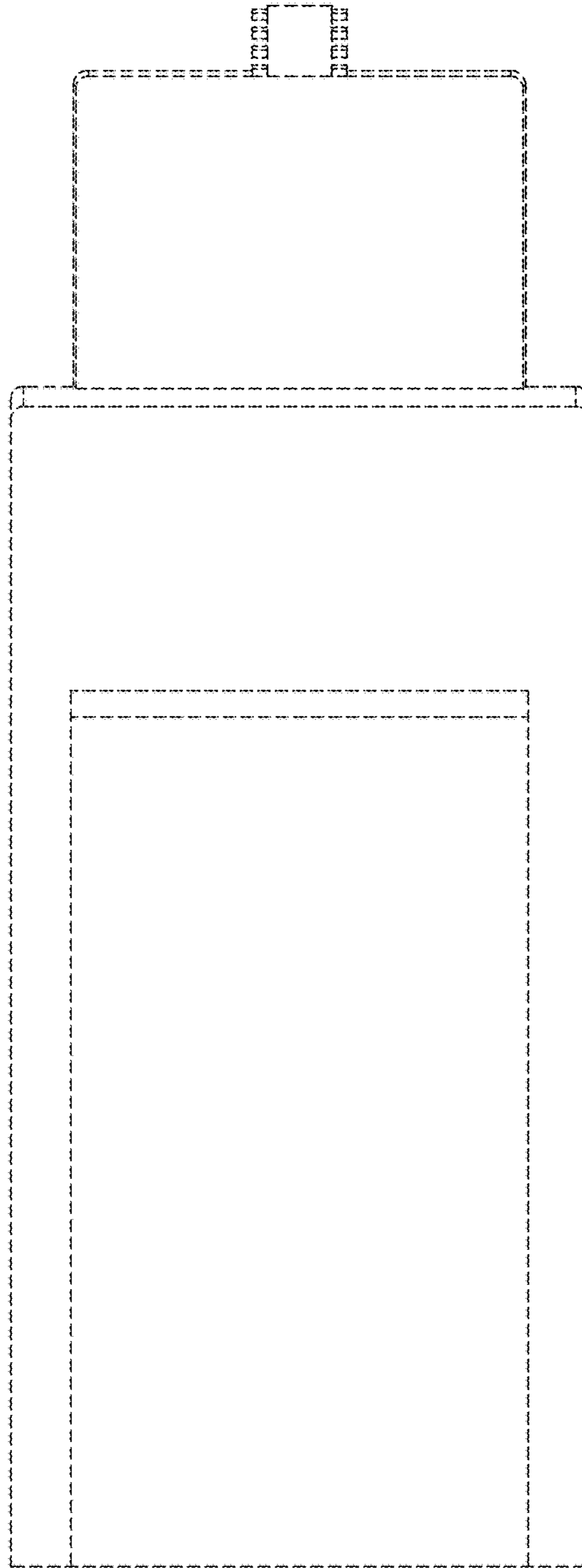


FIG. 3

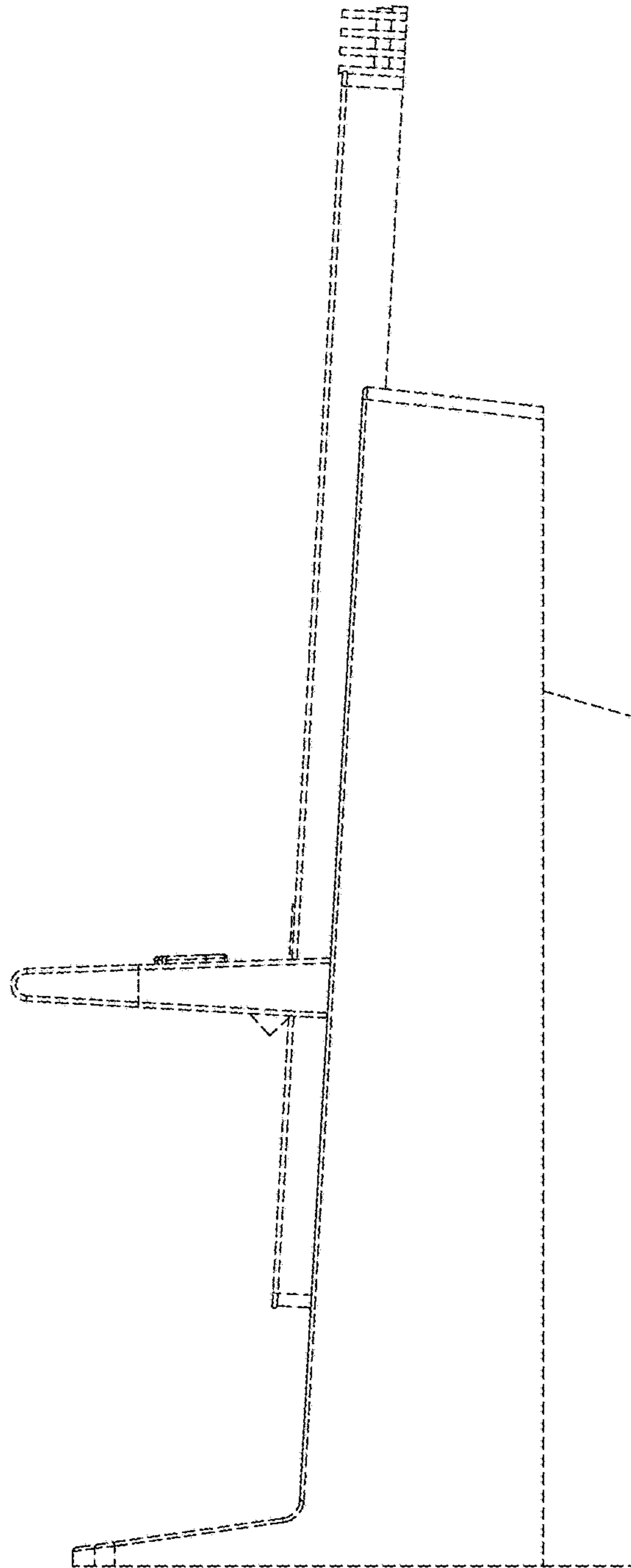


FIG. 4

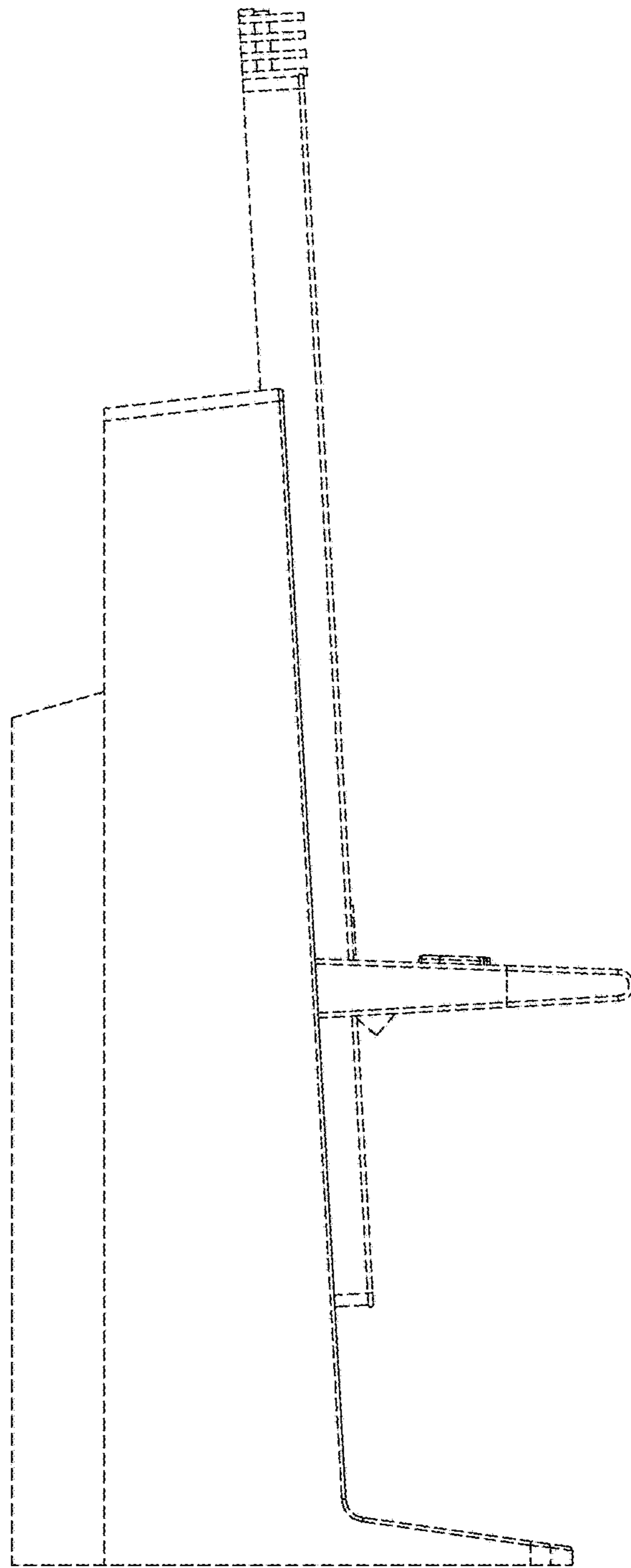


FIG. 5

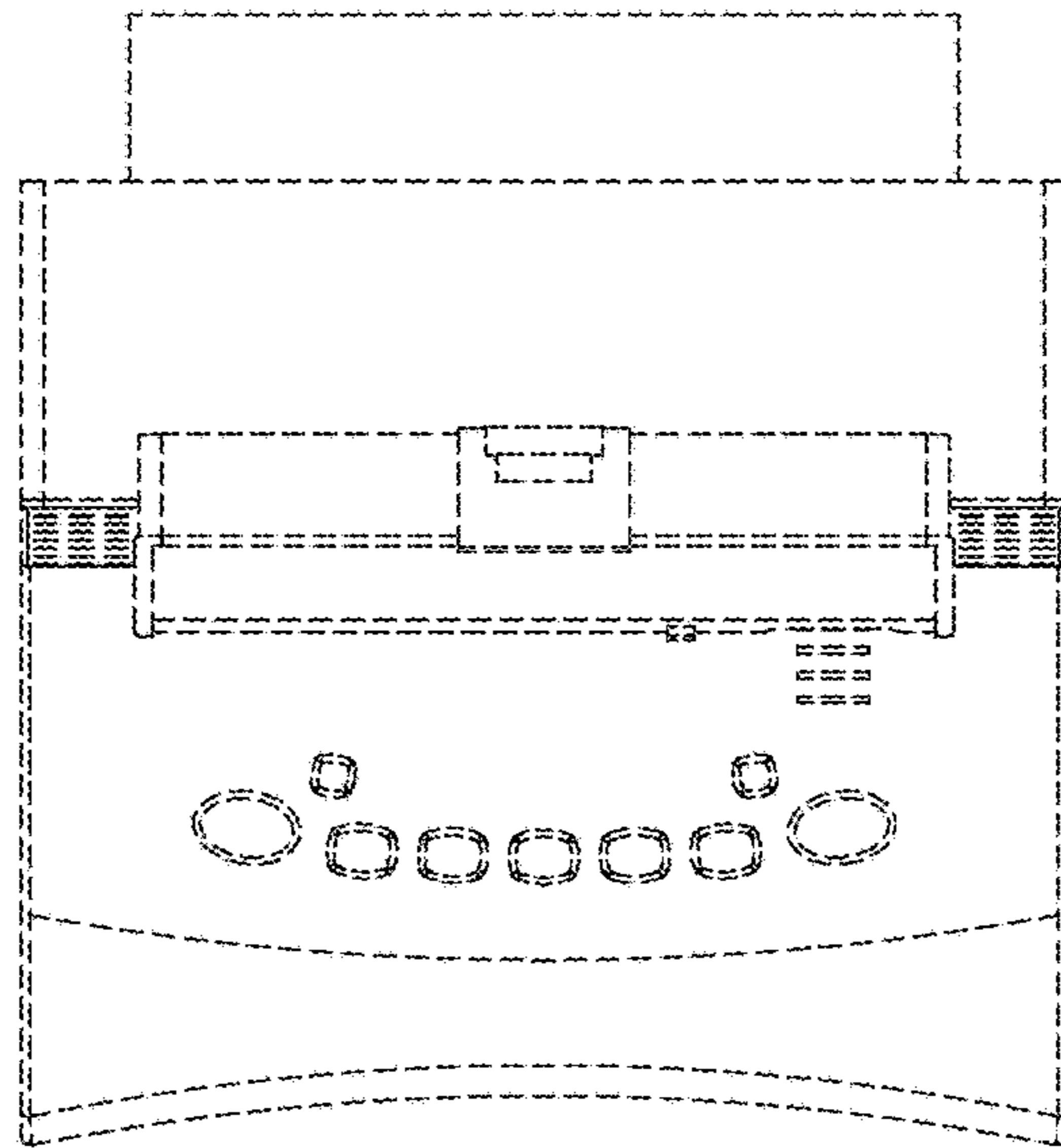


FIG. 6

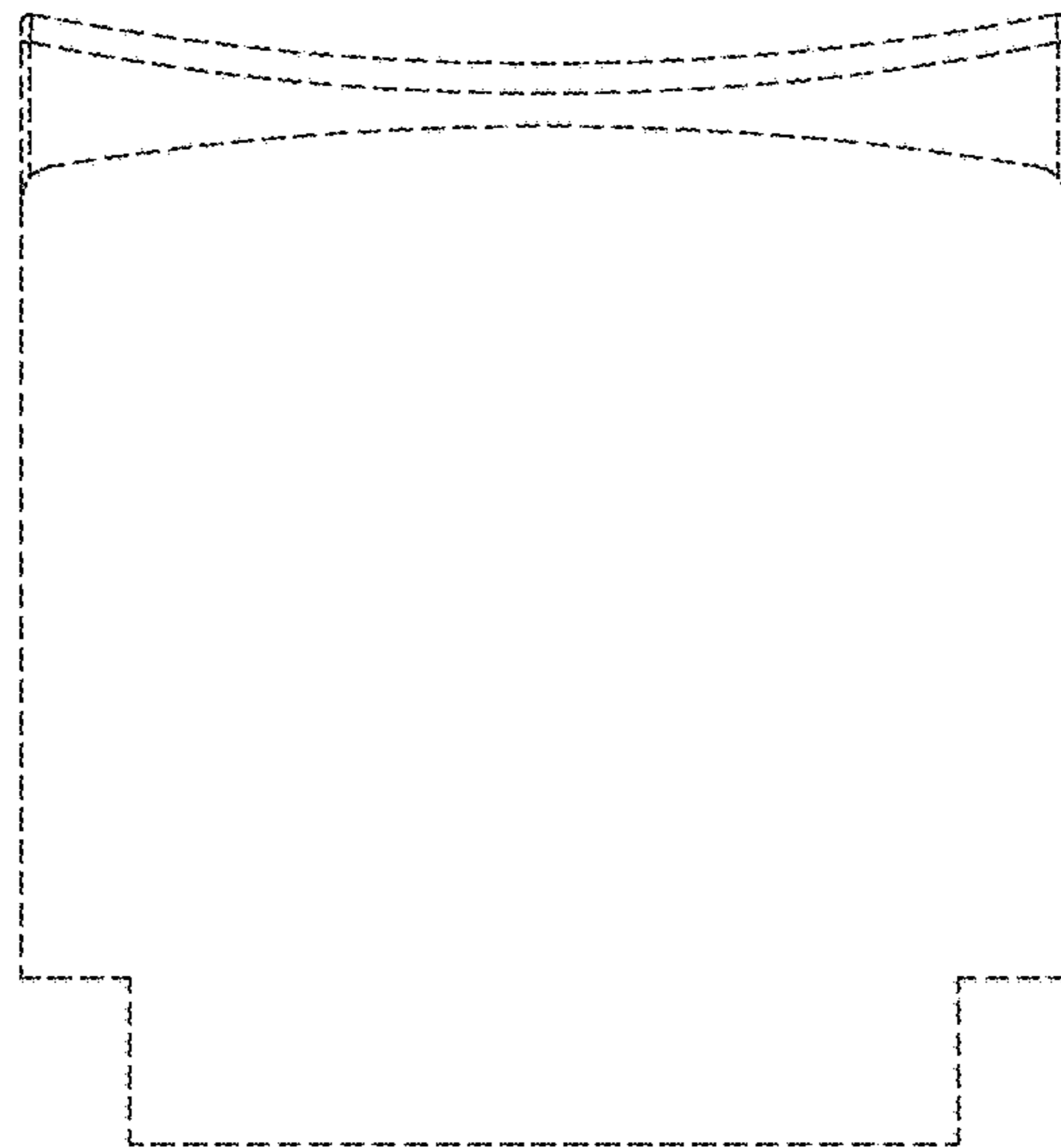


FIG. 7