



US00D844059S

(12) **United States Design Patent** (10) **Patent No.:** **US D844,059 S**
Flansburg et al. (45) **Date of Patent:** **** *Mar. 26, 2019**

- (54) **PILLAR SIGN** 3,928,930 A 12/1975 Attwood
- (71) Applicant: **Target Brands, Inc.**, Minneapolis, MN (US) D350,567 S * 9/1994 Vargish, II D20/41
- (72) Inventors: **Matthew G. Flansburg**, Golden Valley, MN (US); **Eames Gilmore**, Eden Prairie, MN (US) D376,820 S * 12/1996 Bosman D20/17
- (73) Assignee: **Target Brands, Inc.**, Minneapolis, MN (US) D383,867 S 9/1997 Shalvi
- D414,713 S * 10/1999 Renk D10/113.2
- D445,054 S 7/2001 Despino et al.
- D453,700 S 2/2002 Tremmel
- D455,788 S * 4/2002 Gentelia D20/10
- D661,832 S * 6/2012 Williams G09F 13/00 D26/68
- D685,433 S * 7/2013 De Iuliis D20/15
- 8,607,488 B2 * 12/2013 Johnston G09F 15/0075 256/1

(Continued)

(*) Notice: This patent is subject to a terminal disclaimer.

(**) Term: **15 Years**

(21) Appl. No.: **29/647,189**

(22) Filed: **May 10, 2018**

(51) **LOC (11) Cl.** **20-03**

(52) **U.S. Cl.**
USPC **D20/41; D20/19**

(58) **Field of Classification Search**
USPC D20/10, 17, 19, 39, 41, 99; D10/109.1, D10/113.2, 113.4, 114.1, 115; D13/107; D14/489, 482; D25/126; D26/67, 68, D26/93, 106; D99/29, 32
CPC ... G09F 7/00; G09F 9/00; G09F 11/00; G09F 13/00; G09F 13/04; G09F 13/20; G09F 13/22; G09F 2013/0495; G09F 2013/184; G09F 15/00; G09F 15/0075; B60L 11/1811; E04H 17/22; F21S 6/00; F21S 6/004

See application file for complete search history.

(56) **References Cited**

U.S. PATENT DOCUMENTS

- D51,942 S * 4/1918 Van Raalte D20/10
- 2,260,082 A * 10/1941 McCauley G09F 13/00 40/564
- 3,399,400 A 8/1968 Lucka

OTHER PUBLICATIONS

Origin Menu Boards, "Drive Thru Menu Board Speaker Posts", <http://www.originmenuboard.com/products/drive-thru-menu-board-products/speaker-posts/>, at least as early as Mar. 23, 2018, 1 page.

(Continued)

Primary Examiner — Mary Ann Calabrese

(74) *Attorney, Agent, or Firm* — Leanne Taveggia Farrell; Westman, Champlin & Koehler, P.A.

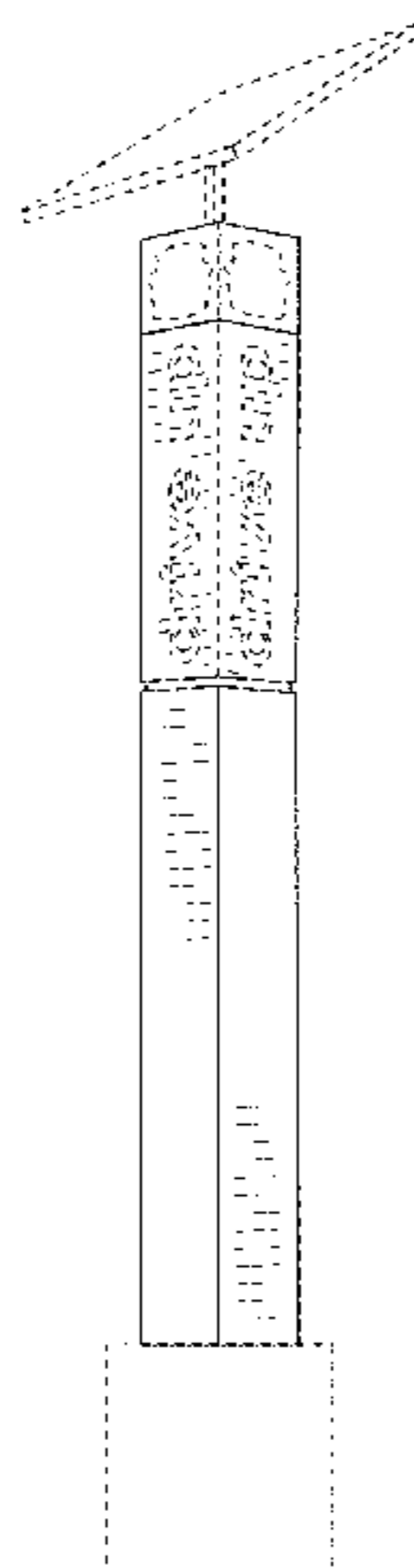
(57) **CLAIM**

The ornamental design for a pillar sign, as shown and described.

DESCRIPTION

FIG. 1 is a perspective view of a pillar sign showing our new design;
FIG. 2 is a right side view thereof, the opposing left side view being a mirror image;
FIG. 3 is a front view thereof;
FIG. 4 is a back view thereof; and,
FIG. 5 is a top view thereof.
The broken lines shown in the drawings are included for purposes of illustrating portions of the pillar sign and form no part of the claimed design.

1 Claim, 2 Drawing Sheets



(56)

References Cited

U.S. PATENT DOCUMENTS

D735,362 S * 7/2015 Kurtz B60L 11/1811
 D25/126
 D737,123 S * 8/2015 Prian D25/126
 D753,332 S * 4/2016 De Bevilacqua ... G09F 15/0075
 D26/106
 D775,990 S * 1/2017 White D10/113.2
 D778,364 S 2/2017 Smith
 D791,178 S 7/2017 Franganillo et al.
 2006/0236914 A1* 10/2006 Willett G09F 15/00
 116/209
 2017/0028859 A1* 2/2017 Kang B60L 11/1811

OTHER PUBLICATIONS

The Howard Company, "Speaker Post", <https://www.howardcompany.com/Products/DriveThruSolutions.htm>, at least as early as Mar. 23, 2018, 1 page.

Flickr, "A&W drivethru line & Empty Order Boards mystery!", <https://www.flickr.com/photos/keveh/6349855394>, at least as early as Nov. 16, 2011, 1 page.

123RF, "Drive Thru sign at McDonald's", https://www.123rf.com/photo_85224263_busan-south-korea-circa-may-2017-drive-thru-sign-at-mcdonald-s-a-drive-thru-is-a-type-of-service-pro.html, at least as early as Mar. 23, 2018, 1 page.

U.S. Trademark Registration No. 3,753,720, registered on Mar. 2, 2010, first used in commerce Nov. 4, 2008, (Registrant) L&G Auto Accessories Limited Liability Company Florida.

U.S. Trademark Registration No. 4,287,182, registered on Mar. 14, 2011, published for opposition Nov. 27, 2012, (Registrant) Deutsche Telekom AG Joint stock company Fed Rep Germany.

U.S. Trademark Serial No. 85/743,053, filed on Oct. 1, 2012, (Applicant) Target Brands, Inc. Corporation Minnesota.

Non-Final Office Action dated Aug. 24, 2018 for U.S. Appl. No. 29/649,538, 15 pages.

* cited by examiner

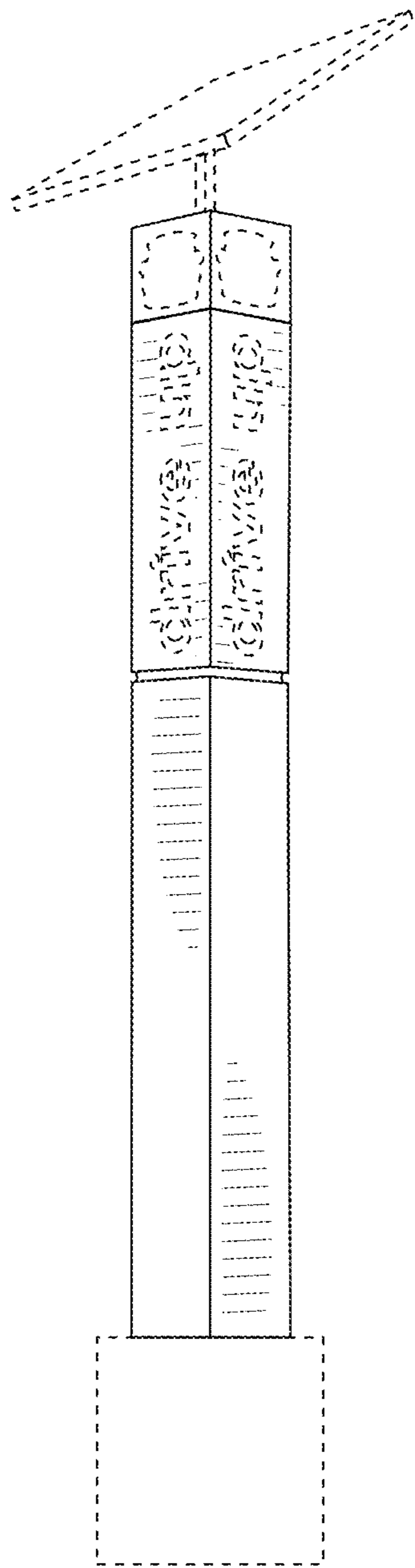


Fig. 1

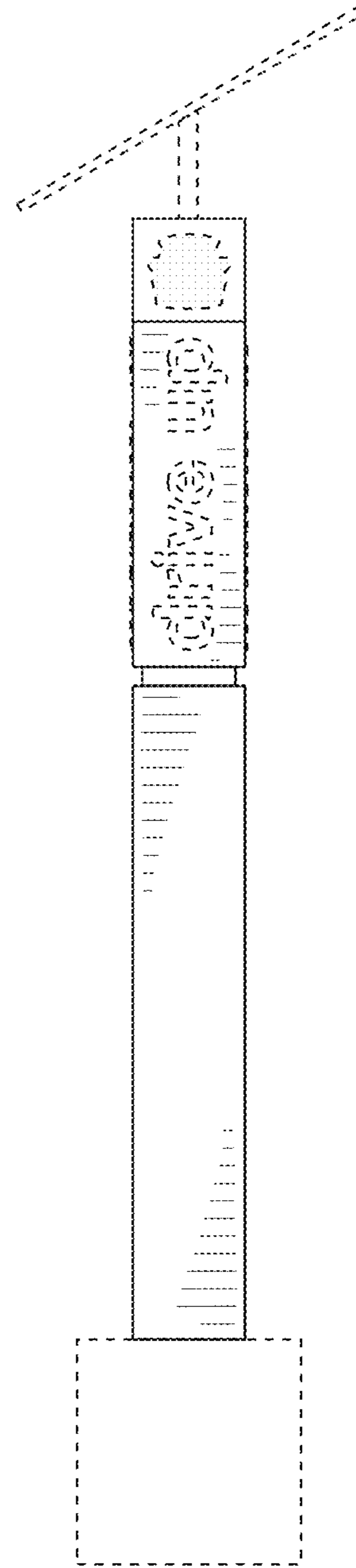


Fig. 2

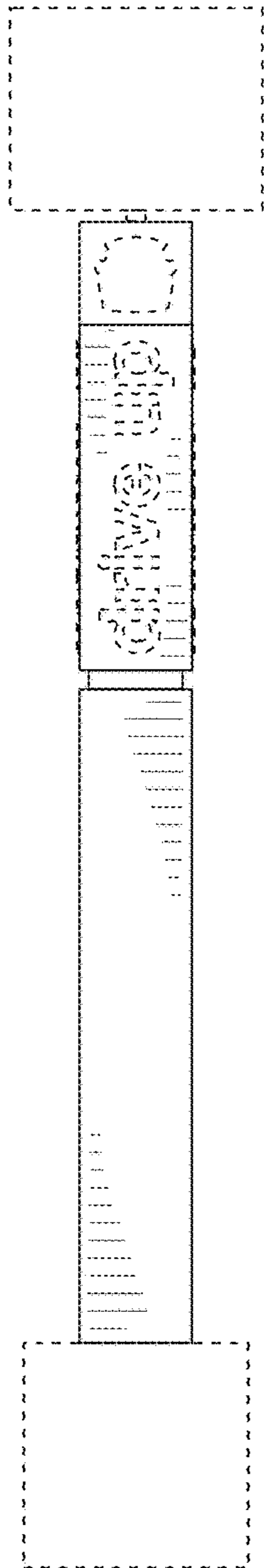


Fig. 3

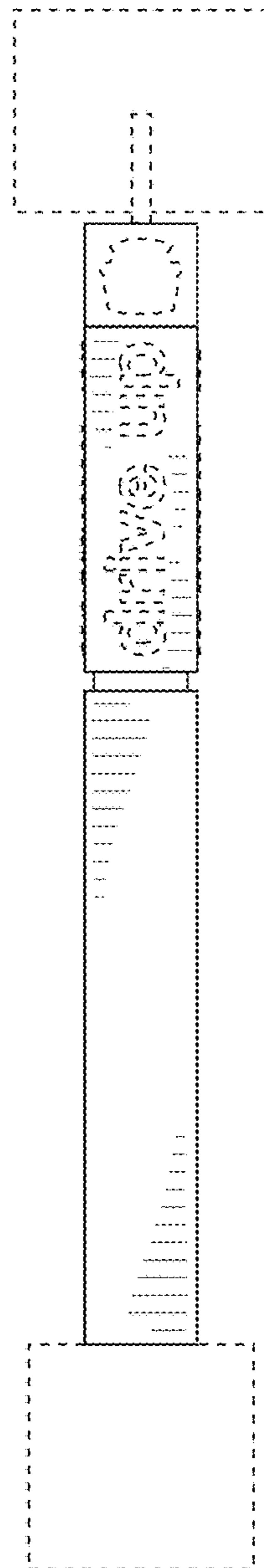


Fig. 4

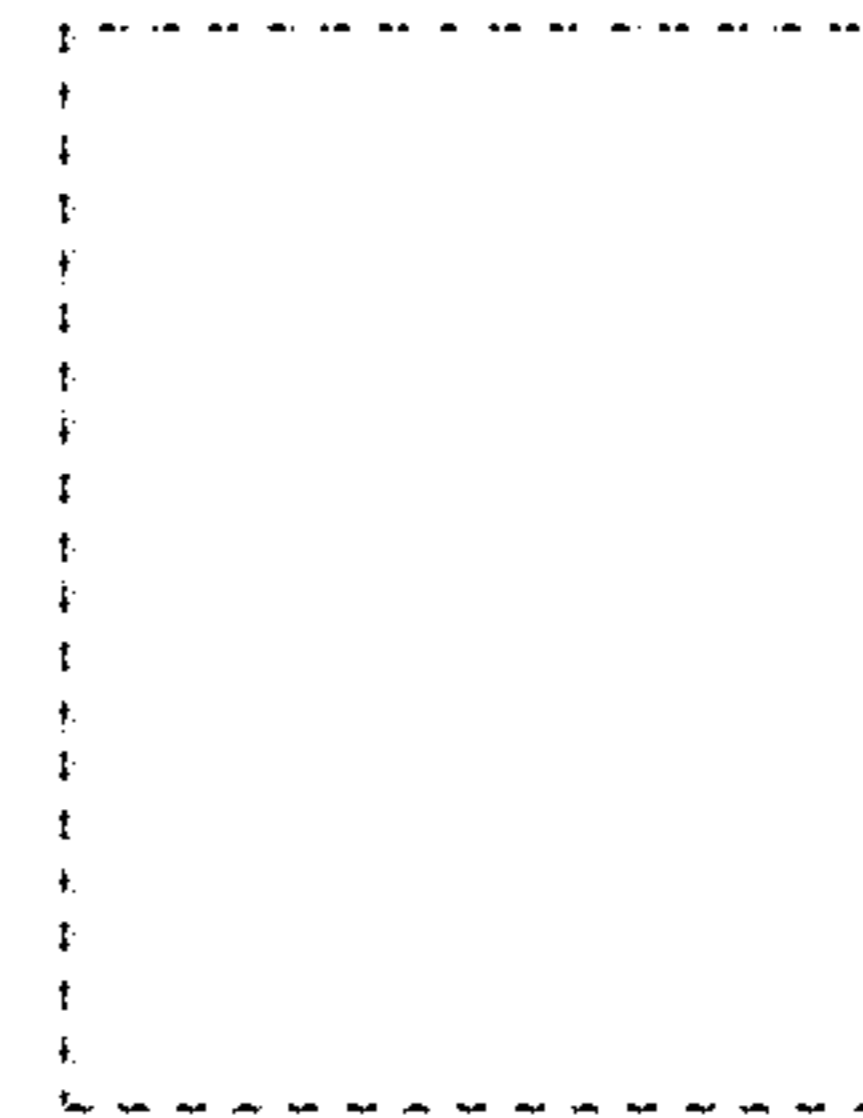


Fig. 5