



US00D844057S

(12) **United States Design Patent** (10) **Patent No.:** **US D844,057 S**  
**Ryu et al.** (45) **Date of Patent:** **\*\* Mar. 26, 2019**

(54) **PARTITION WITH MONITOR FOR ADVERTISEMENT**

(71) Applicant: **LG ELECTRONICS INC.**, Seoul (KR)

(72) Inventors: **Junghan Ryu**, Seoul (KR); **Hewon Kihl**, Seoul (KR)

(73) Assignee: **LG ELECTRONICS INC.**, Seoul (KR)

(\*\*) Term: **15 Years**

(21) Appl. No.: **35/503,937**

(22) Filed: **May 10, 2017**

(80) **Hague Agreement Data**

Int. Filing Date: **May 10, 2017**  
Int. Reg. No.: **DM/096712**  
Int. Reg. Date: **May 10, 2017**  
Int. Reg. Pub. Date: **Nov. 10, 2017**

(30) **Foreign Application Priority Data**

Nov. 11, 2016 (KR) ..... 30-2016-0054470

(51) **LOC (11) Cl.** ..... **20-03**

(52) **U.S. Cl.**  
USPC ..... **D20/10; D6/332**

(58) **Field of Classification Search**  
USPC ..... D20/10, 99, 19, 39, 42, 43, 27; D6/332, D6/682.5, 672, 677, 677.4, 678.3, 680.1, D6/680.2, 682.1, 682.3; D14/126, 371; D19/113; D24/160; D10/30, 38  
CPC ..... G09F 15/00; G09F 15/0056; G09F 1/10; G09F 1/12; G09F 15/0006; G09F 15/0018; A47G 5/00; E04B 2/7422  
See application file for complete search history.

(56) **References Cited**

U.S. PATENT DOCUMENTS

D52,007 S \* 5/1918 Erickson ..... D20/39  
1,992,487 A \* 2/1935 Jones ..... A47B 65/00  
211/43  
4,250,640 A \* 2/1981 Culhane ..... A47G 1/06  
40/537  
D267,658 S \* 1/1983 Samuels, Jr. .... D20/42  
D349,608 S \* 8/1994 Savoie ..... D25/138  
D389,194 S \* 1/1998 Rinicella ..... D20/10  
D405,976 S \* 2/1999 Beall ..... D20/10  
D406,279 S \* 3/1999 LaRosa ..... D20/10  
D417,241 S \* 11/1999 Frey ..... D20/10  
D518,109 S \* 3/2006 Opolka ..... D20/42  
D548,234 S \* 8/2007 Kurihara ..... D14/341  
D680,090 S \* 4/2013 Serota ..... D14/126  
D719,612 S \* 12/2014 Aleman ..... D20/41

(Continued)

OTHER PUBLICATIONS

Sam's Club. Marque Triple-Unit Reception Station Plexi-Panel Front and 2 Locking Drawer Pedestals. 2018 [earliest online date], [site visited Aug. 10, 2018]. Available from Internet, <URL:https://www.samsclub.com/sams/reception-desk-curved-design-desk/prod21420696.ip?xid=plp\_product\_1\_6>. (Year: 2018).\*

*Primary Examiner* — George D. Kirschbaum

*Assistant Examiner* — Darcey E Heflin

(74) *Attorney, Agent, or Firm* — Birch, Stewart, Kolasch & Birch, LLP

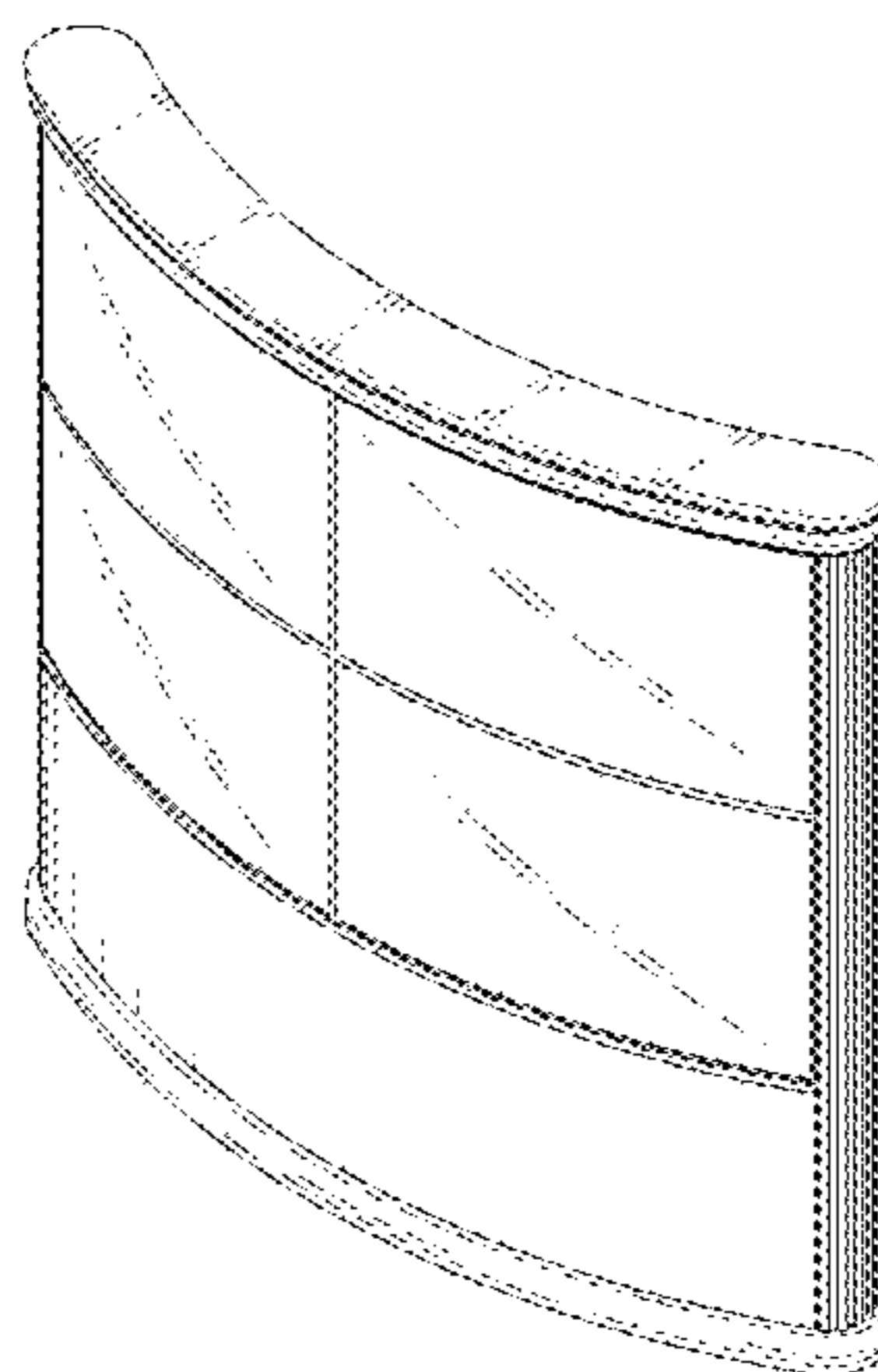
(57) **CLAIM**

The ornamental design for a partition with monitor for advertisement, as shown and described.

**DESCRIPTION**

1. Partition with monitor for advertisement  
**1.1** : Perspective  
**1.2** : Front

(Continued)



- 1.3 : Back
- 1.4 : Left
- 1.5 : Right
- 1.6 : Top
- 1.7 : Bottom

**1 Claim, 7 Drawing Sheets**

(56)

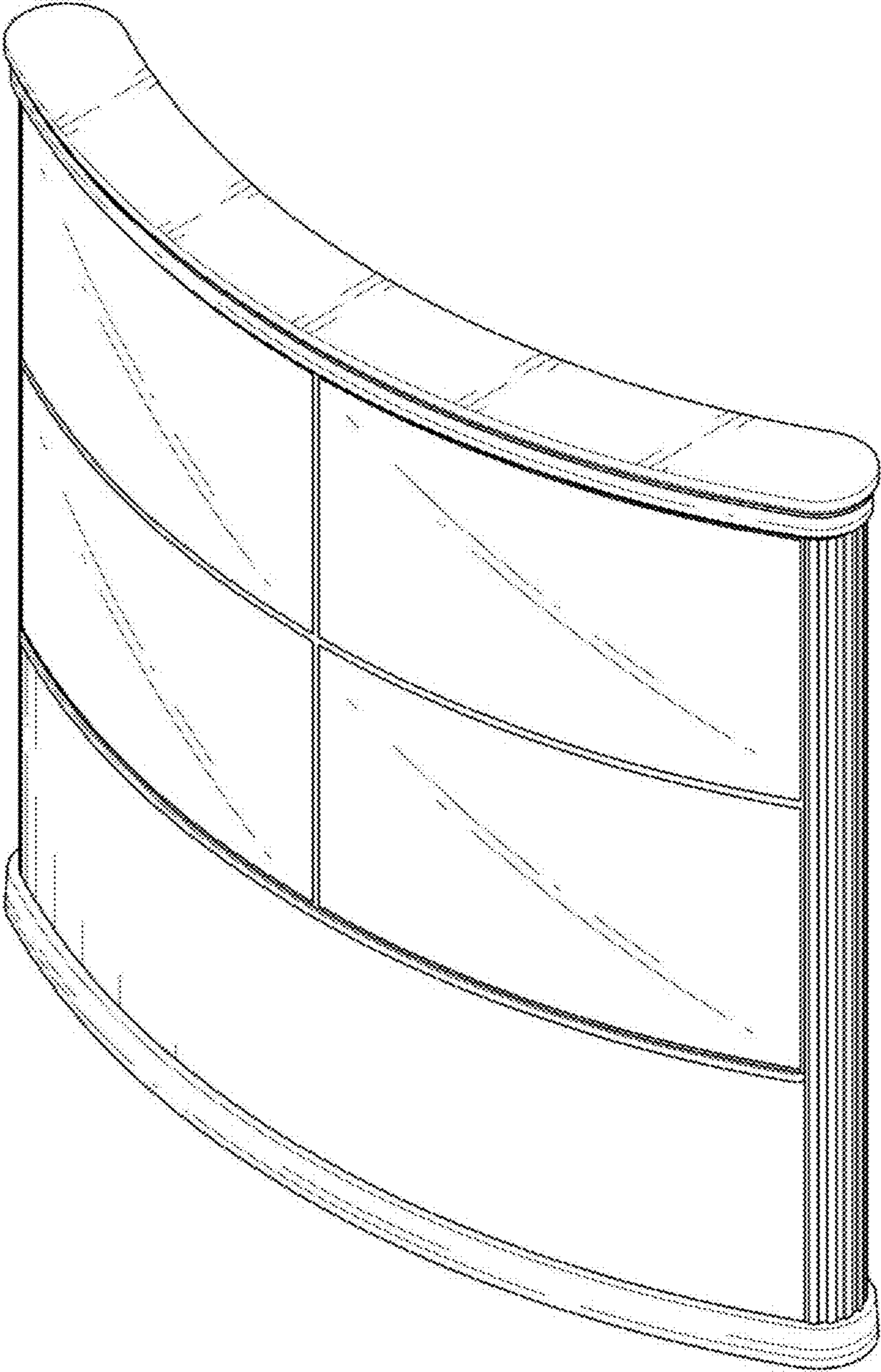
**References Cited**

U.S. PATENT DOCUMENTS

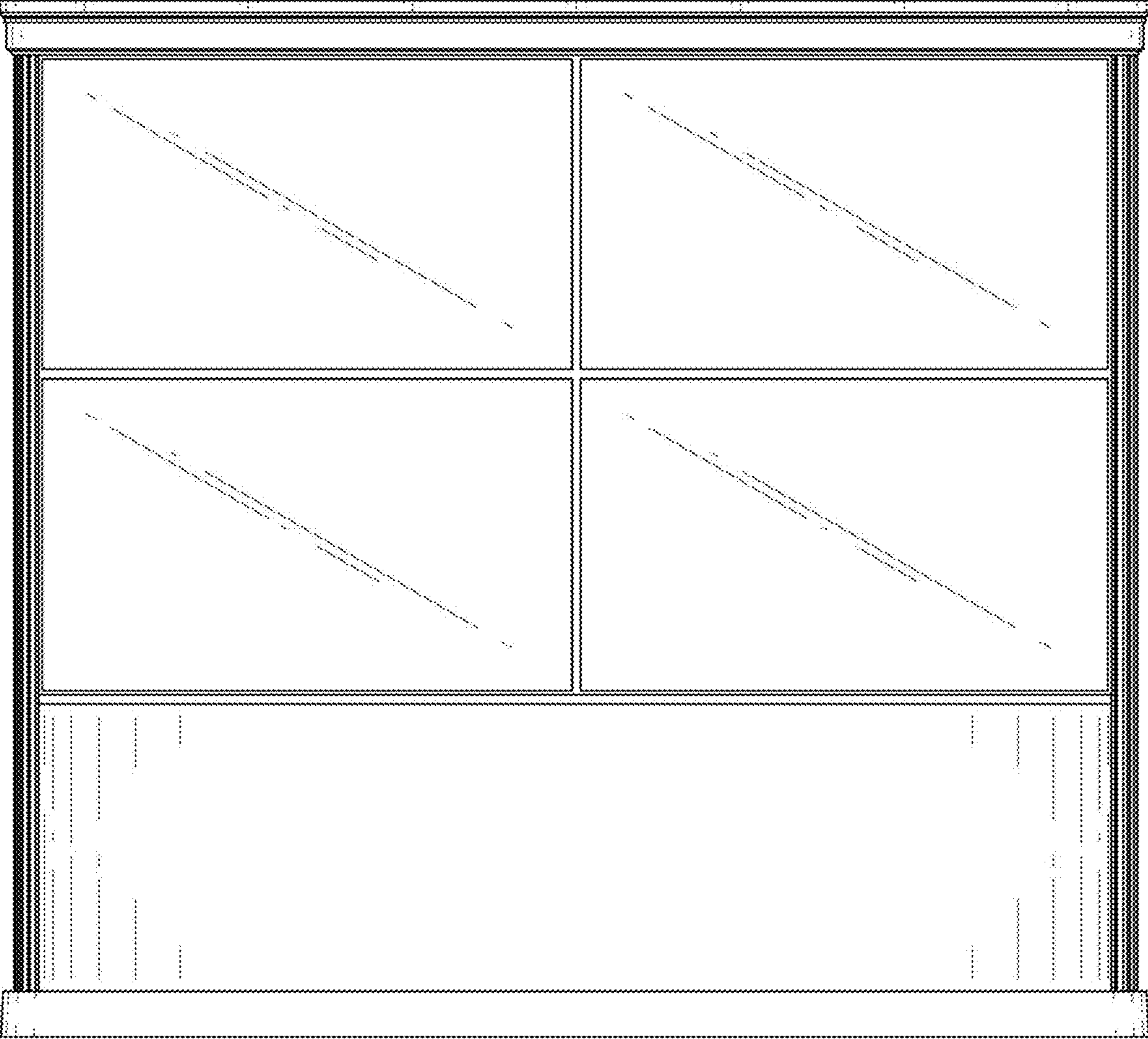
D737,271 S *	8/2015	Morrissey .....	D14/371
D767,412 S *	9/2016	Voirin .....	D10/30
D793,751 S *	8/2017	Kitajima .....	D6/332
D796,216 S *	9/2017	Rockwell .....	D6/332
D817,396 S *	5/2018	Carvey .....	D19/113
D827,029 S *	8/2018	Lim .....	D20/10
D831,118 S *	10/2018	Yoon .....	D20/10

\* cited by examiner

1.1

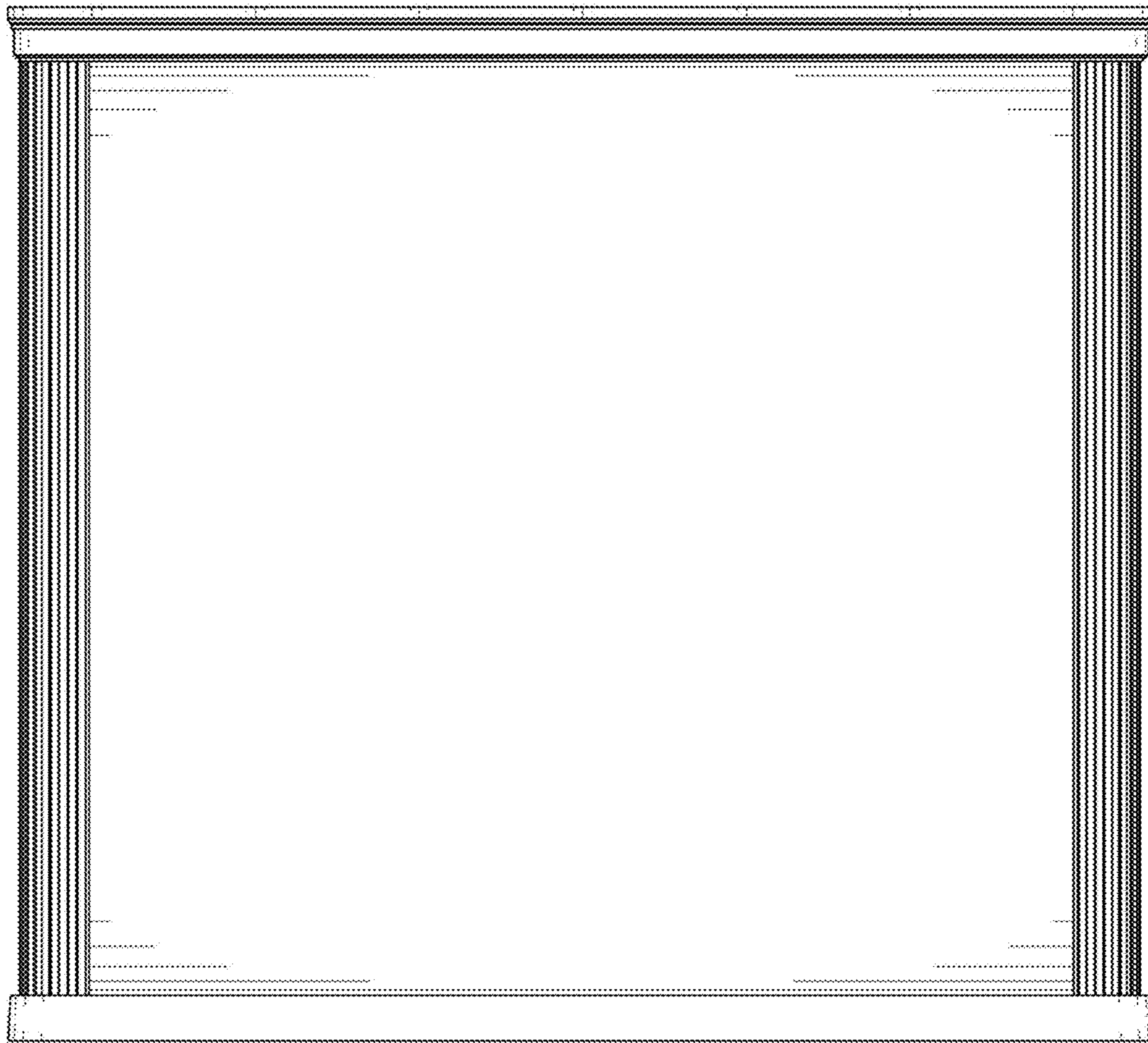


1.2

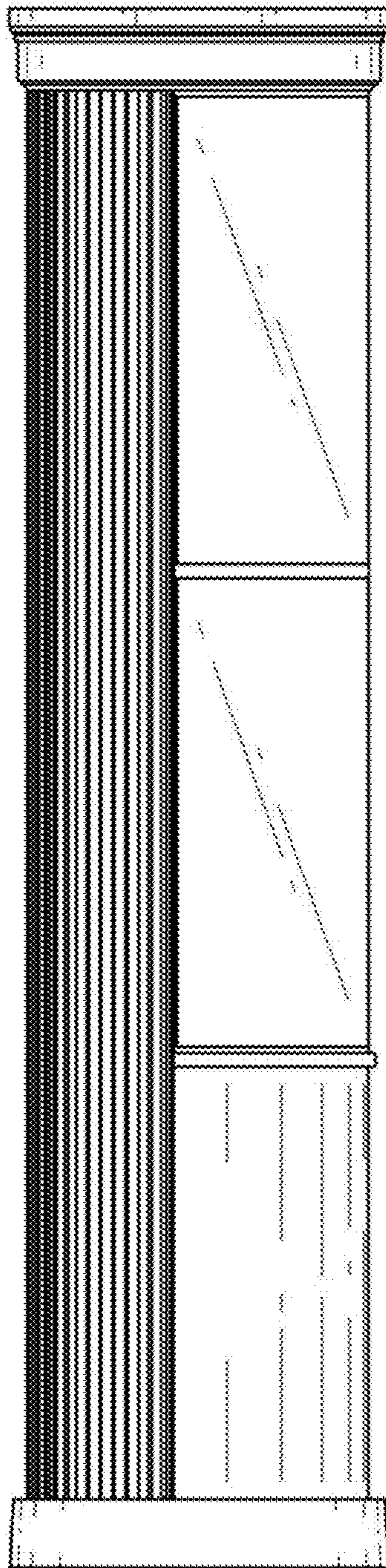




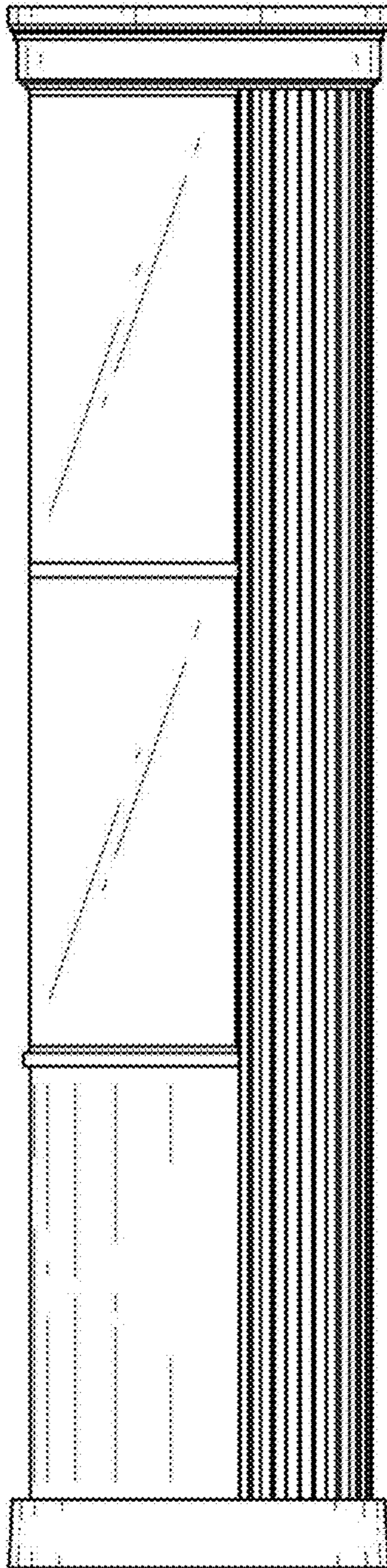
1.3



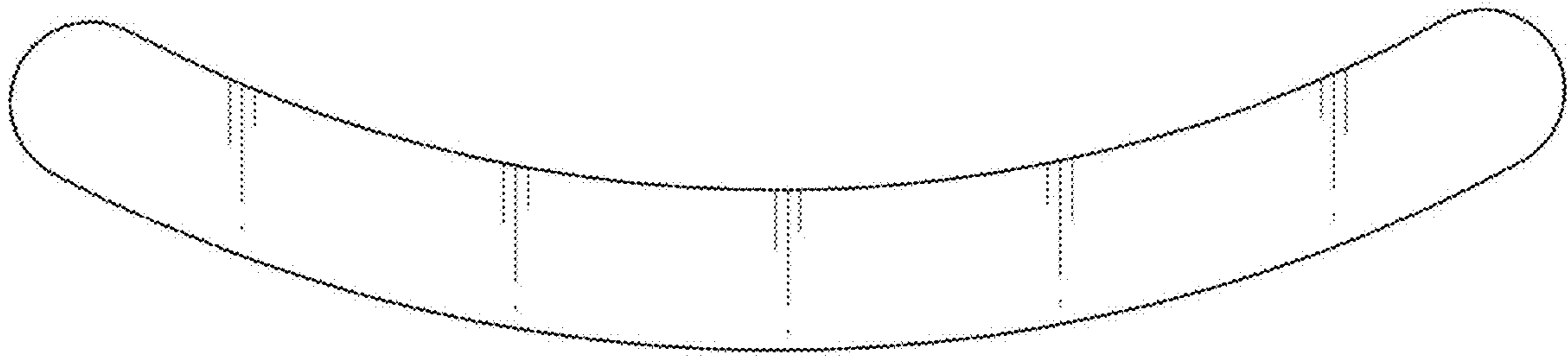
1.4



1.5



1.6





1.7

