



US00D844048S

(12) **United States Design Patent**  
**Abe et al.**

(10) **Patent No.:** **US D844,048 S**  
(45) **Date of Patent:** **\*\* Mar. 26, 2019**

(54) **COIN DEPOSITING AND DISPENSING APPARATUS**

(71) Applicant: **ASAHI SEIKO CO., LTD.**, Tokyo (JP)

(72) Inventors: **Hiroshi Abe**, Saitama (JP); **Masayoshi Umeda**, Saitama (JP)

(73) Assignee: **ASAHI SEIKO CO., LTD.**, Tokyo (JP)

(\*\*) Term: **15 Years**

(21) Appl. No.: **29/598,278**

(22) Filed: **Mar. 24, 2017**

(30) **Foreign Application Priority Data**

Nov. 28, 2016 (JP) ..... 2016-025726

(51) **LOC (11) Cl.** ..... **18-01**

(52) **U.S. Cl.**  
USPC ..... **D18/12.1**; D99/43; D18/3.1

(58) **Field of Classification Search**  
USPC ..... D18/3.1, 3.2, 3.3, 12, 12.1, 46, 47, 49;  
D14/900, 901, 902; D99/28, 34-36, 43,  
D99/99; D10/97; D20/1, 2, 4, 5, 6, 8, 9  
CPC .. G07D 1/00; G07D 1/02; G07D 3/00; G07D  
3/14; G07D 3/16; G07D 9/00; G07D  
9/002; G07D 9/008; G07D 9/02; G07D  
11/00; G07D 11/0018; G07D 2201/00;  
G07F 1/00; G07F 1/04; G07F 3/00; G07F  
3/04  
See application file for complete search history.

(56) **References Cited**

**U.S. PATENT DOCUMENTS**

5,562,536 A \* 10/1996 Uchida ..... G07D 3/06  
453/12  
D523,468 S \* 6/2006 Umeda ..... D18/3.1  
D540,391 S \* 4/2007 Irie ..... D20/9

7,377,846 B2 \* 5/2008 Umeda ..... G07D 1/02  
453/3  
7,470,174 B2 \* 12/2008 Umeda ..... G07D 3/14  
194/346  
D724,813 S \* 3/2015 Umeda ..... D99/34  
D767,239 S \* 9/2016 Umeda ..... D99/34  
D810,189 S \* 2/2018 Enomoto ..... D18/3.1  
2006/0040603 A1 \* 2/2006 Nishimura ..... G07D 1/00  
453/3  
2007/0149102 A1 \* 6/2007 Umeda ..... G07D 9/00  
453/56  
2008/0171508 A1 \* 7/2008 Enomoto ..... G07D 1/00  
453/18

(Continued)

**FOREIGN PATENT DOCUMENTS**

EP 1939821 A1 \* 7/2008 ..... G07D 1/00  
GB 2386734 A \* 9/2003 ..... G07D 1/02

(Continued)

*Primary Examiner* — Marie D. Fast Horse

(74) *Attorney, Agent, or Firm* — Sughrue Mion, PLLC

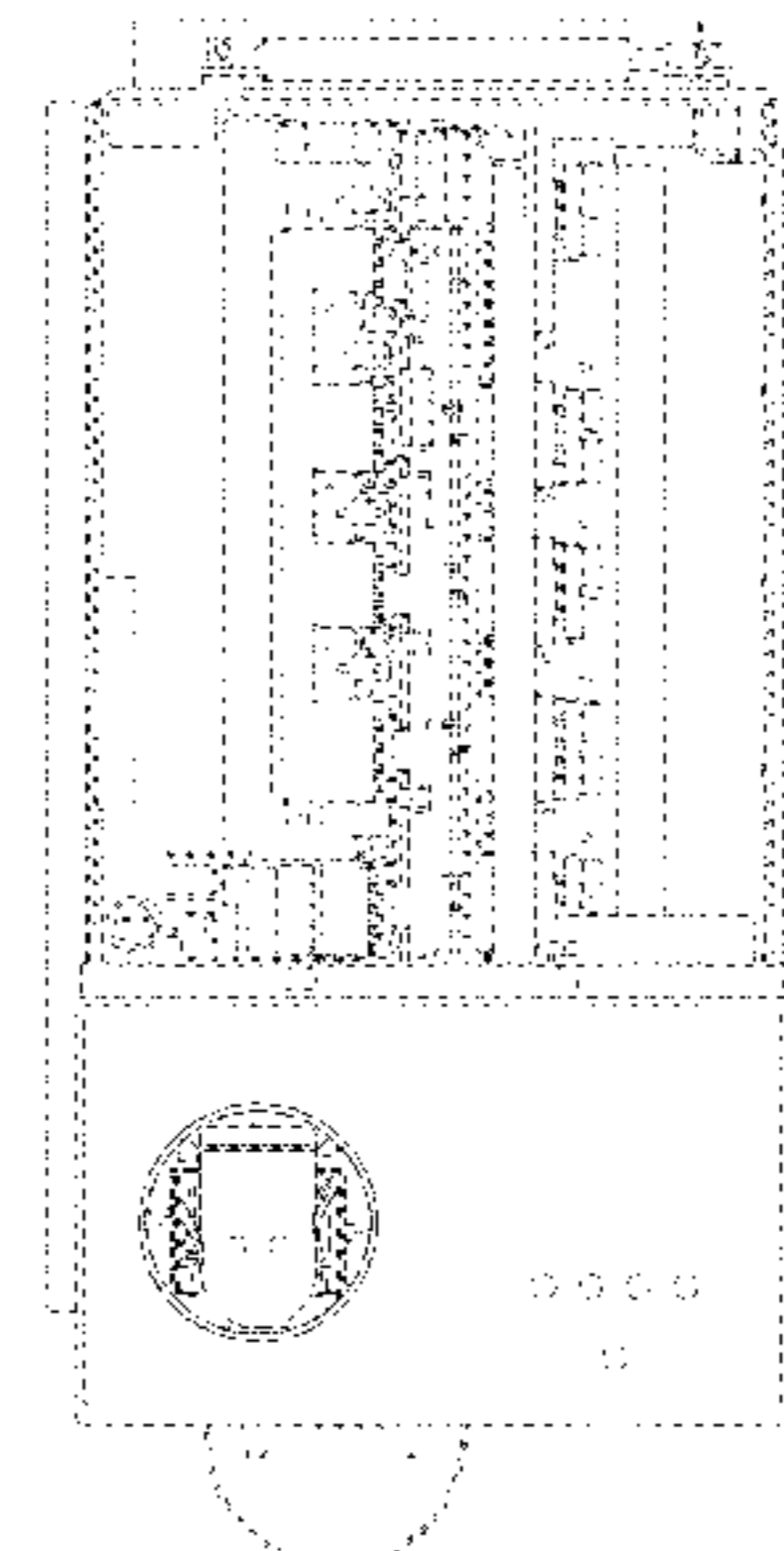
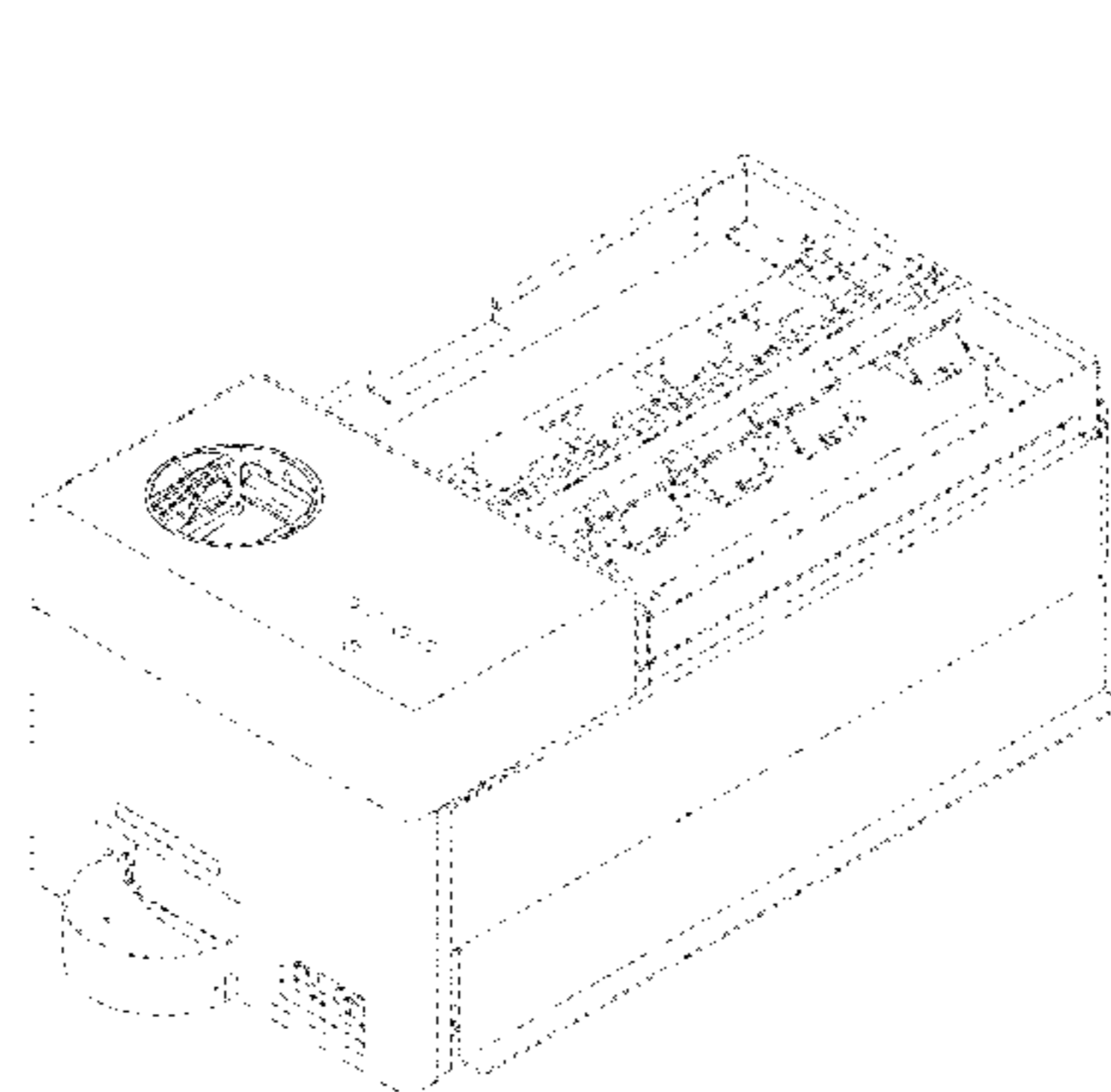
(57) **CLAIM**

The ornamental design for a coin depositing and dispensing apparatus, as shown and described.

**DESCRIPTION**

FIG. 1 is a perspective view of a coin depositing and dispensing apparatus showing our new design;  
FIG. 2 is a front view thereof;  
FIG. 3 is a rear view thereof;  
FIG. 4 is a left side view thereof;  
FIG. 5 is a right side view thereof;  
FIG. 6 is a top plan view thereof; and,  
FIG. 7 is a bottom view thereof.  
The broken lines in the drawings depict portions of the coin depositing and dispensing apparatus that form no part of the claimed design.

**1 Claim, 7 Drawing Sheets**



(56)

**References Cited**

U.S. PATENT DOCUMENTS

2011/0263190 A1\* 10/2011 Stump ..... G07D 3/06  
453/3  
2012/0217127 A1\* 8/2012 Yasui ..... G07D 9/00  
194/342

FOREIGN PATENT DOCUMENTS

JP 1194323 S 1/2004  
JP 2004246531 A \* 9/2004  
JP 1235081 S 4/2005  
JP 1253309 S 10/2005  
JP 2008152658 A \* 7/2008 ..... G07D 1/00  
JP 1495297 S 4/2014  
JP 1495298 S 4/2014  
JP 1495299 S 4/2014  
JP 2015097001 A \* 5/2015 ..... G07D 1/00  
JP 2015106321 A \* 6/2015 ..... G07D 1/00  
JP 1547427 S 4/2016  
JP 1547428 S 4/2016  
JP 1547446 S 4/2016

\* cited by examiner

FIG. 1

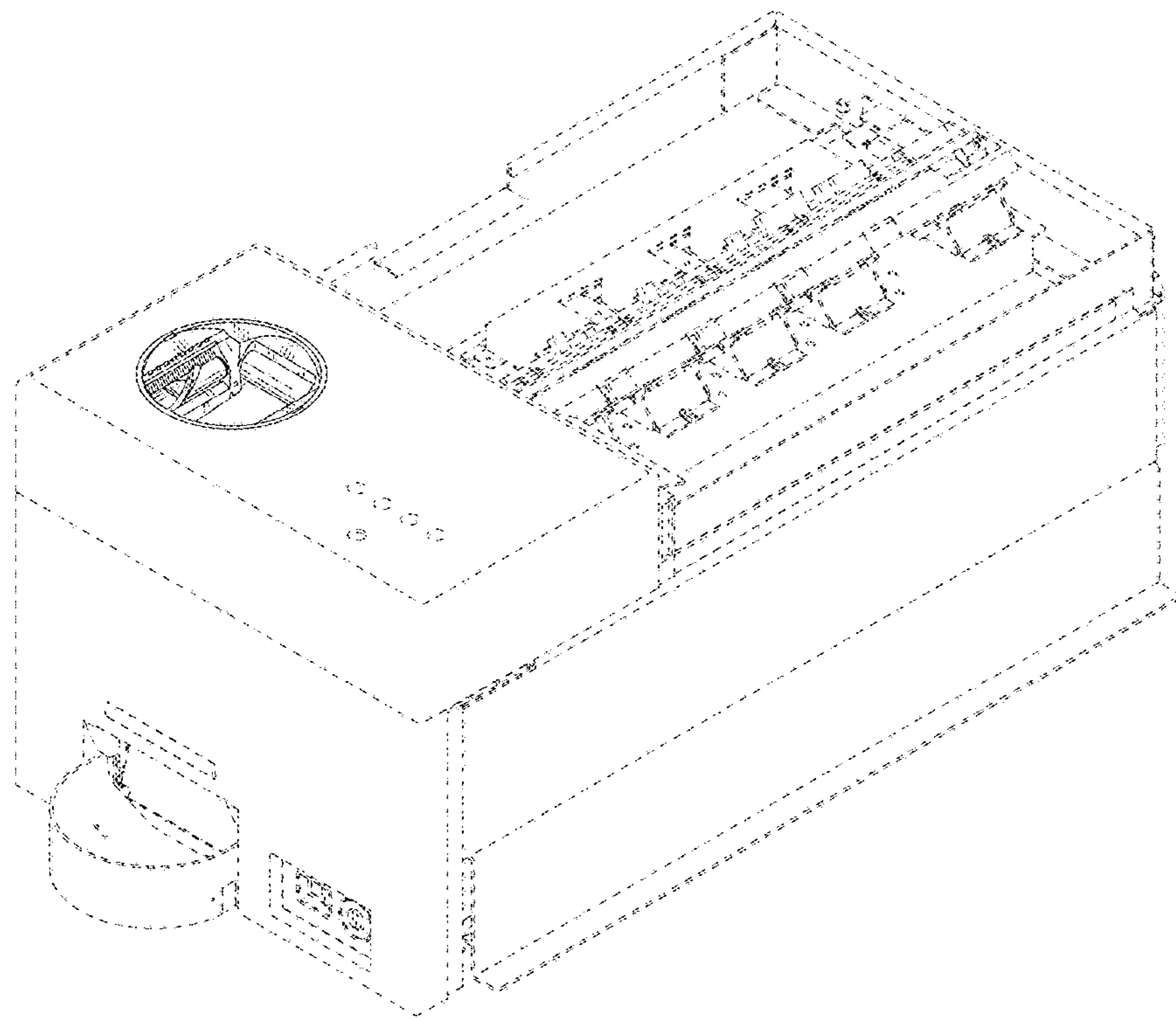


Fig. 2

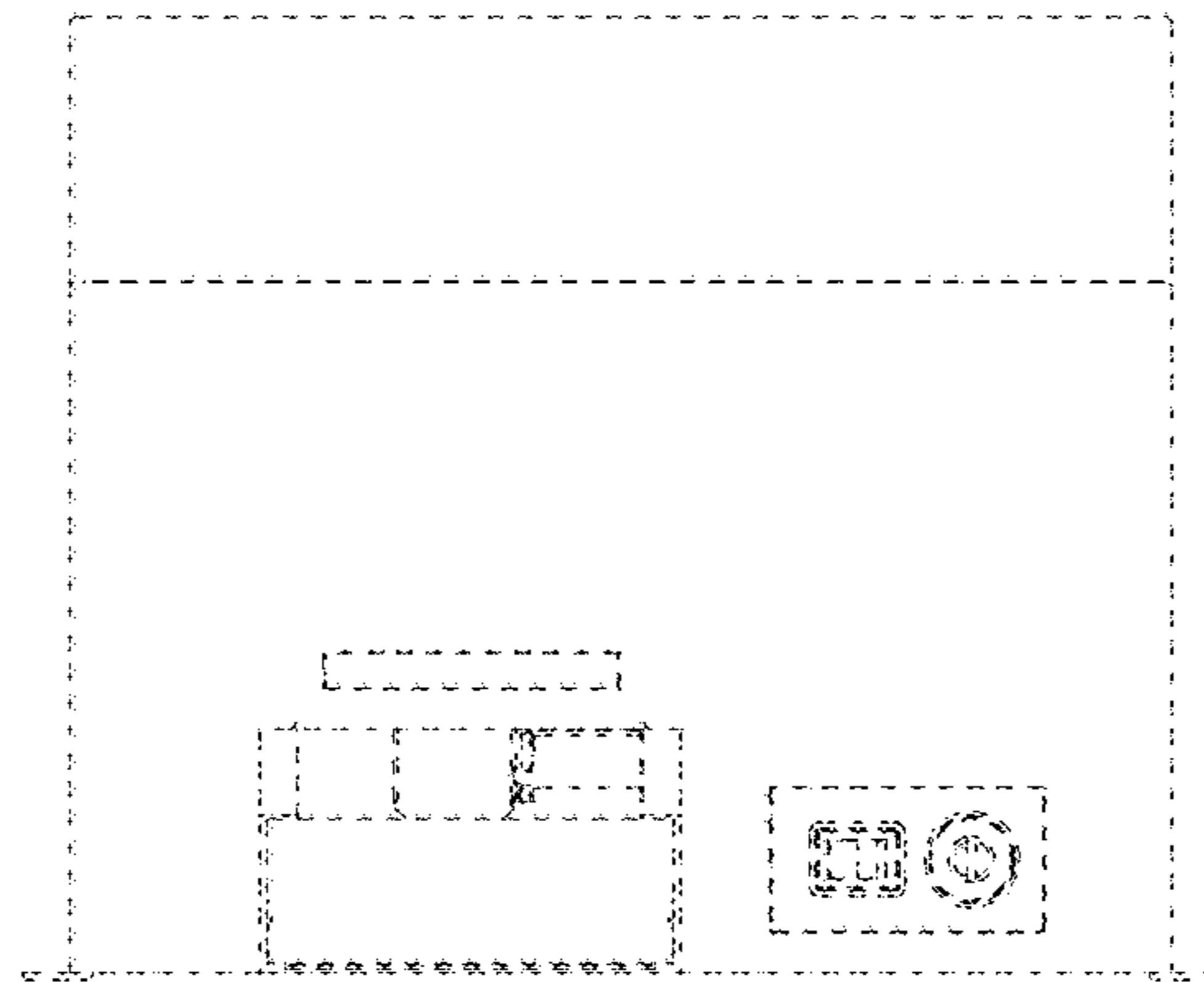


FIG. 3

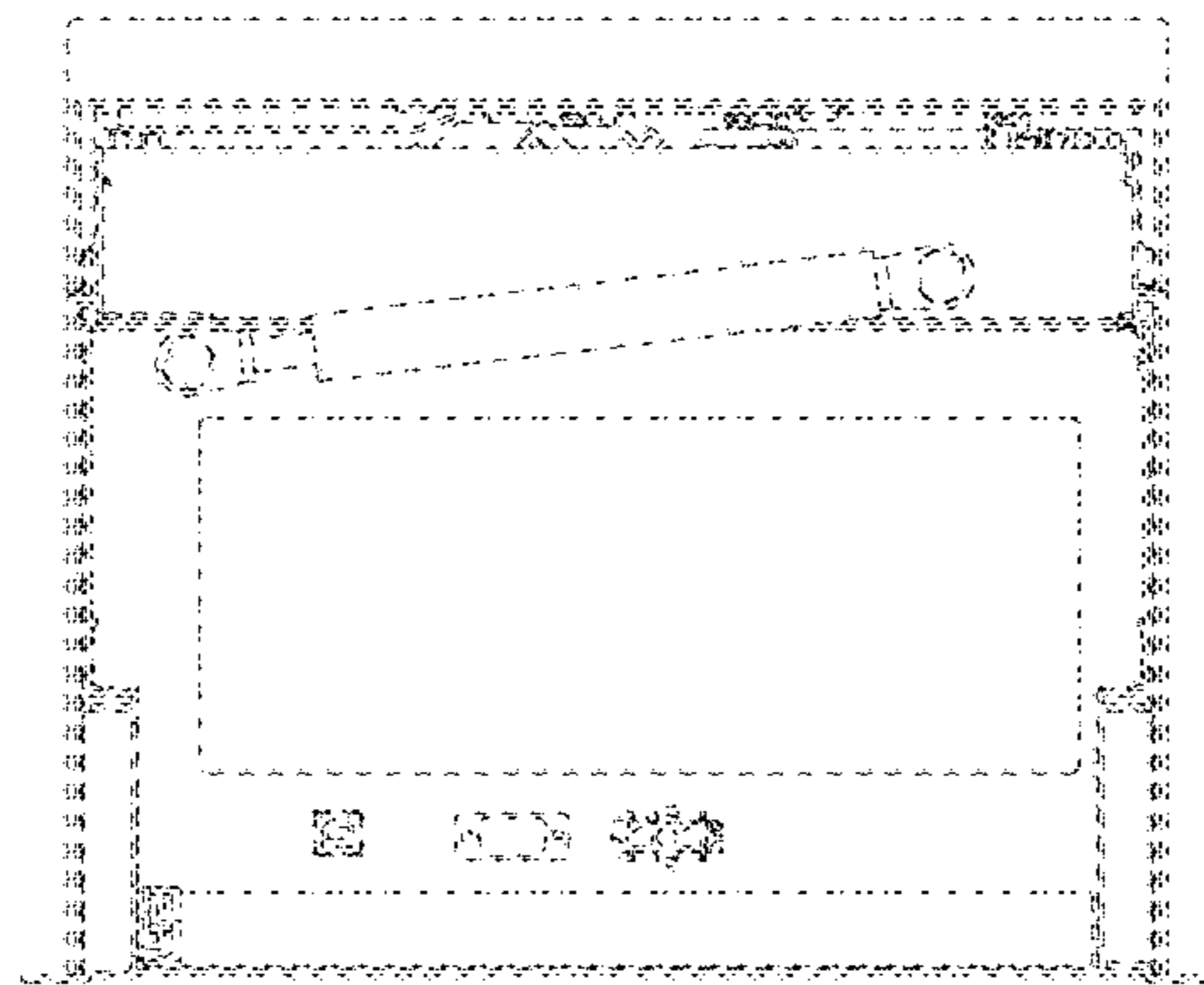


FIG. 4

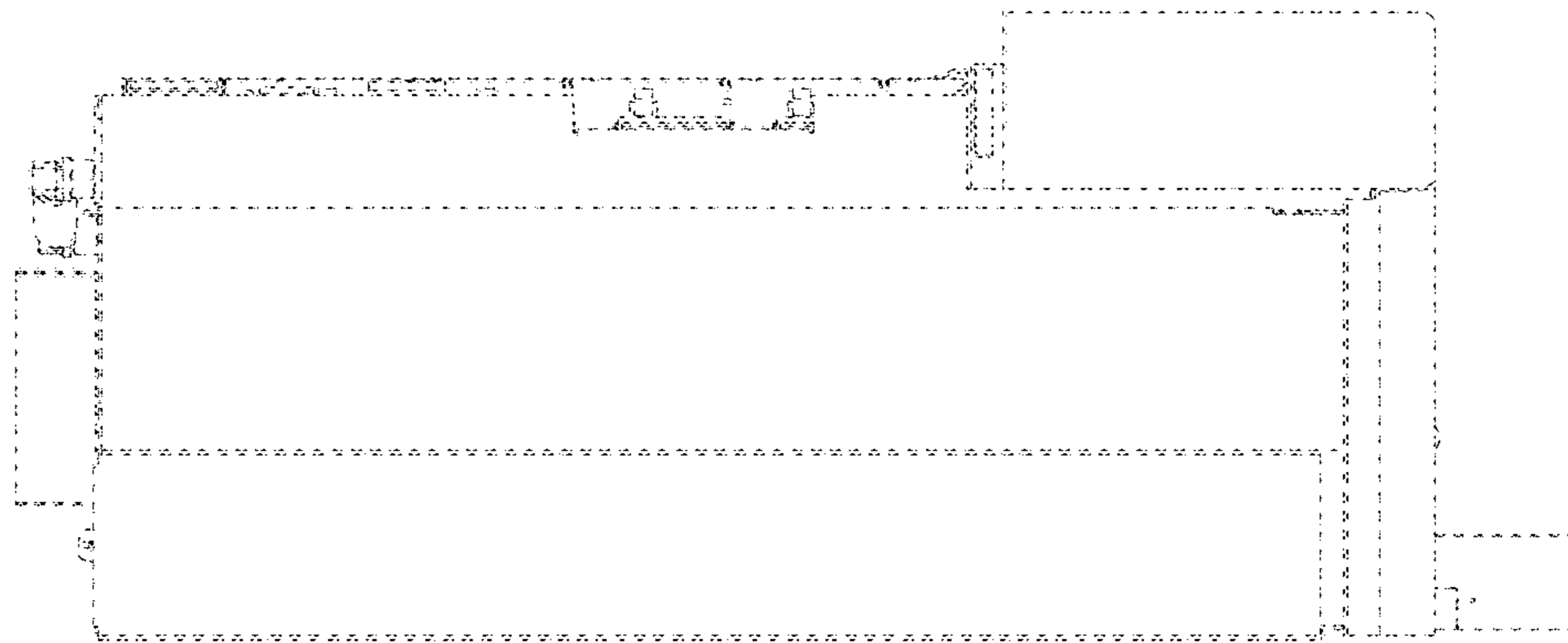


Fig. 5

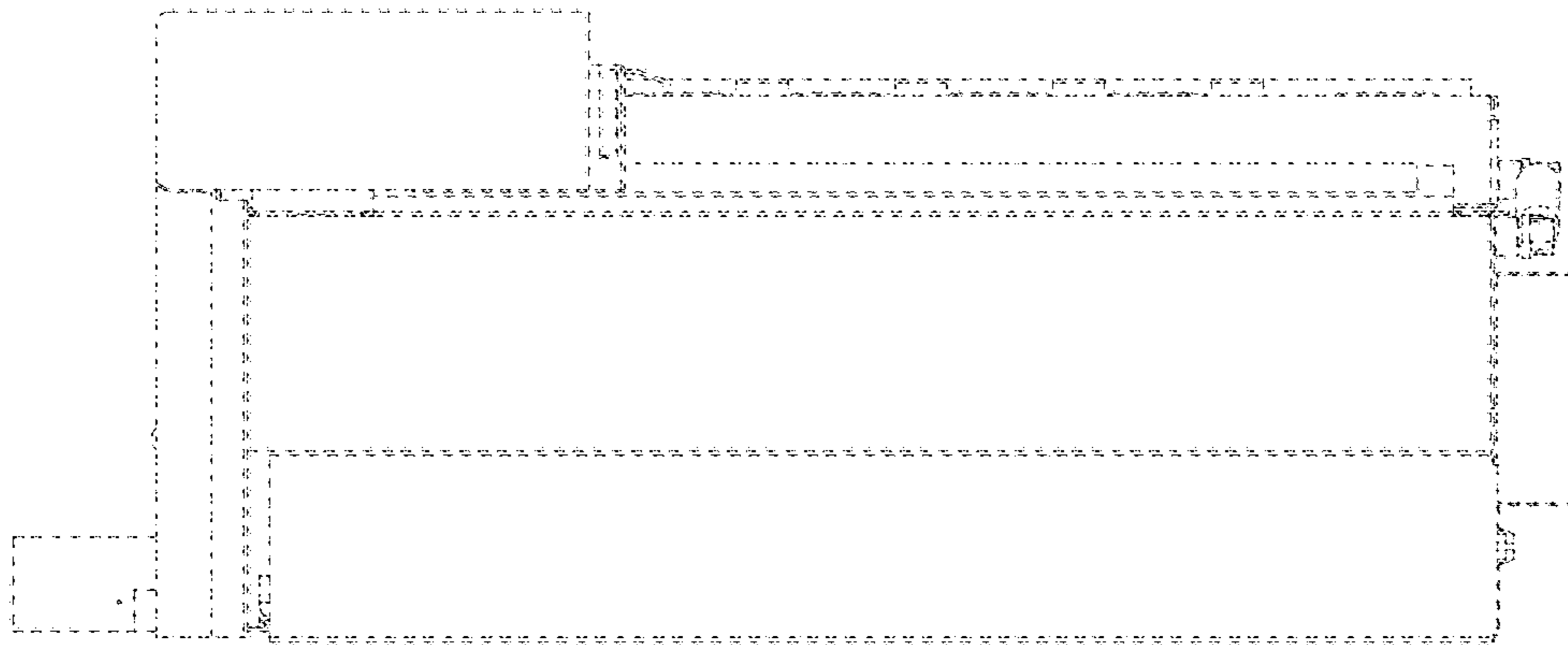


FIG. 6

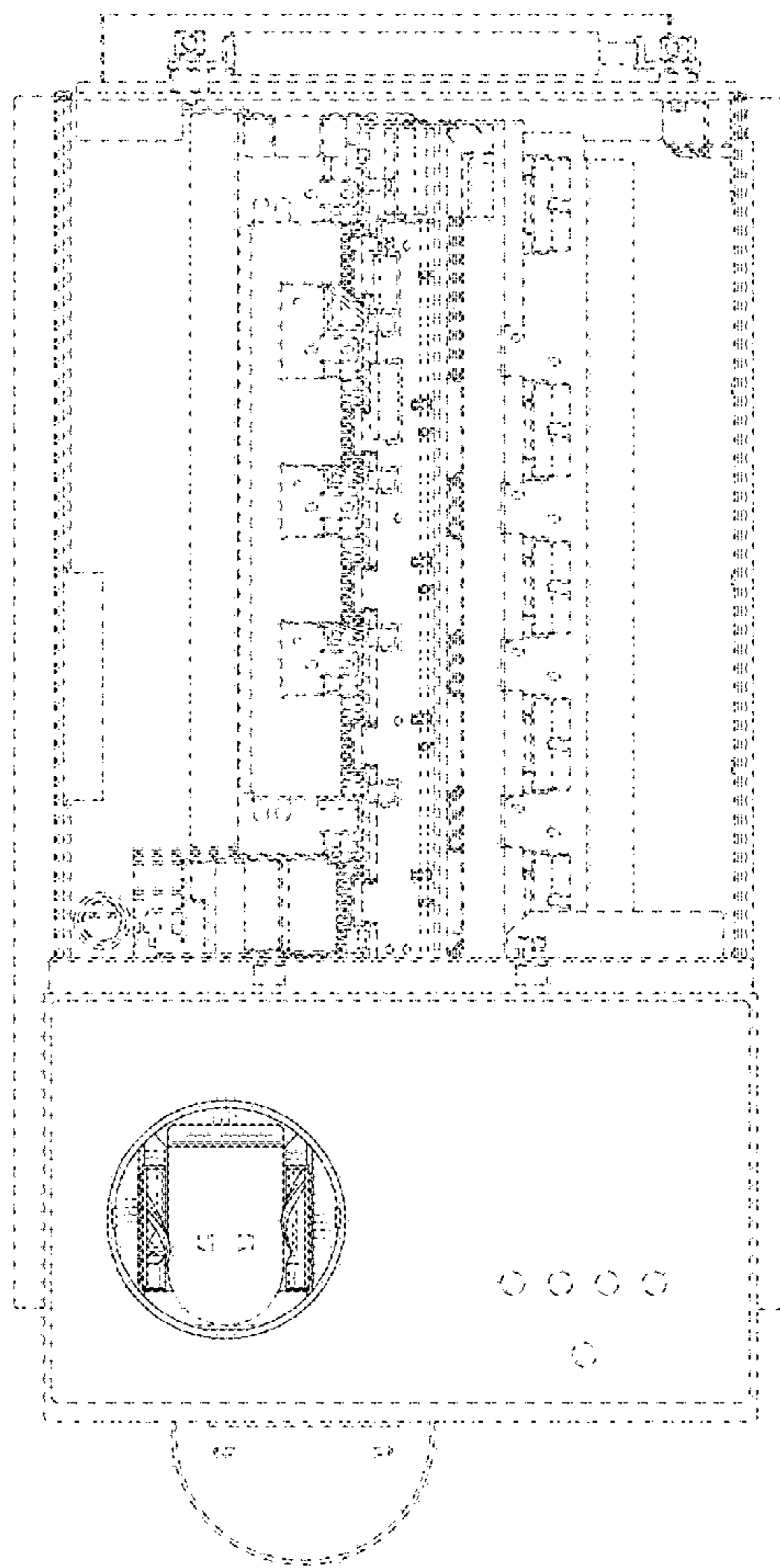




Fig. 7

