



US00D844047S

(12) **United States Design Patent**  
**Yeruva et al.**

(10) **Patent No.:** **US D844,047 S**  
(45) **Date of Patent:** **\*\* Mar. 26, 2019**

- (54) **TABLET WITH CARD READER**
- (71) Applicant: **Clover Network, Inc.**, Sunnyvale, CA (US)
- (72) Inventors: **Siva Raja Sekhar Reddy Yeruva**, Menlo Park, CA (US); **Sam Niansheng Qiu**, Palo Alto, CA (US); **David Frederick Lyons**, Palo Alto, CA (US); **Christopher Loew**, Palo Alto, CA (US); **Eric David Fuhs**, Sunnyvale, CA (US); **John Daniel Beatty**, Emerald Hills, CA (US); **Leonard Robert Speiser**, Los Altos, CA (US)
- (73) Assignee: **Clover Network, Inc.**, Sunnyvale, CA (US)
- (\*\*) Term: **15 Years**
- (21) Appl. No.: **29/590,922**
- (22) Filed: **Jan. 13, 2017**
- (51) **LOC (11) Cl.** ..... **18-01**
- (52) **U.S. Cl.**  
USPC ..... **D18/4.6**
- (58) **Field of Classification Search**  
USPC ..... D18/4.4, 4.5, 4.6, 2, 11, 50, 14, 19-21, D18/54, 99; D14/300, 307, 338, 339, D14/341, 356, 357, 383, 385, 386, 388, D14/426, 453-455, 496, 507, 509, 510, D14/154, 155, 158, 168, 218, 225, 226, D14/248, 299; D10/46, 61, 62, 70, D10/104.1, 104.2, 106.2, 106.6, 65, 66; D20/1; D13/168  
CPC ..... H04W 8/22; H04W 52/0225; H04W 52/0254; G06Q 20/00; G06Q 20/08; G06Q 20/20; G07F 7/0873; G07F 7/088; G07G 1/0009; G07G 1/0018  
See application file for complete search history.

- D626,550 S \* 11/2010 Julien ..... D14/341
- D638,012 S \* 5/2011 Tian ..... D18/4.6
- D643,034 S \* 8/2011 Tasselli ..... D14/347
- D659,565 S \* 5/2012 Bowman ..... D10/65
- D672,386 S \* 12/2012 Matunuma ..... D18/4.6
- D705,346 S \* 5/2014 Blacken ..... D18/14

(Continued)

**OTHER PUBLICATIONS**

Payment terminals. (Design—© Questel) orbit.com.[online PDF] 4 pgs. Publish Dates range from Oct. 7, 1996 to Jul. 30, 1997. [Retrieved on Apr. 18, 2018] <https://sobjprd.questel.fr/export/QPTUJ214/pdf2/42f9d9b6-3d46-4b6a-a535-82278b8d7432-214503.pdf>.\*

*Primary Examiner* — Marie D. Fast Horse  
(74) *Attorney, Agent, or Firm* — Daylight Law, P.C.

(57) **CLAIM**

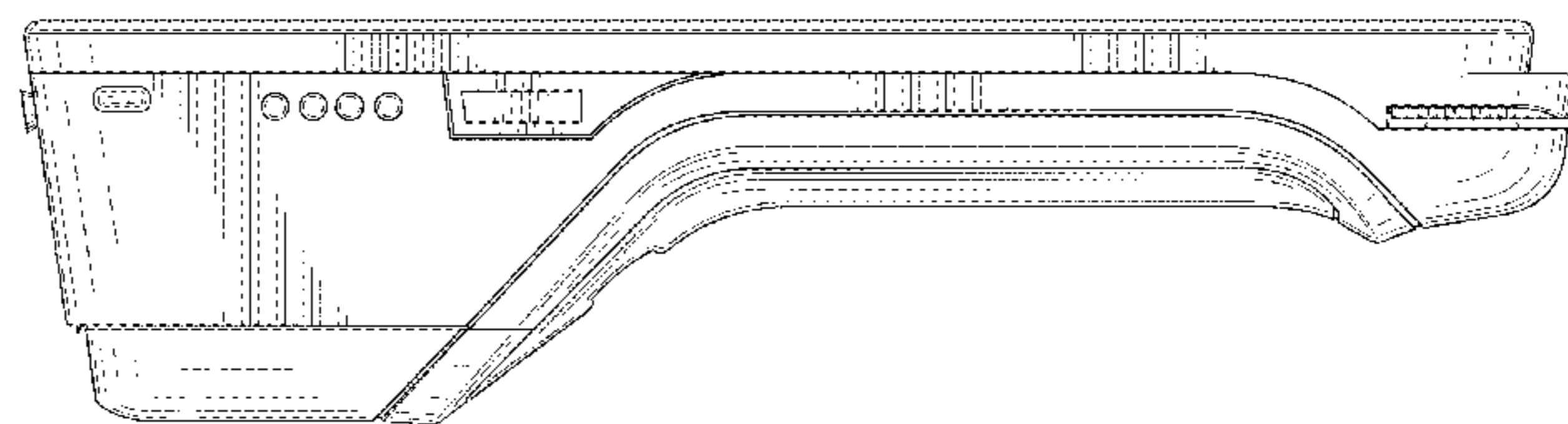
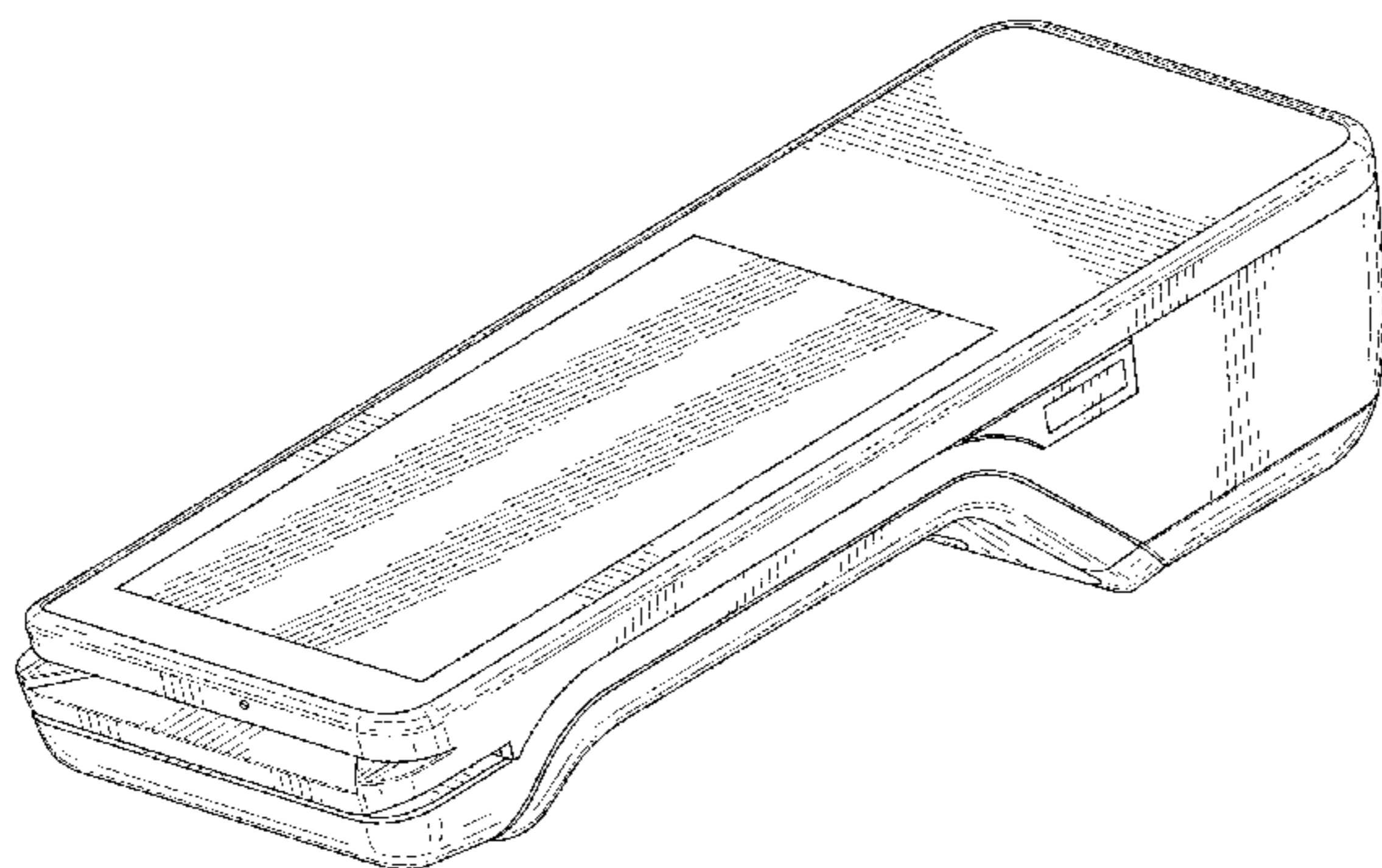
The ornamental design for a tablet with card reader, as shown and described.

**DESCRIPTION**

FIG. 1 is a perspective view of a tablet with card reader; FIG. 2 is a right side view of the design of FIG. 1; FIG. 3 is a left side view of the design of FIG. 1; FIG. 4 is a rear view of the design of FIG. 1; FIG. 5 is a front view of the design of FIG. 1; FIG. 6 is a top view of the design of FIG. 1; FIG. 7 is a bottom view of the design of FIG. 1; and, FIG. 8 is a perspective view of the design of FIG. 1 with a dock.  
The broken lines in FIG. 8 depict environmental subject matter only and form no part of the claim, while the remaining broken lines in the drawings depict portions of the tablet with card reader that form no part of the claimed design.

**1 Claim, 8 Drawing Sheets**

- (56) **References Cited**  
U.S. PATENT DOCUMENTS  
D469,761 S \* 2/2003 Nussberger ..... D14/385  
D624,115 S \* 9/2010 Ausems ..... G06Q 20/0453  
D18/4.6



(56)

**References Cited**

U.S. PATENT DOCUMENTS

D706,337 S \* 6/2014 Blacken ..... D18/14  
D716,371 S \* 10/2014 Lee ..... D18/4.4  
D741,816 S \* 10/2015 Kroll ..... D13/168  
D759,748 S \* 6/2016 Beatty ..... D18/14  
D762,766 S \* 8/2016 Bedier ..... D18/4.4  
D770,420 S \* 11/2016 Choi ..... D14/218  
D771,181 S \* 11/2016 Jung ..... D18/50  
D781,847 S \* 3/2017 Kim ..... D14/341  
D787,510 S \* 5/2017 Kitade ..... D14/341  
D790,536 S \* 6/2017 Kitade ..... D14/341  
9,721,439 B2 \* 8/2017 Tanaka ..... G07G 1/0018  
D806,158 S \* 12/2017 Yaginuma ..... D18/4.4  
D813,240 S \* 3/2018 Yeruva ..... D14/434  
2016/0335037 A1 \* 11/2016 Baranowski ..... G07G 1/0018  
2017/0061746 A1 \* 3/2017 Tanaka ..... G07G 1/0018

\* cited by examiner

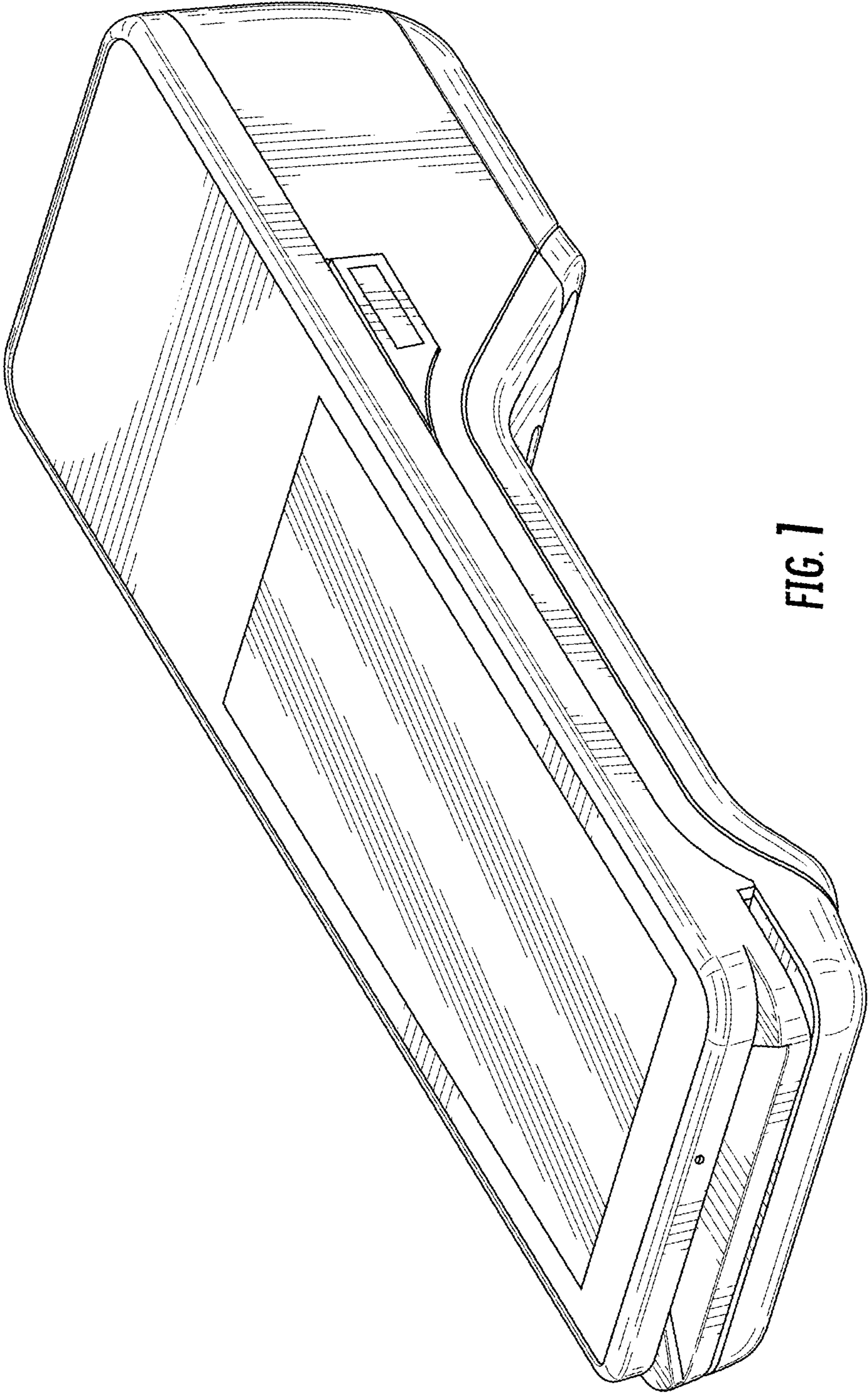


FIG. 1

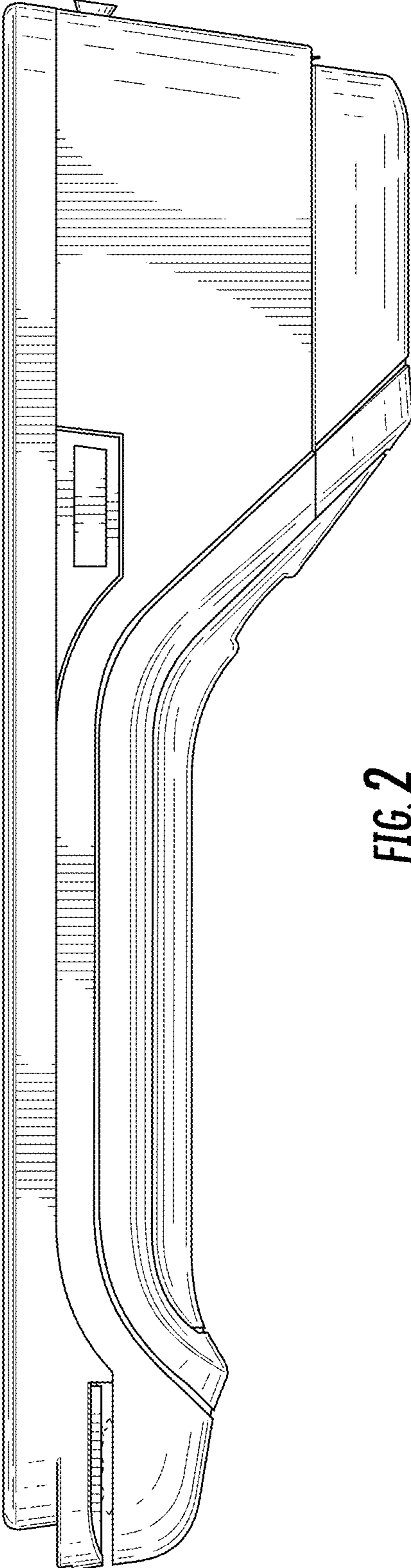


FIG. 2

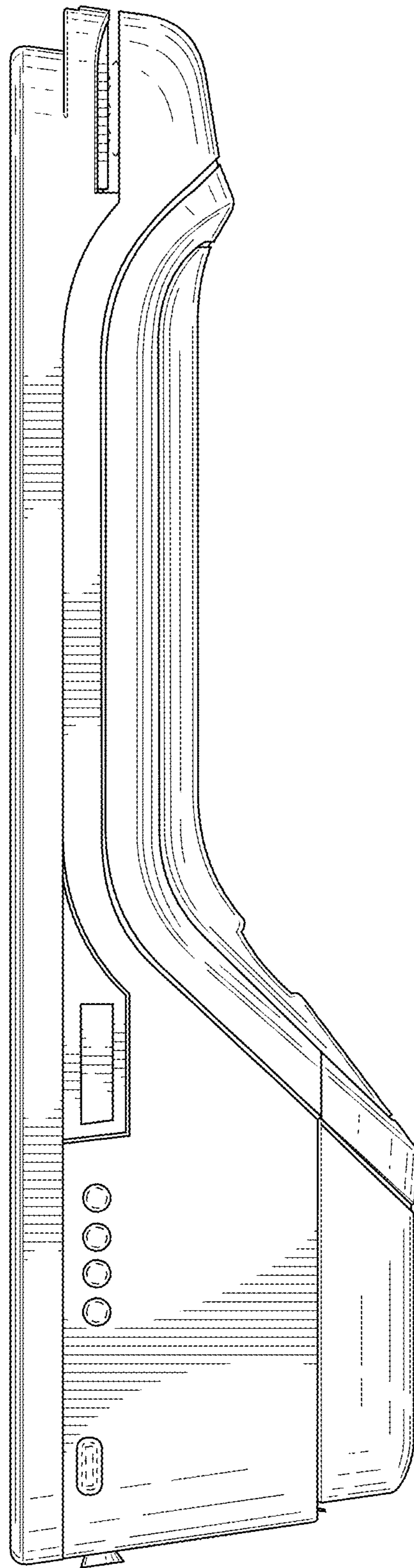


FIG. 3

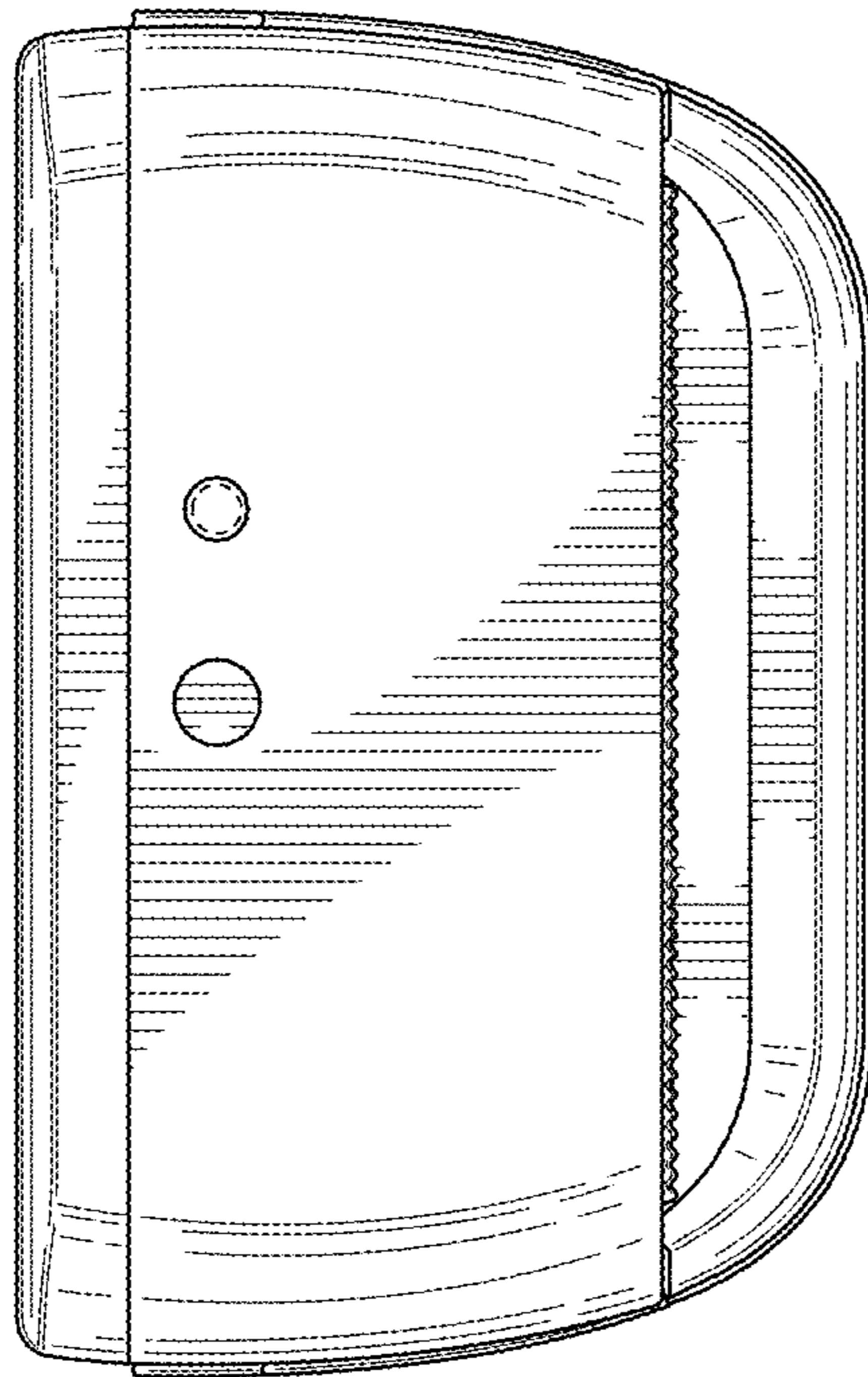


FIG. 4

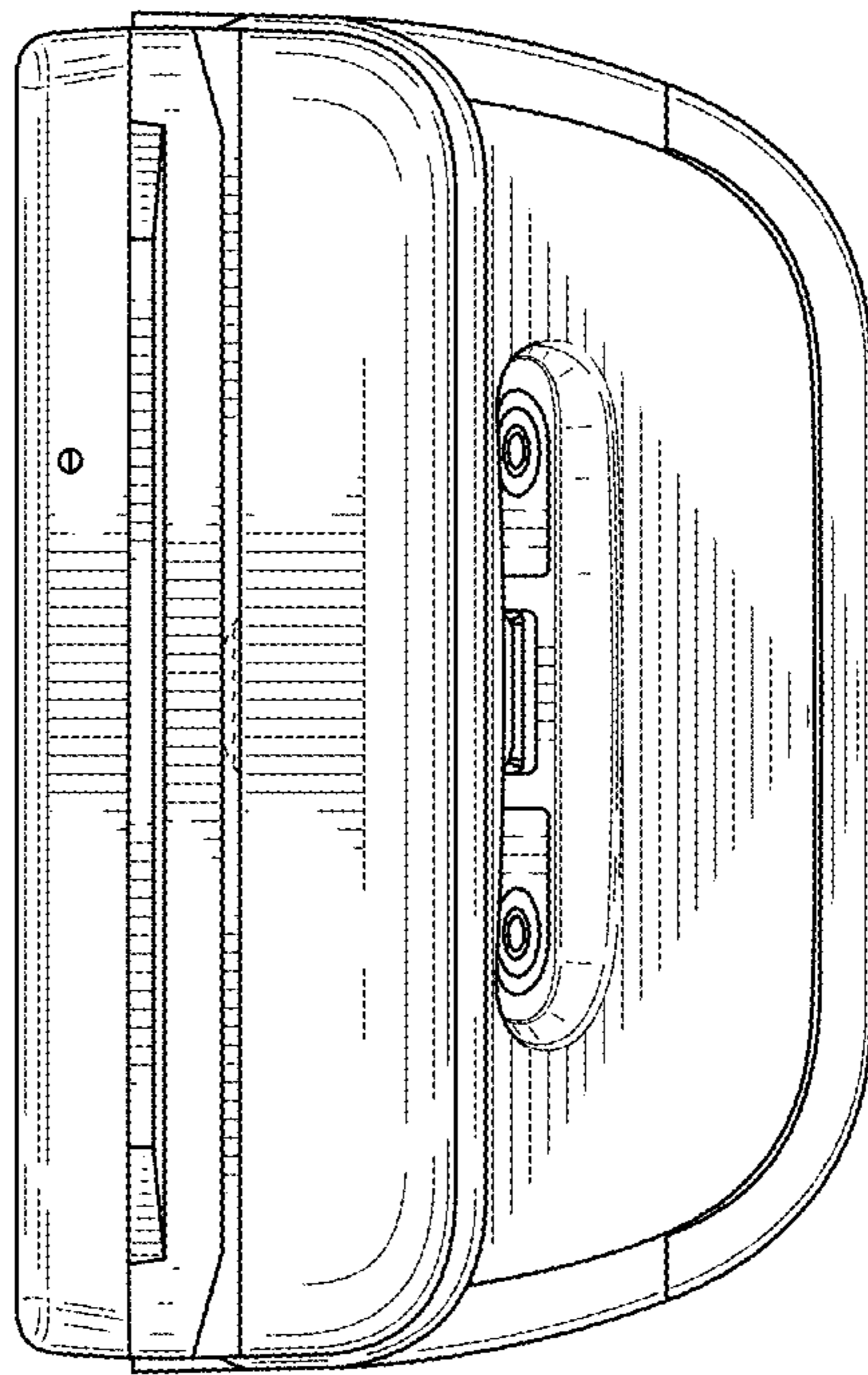


FIG. 5

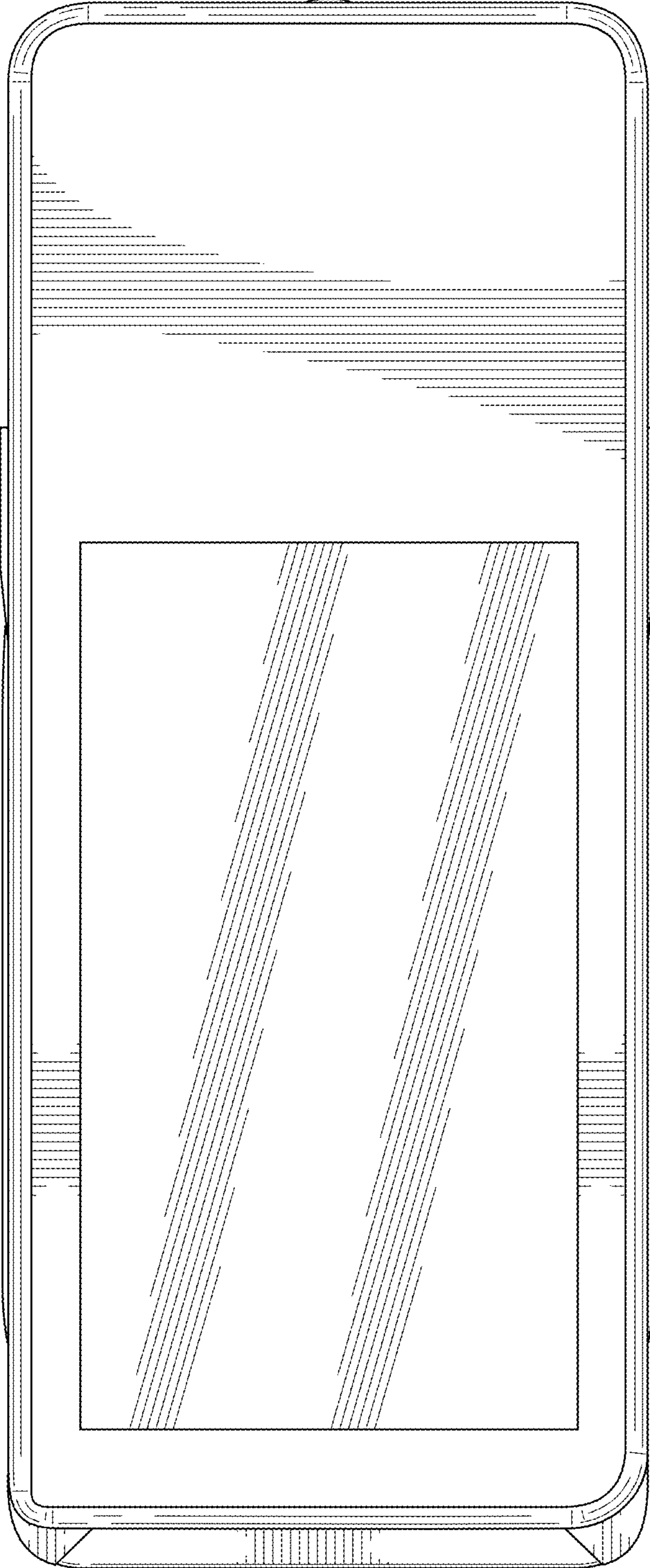


FIG. 6



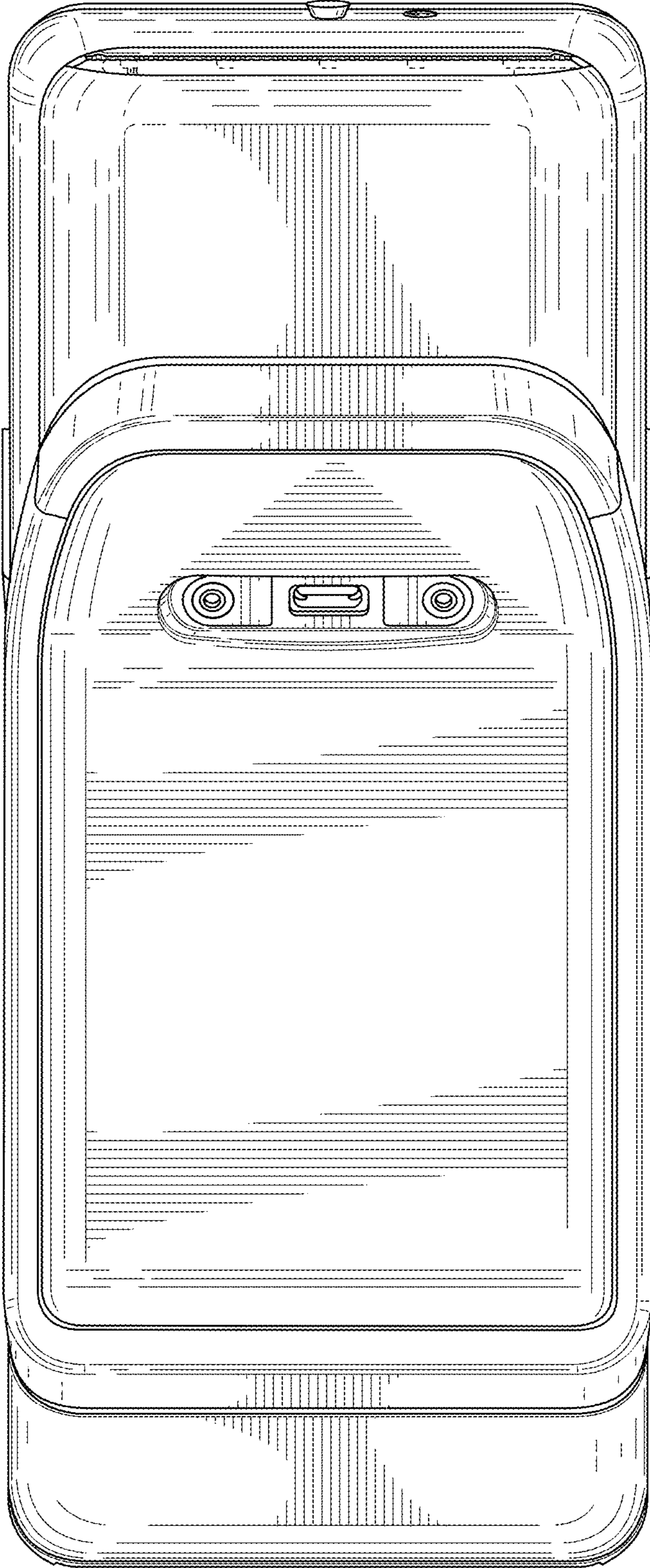


FIG. 7

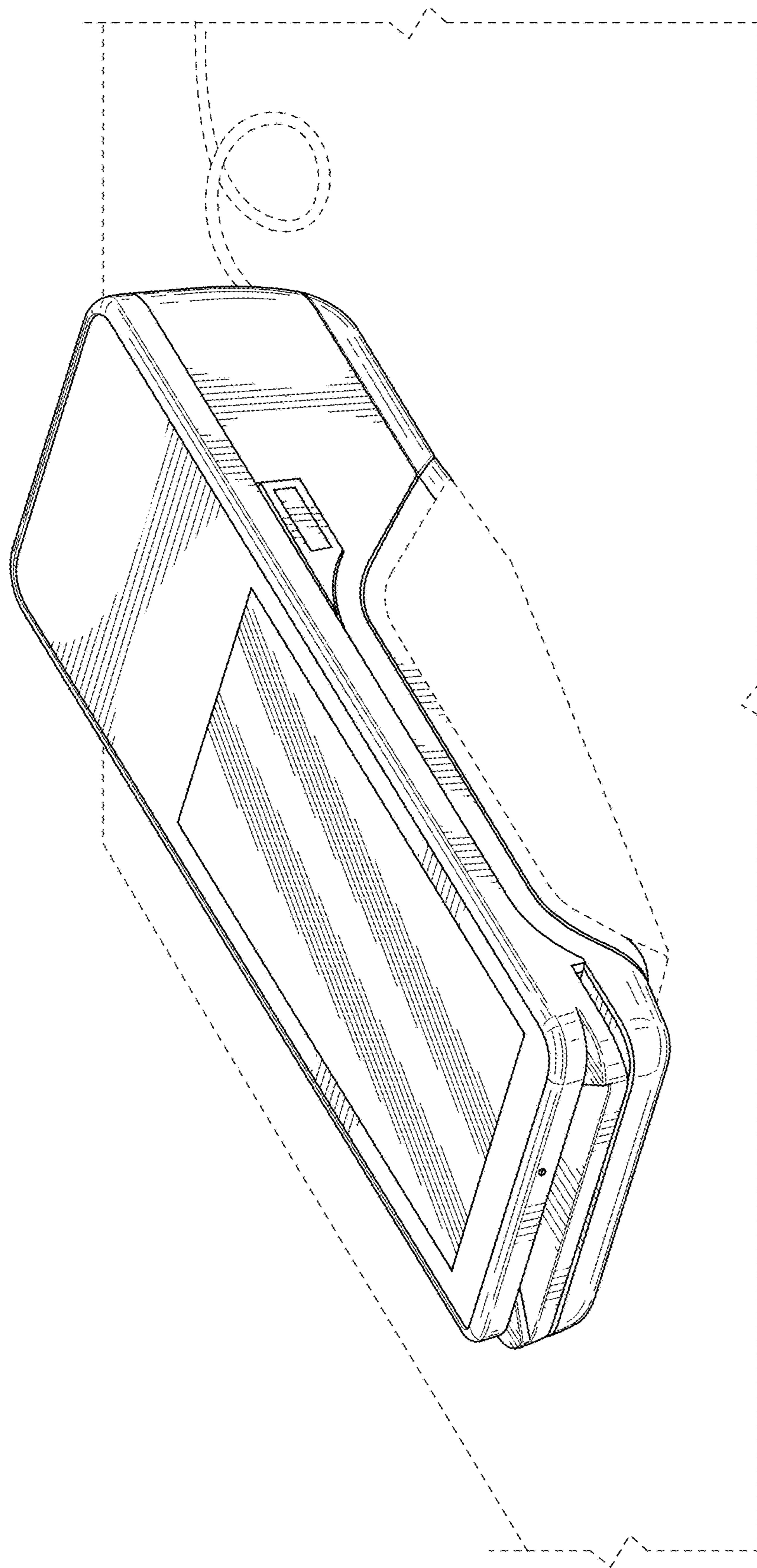


FIG. 8