



US00D844046S

(12) **United States Design Patent**
Yeruva et al.

(10) **Patent No.:** **US D844,046 S**
(45) **Date of Patent:** **** Mar. 26, 2019**

(54) **TERMINAL**

G06Q 20/20; G07F 7/0873; G07F 7/088;
G07G 1/0009; G07G 1/0018

(71) Applicant: **Clover Network, Inc.**, Sunnyvale, CA
(US)

See application file for complete search history.

(72) Inventors: **Siva Raja Sekhar Reddy Yeruva**,
Menlo Park, CA (US); **Sam Niansheng**
Qiu, Palo Alto, CA (US); **David**
Frederick Lyons, Palo Alto, CA (US);
Christopher Loew, Palo Alto, CA
(US); **Eric David Fuhs**, Sunnyvale, CA
(US); **John Daniel Beatty**, Emerald
Hills, CA (US); **Leonard Robert**
Speiser, Los Altos, CA (US)

(56) **References Cited**

U.S. PATENT DOCUMENTS

D350,555 S *	9/1994	Field	D16/221
D375,735 S *	11/1996	Tochishita	D14/144
D388,826 S *	1/1998	Jones-Fenleigh	D19/113
D410,441 S *	6/1999	Lin	D14/314
D436,951 S *	1/2001	Andresen	D14/336
D506,767 S *	6/2005	Imai	D16/200
D510,577 S *	10/2005	Jobs	D14/371
D529,910 S *	10/2006	Ota	D14/374
D635,975 S *	4/2011	Seo	D14/374
D682,830 S *	5/2013	Taunay da Graca Couto	D14/385
D694,206 S *	11/2013	Seo	D14/126
D707,288 S *	6/2014	Branck	D18/4.6
D709,069 S *	7/2014	Cruz	D14/385
D713,447 S *	9/2014	Balar	D18/4.6
D720,000 S *	12/2014	Lyons	D18/4.5
D724,582 S *	3/2015	Kim	D14/341
D734,280 S *	7/2015	Choi	D14/126
D735,802 S *	8/2015	Lyons et al.	
D746,902 S *	1/2016	Lyons	D18/4.5

(Continued)

Primary Examiner — Marie D. Fast Horse

(73) Assignee: **Clover Network, Inc.**, Sunnyvale, CA
(US)

(74) *Attorney, Agent, or Firm* — Daylight Law, P.C.

(**) **Term:** **15 Years**

(21) Appl. No.: **29/590,929**

(22) Filed: **Jan. 13, 2017**

(51) **LOC (11) Cl.** **18-01**

(52) **U.S. Cl.**
USPC **D18/4.5; D18/4.6**

(58) **Field of Classification Search**
USPC D18/4.4, 4.5, 4.6, 2, 11, 50, 14, 19–21,
D18/54, 99; D14/300, 307, 338, 339,
D14/341, 356, 357, 383, 385, 386, 388,
D14/426, 453–455, 496, 507, 509, 510,
D14/154, 155, 158, 168, 218, 225, 226,
D14/248, 299, 314, 328, 332, 335, 900,
D14/902; D10/46, 61, 62, 70, 104.1,
D10/104.2, 106.2, 106.6, 65, 66; D20/1;
D13/168

CPC H04W 8/22; H04W 52/0225; H04W
52/0254; G06Q 20/00; G06Q 20/08;

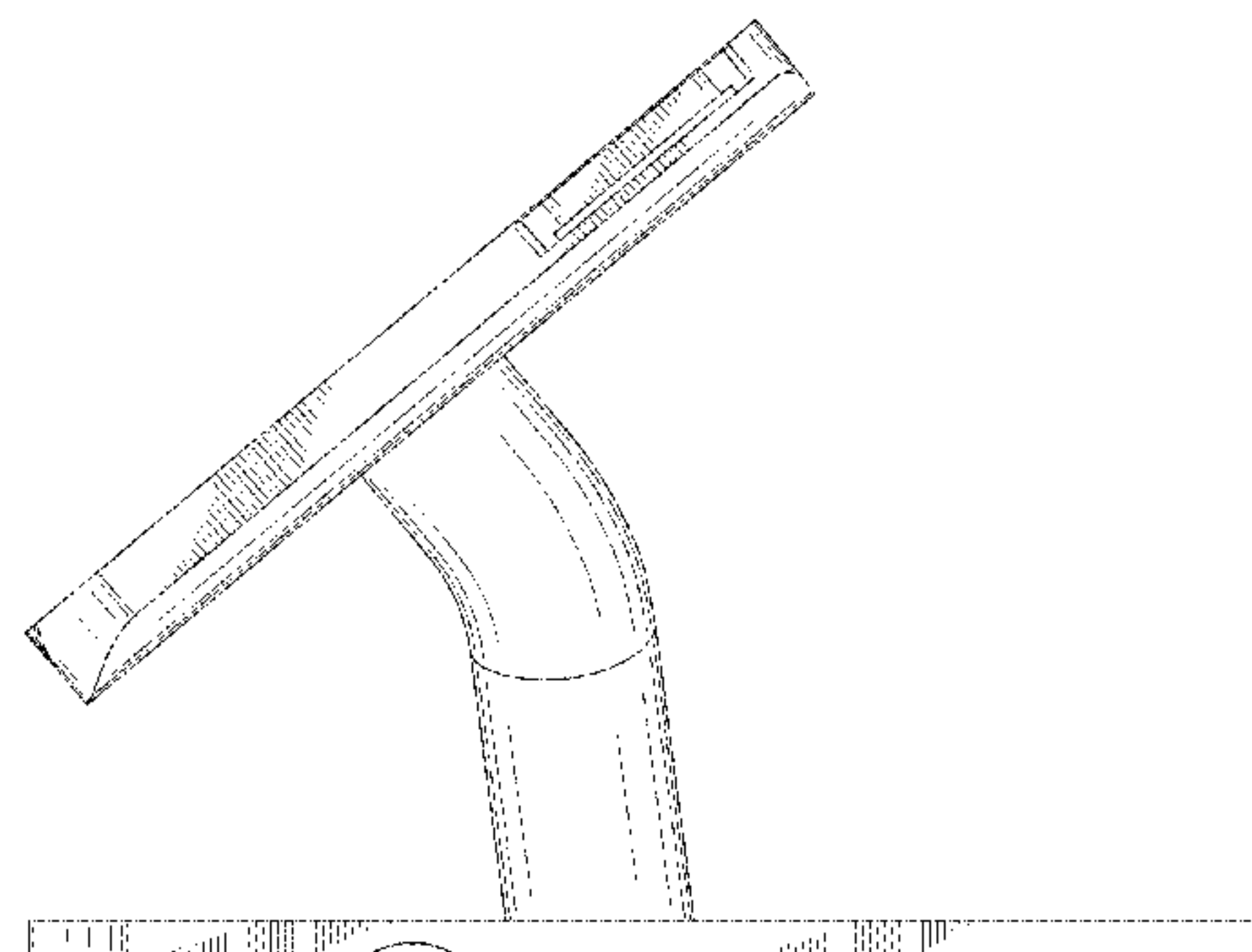
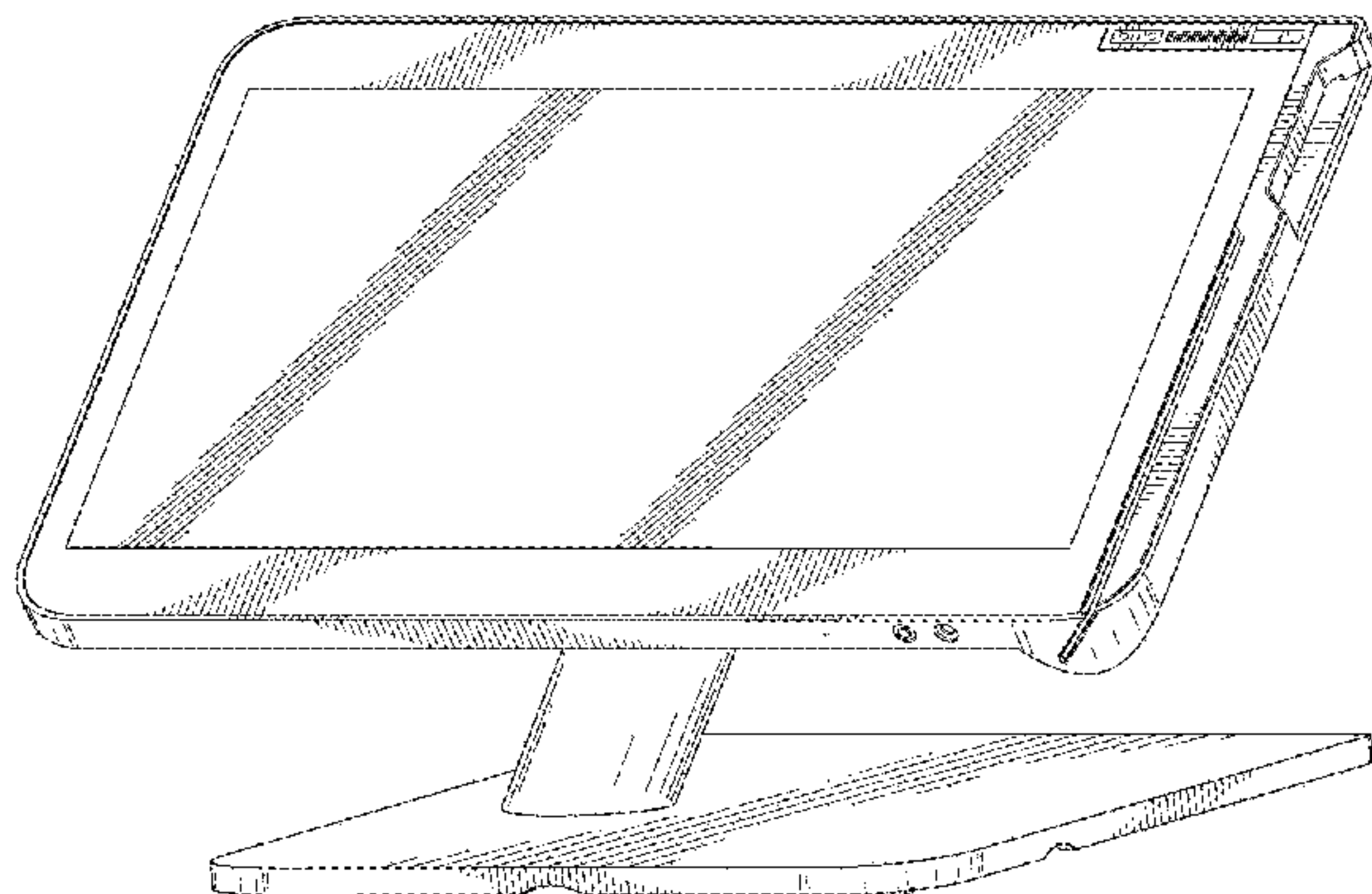
(57) **CLAIM**

The ornamental design for a terminal, as shown and described.

DESCRIPTION

FIG. 1 is a perspective view of a terminal;
FIG. 2 is a front view of the design of FIG. 1;
FIG. 3 is a rear view of the design of FIG. 1;
FIG. 4 is a right side view of the design of FIG. 1;
FIG. 5 is a left side view of the design of FIG. 1;
FIG. 6 is a top view of the design of FIG. 1; and,
FIG. 7 is a bottom view of the design of FIG. 1.

(Continued)



The broken lines in the drawings depict portions of the terminal that form no part of the claim.

1 Claim, 7 Drawing Sheets

(56)

References Cited

U.S. PATENT DOCUMENTS

D761,350	S	*	7/2016	Beatty	D18/12
D761,899	S	*	7/2016	Beatty	D18/4.6
D778,982	S	*	2/2017	Beatty	D18/4.5
D792,392	S	*	7/2017	Sharma	D14/341
D794,629	S	*	8/2017	Jiang	D14/341
D814,559	S	*	4/2018	Oross	D18/4.4
D823,303	S	*	7/2018	Jiang	D14/345
2015/0241919	A1	*	8/2015	Beatty	G06F 1/1632 361/679.44
2016/0070964	A1	*	3/2016	Conrad	G06F 1/1632 348/150
2018/0033255	A1	*	2/2018	Beatty	G06Q 20/202

* cited by examiner

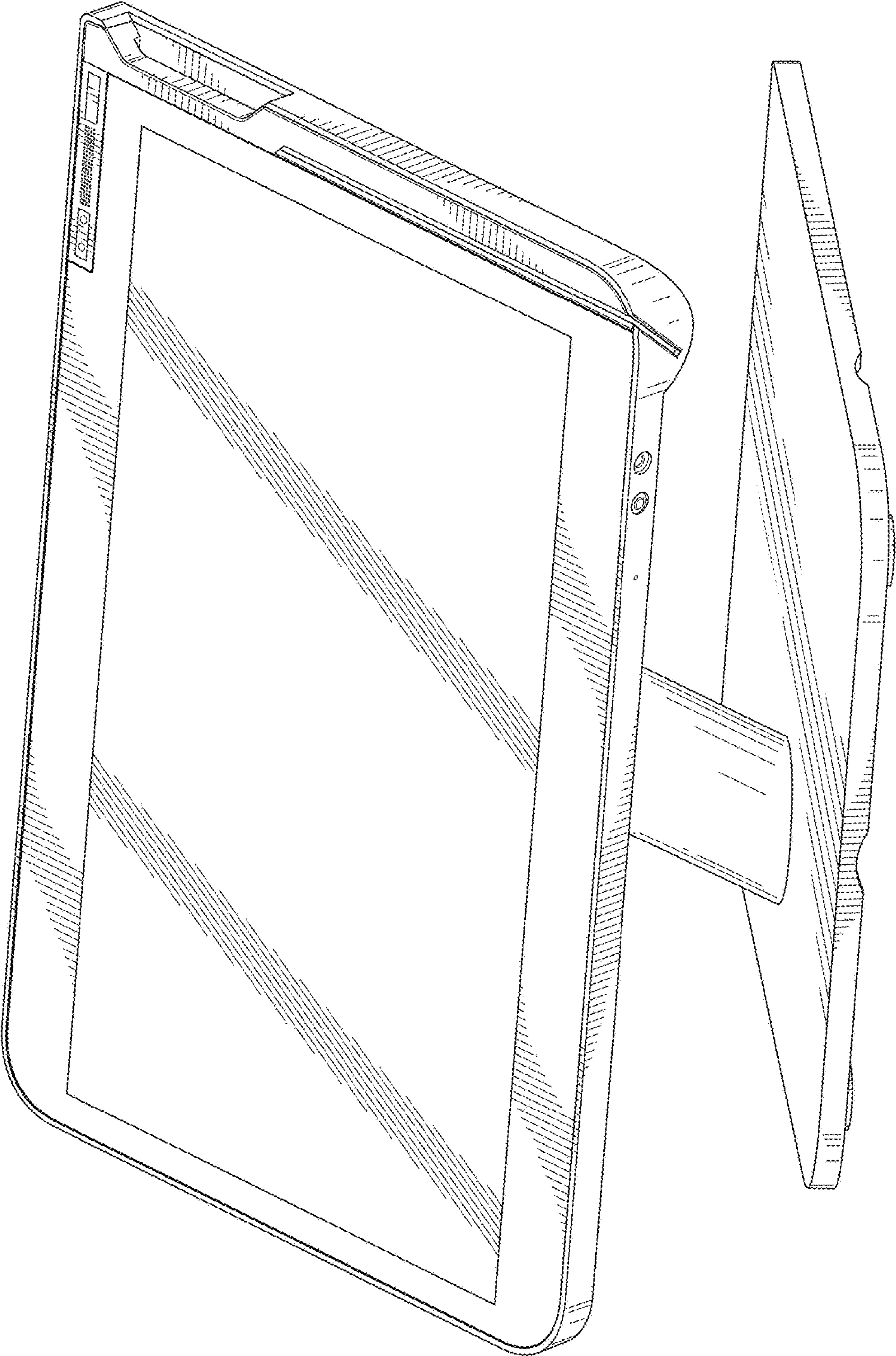


FIG. 1

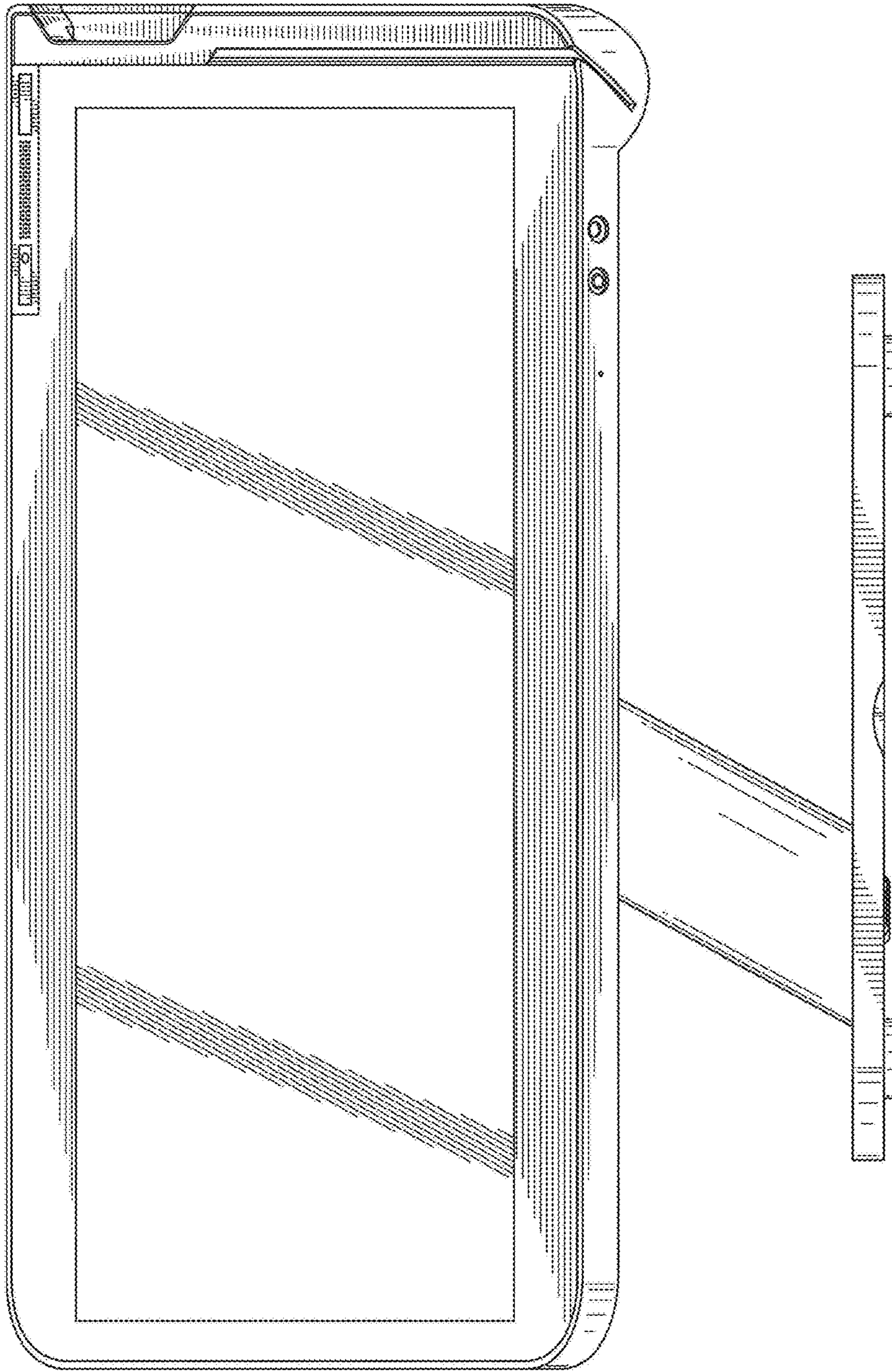


FIG. 2

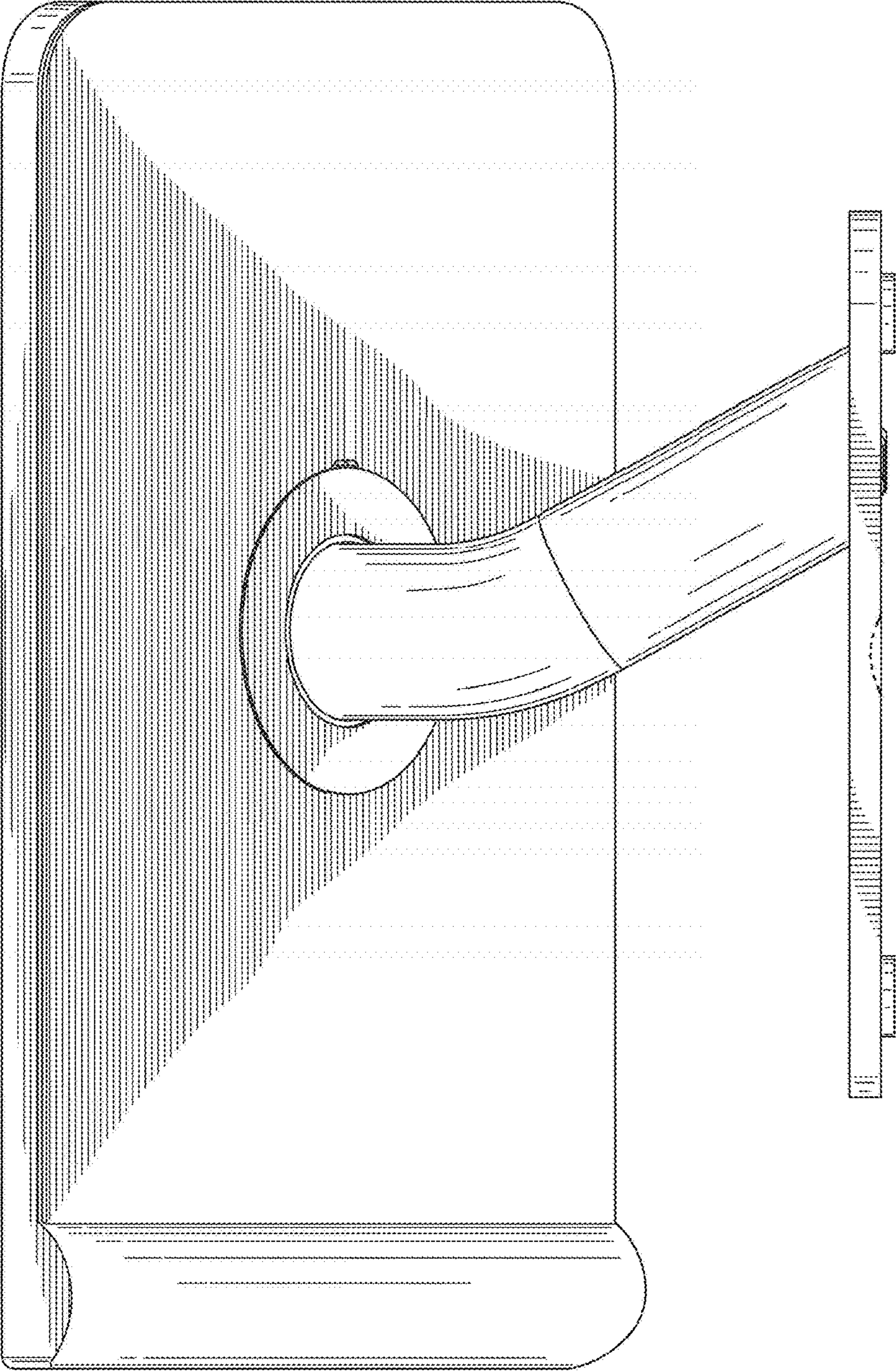


FIG. 3

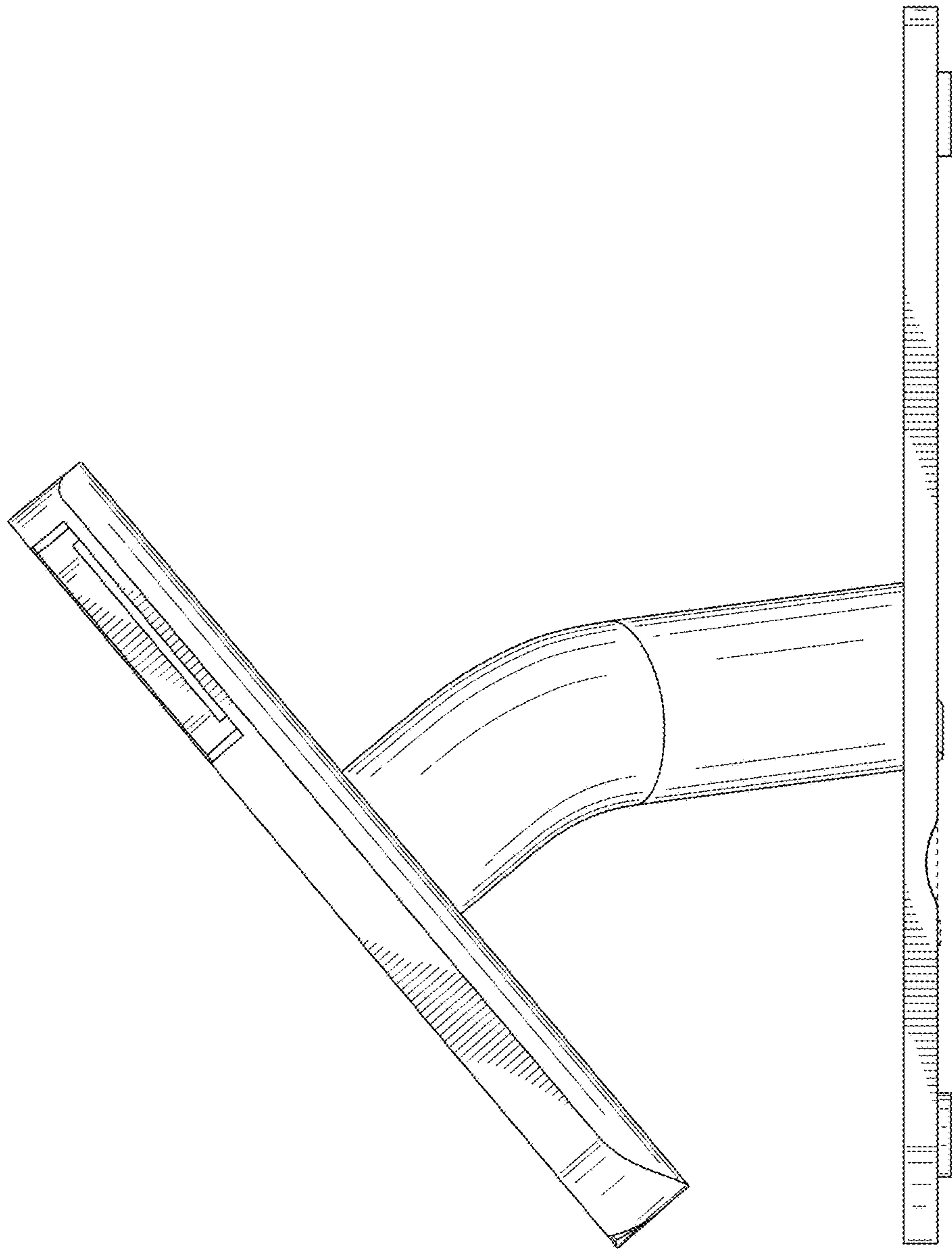


FIG. 4

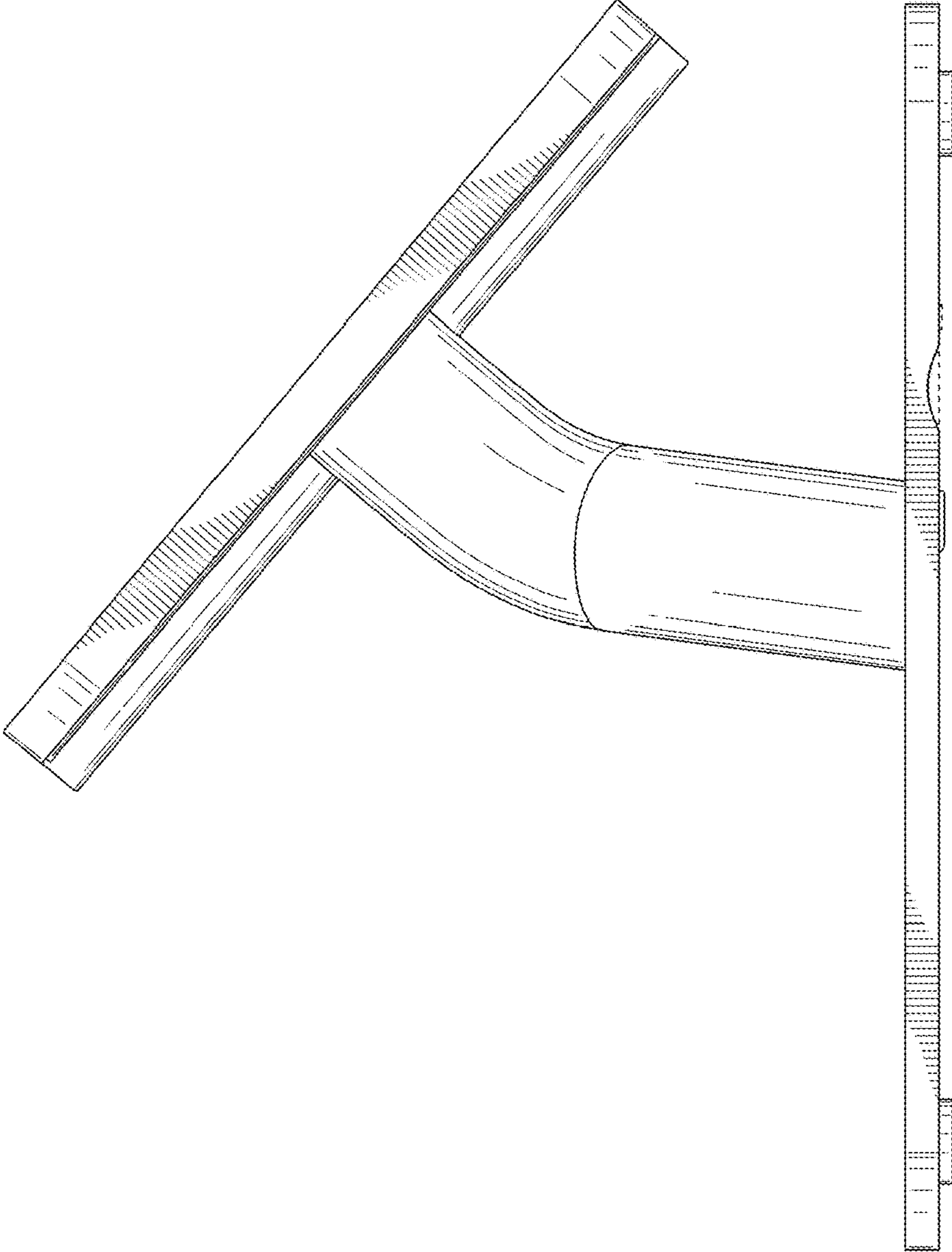


FIG. 5

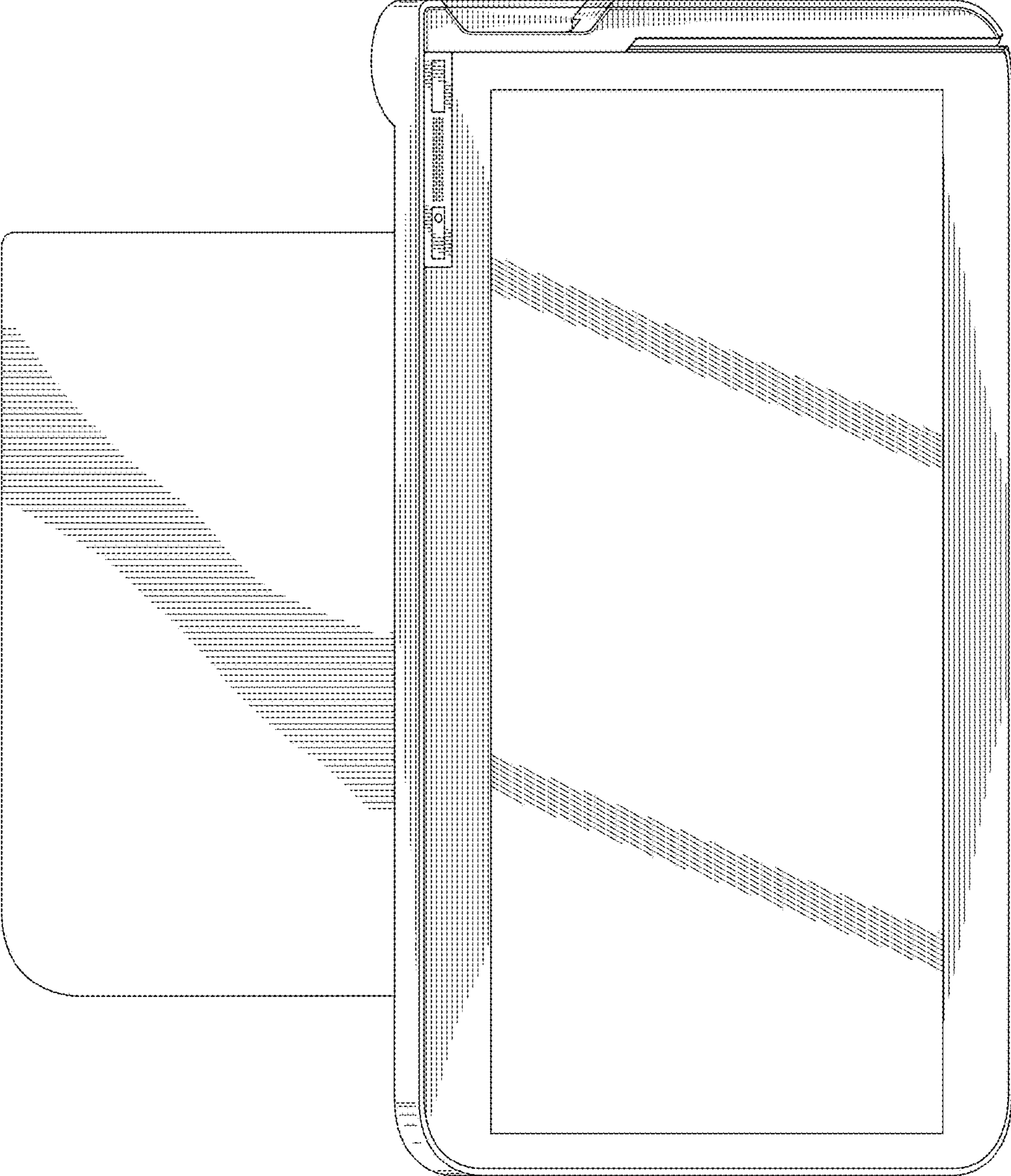


FIG. 6

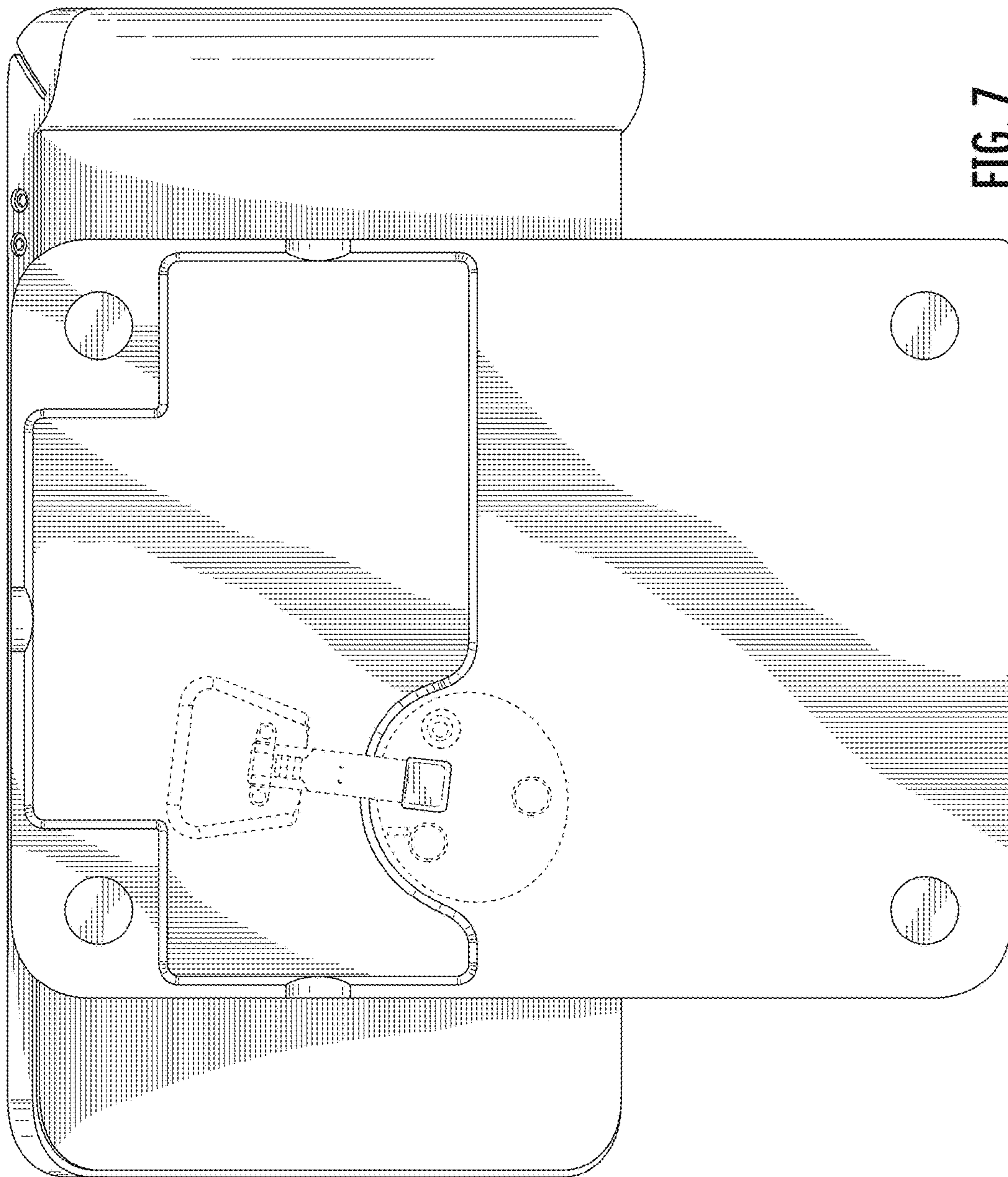


FIG. 7