



US00D844045S

(12) **United States Design Patent**
Umeda

(10) **Patent No.:** **US D844,045 S**
(45) **Date of Patent:** **** Mar. 26, 2019**

(54) **COIN DEPOSITING AND DISPENSING APPARATUS**

(71) Applicant: **ASAHI SEIKO CO., LTD.**, Tokyo (JP)

(72) Inventor: **Masayoshi Umeda**, Saitama (JP)

(73) Assignee: **ASAHI SEIKO CO., LTD.**, Minato-ku, Tokyo (JP)

(**) Term: **15 Years**

(21) Appl. No.: **29/591,371**

(22) Filed: **Jan. 19, 2017**

(30) **Foreign Application Priority Data**

Sep. 5, 2016 (JP) 2016-019011

(51) **LOC (11) Cl.** **18-01**

(52) **U.S. Cl.**
USPC **D18/3.1; D99/34**

(58) **Field of Classification Search**

USPC D18/3.1, 3.2, 3.3, 12, 12.1, 46, 47, 49;
D14/900, 901, 902; D99/28, 34-36, 43,
D99/99; D10/97; D20/1, 2, 4, 5, 6, 8, 9
CPC .. G07D 1/00; G07D 1/02; G07D 3/00; G07D
3/14; G07D 3/16; G07D 9/00; G07D
9/002; G07D 9/008; G07D 9/02; G07D
11/00; G07D 11/0018; G07D 2201/00;
G07F 1/00; G07F 1/04; G07F 3/00; G07F
3/04

See application file for complete search history.

(56) **References Cited**

U.S. PATENT DOCUMENTS

1,460,878 A * 7/1923 Allen G07D 1/00
453/29
D110,082 S * 6/1938 Bogress D18/3.1
4,047,538 A * 9/1977 Sahni G07D 1/00
221/266

D279,792 S * 7/1985 Childers D18/3.1
D279,793 S * 7/1985 Childers D18/3.1
D279,794 S * 7/1985 Childers D18/3.1
5,062,598 A * 11/1991 Winkler G07D 11/0018
221/21
D329,256 S * 9/1992 Nakajima D20/9
D335,149 S * 4/1993 Dabrowski D20/1
D343,717 S * 1/1994 Nakajima D99/34
D371,887 S * 7/1996 Minagawa D99/28

(Continued)

FOREIGN PATENT DOCUMENTS

JP 1194323 S 1/2004
JP 1235081 S 4/2005

(Continued)

Primary Examiner — Marie D. Fast Horse

(74) *Attorney, Agent, or Firm* — Sughrue Mion, PLLC

(57) **CLAIM**

The ornamental design for a coin depositing and dispensing apparatus, as shown and described.

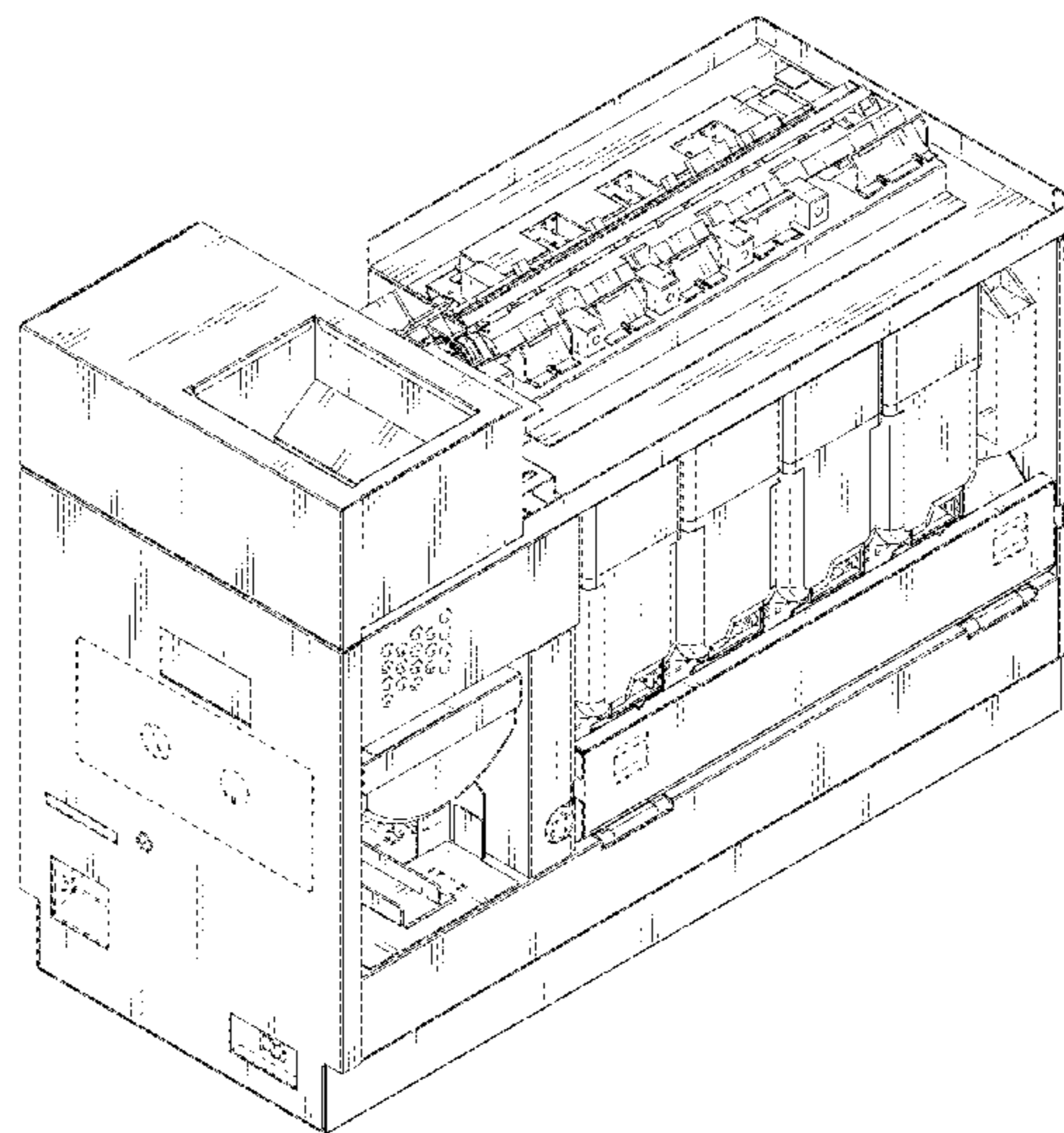
DESCRIPTION

FIG. 1 is a perspective view of a coin depositing and dispensing apparatus showing our new design; FIG. 2 is a front view thereof; FIG. 3 is a rear view thereof; FIG. 4 is a left side view thereof; FIG. 5 is a right side view thereof; FIG. 6 is a top plan view thereof; and, FIG. 7 is a bottom view thereof.

The broken lines in the drawings depict portions of the coin depositing and dispensing apparatus that form no part of the claimed design.

The different shading techniques used depict a contrast of appearance only and does not represent a particular color, material, or texture.

1 Claim, 7 Drawing Sheets



(56)

References Cited

U.S. PATENT DOCUMENTS

5,562,536 A * 10/1996 Uchida G07D 3/06
453/12
D409,354 S * 5/1999 Skoog D18/3.1
5,899,804 A * 5/1999 Chiba G07D 1/00
194/346
D428,045 S * 7/2000 Stettes D18/3.1
D436,120 S * 1/2001 Nottingham D18/3.1
D437,879 S * 2/2001 Weinandt D14/240
D448,040 S * 9/2001 Forslund D18/3.1
D452,873 S * 1/2002 Nakao D18/3.1
D454,421 S * 3/2002 Jeon D18/3.3
D507,690 S * 7/2005 Philipson D18/3.1
D523,468 S * 6/2006 Umeda D18/3.1
D540,391 S * 4/2007 Irie D20/9
D562,377 S * 2/2008 Kuroda D18/3.1
D626,171 S * 10/2010 Von Heifner D18/3.1
D644,815 S * 9/2011 Helm D99/34
D650,007 S * 12/2011 Inage D18/3.3
D686,273 S * 7/2013 Kurokawa D18/3.3
D724,813 S * 3/2015 Umeda D99/34
D725,865 S * 3/2015 Cho D99/28
D764,468 S * 8/2016 Yamamiya D14/385
D766,540 S * 9/2016 Lee D99/28
D767,239 S * 9/2016 Umeda D99/34
D774,722 S * 12/2016 Yeon D99/28
D810,189 S * 2/2018 Enomoto D18/3.1
2001/0008831 A1 * 7/2001 Mori G07D 1/02
453/3
2003/0201146 A1 * 10/2003 Abe G07D 1/02
194/302
2006/0040603 A1 * 2/2006 Nishimura G07D 1/00
453/3
2006/0183418 A1 * 8/2006 Umeda G07D 1/02
453/12
2007/0060033 A1 * 3/2007 Kotani G07D 9/00
453/56
2007/0087675 A1 * 4/2007 Umeda G07D 3/14
453/3

2007/0149102 A1 * 6/2007 Umeda G07D 9/00
453/56
2008/0053786 A1 * 3/2008 Oie G06Q 20/203
194/206
2008/0171508 A1 * 7/2008 Enomoto G07D 1/00
453/18
2009/0057423 A1 * 3/2009 Nobuhara G07D 1/00
235/7 A
2009/0227193 A1 * 9/2009 Tanaka G07D 1/02
453/3
2010/0038419 A1 * 2/2010 Blake G07D 9/008
235/379
2010/0062700 A1 * 3/2010 Nakazumi G07D 1/00
453/19
2011/0263190 A1 * 10/2011 Stump G07D 3/06
453/3
2012/0199438 A1 * 8/2012 Taniike G07F 5/24
194/344
2012/0217127 A1 * 8/2012 Yasui G07D 9/00
194/342
2013/0035024 A1 * 2/2013 Okawa 453/18
2013/0037376 A1 * 2/2013 Nakagawa G07D 9/00
194/215
2013/0052926 A1 * 2/2013 Taniike G07D 3/16
453/58
2014/0030972 A1 * 1/2014 Bengtsson G07D 3/14
453/3

FOREIGN PATENT DOCUMENTS

JP 1253309 S 10/2005
JP 1495297 S 4/2014
JP 1495298 S 4/2014
JP 1495299 S 4/2014
JP 1547427 S 4/2016
JP 1547428 S 4/2016
JP 1547446 S 4/2016
JP 2017151818 A * 8/2017 G07D 9/00

* cited by examiner

FIG. 1

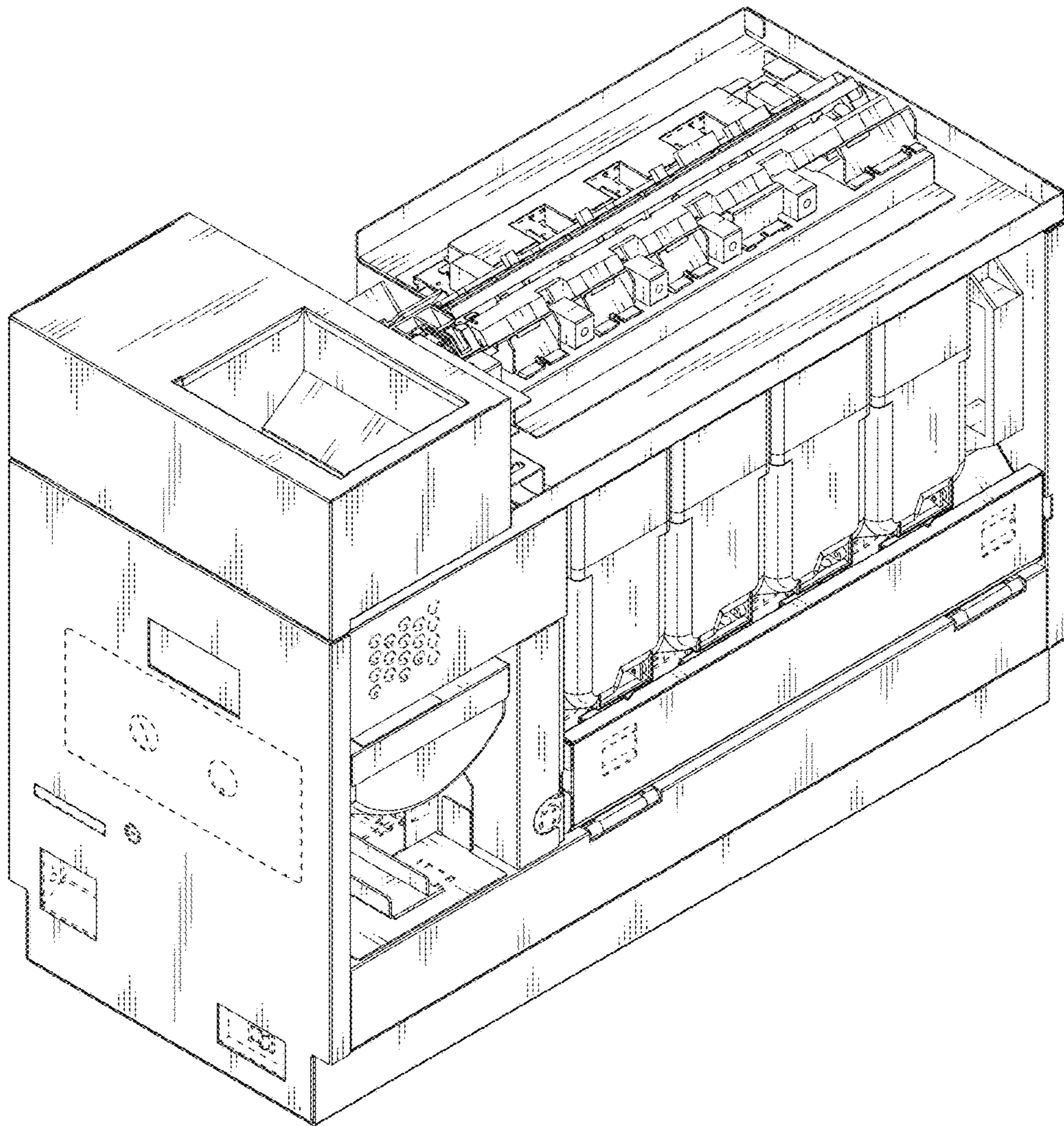


Fig. 2

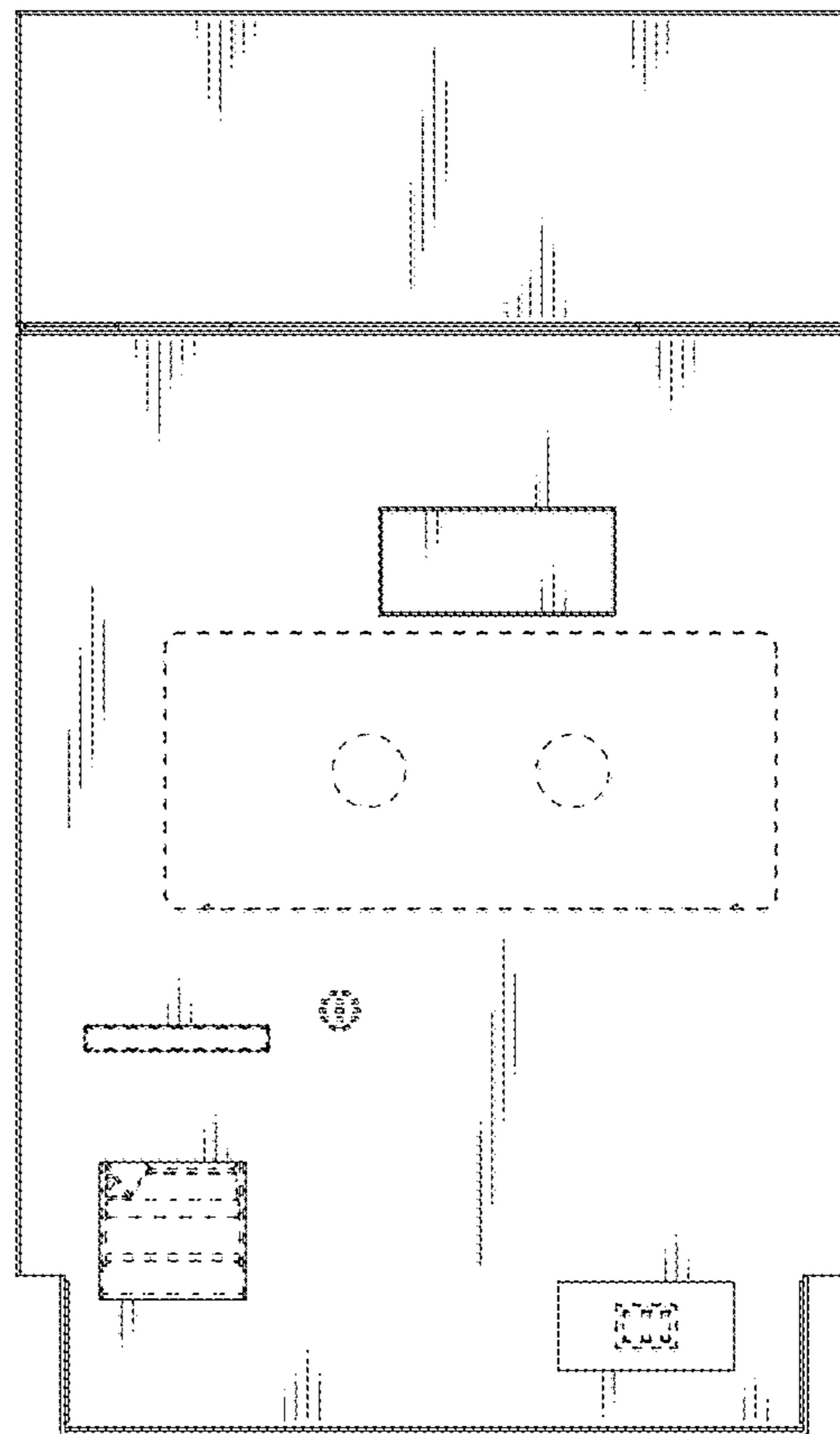


FIG. 3

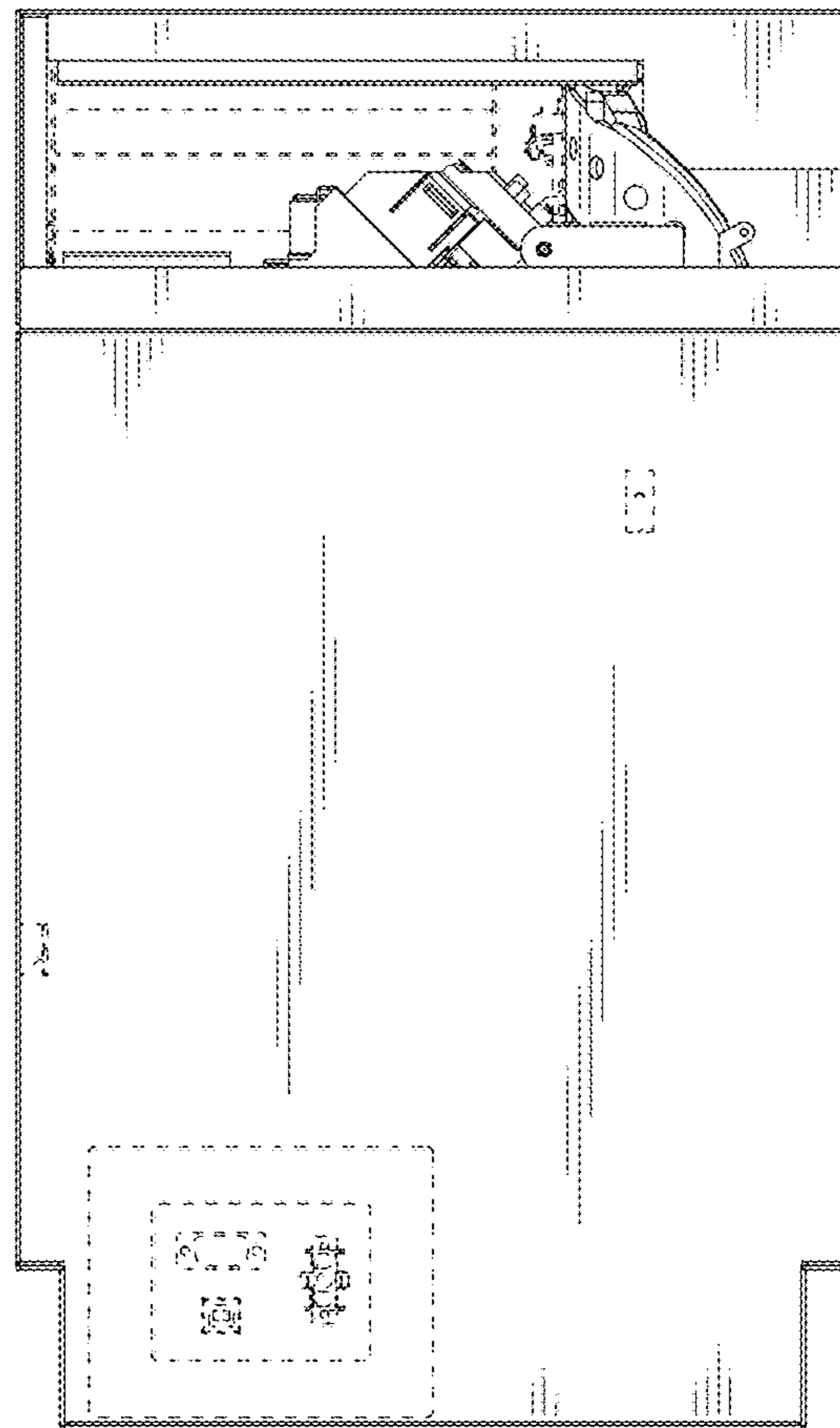


FIG. 4

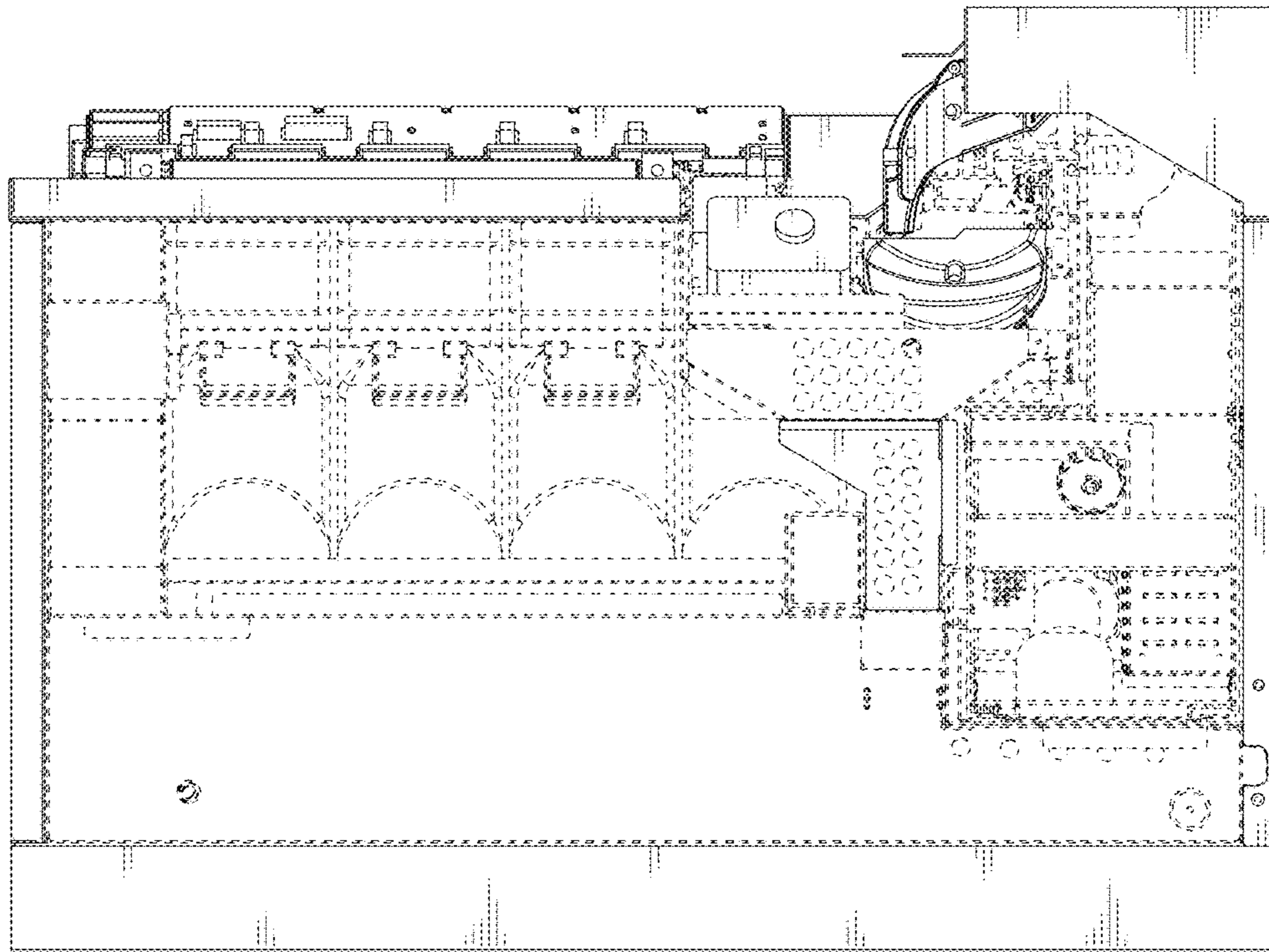


FIG. 5

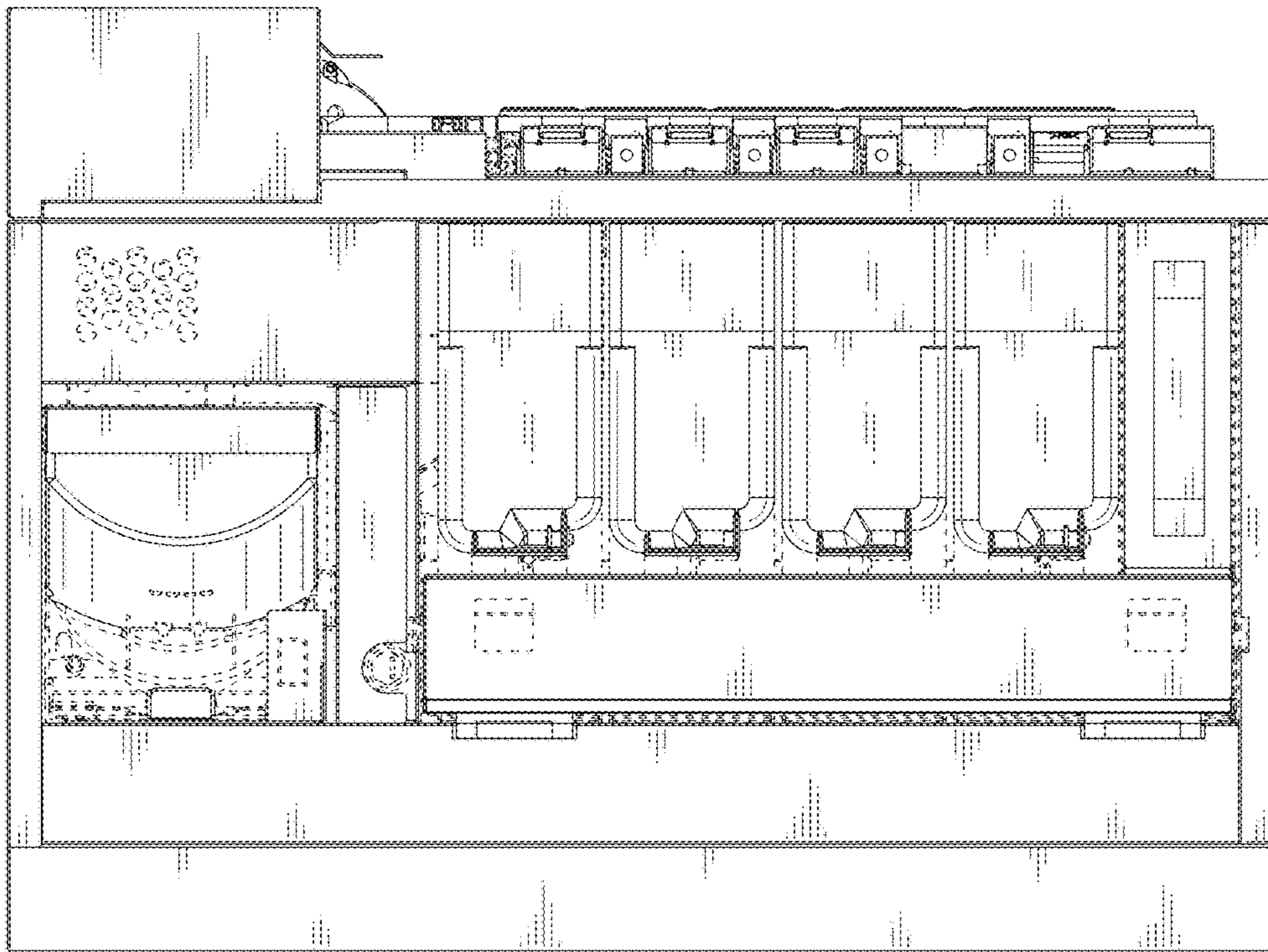


FIG. 6

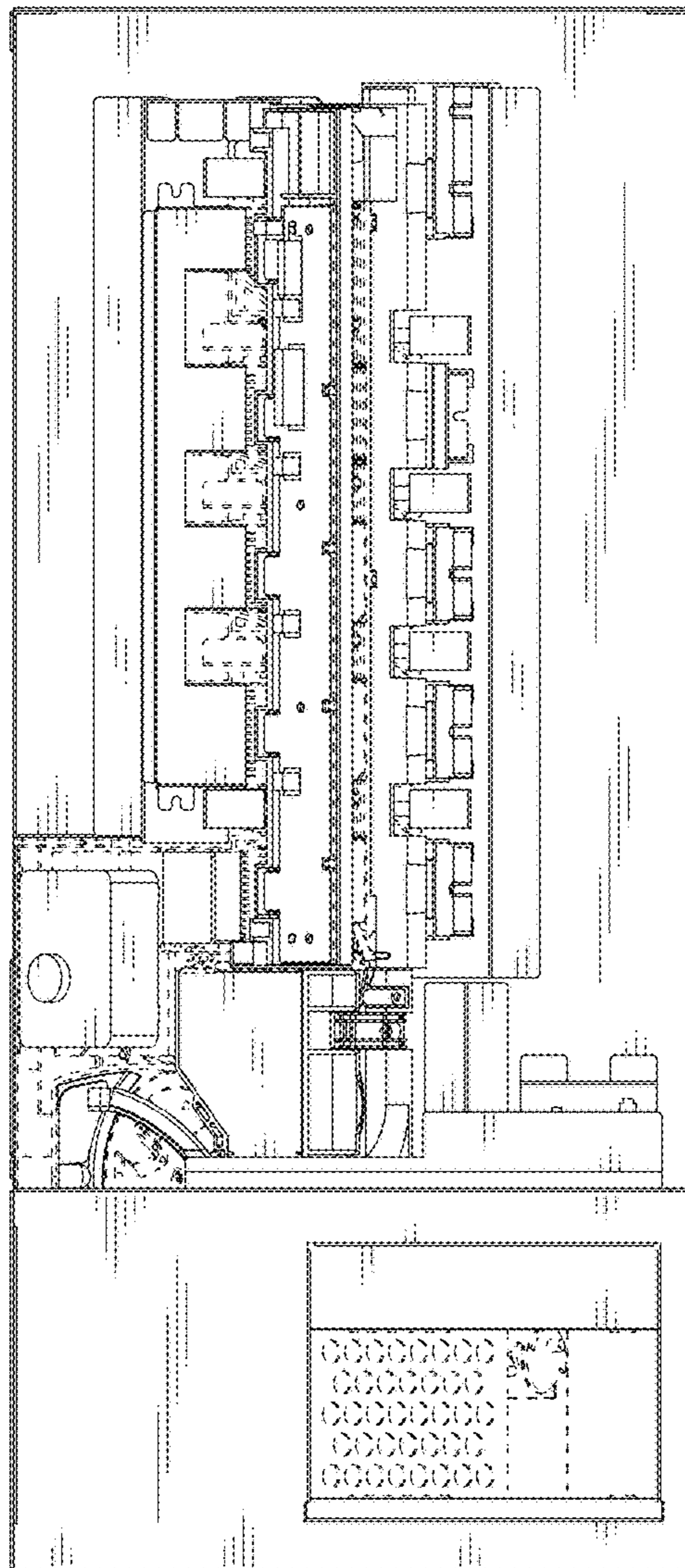


Fig. 7

