



US00D844044S

(12) **United States Design Patent**
Goffman

(10) **Patent No.:** **US D844,044 S**
(45) **Date of Patent:** **** Mar. 26, 2019**

(54) **QUICK ATTACH ACCESSORY MOUNT**

(71) Applicant: **Dango Design, LLC**, Cocolalla, ID (US)

(72) Inventor: **Daniel Goffman**, Cocolalla, ID (US)

(73) Assignee: **Dango Design, LLC**, Cocalalla, ID (US)

(**) Term: **15 Years**

(21) Appl. No.: **29/592,731**

(22) Filed: **Feb. 1, 2017**

(51) **LOC (11) Cl.** **16-05**

(52) **U.S. Cl.**
USPC **D16/242**

(58) **Field of Classification Search**

USPC D16/219, 237-250; D14/251, 253, 433, D14/434; D8/354-356, 363, 367-371, D8/373, 382-383, 394-396

CPC G03B 17/56; G03B 17/561-17/568; G02B 7/00-7/002; A45F 5/00; A45F 5/10; A45F 2200/0508-2200/0533

See application file for complete search history.

(56) **References Cited**

U.S. PATENT DOCUMENTS

| | | |
|-------------|---------|----------|
| 1,279,803 A | 9/1918 | Watson |
| 4,840,341 A | 6/1989 | Hasegawa |
| 4,996,755 A | 3/1991 | Sato |
| 5,014,956 A | 5/1991 | Kayali |
| 5,033,528 A | 7/1991 | Volcani |
| 5,103,384 A | 4/1992 | Drohan |
| 5,148,581 A | 9/1992 | Hartmann |
| 5,400,234 A | 3/1995 | Yu |
| 5,402,558 A | 4/1995 | Santapa |
| 5,853,158 A | 12/1998 | Riggle |
| D411,220 S | 6/1999 | Surabian |

(Continued)

FOREIGN PATENT DOCUMENTS

| | | |
|----|------------|---------|
| CA | 2484135 A1 | 4/2006 |
| GB | 1138232 A | 12/1968 |

OTHER PUBLICATIONS

Dango Design motorcycle accessories and GoPro mounts. [online] Retrieved Nov. 22, 2017 from URL: <https://dango-design.com/grippermount/>.*

Primary Examiner — Vy N Koenig

(74) *Attorney, Agent, or Firm* — Dorsey & Whitney LLP

(57) **CLAIM**

I claim the ornamental design for a quick attach accessory mount, substantially as shown and described.

DESCRIPTION

FIG. 1 is a top, front isometric view of a quick attach accessory mount showing my design.

FIG. 2 is a bottom, rear isometric view of the quick attach accessory mount of FIG. 1.

FIG. 3 is a front elevation view of the quick attach accessory mount of FIG. 1.

FIG. 4 is a rear elevation view of the quick attach accessory mount of FIG. 1.

FIG. 5 is a right side elevation view of the quick attach accessory mount of FIG. 1.

FIG. 6 is a left side elevation view of the quick attach accessory mount of FIG. 1.

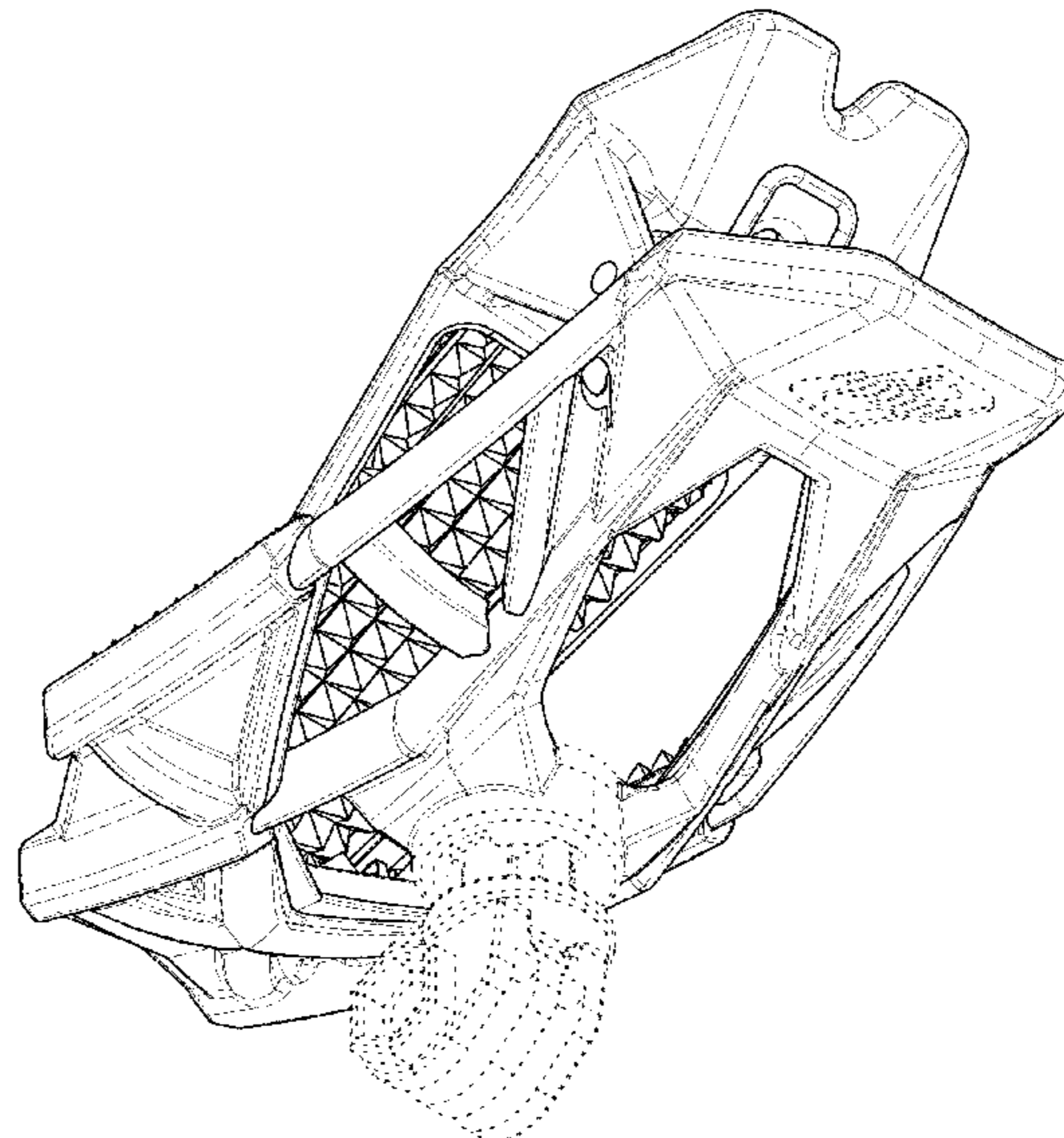
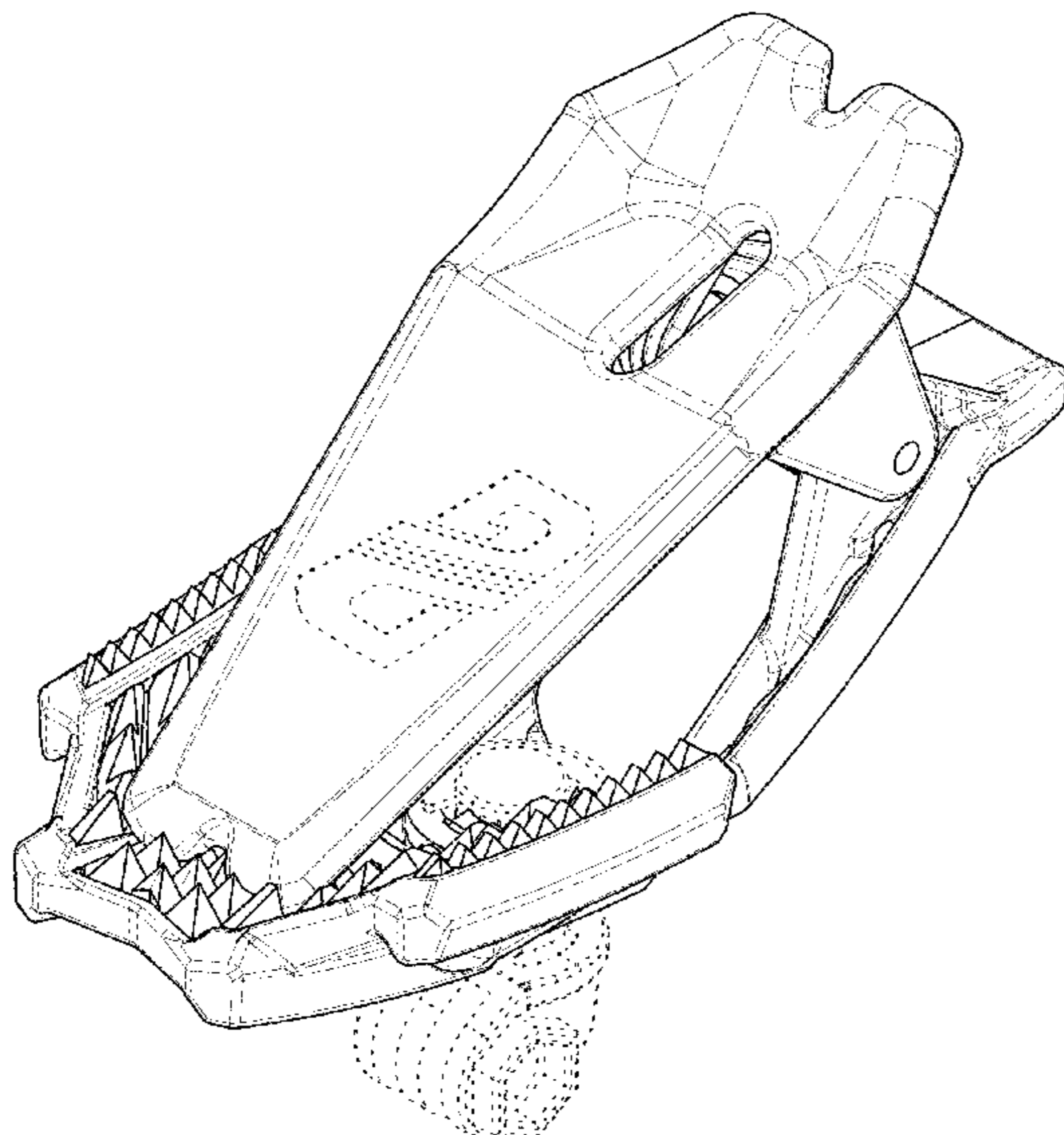
FIG. 7 is a top plan view of the quick attach accessory mount of FIG. 1.

FIG. 8 is a bottom plan view of the quick attach accessory mount of FIG. 1; and,

FIG. 9 is a bottom, rear isometric view of the quick attach accessory mount of FIG. 1 in an alternate configuration.

The broken lines in the drawing indicate features of the quick attach accessory mount that form no part of the claimed design.

1 Claim, 9 Drawing Sheets



(56)

References Cited

U.S. PATENT DOCUMENTS

| | | | | |
|--------------|------|---------|------------------|------------------------|
| 6,042,155 | A | 3/2000 | Lockwood | |
| 6,754,937 | B1 | 6/2004 | Martin | |
| D563,452 | S * | 3/2008 | Tan | D16/237 |
| D563,779 | S | 3/2008 | Yip et al. | |
| D564,559 | S * | 3/2008 | Stephens | D16/208 |
| D574,702 | S * | 8/2008 | Stephens | D8/395 |
| 7,533,906 | B2 | 5/2009 | Luetzgen et al. | |
| D670,285 | S * | 11/2012 | Hammitt | D14/253 |
| D679,700 | S * | 4/2013 | Werth | D14/253 |
| 8,602,662 | B1 | 12/2013 | Mans | |
| D703,659 | S * | 4/2014 | Werth | D14/253 |
| D704,201 | S * | 5/2014 | Shubin, Sr. | D14/447 |
| 8,757,573 | B1 | 6/2014 | Barnes, Jr. | |
| 8,800,941 | B2 | 8/2014 | Kahn | |
| 8,869,355 | B2 | 10/2014 | Huang | |
| D720,816 | S | 1/2015 | Nelson et al. | |
| 9,127,786 | B1 | 9/2015 | Arratia | |
| D772,969 | S * | 11/2016 | Druker | D16/242 |
| D795,676 | S * | 8/2017 | Karol | D8/349 |
| D800,823 | S * | 10/2017 | Druker | D16/242 |
| 9,803,797 | B2 | 10/2017 | Motosko et al. | |
| D810,179 | S * | 2/2018 | Harms | D16/237 |
| 2003/0233740 | A1 | 12/2003 | Adams | |
| 2007/0193211 | A1 | 8/2007 | Harrison et al. | |
| 2009/0179132 | A1 * | 7/2009 | Qin | A47B 23/043 248/371 |
| 2010/0107373 | A1 | 5/2010 | Enga et al. | |
| 2012/0174375 | A1 | 7/2012 | Mcleod | |
| 2015/0184800 | A1 | 7/2015 | Eskew et al. | |
| 2015/0219130 | A1 | 8/2015 | Killion et al. | |
| 2016/0112786 | A1 | 4/2016 | Murata | |
| 2016/0133237 | A1 | 5/2016 | Berlinger | |
| 2016/0241289 | A1 * | 8/2016 | Wieth | B62B 3/1428 |
| 2017/0202292 | A1 * | 7/2017 | Volmer | A42B 1/24 |

* cited by examiner

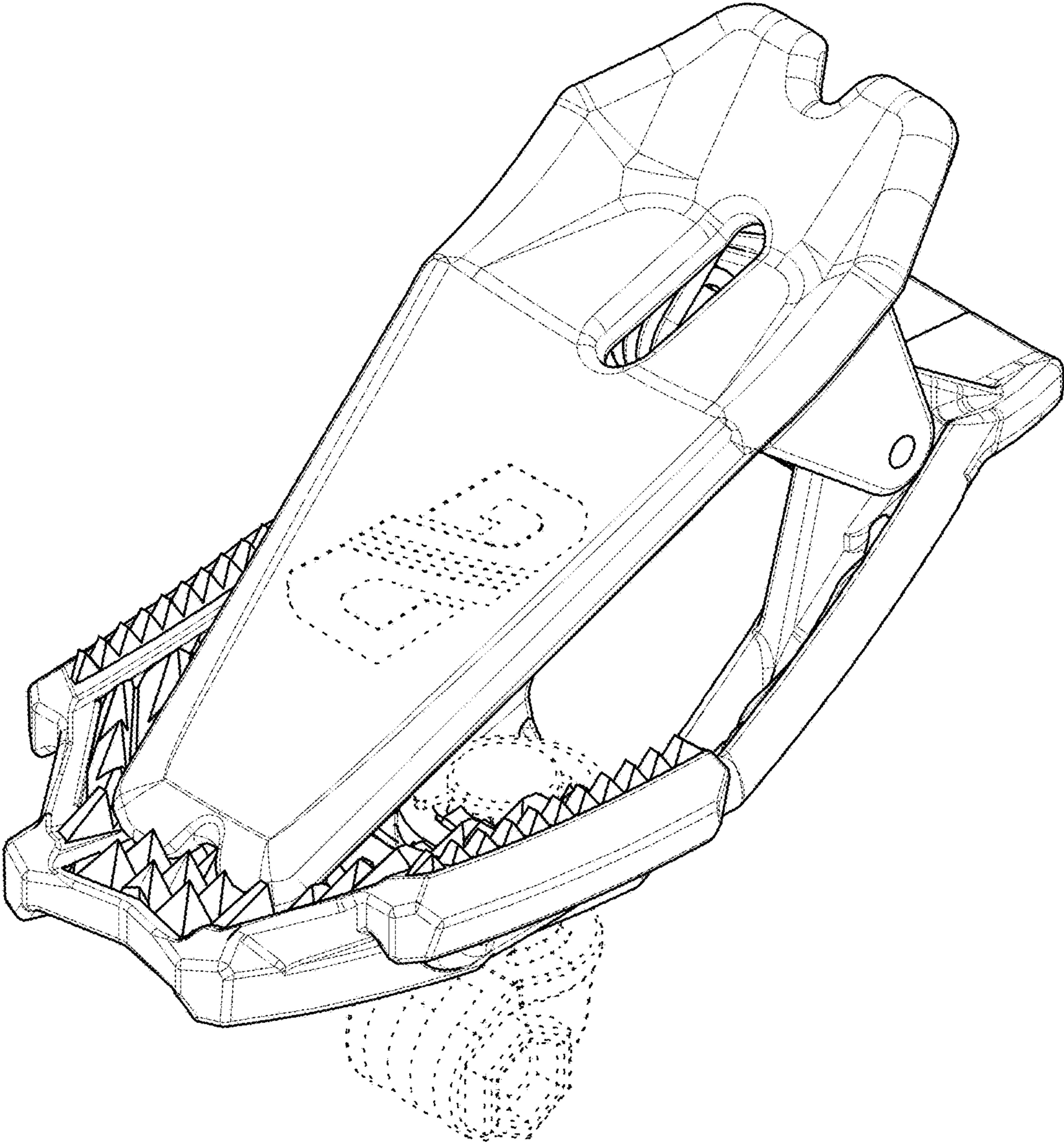


FIG. 1

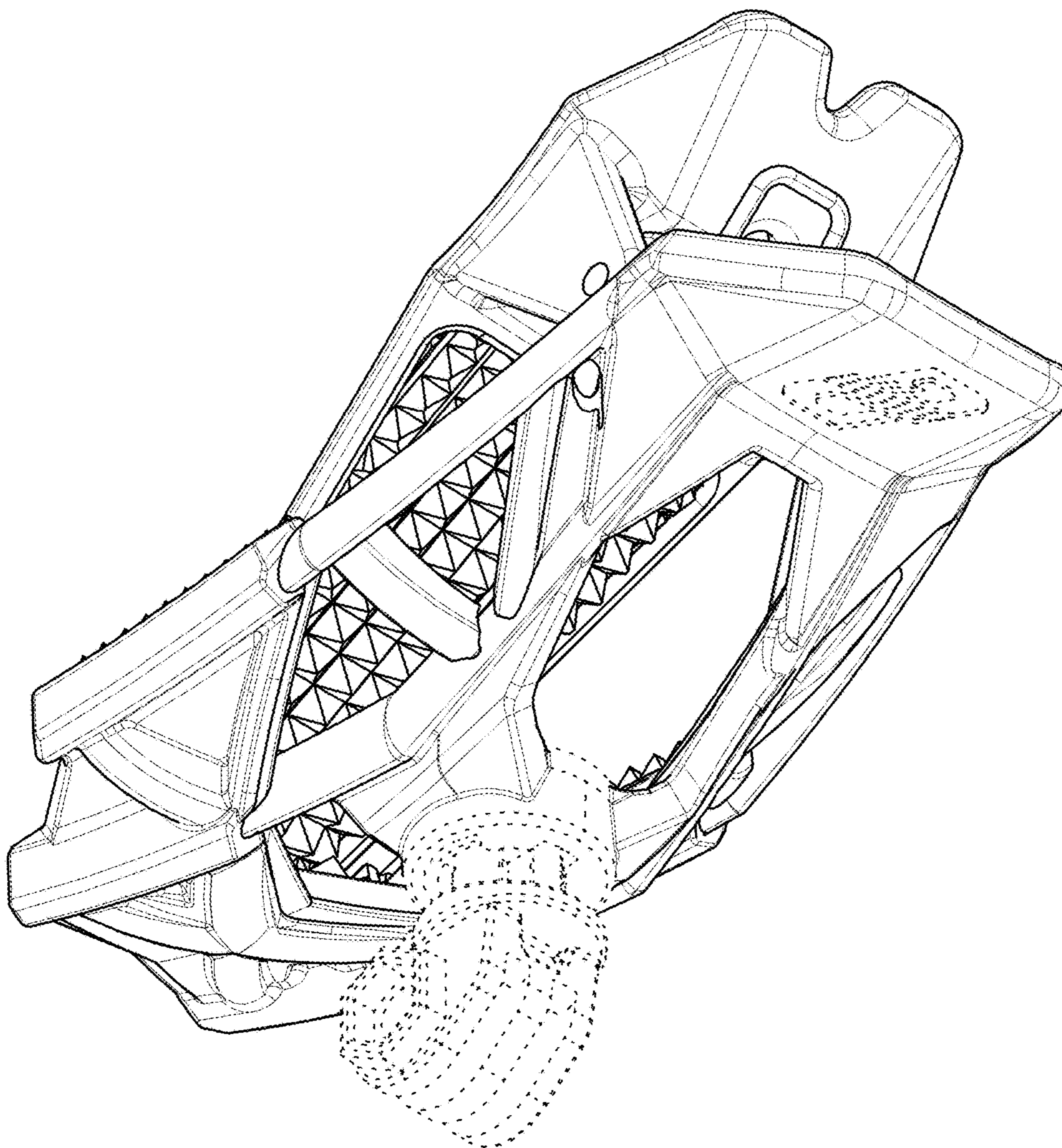


FIG. 2

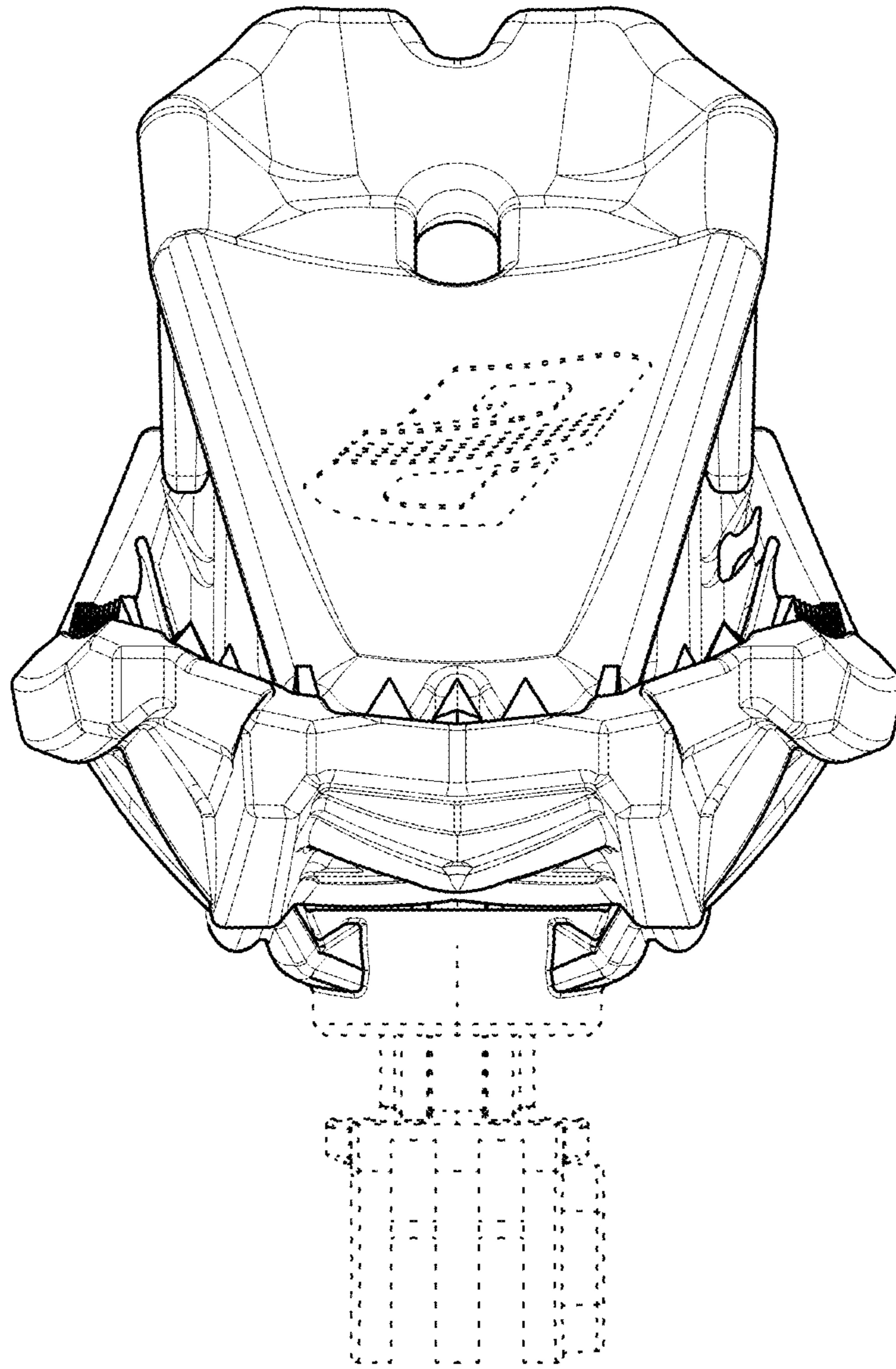


FIG. 3

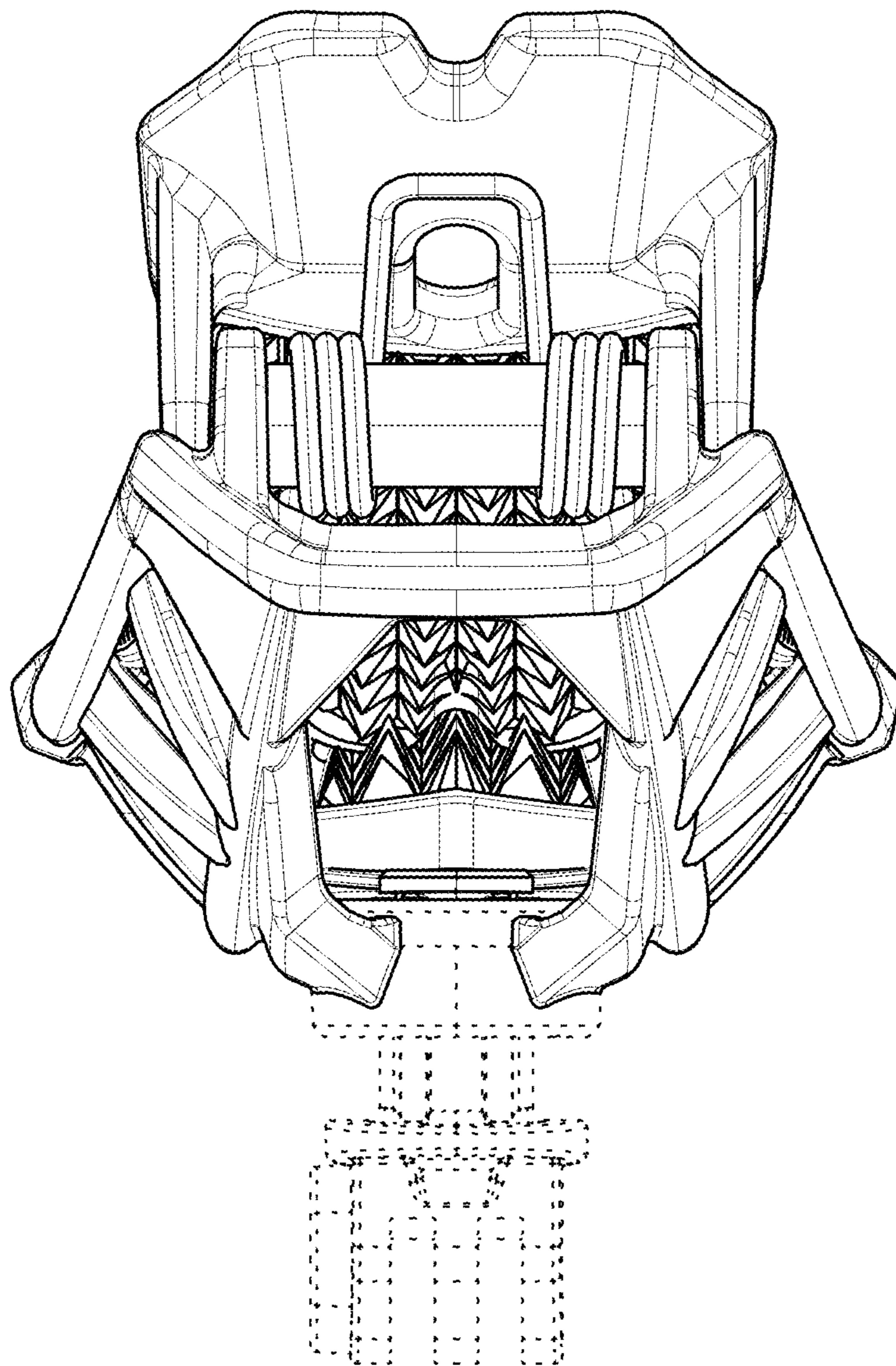


FIG. 4

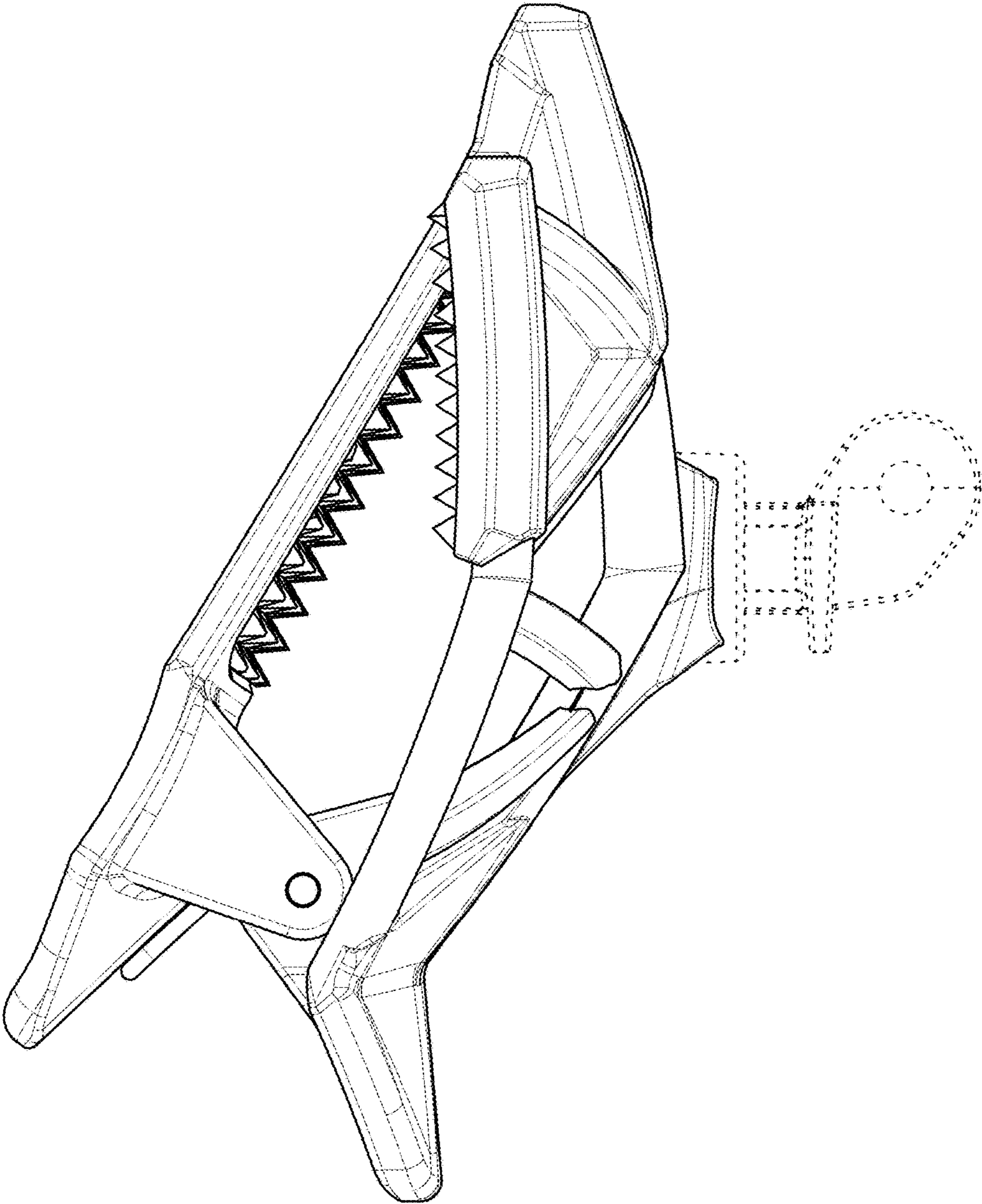


FIG. 5

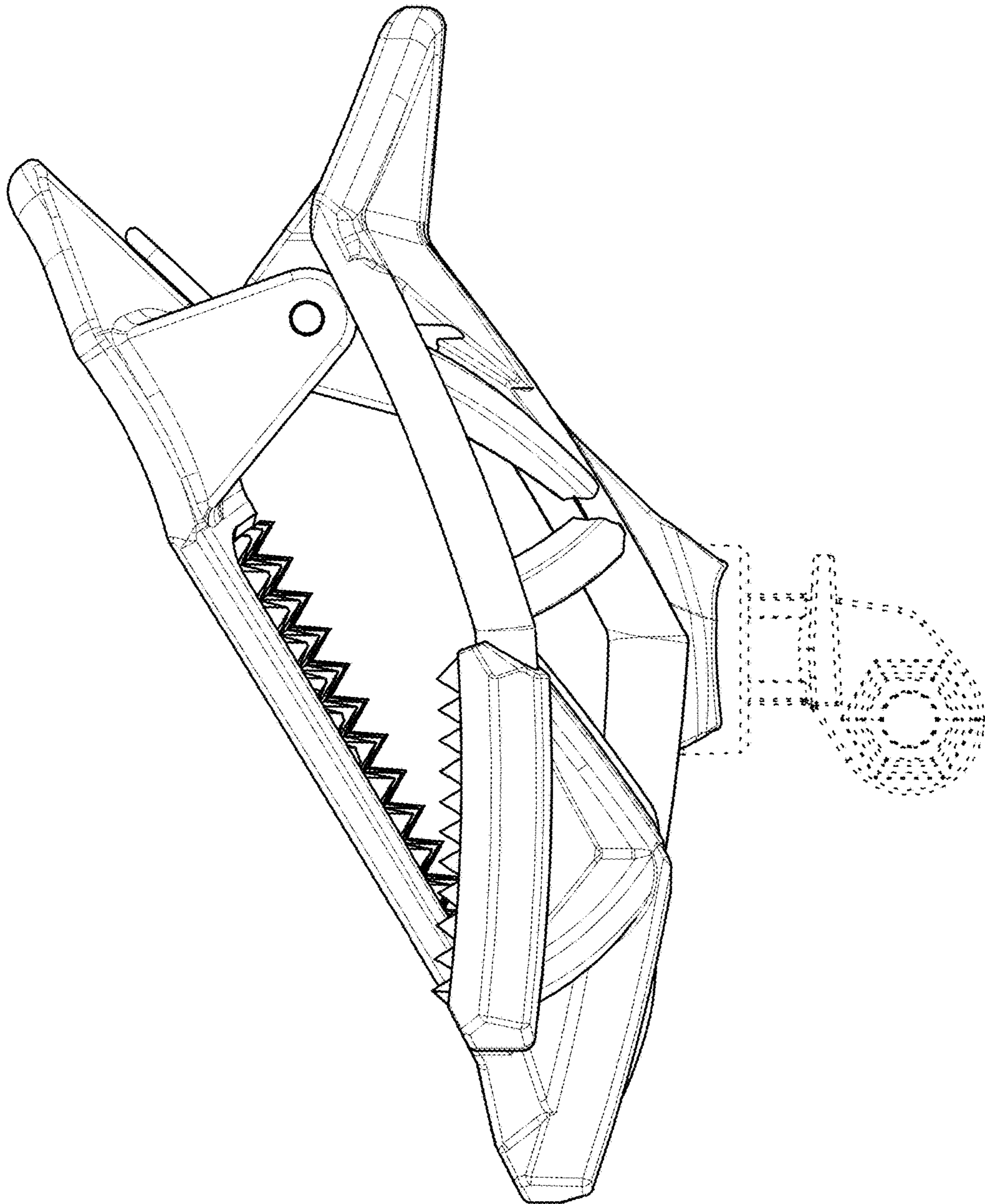


FIG. 6

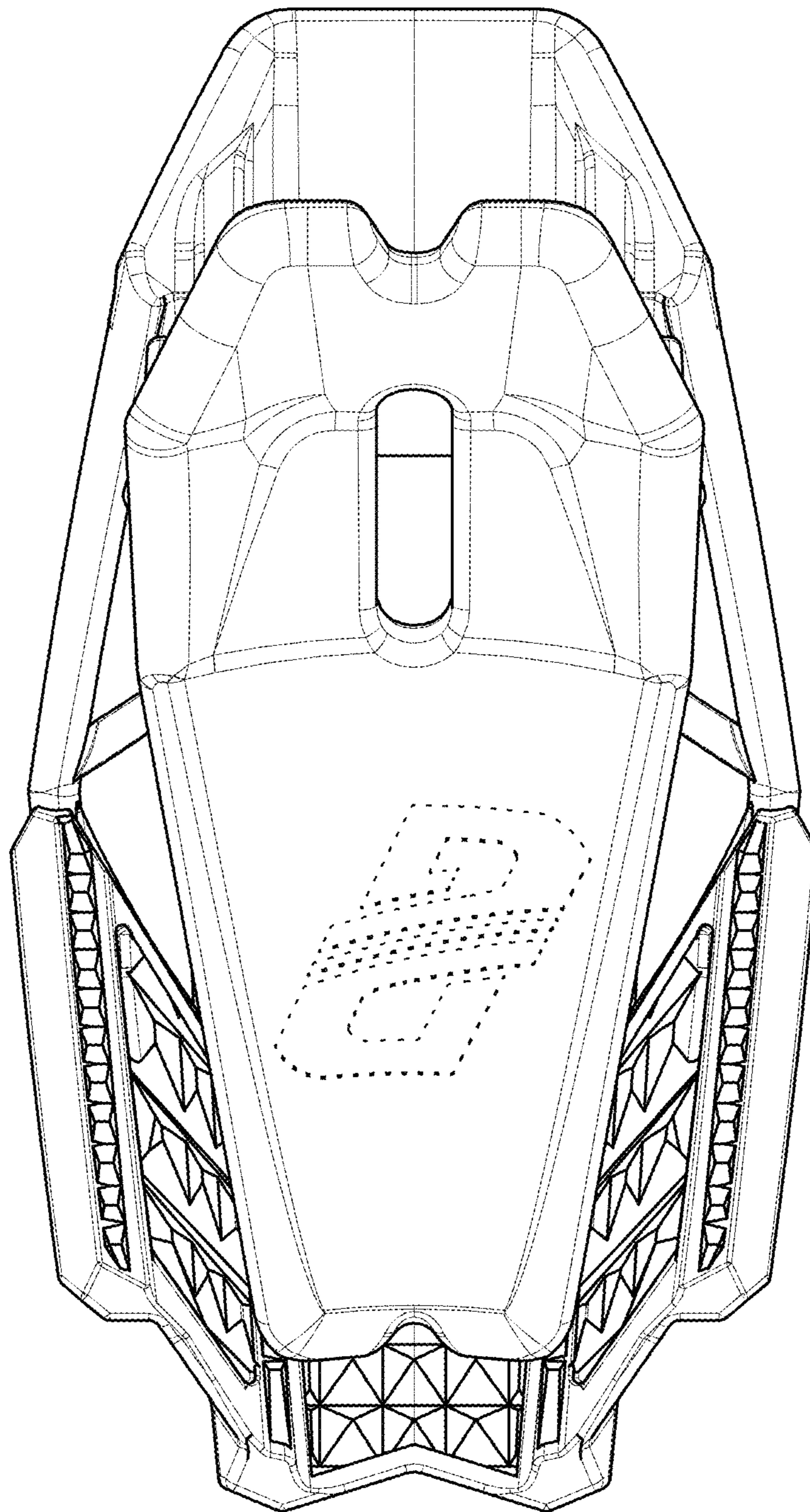


FIG. 7

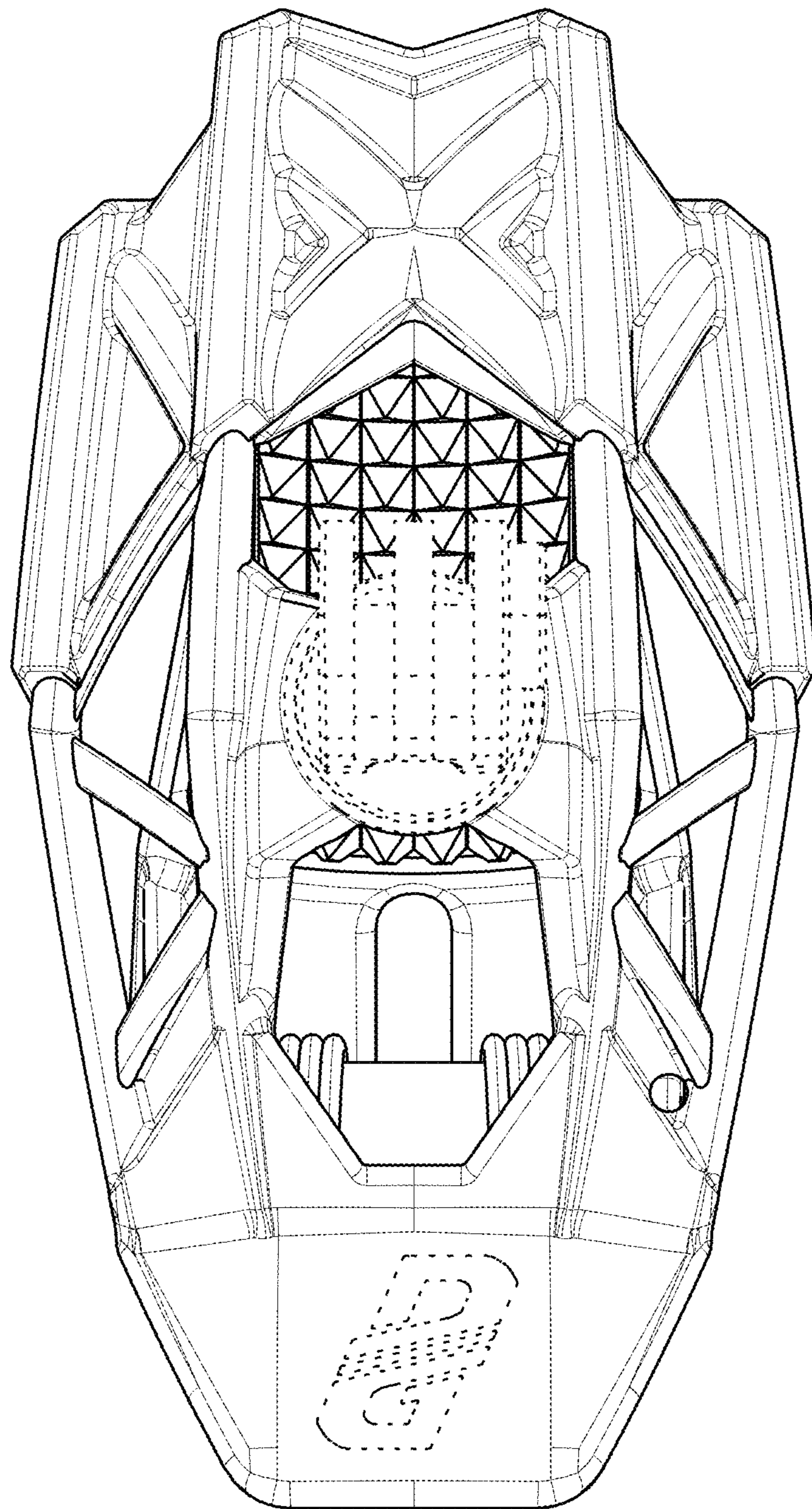


FIG. 8

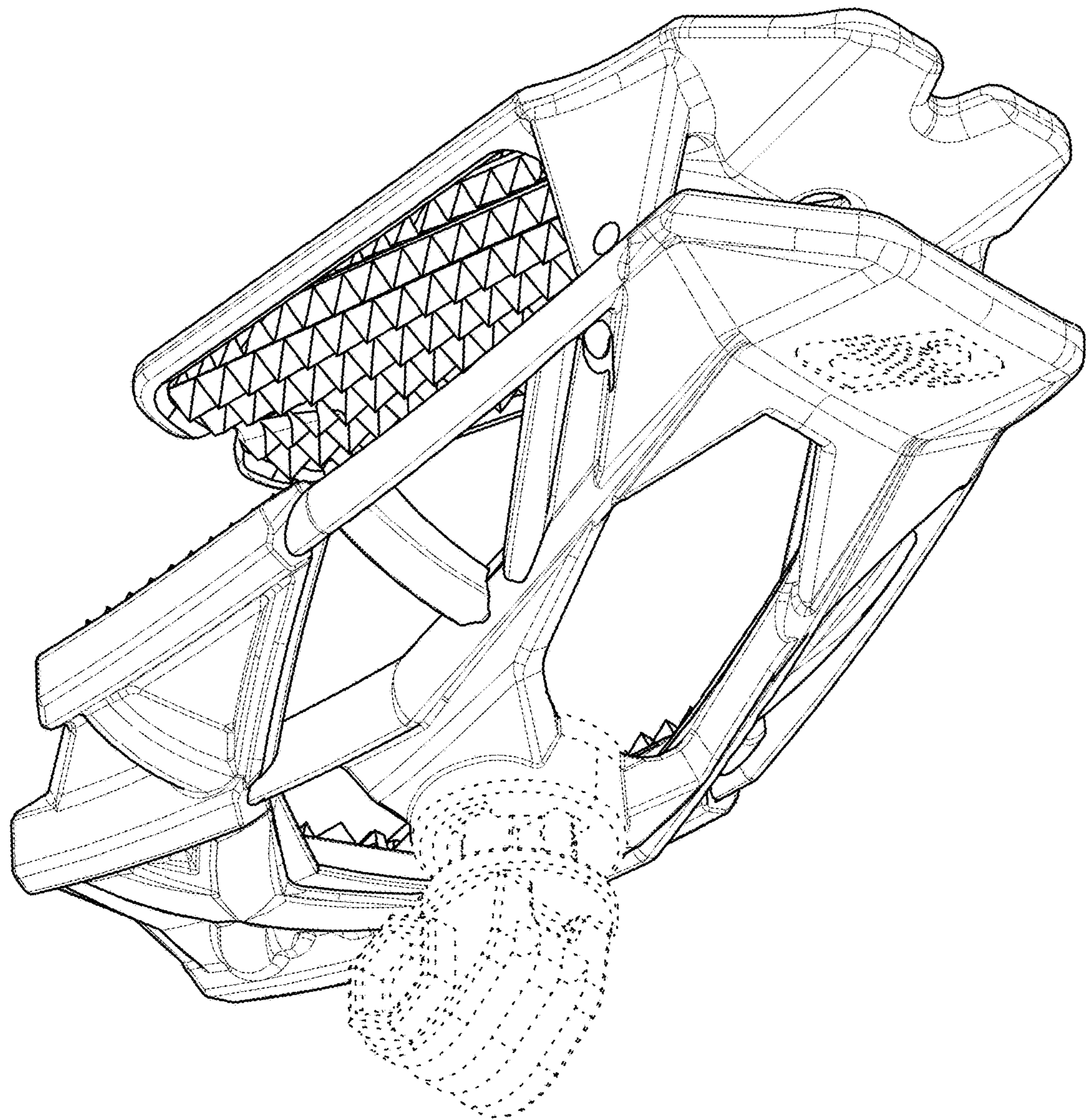


FIG. 9