



US00D844043S

(12) **United States Design Patent**  
**Shibuya et al.**

(10) **Patent No.:** **US D844,043 S**  
(45) **Date of Patent:** **\*\* Mar. 26, 2019**

(54) **PROJECTOR**

D764,563 S \* 8/2016 Magi ..... D16/221  
9,491,423 B2 \* 11/2016 Ko ..... G03B 21/145  
D827,693 S \* 9/2018 Shibuya ..... D16/225

(Continued)

(71) Applicant: **Maxell, Ltd.**, Kyoto (JP)

(72) Inventors: **Shinji Shibuya**, Tokyo (JP); **Nobuyuki Kaku**, Osaka (JP); **Takatsugu Kawabata**, Osaka (JP); **Katsuyuki Watanabe**, Osaka (JP); **Tatsuya Ishikawa**, Osaka (JP)

FOREIGN PATENT DOCUMENTS

JP D1566569 \* 3/2016

OTHER PUBLICATIONS

Shibuya et al., Design U.S. Appl. No. 29/601,568, filed Apr. 24, 2017.

(Continued)

(\*\*) Term: **15 Years**

(21) Appl. No.: **29/601,539**

*Primary Examiner* — Wan Laymon

(22) Filed: **Apr. 24, 2017**

(74) *Attorney, Agent, or Firm* — Crowell & Moring LLP

(30) **Foreign Application Priority Data**

(57) **CLAIM**

The ornamental design for a projector, as shown and described.

Oct. 25, 2016 (JP) ..... 2016-023194

**DESCRIPTION**

(51) **LOC (11) Cl.** ..... **16-02**

(52) **U.S. Cl.**

USPC ..... **D16/230**

(58) **Field of Classification Search**

USPC ..... D16/221, 225, 229–231, 232, 203, 208;  
D14/423; D21/514; 353/119

CPC ..... G03B 21/145; G03B 21/14; G03B 21/12;  
G03B 21/001; G03B 21/003; G03B 21/00

See application file for complete search history.

This application contains subject matter related to the following co-pending U.S. design patent application:

Application Ser. No. 29/601,568, filed herewith and entitled “Projector”;

Application Ser. No. 29/607,678, filed Jun. 15, 2017 and entitled “Projector”; and

Application Ser. No. 29/607,682 filed Jun. 15, 2017 and entitled “Projector”.

FIG. 1 is a front, bottom and right side perspective view of a projector according to the design;

FIG. 2 is a front elevational view thereof;

FIG. 3 is a rear elevational view thereof;

FIG. 4 is a left side elevational view thereof;

FIG. 5 is a right side elevational view thereof;

FIG. 6 is a top plan view thereof; and,

FIG. 7 is a bottom plan view thereof.

The broken lines in the drawings are included for the purpose of illustrating portions of the projector that form no part of the claimed design.

(56) **References Cited**

U.S. PATENT DOCUMENTS

D216,839 S \* 3/1970 Rhoades et al. .... D16/221

D349,713 S \* 8/1994 Hasegawa ..... D16/203

D364,388 S \* 11/1995 Miyahara ..... D14/423

6,604,829 B2 \* 8/2003 Rodriguez, Jr. .... G03B 21/145

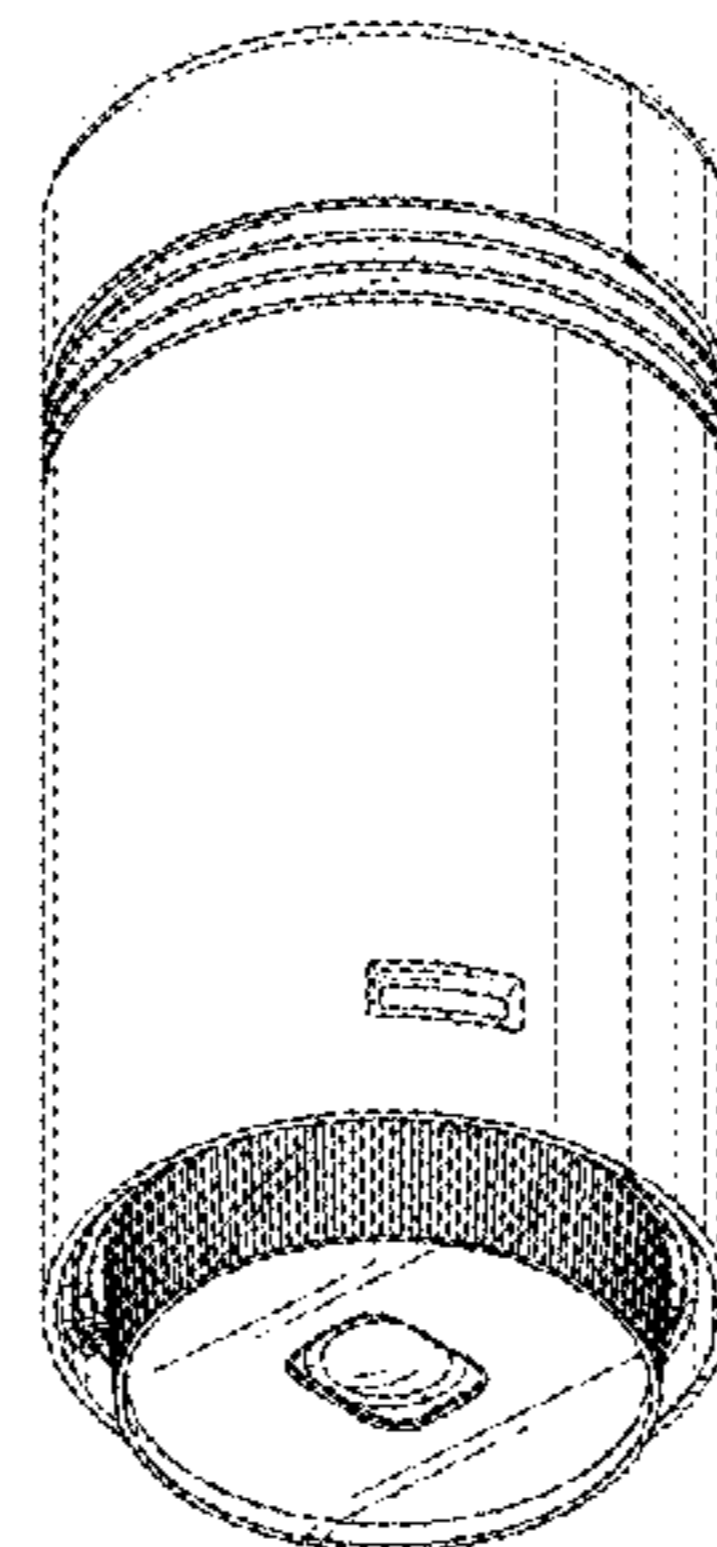
348/E5.137

D518,081 S \* 3/2006 Peard ..... D16/225

8,002,419 B2 \* 8/2011 Amano ..... G03B 21/10

353/119

**1 Claim, 4 Drawing Sheets**



(56)

**References Cited**

U.S. PATENT DOCUMENTS

2014/0204347 A1\* 7/2014 Murphy ..... G03B 21/145  
353/57  
2016/0188123 A1\* 6/2016 Fujiune ..... G03B 21/145  
345/156  
2018/0063496 A1\* 3/2018 Kasuga ..... G03B 21/145

OTHER PUBLICATIONS

Shibuya et al., Design U.S. Appl. No. 29/607,682, filed Jun. 15, 2017.

Shibuya et al., Design U.S. Appl. No. 29/607,678, filed Jun. 15, 2017.

\* cited by examiner

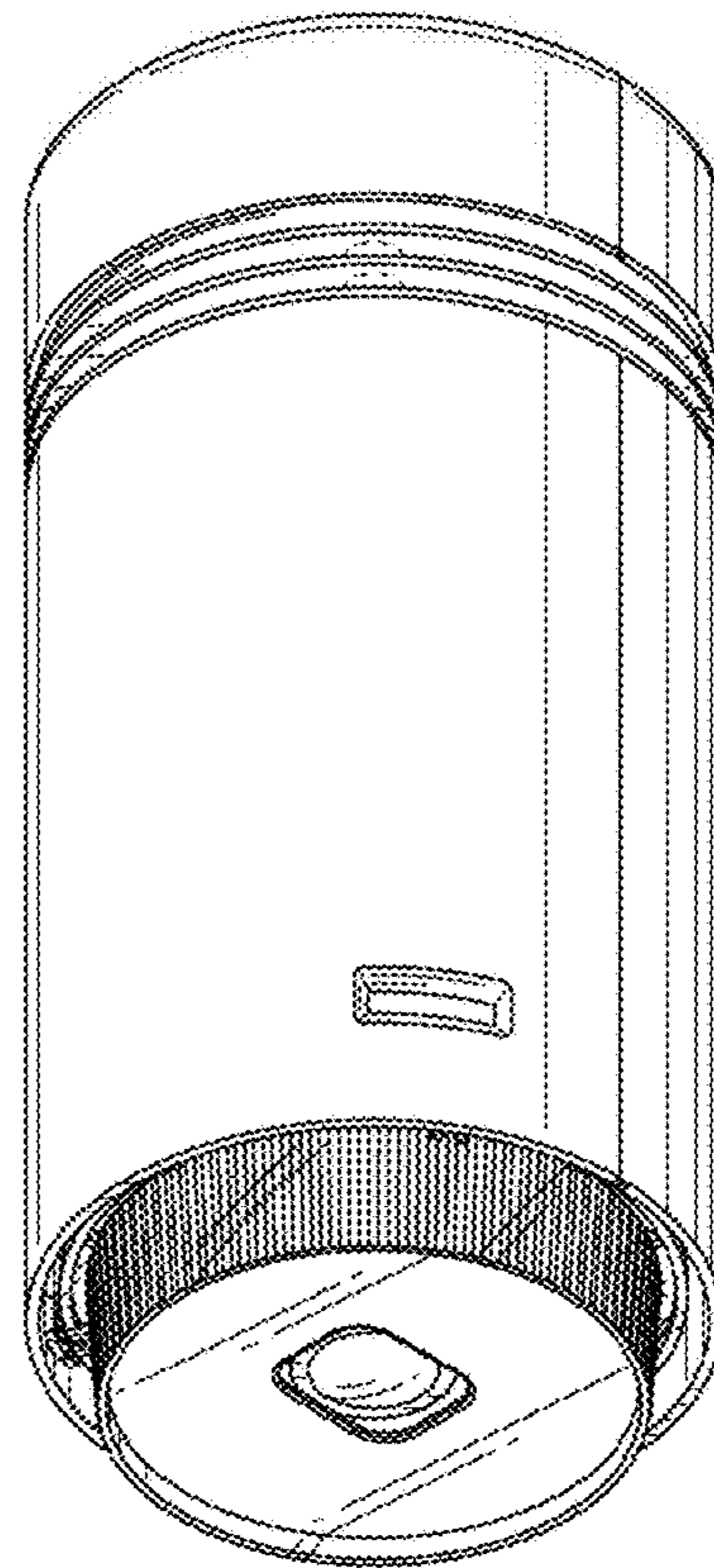


FIG. 1

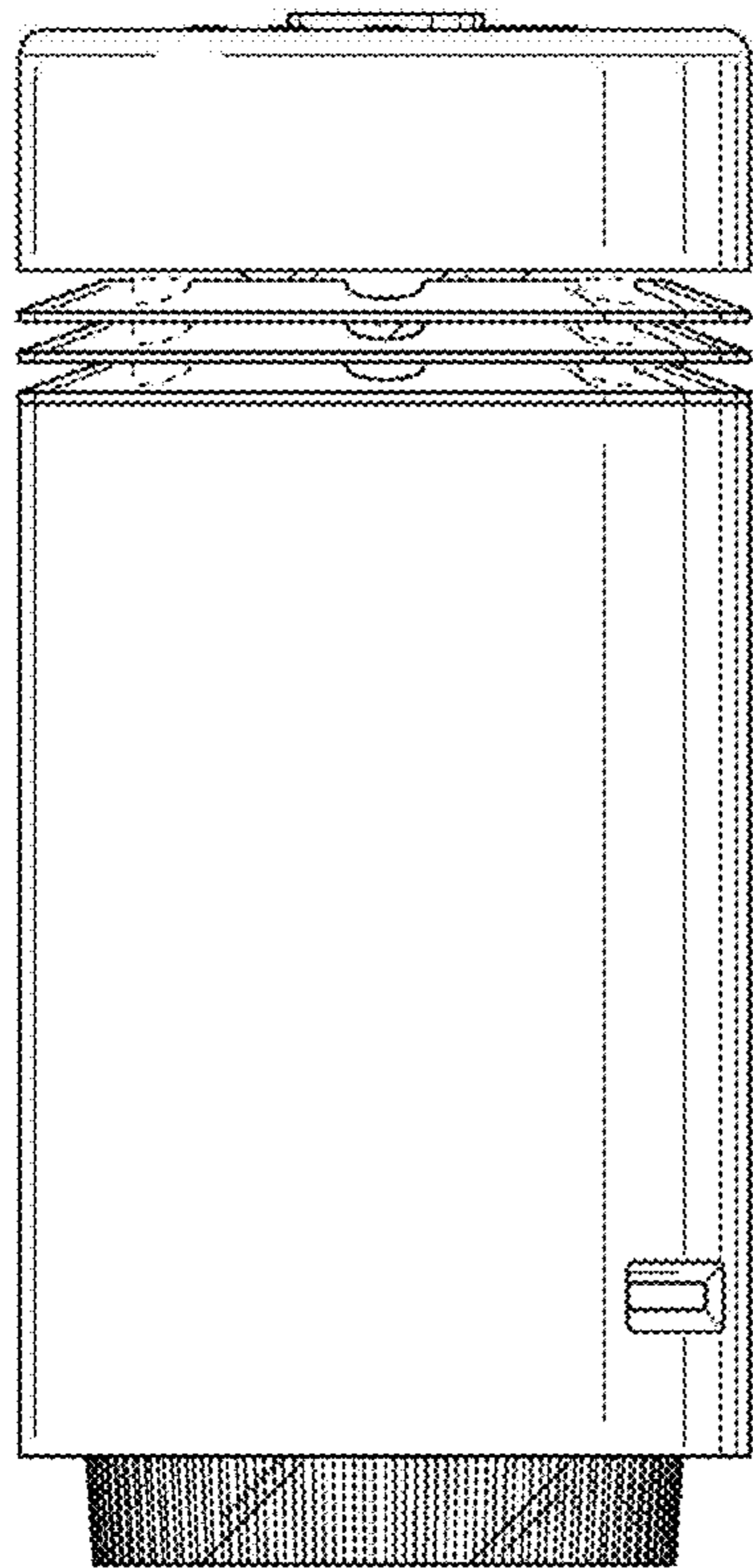


FIG. 2

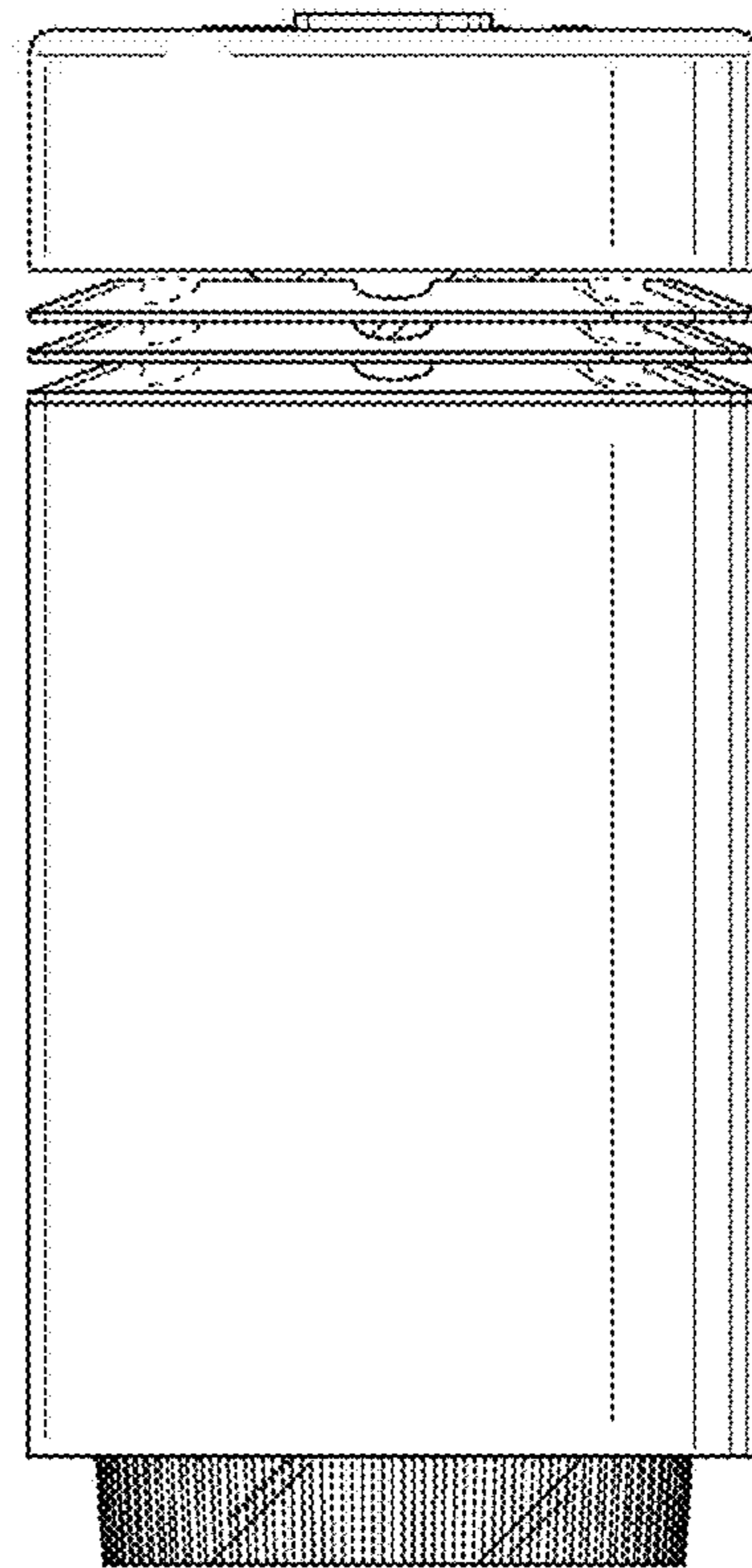


FIG. 3

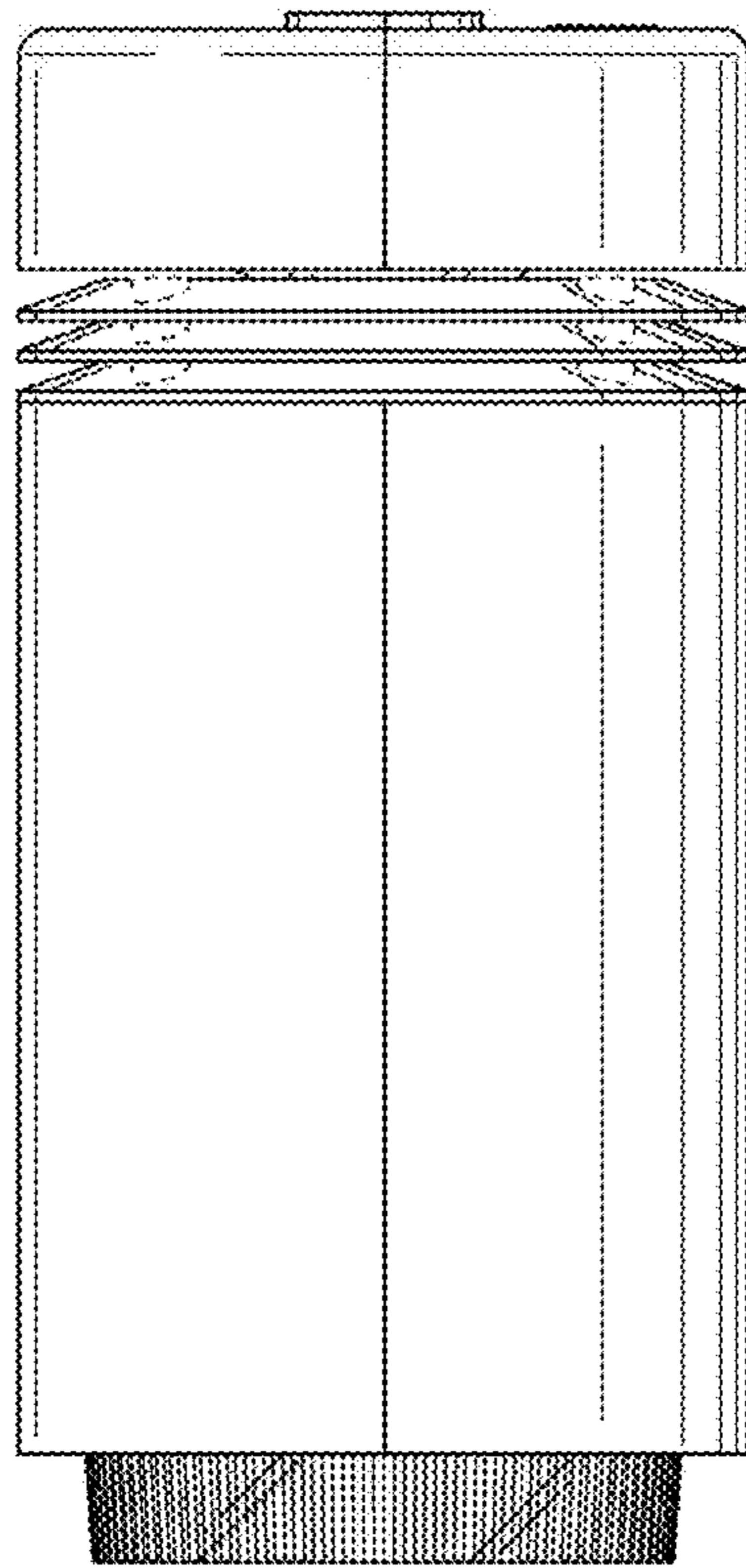


FIG. 4

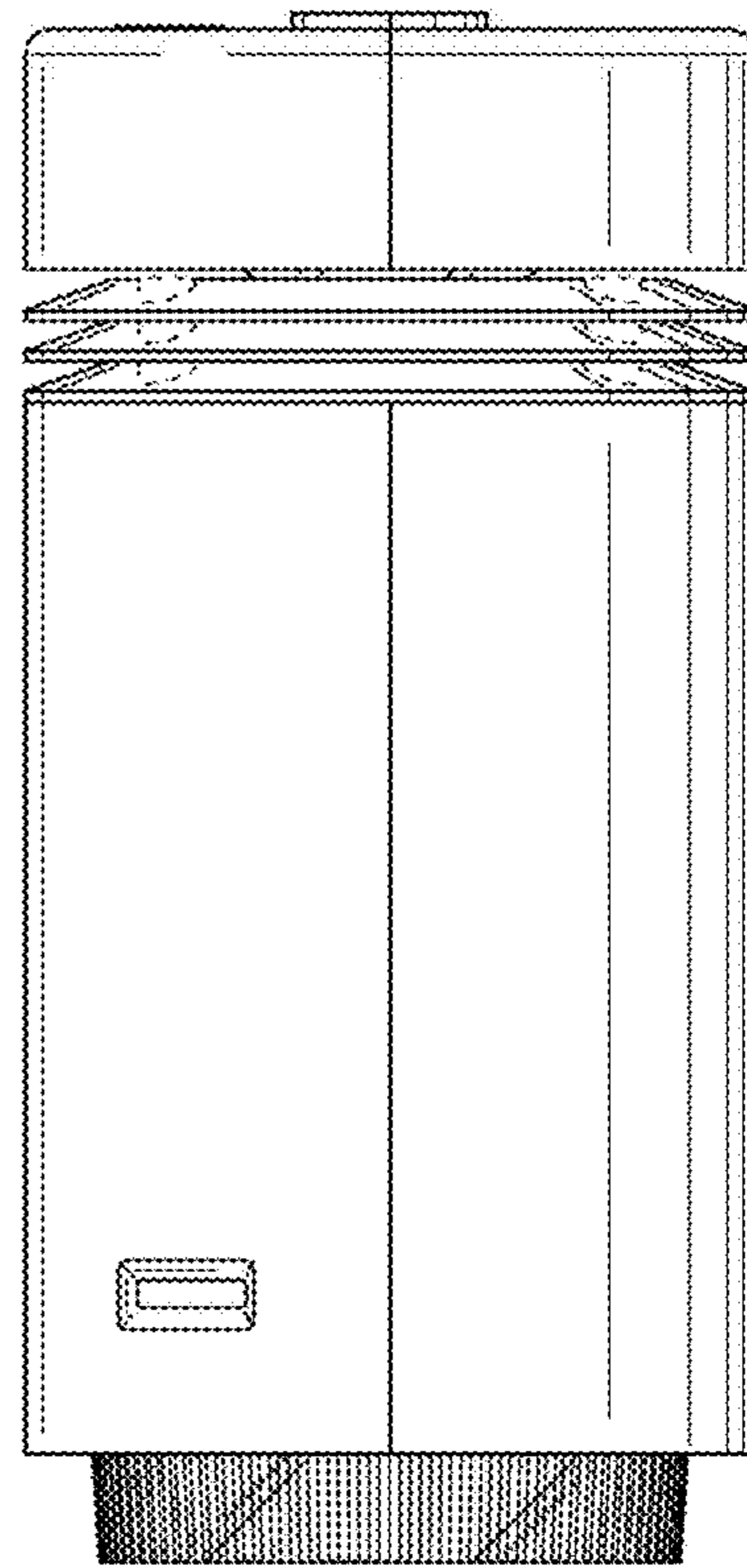


FIG. 5

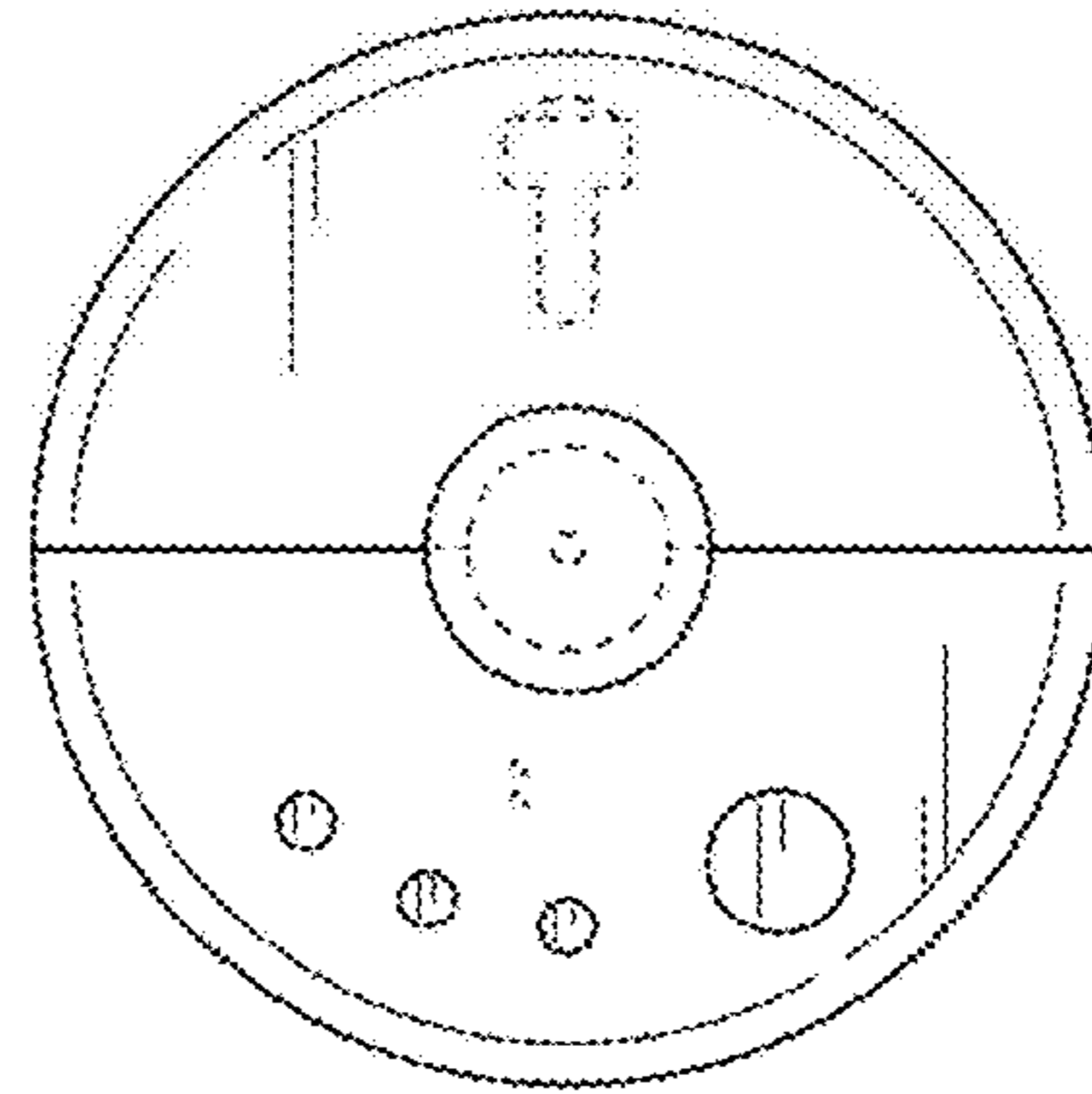


FIG. 6

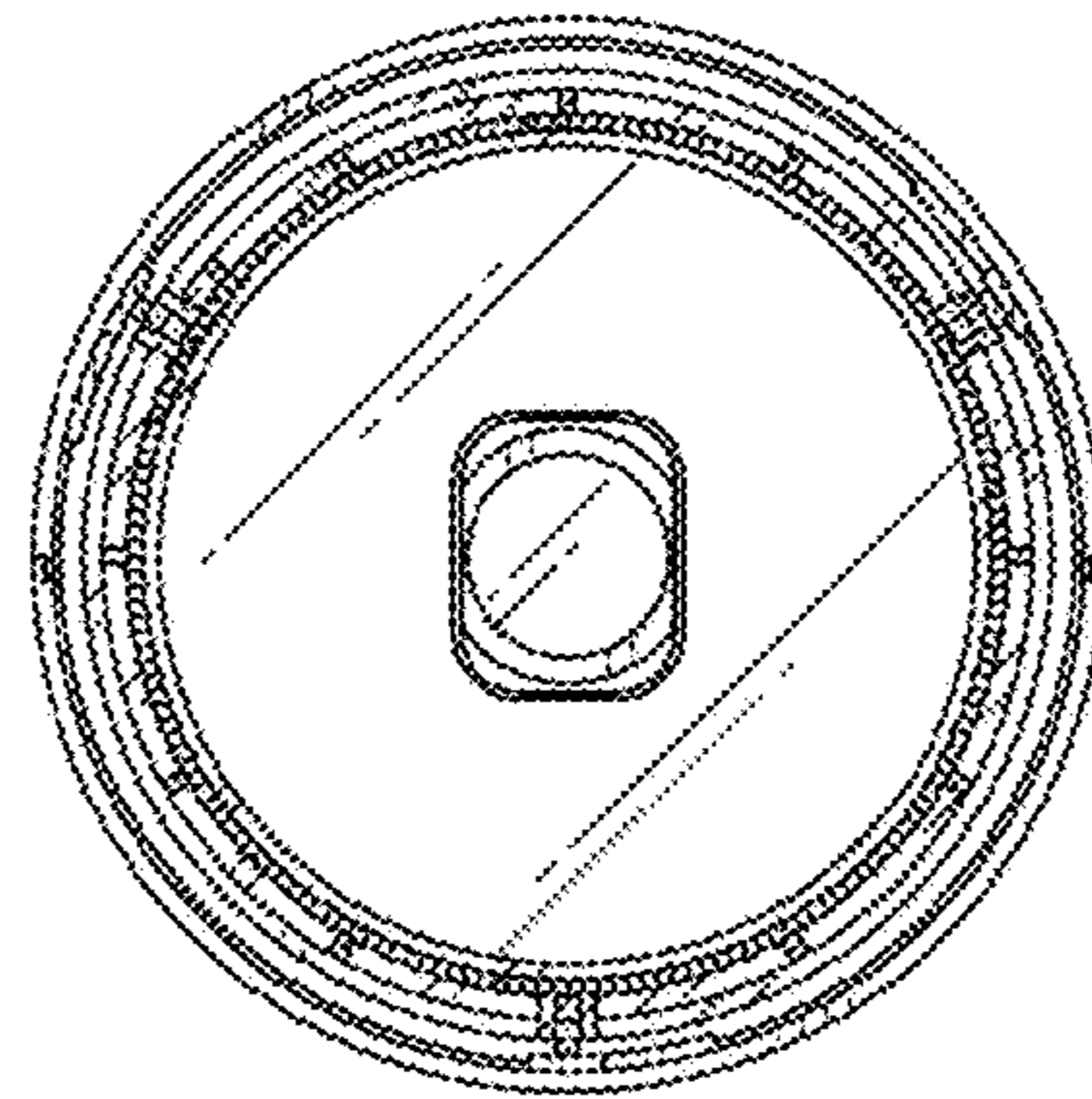


FIG. 7