



US00D844042S

(12) **United States Design Patent** (10) **Patent No.:** **US D844,042 S**
Yoon (45) **Date of Patent:** **** Mar. 26, 2019**

(54) **INDUSTRIAL ROBOT**
(71) Applicant: **Life Robotics Inc.**, Tokyo (JP)
(72) Inventor: **Woo-Keun Yoon**, Tokyo (JP)
(73) Assignee: **Life Robotics Inc.**, Tokyo (JP)
(**) Term: **15 Years**
(21) Appl. No.: **29/565,576**
(22) Filed: **May 23, 2016**

(30) **Foreign Application Priority Data**
Nov. 24, 2015 (JP) 2015-026213
(51) **LOC (11) Cl.** **15-99**
(52) **U.S. Cl.**
USPC **D15/199**
(58) **Field of Classification Search**
USPC D15/199
CPC . B25J 18/02; B25J 18/025; B25J 18/06; B25J
15/0028; B25J 15/06; B25J 18/0683;
B25J 9/045; B25J 9/046; B25J 9/06;
Y10S 901/15
See application file for complete search history.

(56) **References Cited**
U.S. PATENT DOCUMENTS
D279,571 S * 7/1985 Arai D15/122
D292,000 S * 9/1987 Shibayama D15/122
D308,213 S * 5/1990 Jones D15/199
(Continued)

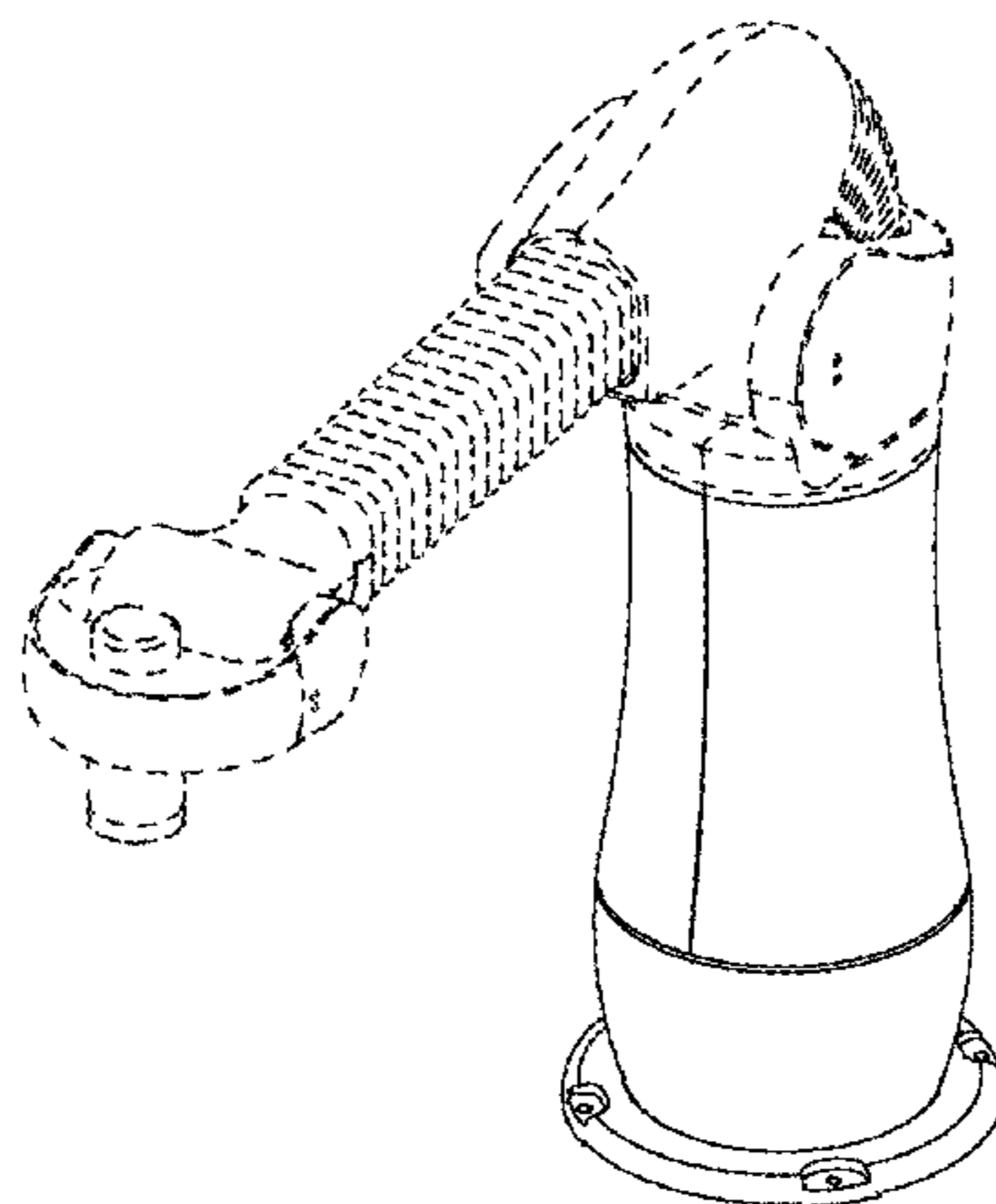
OTHER PUBLICATIONS
"Twitter—Ilian Bonev." Found online May 23, 2018 at www.twitter.com. Page dated Dec. 3, 2015. Retrieved from URL: https://twitter.com/ibonev/status/672609225974026240 (Year: 2015).*
(Continued)

Primary Examiner — Garth Rademaker
Assistant Examiner — Katelin G Kloberg
(74) *Attorney, Agent, or Firm* — Nakanishi IP Associates, LLC

(57) **CLAIM**
The ornamental design for an industrial robot, as shown and described.

DESCRIPTION
FIG. 1 is a front, top, and right side perspective view of an industrial robot;
FIG. 2 is a rear, top, and left side perspective view thereof;
FIG. 3 is a front elevation view thereof;
FIG. 4 is a rear elevation view thereof;
FIG. 5 is a top plan view thereof;
FIG. 6 is a bottom plan view thereof;
FIG. 7 is a right side elevation view thereof;
FIG. 8 is a left side elevation view thereof;
FIG. 9 is a right side elevation view thereof, showing a state that the arm of the robot is contracted in an upward direction;
FIG. 10 is a right side elevation view thereof, showing a state that the arm of the robot is contracted in a horizontal direction;
FIG. 11 is a right side elevation view thereof, showing a state that the arm of the robot is contracted and bending toward the downward direction, and the apical portion of the arm is turned in a different direction;
FIG. 12 is a right side elevation view thereof, showing a state that an arm of the robot is extended in the upward direction; and,
FIG. 13 is a right side elevation view thereof, showing a state that the arm of the robot is extended in the downward direction.
The broken lines shown in the drawings represent portions of the industrial robot and form no part of the claimed design.

1 Claim, 13 Drawing Sheets



(56)

References Cited

U.S. PATENT DOCUMENTS

D440,241 S * 4/2001 Kawahara D15/199
D490,831 S * 6/2004 Raab D15/199
D491,589 S * 6/2004 Raab D15/199
D599,226 S * 9/2009 Gerent D10/63
D610,926 S * 3/2010 Gerent D10/63
D613,781 S * 4/2010 Liu D15/199
D615,574 S * 5/2010 Liu D15/199
D616,477 S * 5/2010 Long D15/199
D616,909 S * 6/2010 Long D15/199
D624,104 S * 9/2010 Miyake 15/99
D638,455 S * 5/2011 Long D15/199
D650,820 S * 12/2011 Long D15/199
D670,319 S * 11/2012 Liu D15/199
D677,294 S * 3/2013 Long D15/199
D678,378 S * 3/2013 Selic D15/199
D681,708 S * 5/2013 Miyake D15/199
D690,753 S * 10/2013 Liu D15/199
D691,498 S * 10/2013 Bailey D10/63
D692,041 S * 10/2013 Selic D15/199
D696,325 S * 12/2013 Dekar D15/199
D769,343 S * 10/2016 Bordegnoni D15/199
D800,813 S * 10/2017 Zhu D15/199
2012/0024091 A1 * 2/2012 Kawabuchi B25J 9/045
74/37
2017/0225324 A1 * 8/2017 Yoon B25J 9/06

OTHER PUBLICATIONS

“CORO.” Found online May 23, 2018 at coro.etsmtl.ca. Page dated Mar. 3, 2014. Retrieved from URL: <http://coro.etsmtl.ca/blog/?p=225> (Year: 2014).*

* cited by examiner

Fig. 1

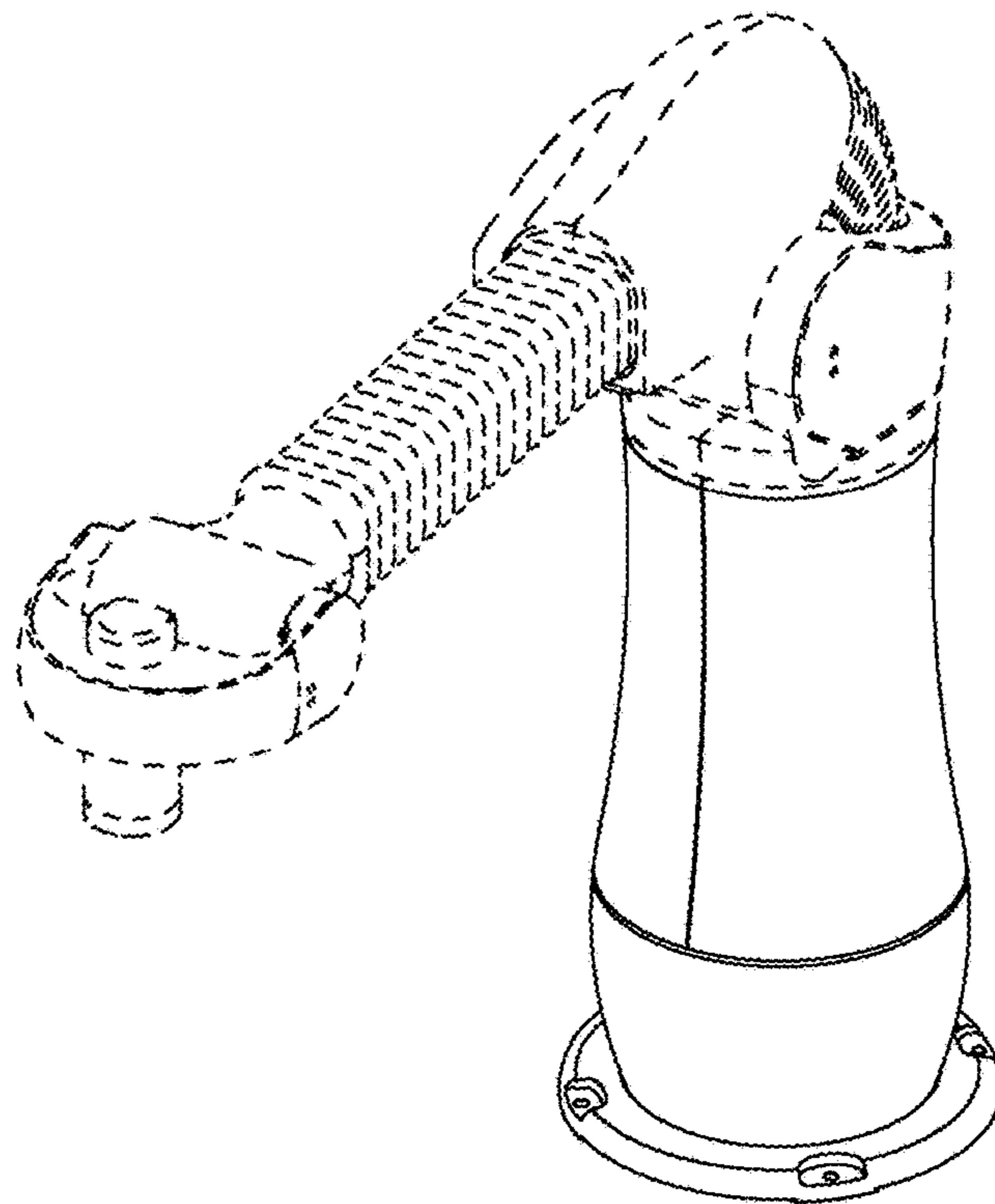


Fig. 2

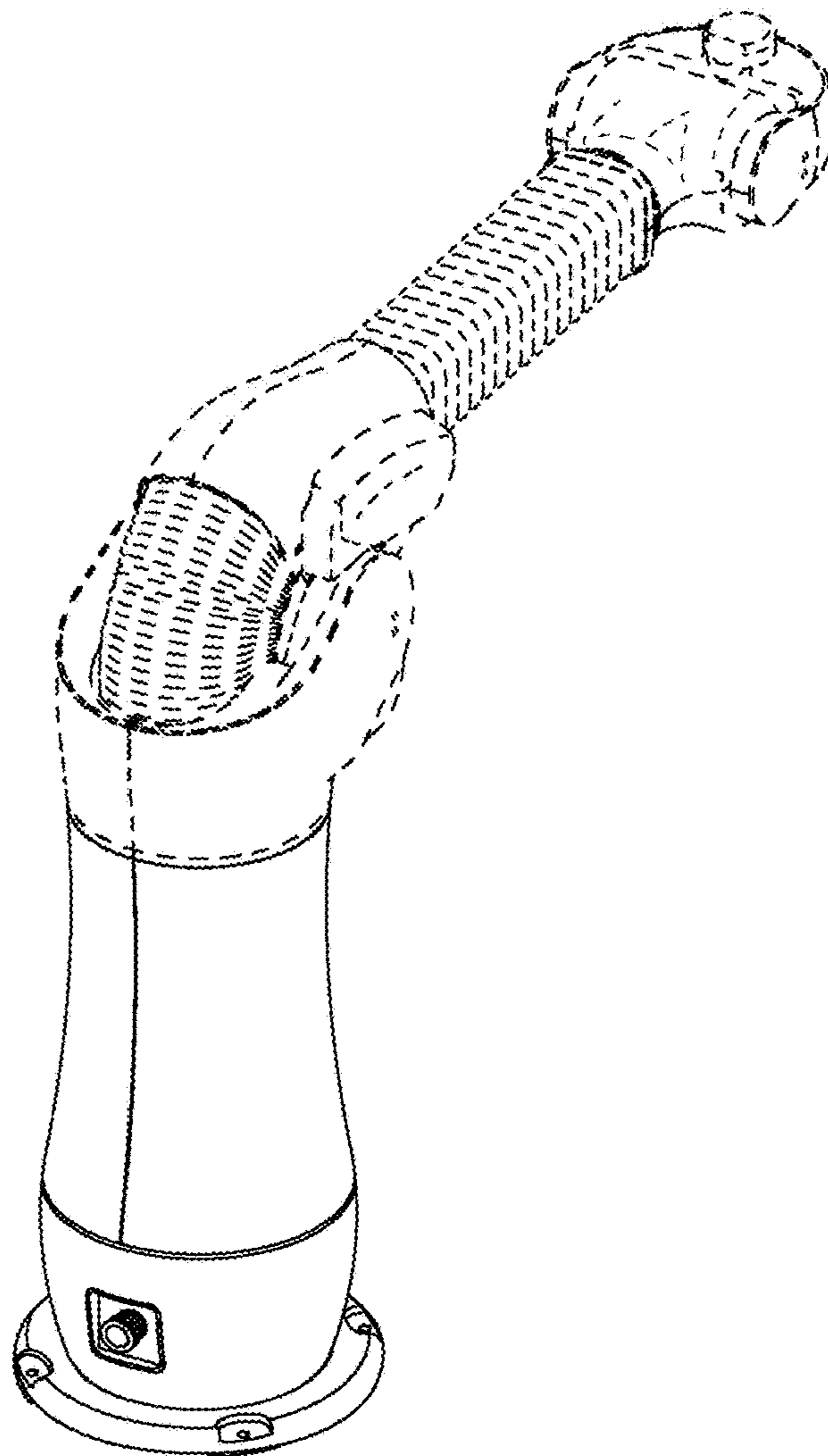


Fig. 3

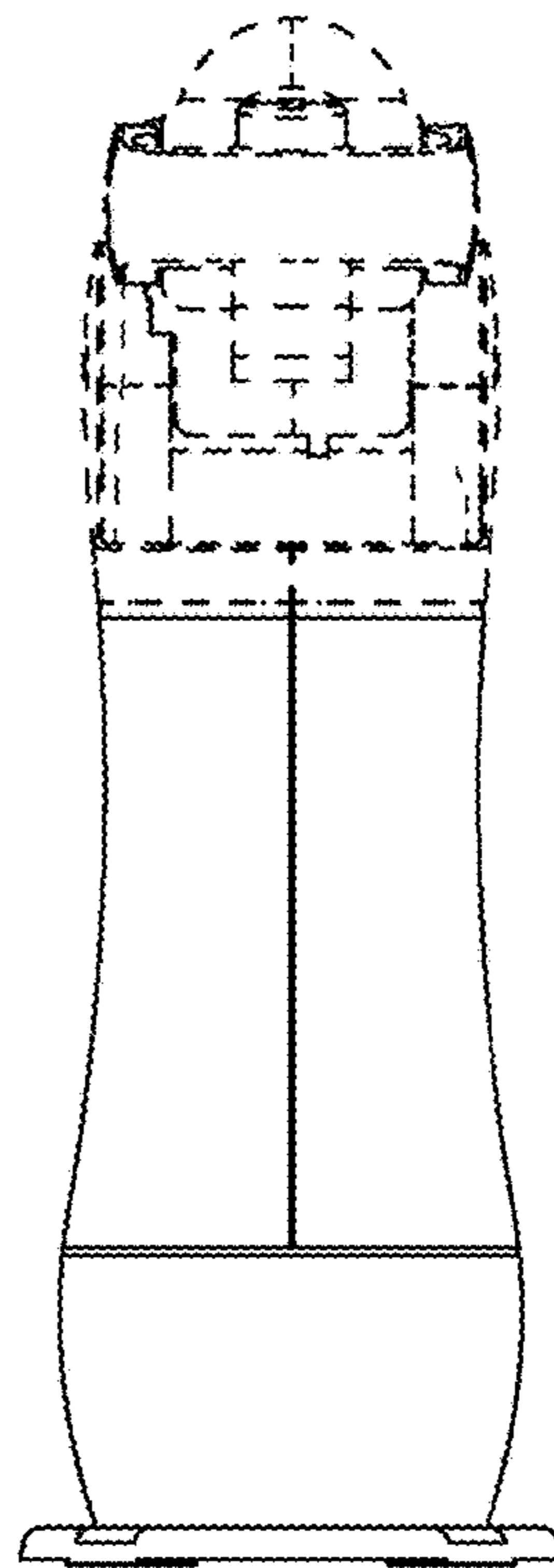
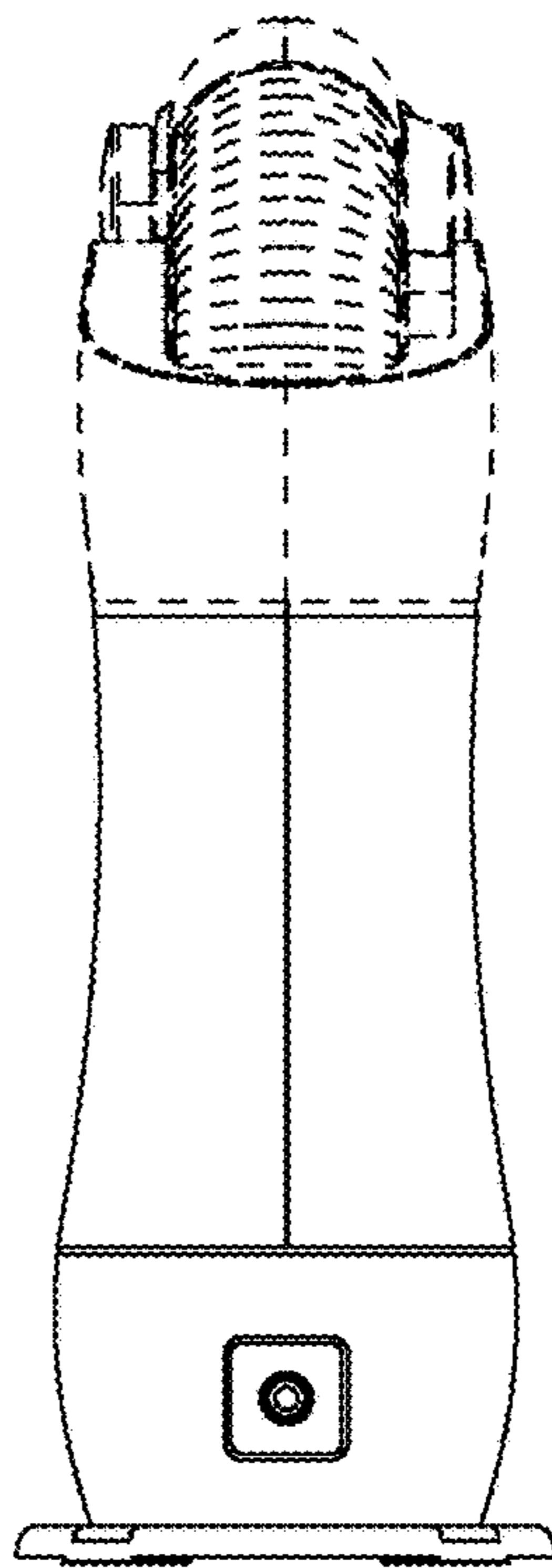


Fig. 4



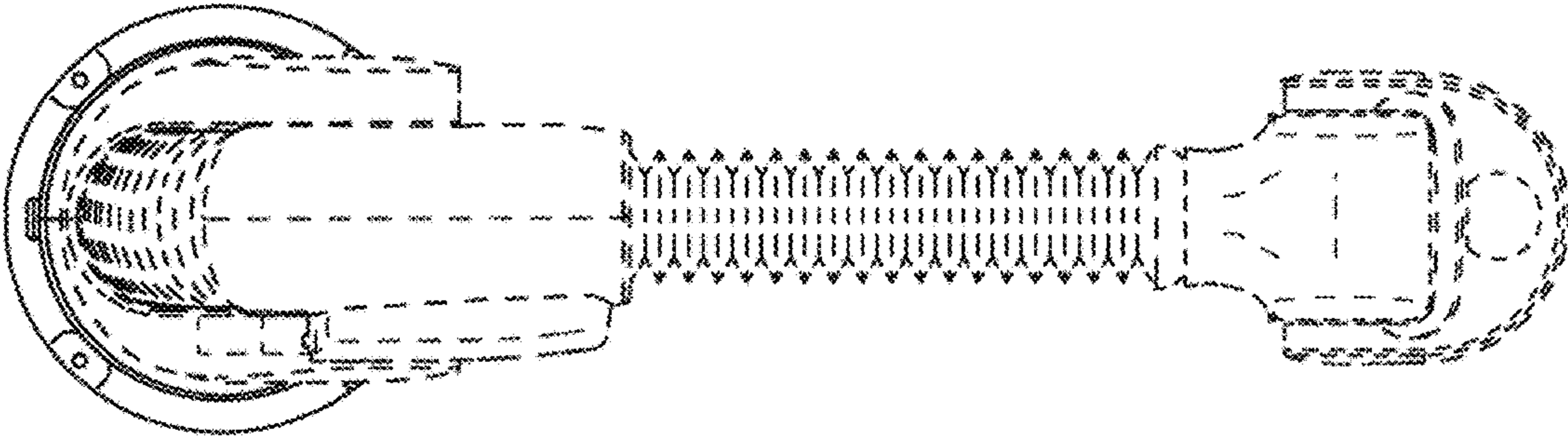


FIG. 5

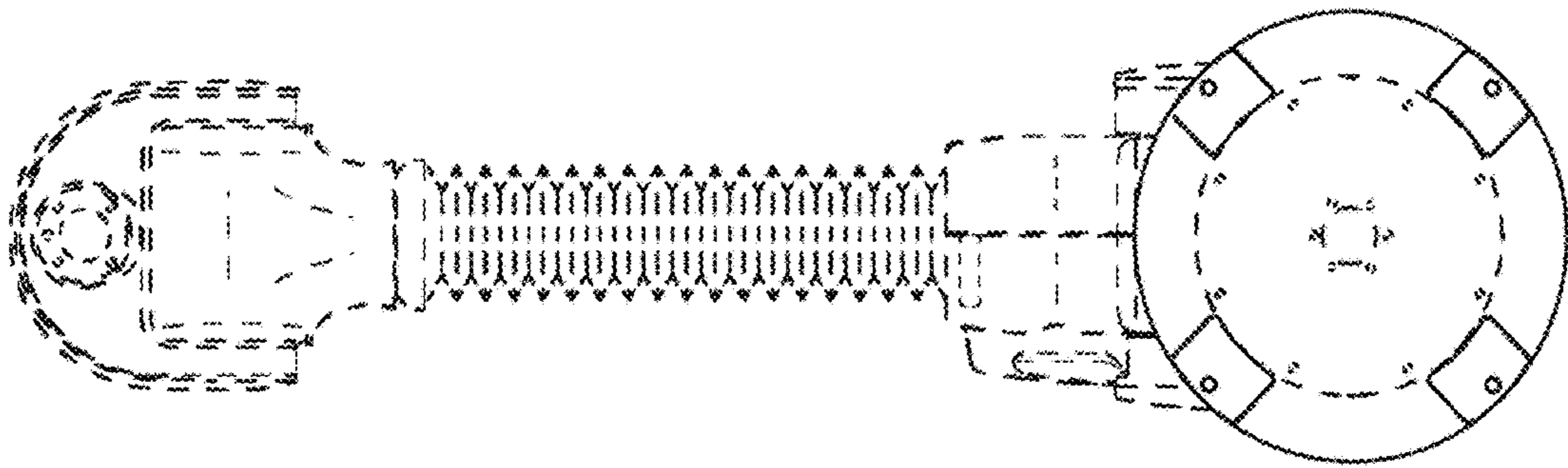


Fig. 6

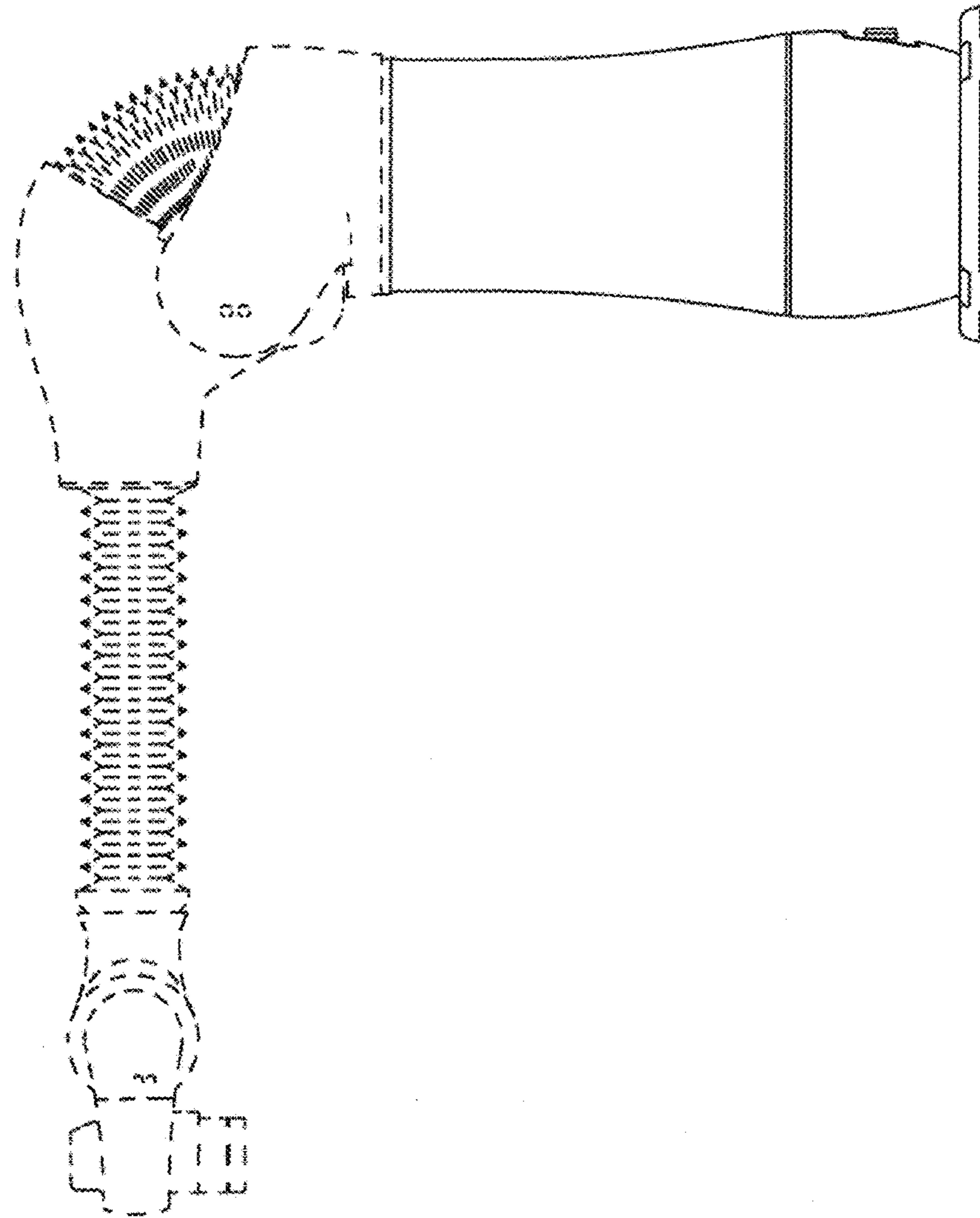


FIG. 7

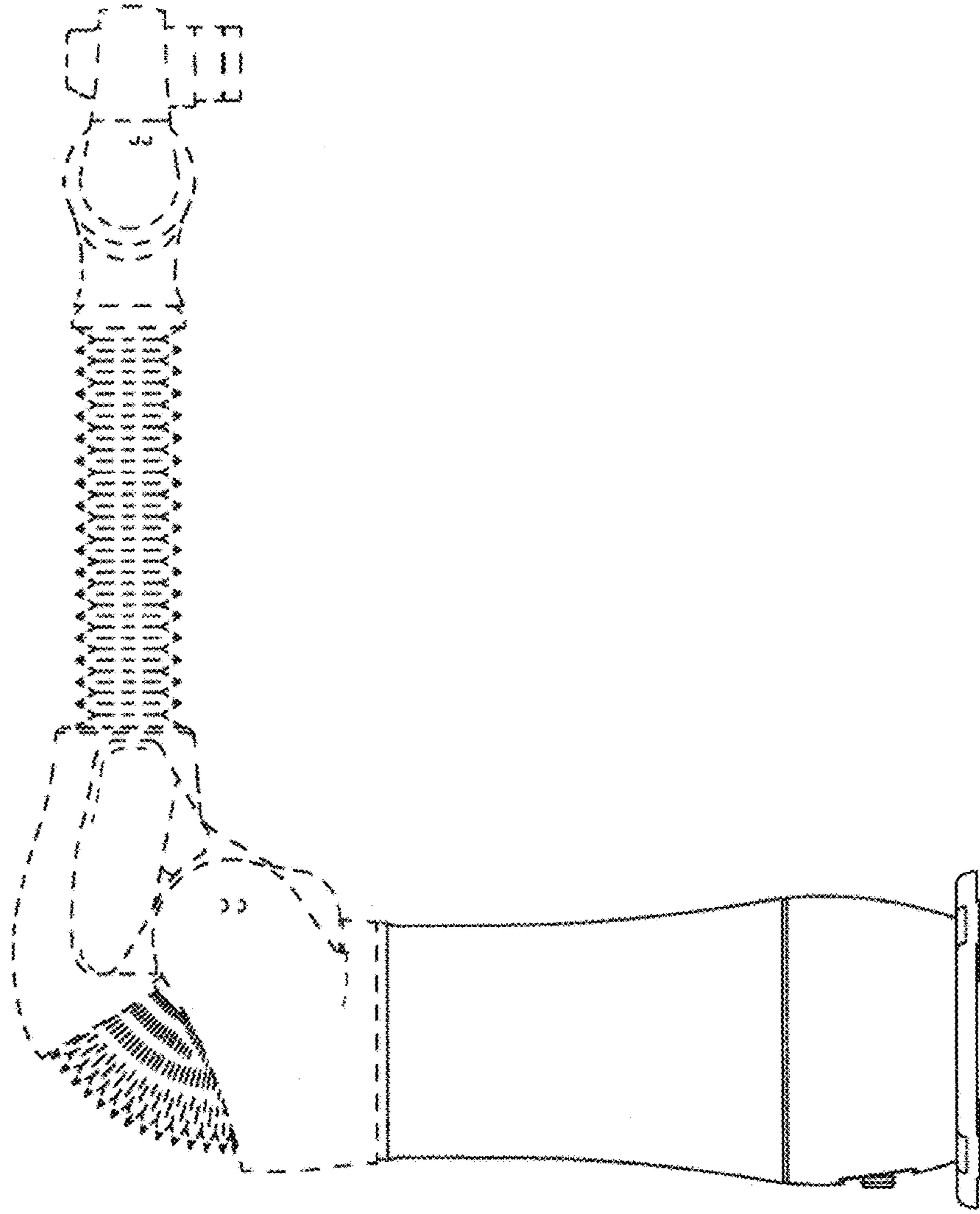


FIG. 8

Fig. 9

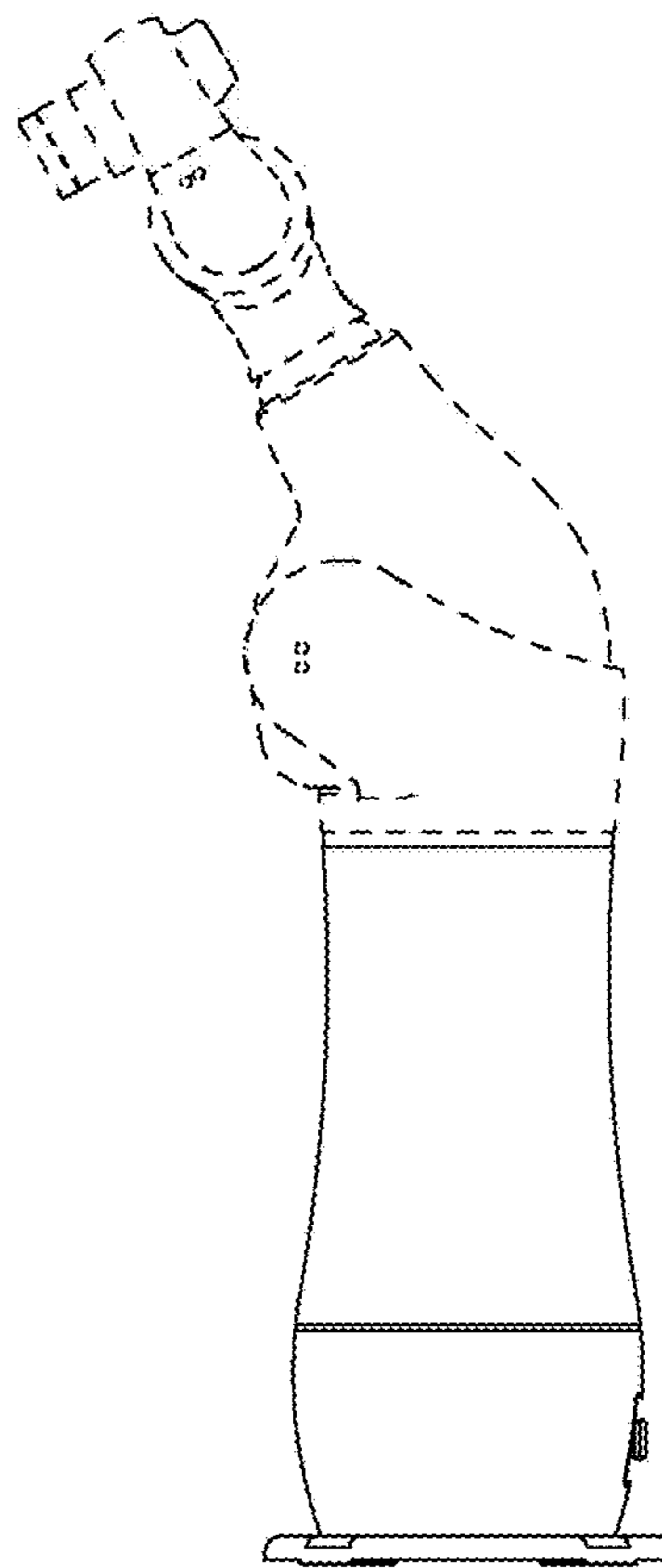


Fig. 10

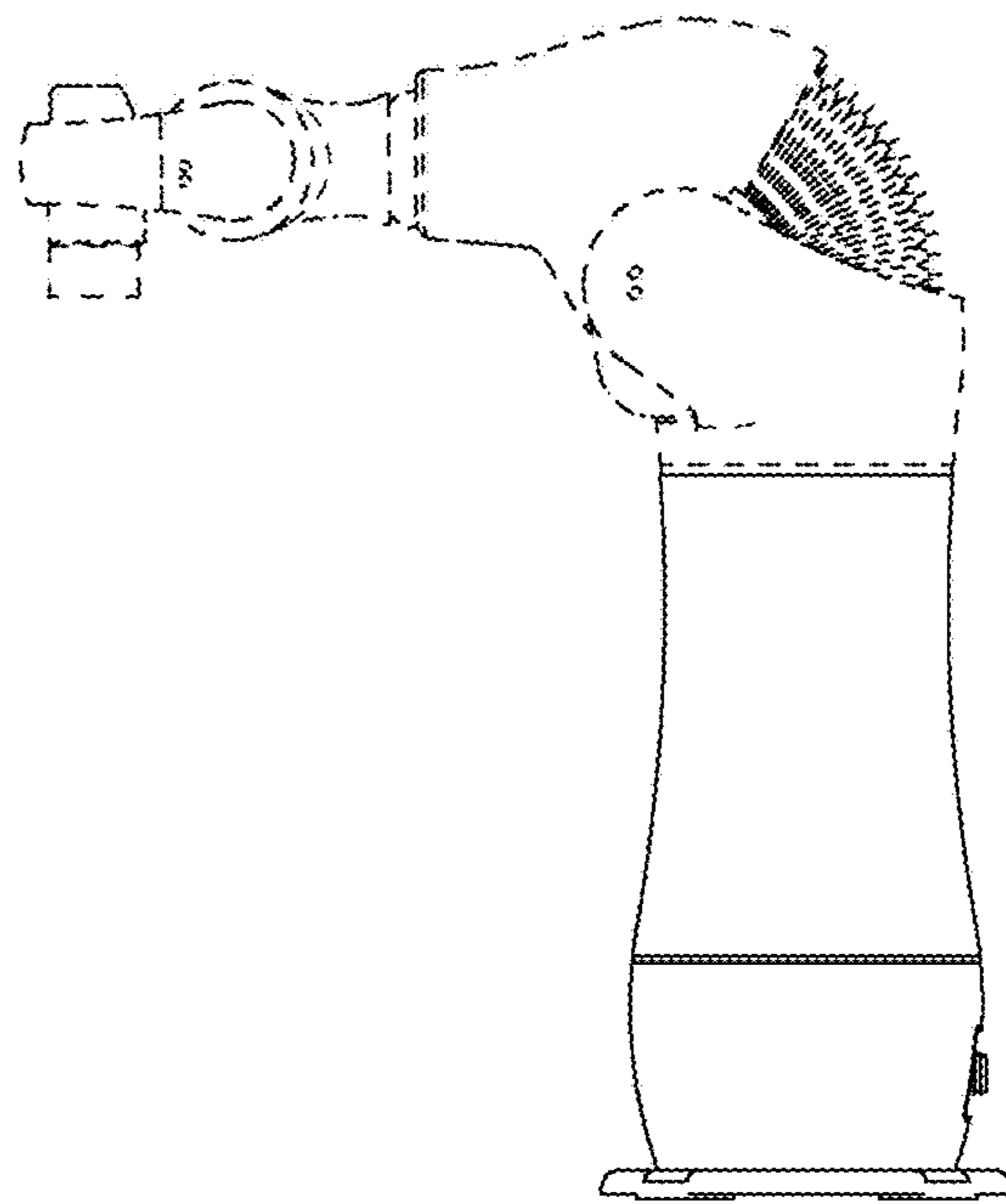
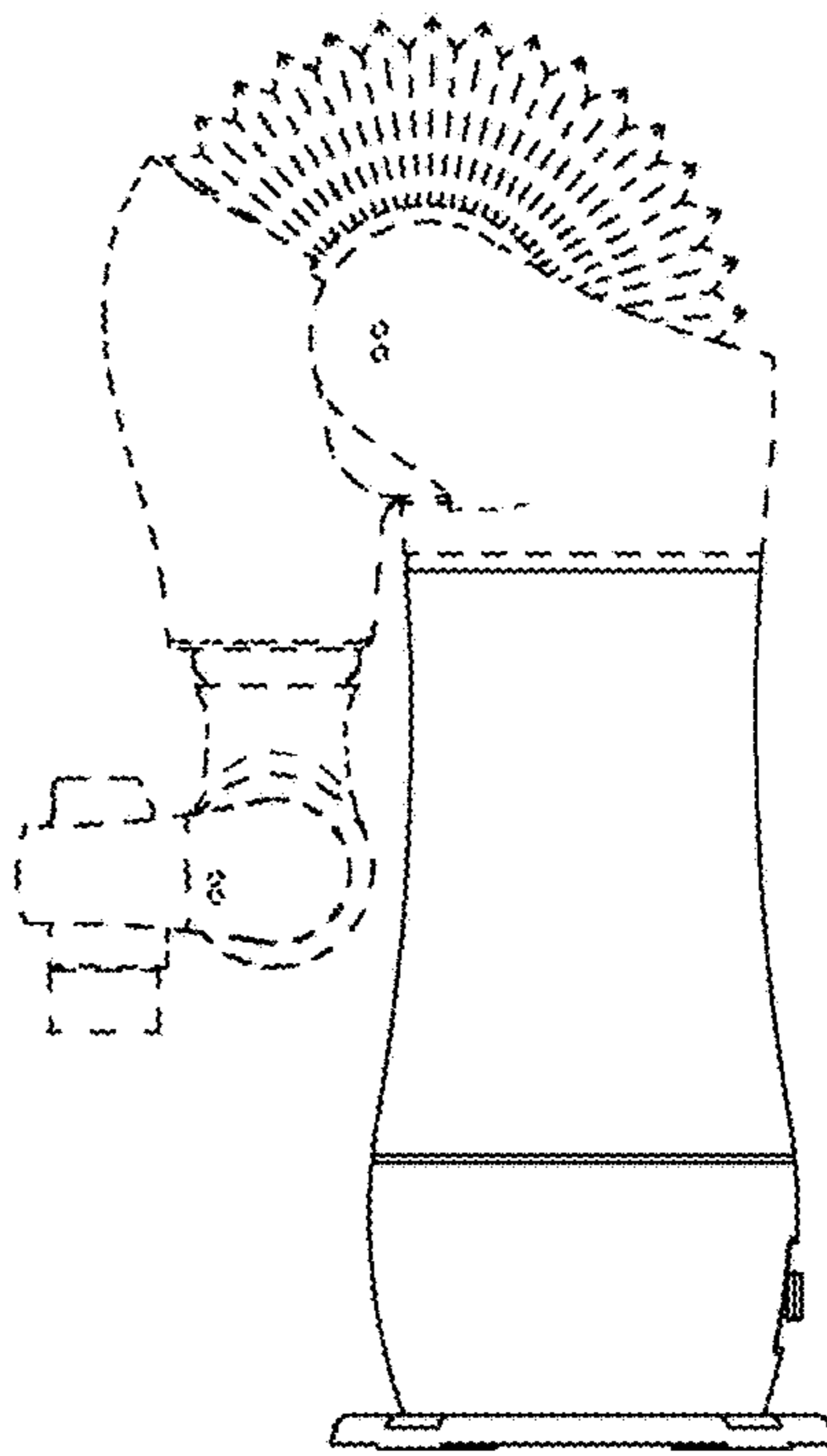
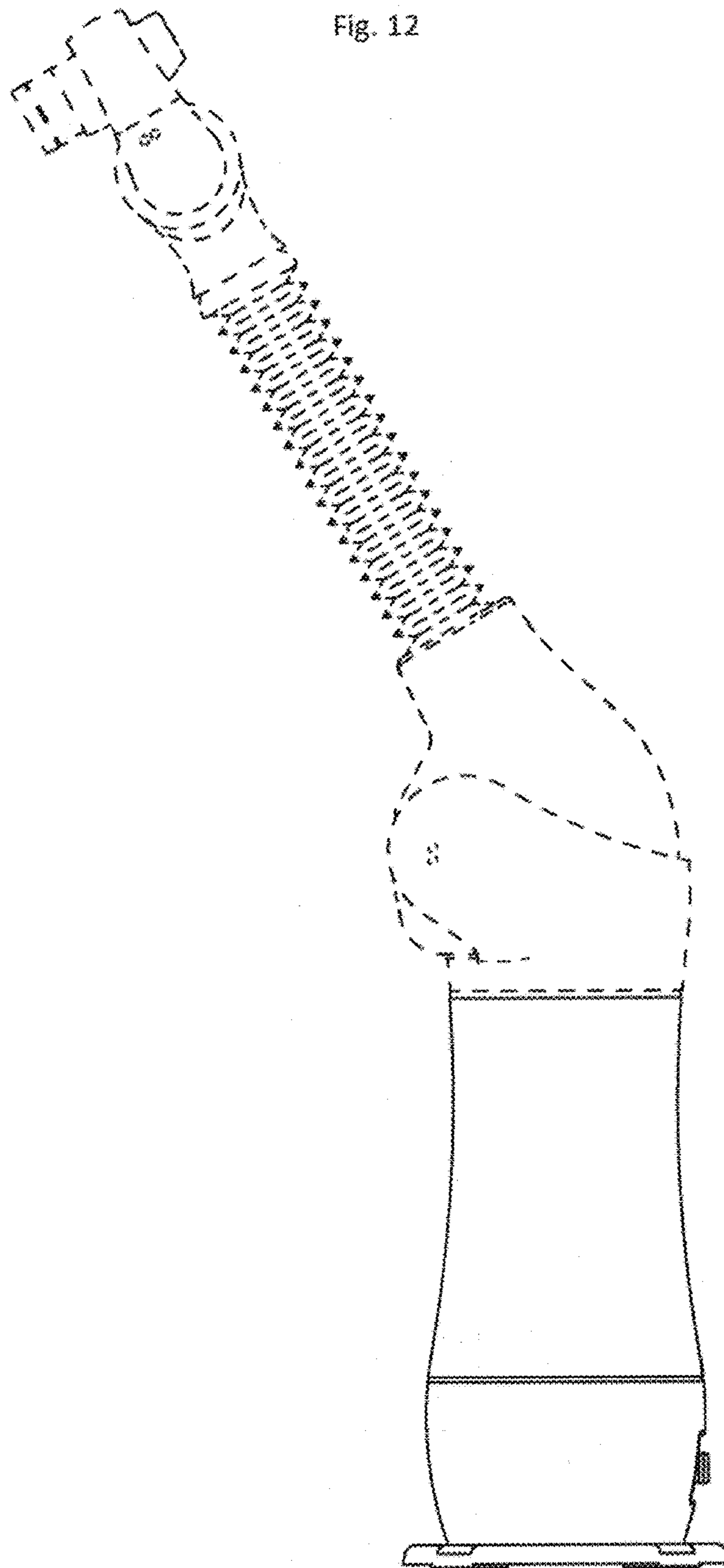


Fig. 11





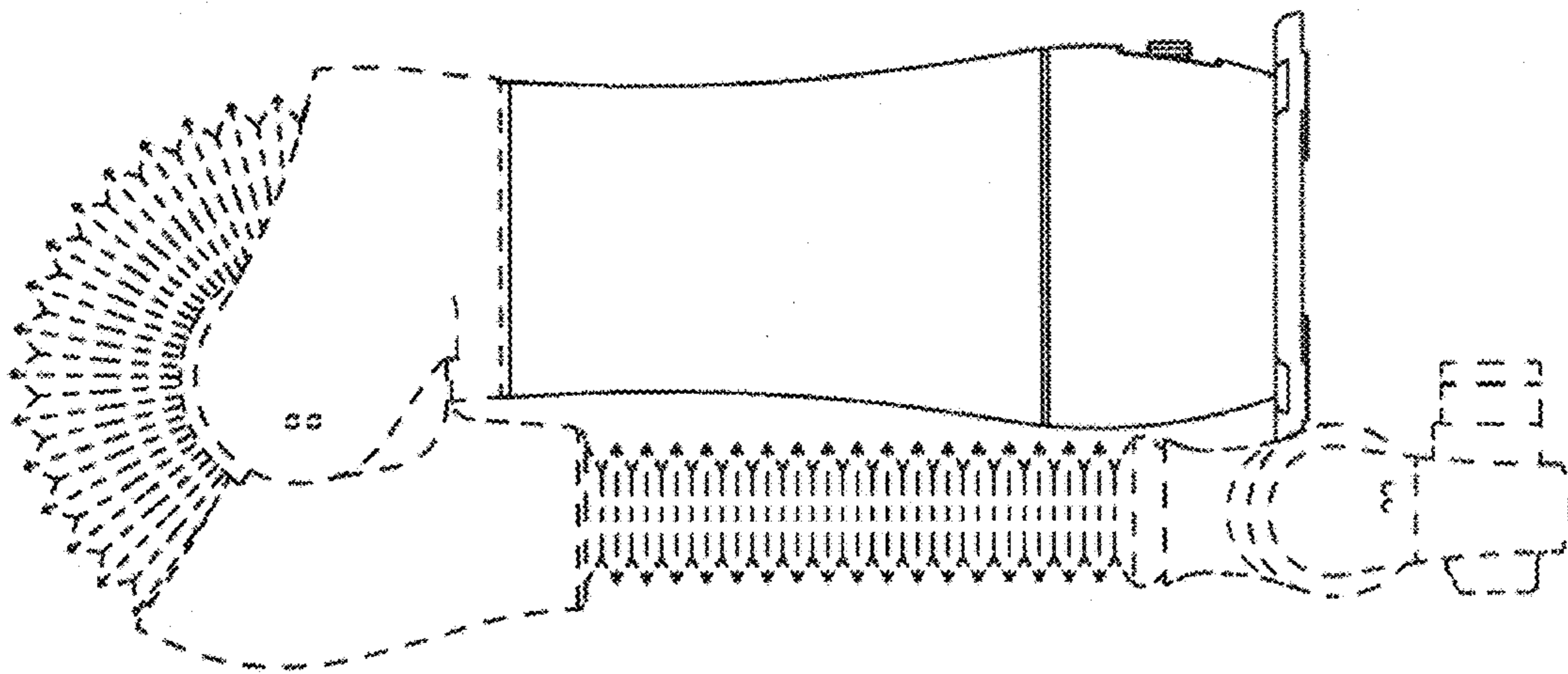


Fig. 13