



US00D844038S

(12) **United States Design Patent**
Alfano et al.

(10) **Patent No.:** **US D844,038 S**

(45) **Date of Patent:** **** Mar. 26, 2019**

(54) **ROTARY ACTUATOR**

(71) Applicants: **Don Alfano**, Roscoe, IL (US); **Tony Giannetto**, Centereach, NY (US)

(72) Inventors: **Don Alfano**, Roscoe, IL (US); **Tony Giannetto**, Centereach, NY (US)

(**) Term: **15 Years**

(21) Appl. No.: **29/633,760**

(22) Filed: **Jan. 16, 2018**

(51) **LOC (11) Cl.** **15-09**

(52) **U.S. Cl.**
USPC **D15/148**

(58) **Field of Classification Search**
USPC D12/345; D13/118, 158, 162, 184;
D15/1-5, 7, 9, 143, 148, 149, 199
CPC B66F 3/18; F16H 19/04; F16H 19/039;
H01F 7/066
See application file for complete search history.

(56) **References Cited**

U.S. PATENT DOCUMENTS

D141,554 S *	6/1945	Lear	74/6
D143,080 S *	12/1945	Lear et al.	74/1 R
D239,562 S *	4/1976	Matousek et al.	D13/112
D313,650 S *	1/1991	Odegaard	D23/386
D400,220 S *	10/1998	Nemoto	D15/148
D412,918 S *	8/1999	Nagai	D15/149
D459,742 S *	7/2002	Abrahamsen	D15/143
D497,620 S *	10/2004	Morton	D15/7
6,848,672 B2 *	2/2005	Cross	F16K 31/055 251/292
D517,105 S *	3/2006	Negishi	D15/199
D518,837 S *	4/2006	Taguchi	D15/143
D522,027 S *	5/2006	Saito	D15/148
D523,880 S *	6/2006	Christensen	D15/143
D571,290 S *	6/2008	Gebhart	D13/112
D577,753 S *	9/2008	Lund	D15/143

D587,661 S *	3/2009	Blakesley	D13/158
D589,543 S *	3/2009	Lin	D15/143
D594,487 S *	6/2009	Lund	D15/143
D595,753 S *	7/2009	Tseng	D15/143
D596,653 S *	7/2009	Fukano	D15/143
D610,655 S *	2/2010	Schmidt	D23/249
D621,860 S *	8/2010	Fukano	D13/107
D624,099 S *	9/2010	Fukano	D13/158
D646,310 S *	10/2011	Lan	D15/143
D649,098 S *	11/2011	Ohnishi	D12/180
D654,524 S *	2/2012	Iversen	D15/199
D661,631 S *	6/2012	Bohm	D12/180
D719,595 S *	12/2014	Landerholm	D15/143
D727,714 S *	4/2015	Gherlenda	D8/331
D776,729 S *	1/2017	Wu	D15/143
D778,968 S *	2/2017	Luck	D15/143
D792,490 S *	7/2017	Lin	D15/143
D792,491 S *	7/2017	Lin	D15/143

(Continued)

Primary Examiner — Patricia A Palasik

(74) *Attorney, Agent, or Firm* — MacMillan, Sobanski & Todd, LLC

(57) **CLAIM**

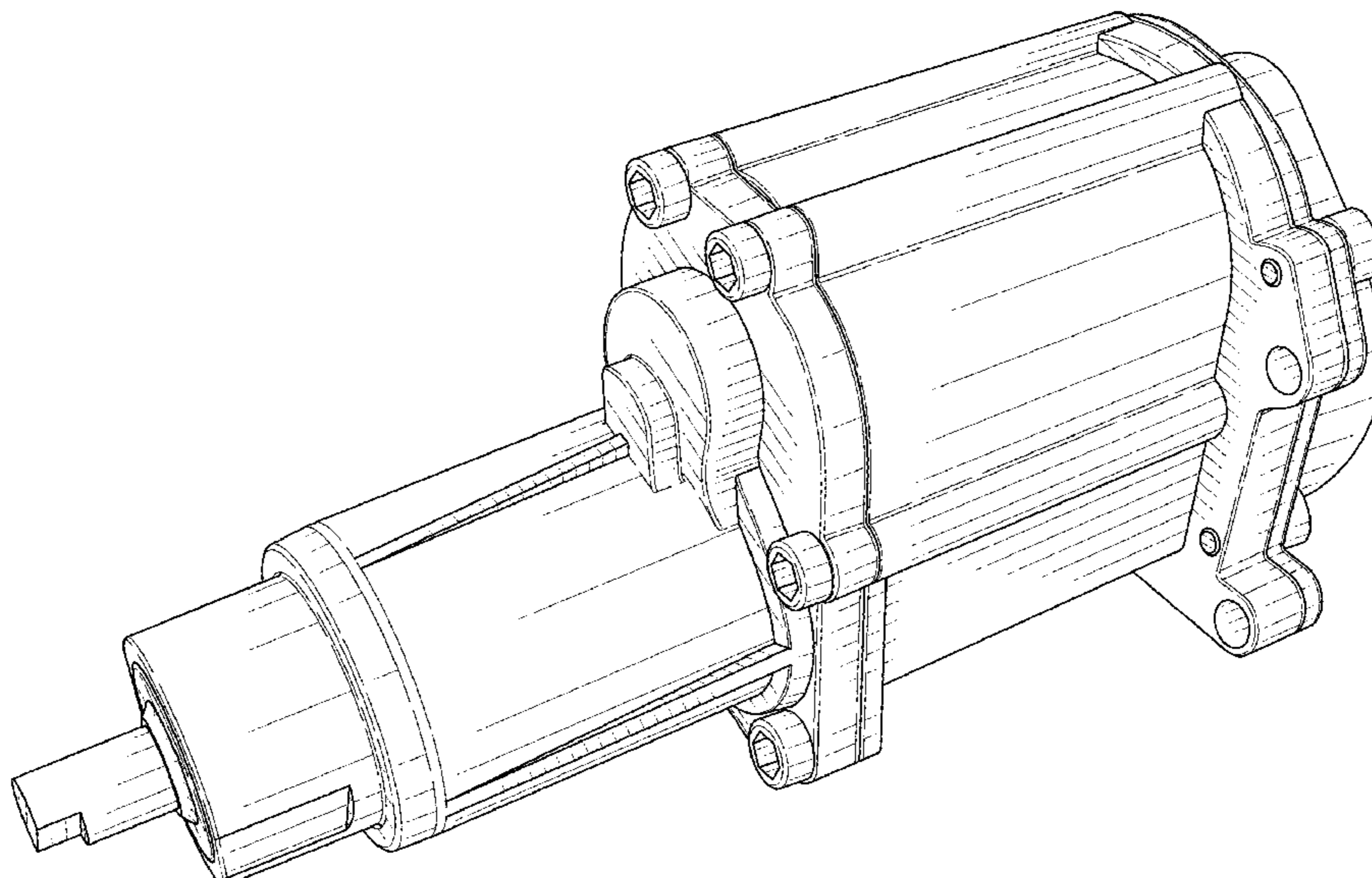
The ornamental design for a rotary actuator, as shown and described.

DESCRIPTION

FIG. 1 is a side perspective view of a rotary actuator showing our new design;
FIG. 2 is a front view thereof;
FIG. 3 is a rear view thereof;
FIG. 4 is a side view thereof;
FIG. 5 is another side view thereof;
FIG. 6 is a top view thereof; and,
FIG. 7 is a bottom view thereof.

The broken lines in the drawings depict unclaimed environmental subject matter of the rotary actuator.
The shade lines in the figures show contour and not surface ornamentation.

1 Claim, 6 Drawing Sheets



(56)

References Cited

U.S. PATENT DOCUMENTS

D800,195 S * 10/2017 Lin D15/148
D806,151 S * 12/2017 Landerholm D15/143
D819,101 S * 5/2018 Ishikawa D15/148
2003/0233896 A1 * 12/2003 Nagai F16H 25/2204
74/89.23
2006/0238051 A1 * 10/2006 Sesita H02K 7/1166
310/90
2008/0120977 A1 * 5/2008 Safran F03G 7/06
60/531
2015/0143686 A1 * 5/2015 Blacket B21J 15/027
29/525.06
2017/0350479 A1 * 12/2017 Shimizu B22F 3/02
2018/0172032 A1 * 6/2018 Modinger F16K 31/1635
2018/0287450 A1 * 10/2018 Alfano H02K 5/10

* cited by examiner

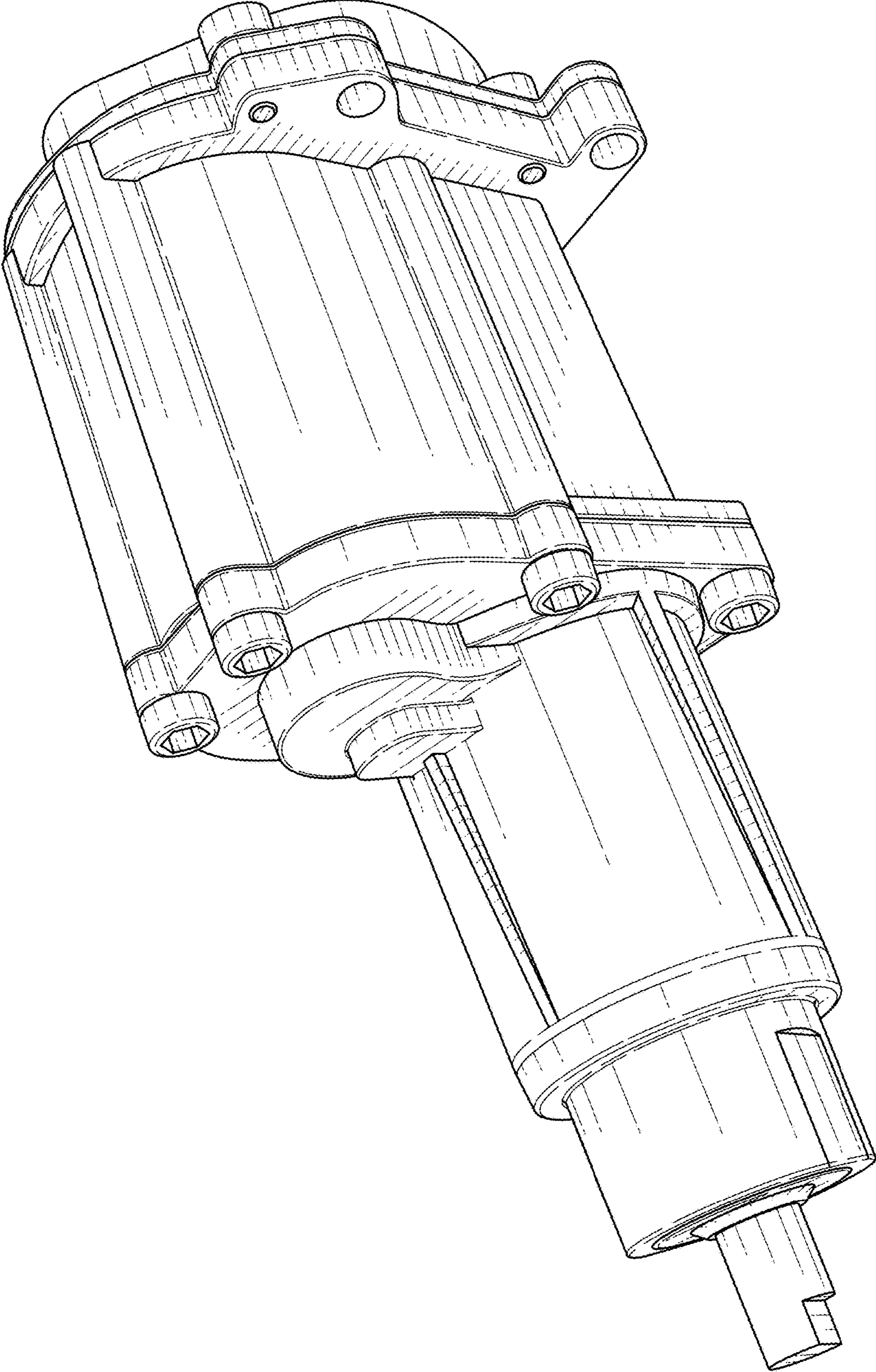


FIG. 1

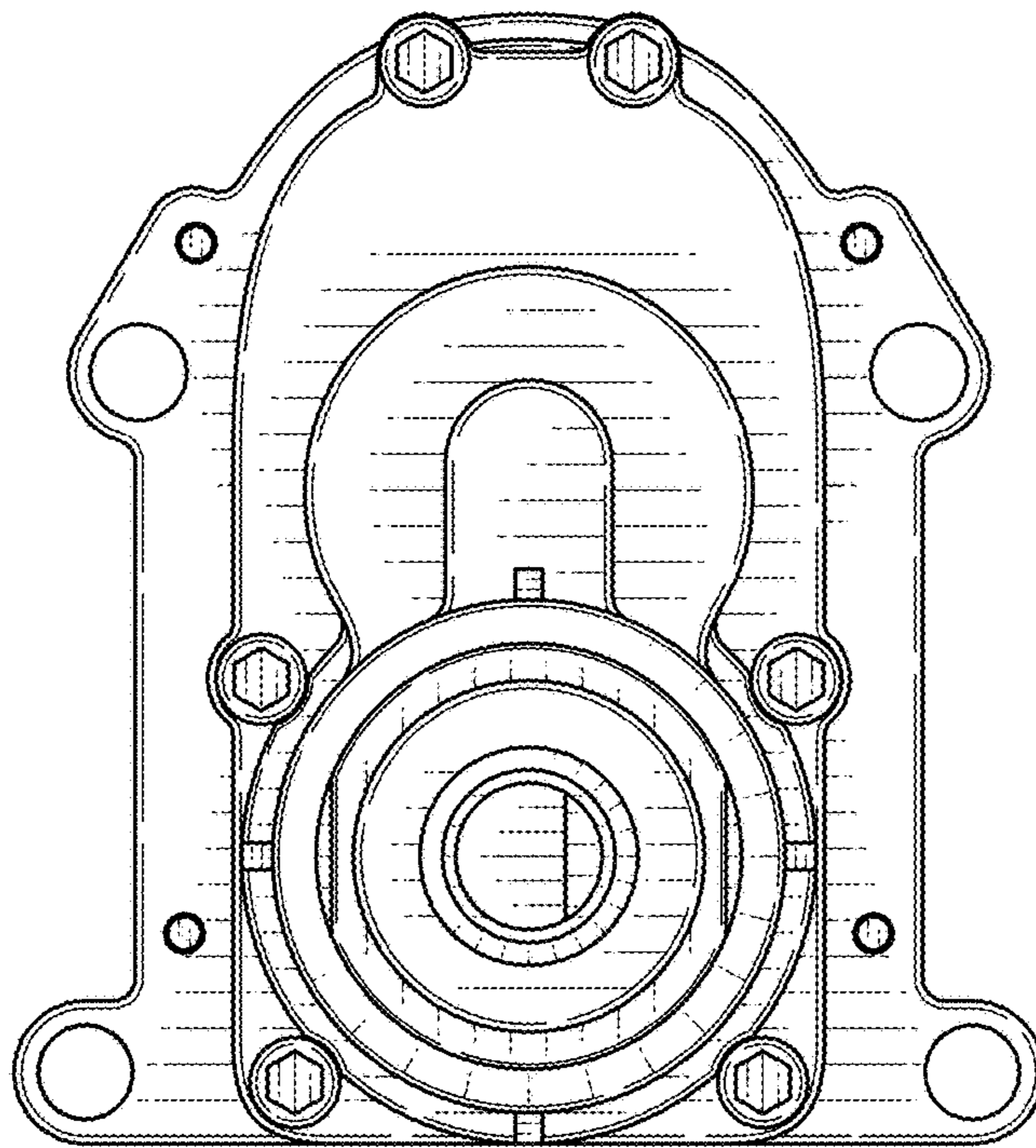


FIG. 2

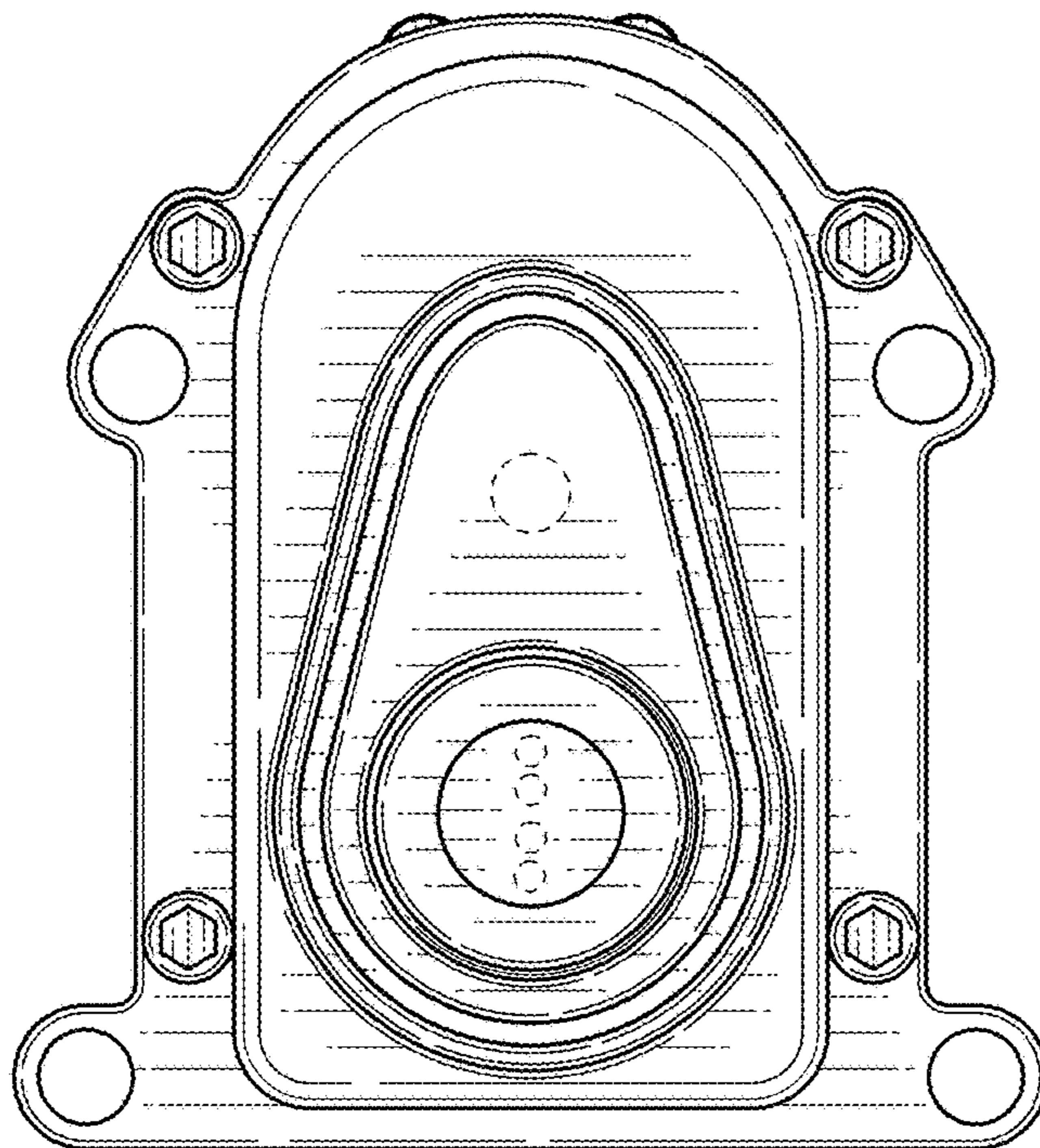


FIG. 3

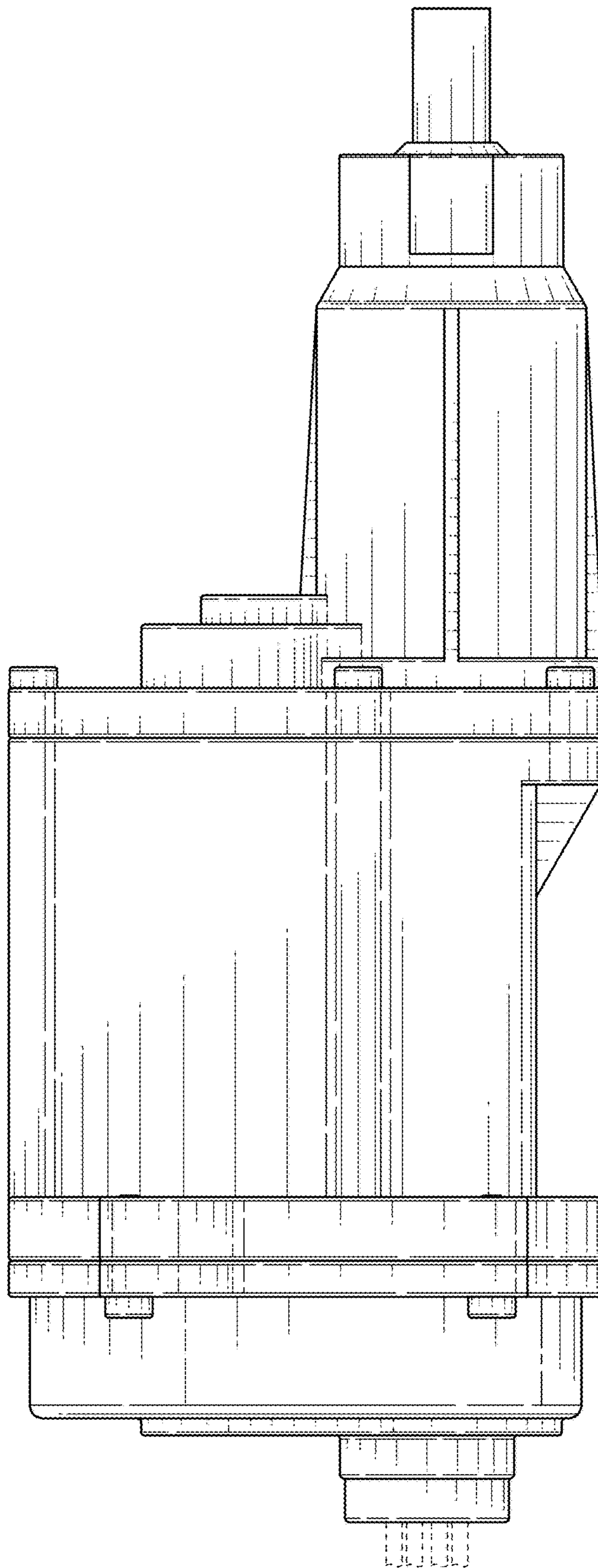


FIG. 4

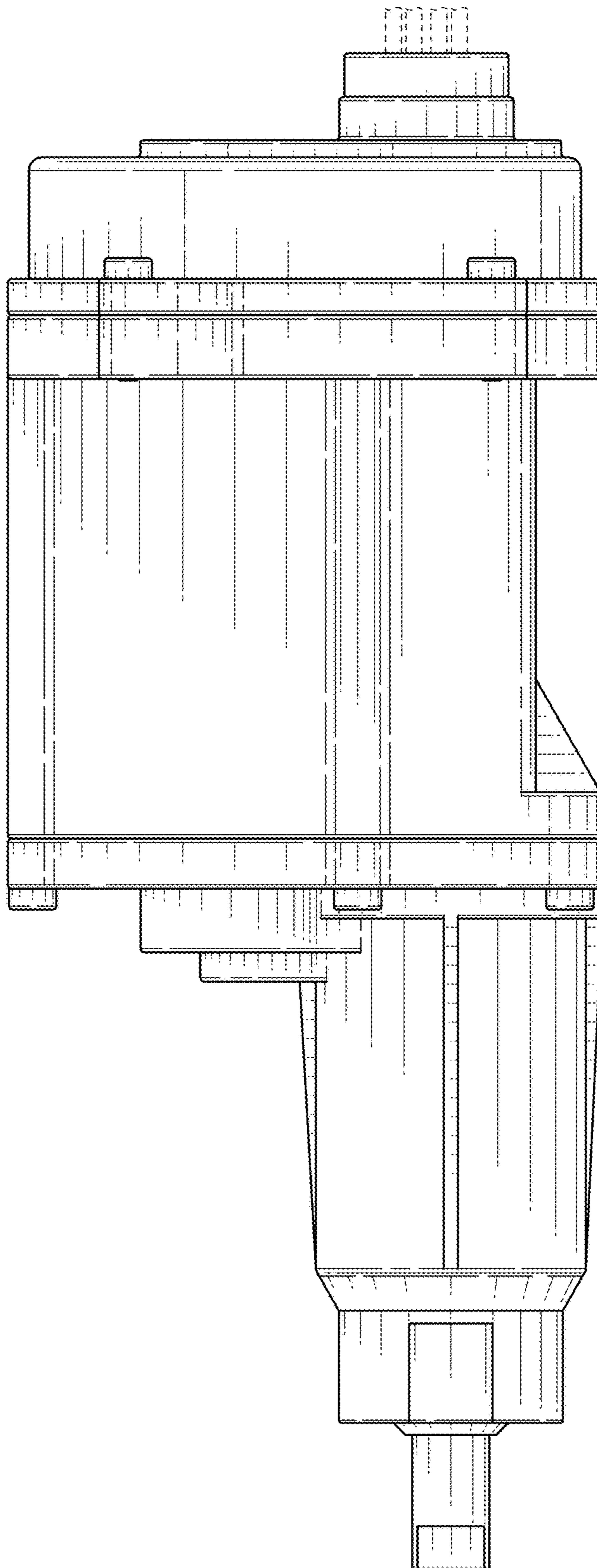


FIG. 5

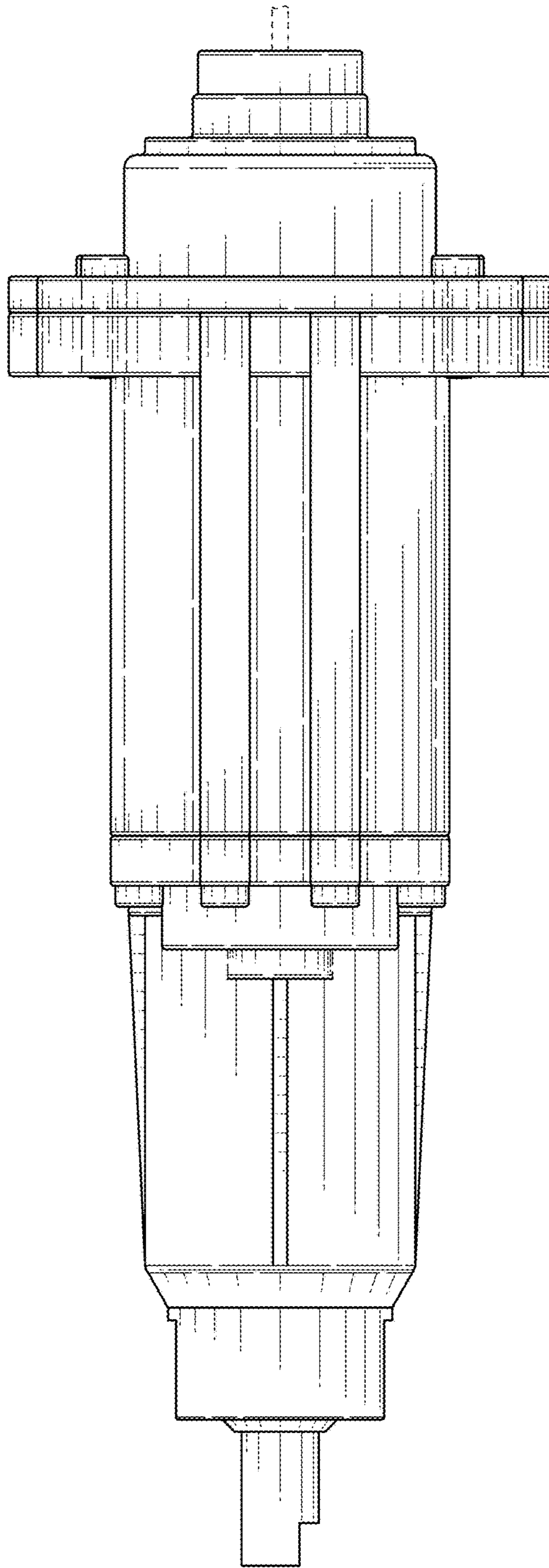


FIG. 6

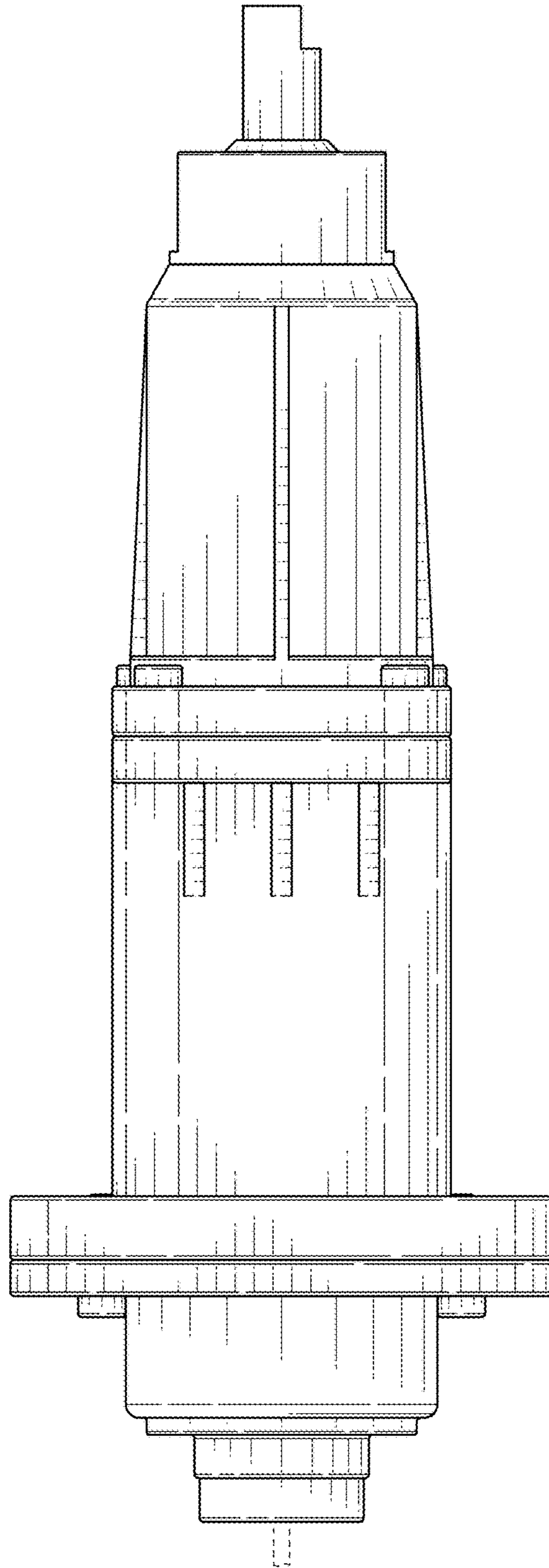


FIG. 7