



US00D844037S

(12) **United States Design Patent** (10) **Patent No.:** **US D844,037 S**
Stevens et al. (45) **Date of Patent:** **** Mar. 26, 2019**

(54) **FILM DISPENSER FOR USE WITH CORELESS FILM ROLL**
(71) Applicant: **Inteplast Group Corporation**, Livingston, NJ (US)
(72) Inventors: **Scott Stevens**, Edna, TX (US); **James R. Love**, Sand Springs, OK (US)
(73) Assignee: **Inteplast Group Corporation**, Livingston, NJ (US)
(**) Term: **15 Years**
(21) Appl. No.: **29/586,047**
(22) Filed: **Nov. 30, 2016**
(51) **LOC (11) Cl.** **15-99**
(52) **U.S. Cl.**
USPC **D15/145**; D8/358
(58) **Field of Classification Search**
USPC D6/518, 521; D8/70.1, 356, 358; D15/145; D16/237, 246, 249, 250; D9/455, 711; 53/221, 389.4, 390, 441; 156/577; 225/1, 39, 77, 89; 242/423, 242/423.1, 578.2, 588, 599.2; 396/661
CPC ... B65B 11/045; B65B 11/025; B65B 67/085; B65H 75/185; B65H 2701/1944; B65H 2301/418526; B65H 75/241; B65H 16/005;

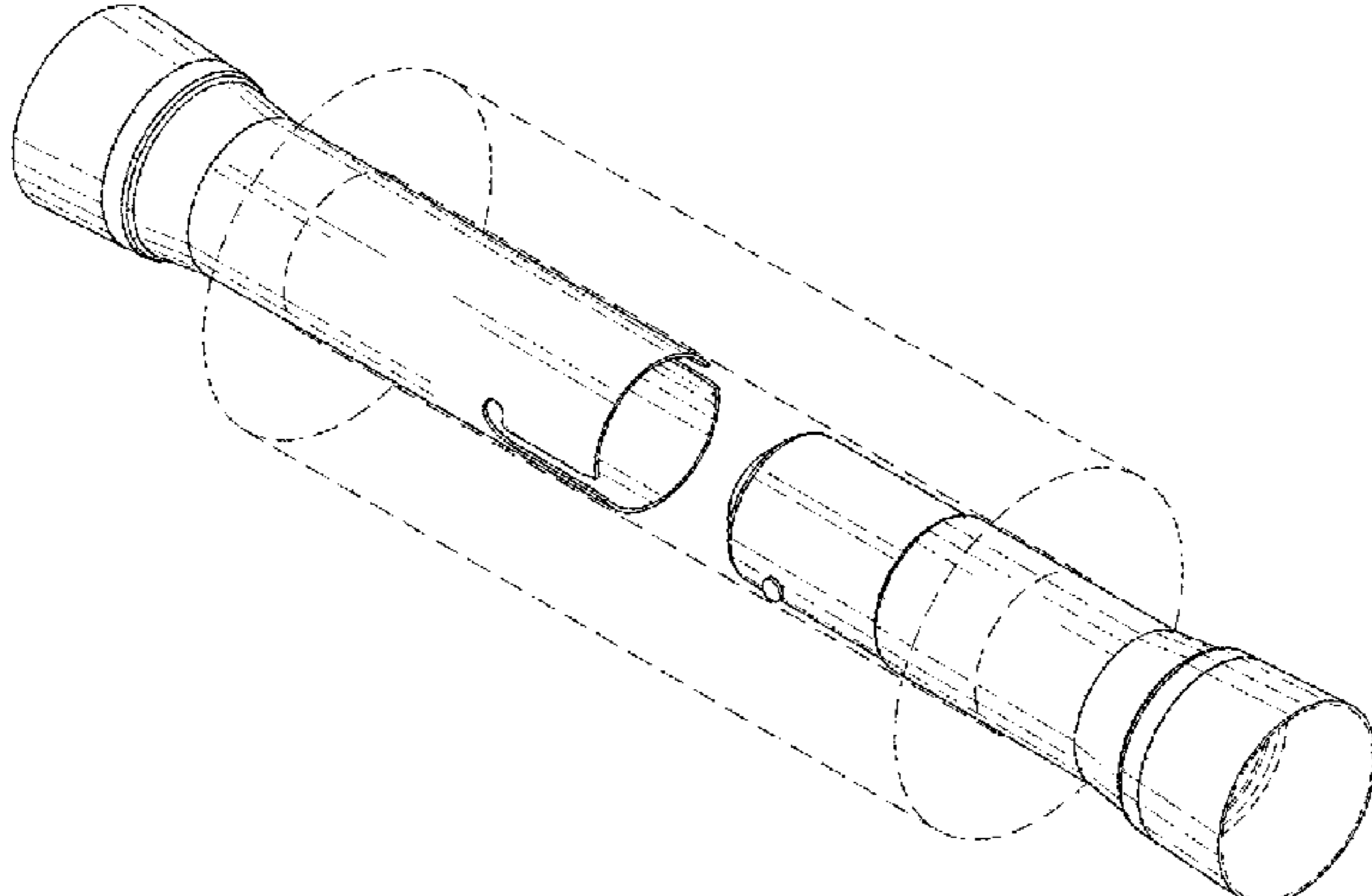
(Continued)
(56) **References Cited**
U.S. PATENT DOCUMENTS
1,098,479 A 6/1914 Clark et al.
2,064,067 A * 12/1936 Knorr B43K 29/04 242/588
D106,053 S * 9/1937 Maguire D6/542
(Continued)

Primary Examiner — David G Muller
Assistant Examiner — Nathan M Johnston

(74) *Attorney, Agent, or Firm* — Stinson Leonard Street LLP
(57) **CLAIM**
The ornamental design for a film dispenser for use with coreless film roll, as shown and described.

DESCRIPTION
FIG. 1 is a perspective view of a film dispenser for use with a coreless film roll showing our new design in use; FIG. 2 is another perspective view of the film dispenser of FIG. 1 without environmental subject matter; FIG. 3 is a front elevation view thereof; FIG. 4 is a top plan view thereof; FIG. 5 is an enlarged right side elevation view thereof; FIG. 6 is a rear elevation view thereof; FIG. 7 is a bottom plan view thereof; FIG. 8 is an enlarged left side elevation view thereof; FIG. 9 is a perspective view of the film dispenser in an engaged configuration; FIG. 10 is a perspective view of a female film dispenser half of the film dispenser shown separately for clarity; FIG. 11 is a front elevation view thereof; FIG. 12 is a top plan view thereof; FIG. 13 is an enlarged left side elevation view thereof; FIG. 14 is a rear elevation view thereof; FIG. 15 is a bottom plan view thereof; FIG. 16 is an enlarged right side elevation view thereof; FIG. 17 is a perspective view of a male dispenser half of the film dispenser shown separately for clarity; FIG. 18 is a front elevation view thereof; FIG. 19 is a top plan view thereof; FIG. 20 is an enlarged right side elevation view thereof; FIG. 21 is a rear elevation view thereof; FIG. 22 is a bottom plan view thereof; and, FIG. 23 is enlarged left side elevation view thereof.
The broken lines shown in the figures that are immediately adjacent to the shaded areas and define unshaded regions represent the bounds of the claim, while all other broken lines show environmental subject matter; the broken lines form no part of the claimed design.

1 Claim, 23 Drawing Sheets



(58)	<p>Field of Classification Search CPC B65H 2403/731; B65H 2511/12; B65H 2220/04 See application file for complete search history.</p>	<p>7,665,686 B2 * 2/2010 Becker B65H 16/04 242/588.2 7,937,915 B2 5/2011 Kohn et al. 7,942,364 B2 5/2011 Yu Chen 8,302,435 B2 * 11/2012 Burmesch B60D 1/02 70/14</p>
(56)	<p>References Cited U.S. PATENT DOCUMENTS</p>	<p>8,616,490 B2 12/2013 Blok D707,532 S * 6/2014 Stangl D8/356 D719,826 S * 12/2014 Burnside D9/447 D738,414 S * 9/2015 Chen D15/145 9,150,381 B2 * 10/2015 Li B65H 75/242 D745,364 S * 12/2015 Chen D8/330 D786,699 S * 5/2017 Shipulin D9/711 2002/0108407 A1 * 8/2002 Zapushek B60D 1/60 70/34 2003/0223914 A1 * 12/2003 Arter B01L 3/08 422/501 2004/0098952 A1 * 5/2004 Burdorff B65B 67/04 53/575 2005/0145406 A1 * 7/2005 Hall E21B 17/003 174/37 2007/0151208 A1 * 7/2007 Huang B65B 67/085 53/390 2009/0084074 A1 * 4/2009 Barbery B65B 67/085 53/441 2009/0308968 A1 12/2009 Piotrowski et al. 2011/0041458 A1 2/2011 Yu Chen 2011/0042504 A1 * 2/2011 Yu Chen B65H 75/241 242/578.2 2012/0193388 A1 * 8/2012 Machota A24F 17/00 225/39 2013/0186997 A1 7/2013 Martinez et al. 2013/0227913 A1 * 9/2013 Harrison B65B 67/085 53/203 2015/0321800 A1 * 11/2015 Viale B65D 47/06 215/43 2016/0347574 A1 * 12/2016 Yu Chen B65H 75/242</p>
		<p>* cited by examiner</p>

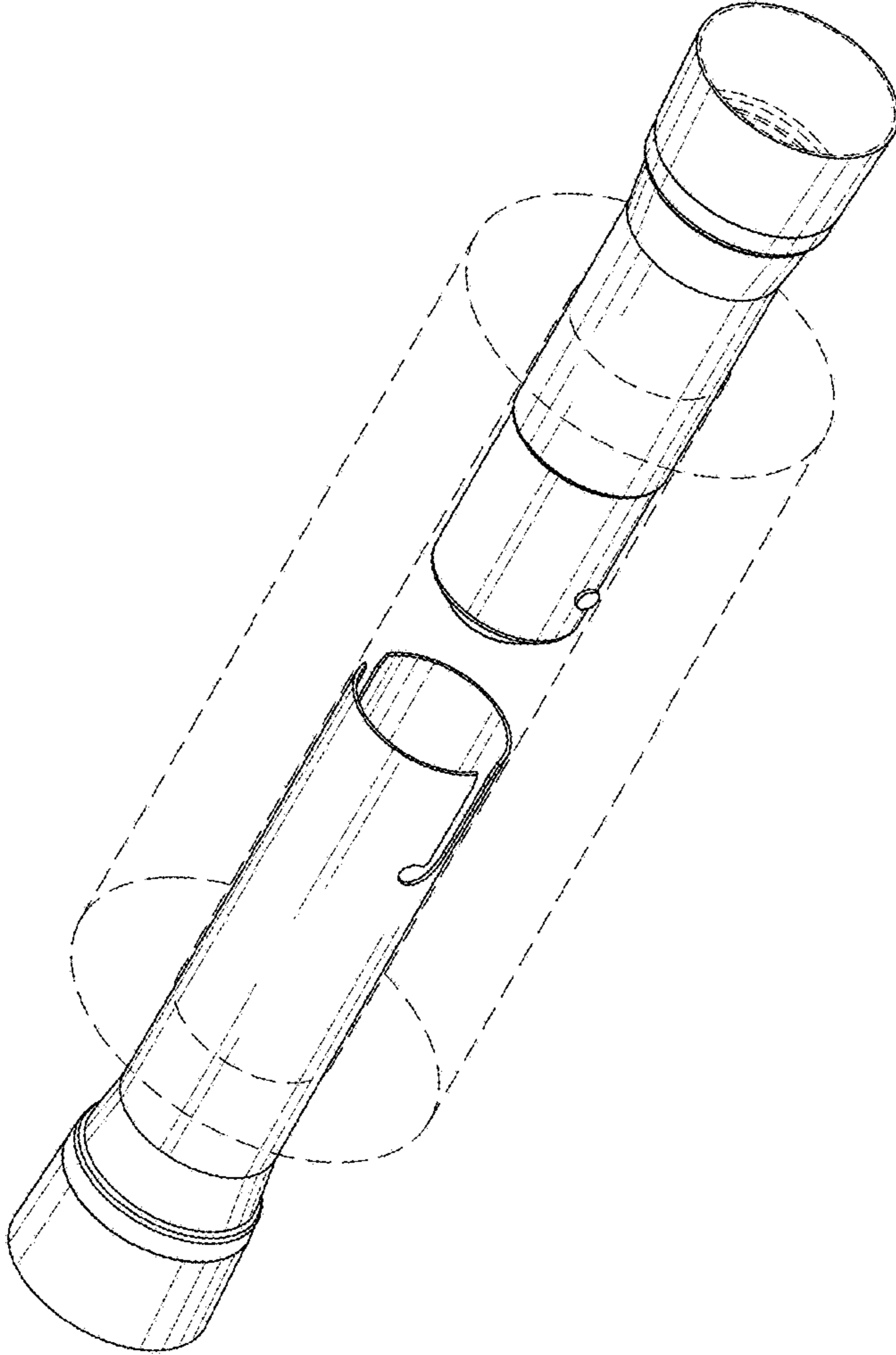


FIG. 1

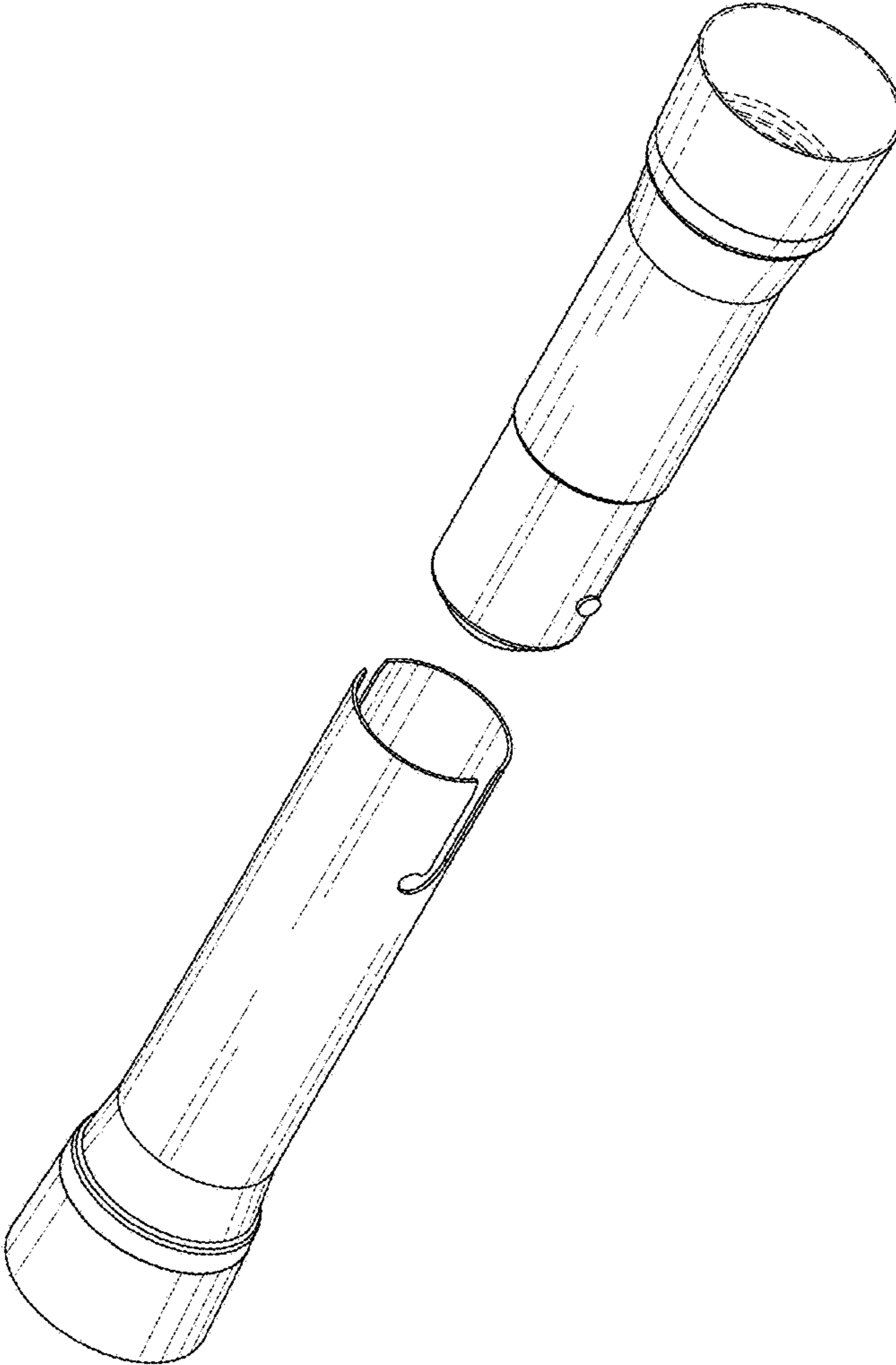


FIG. 2

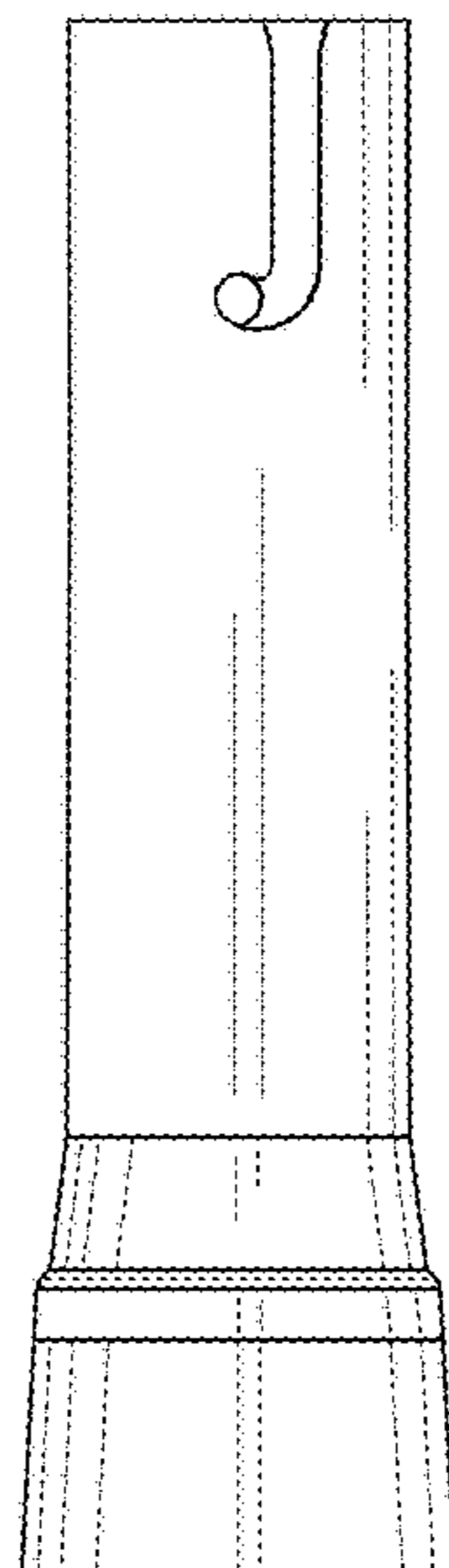
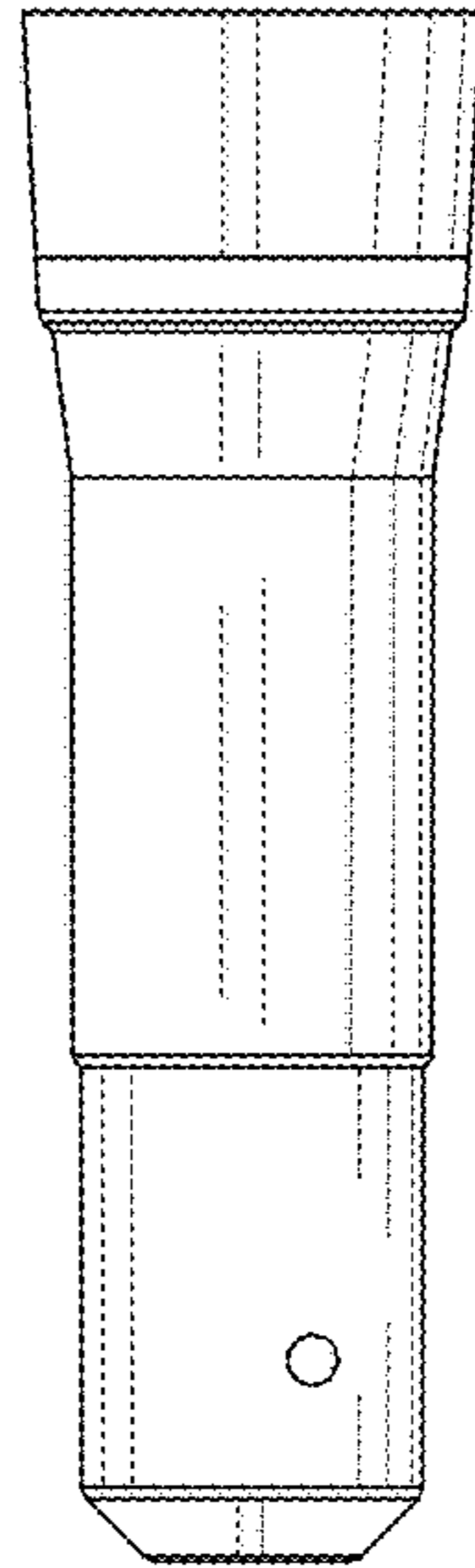


FIG. 3

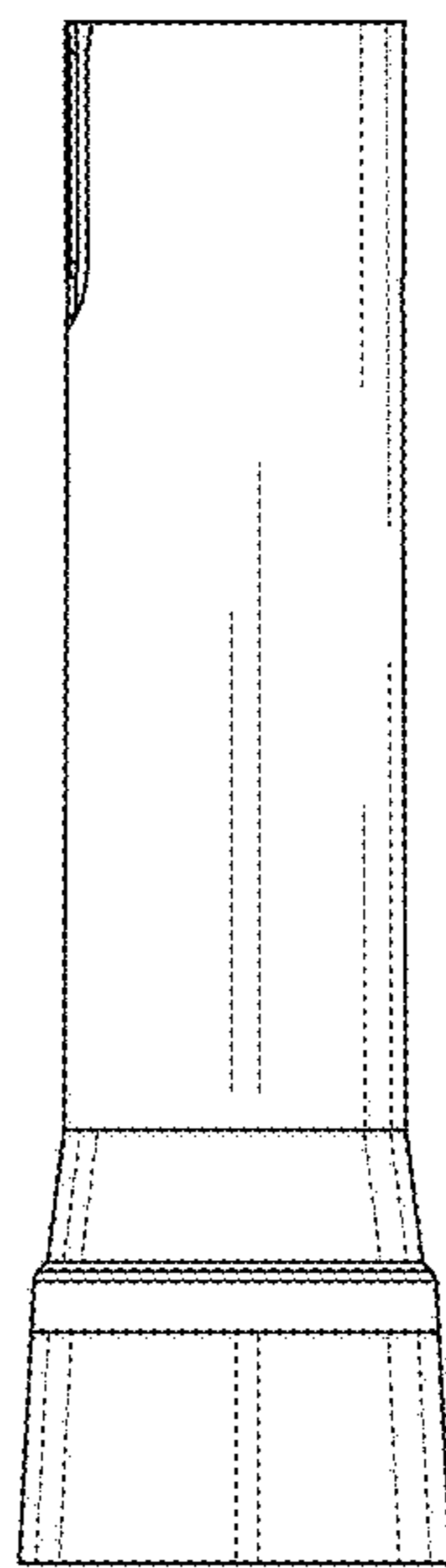
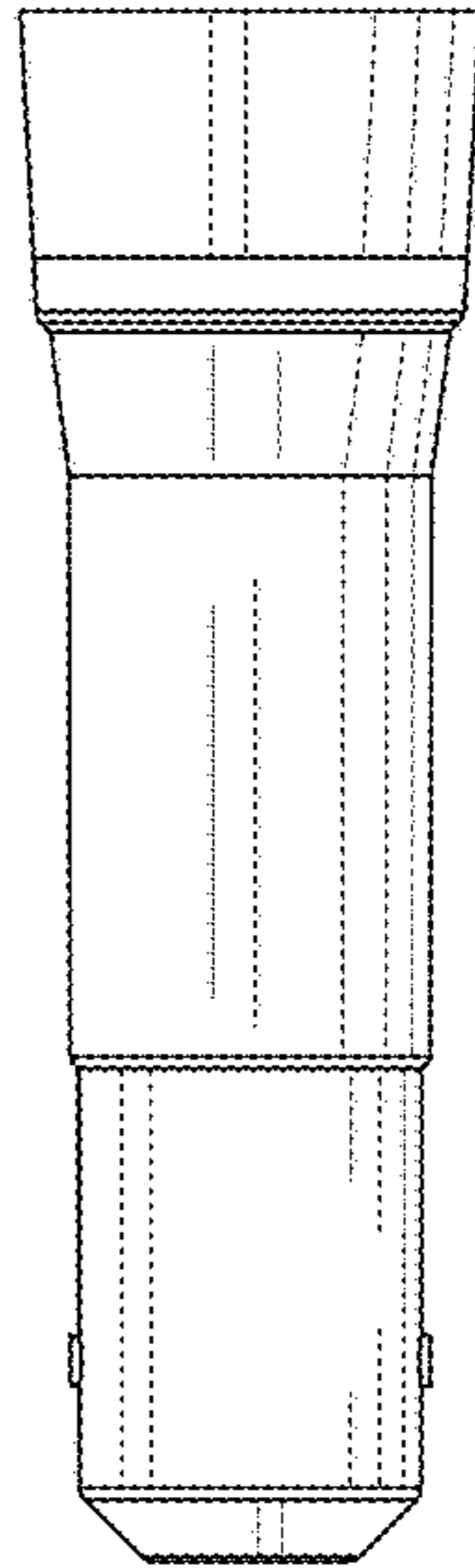
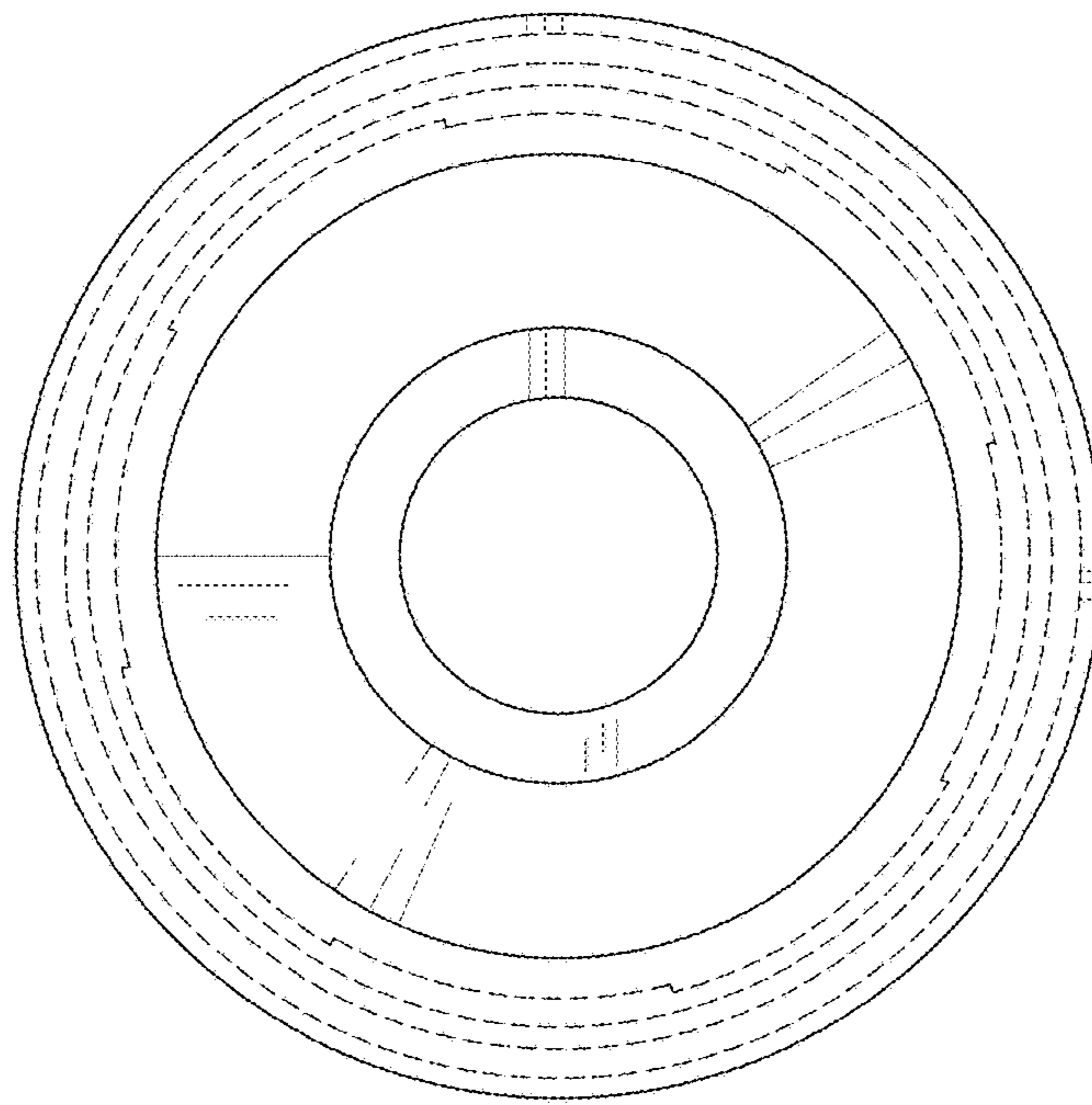


FIG. 4

FIG. 5



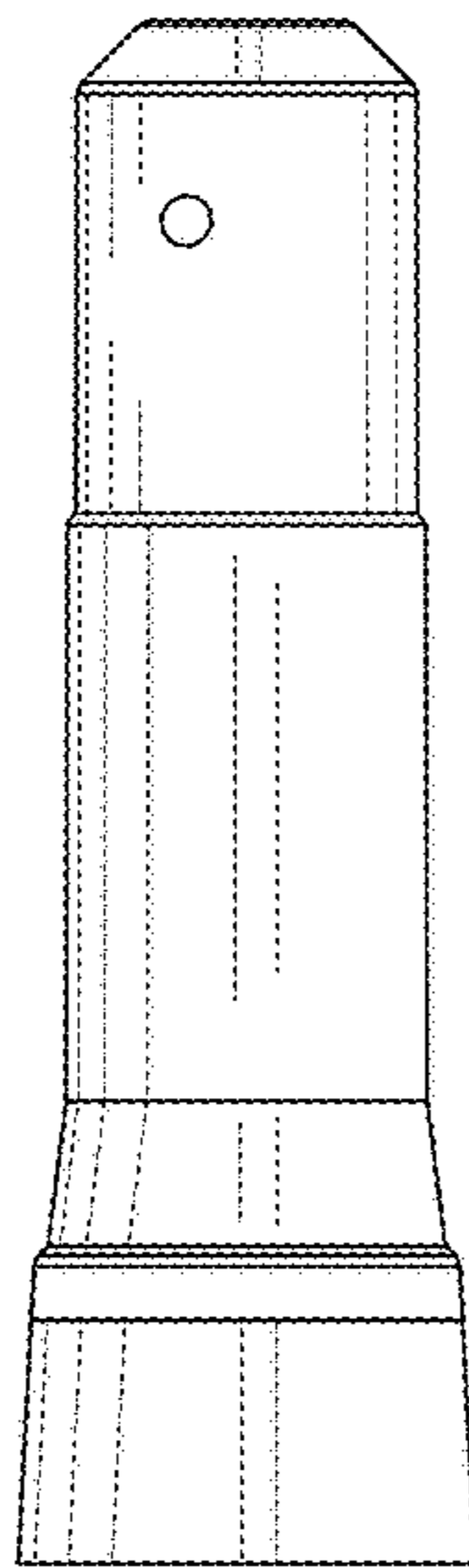
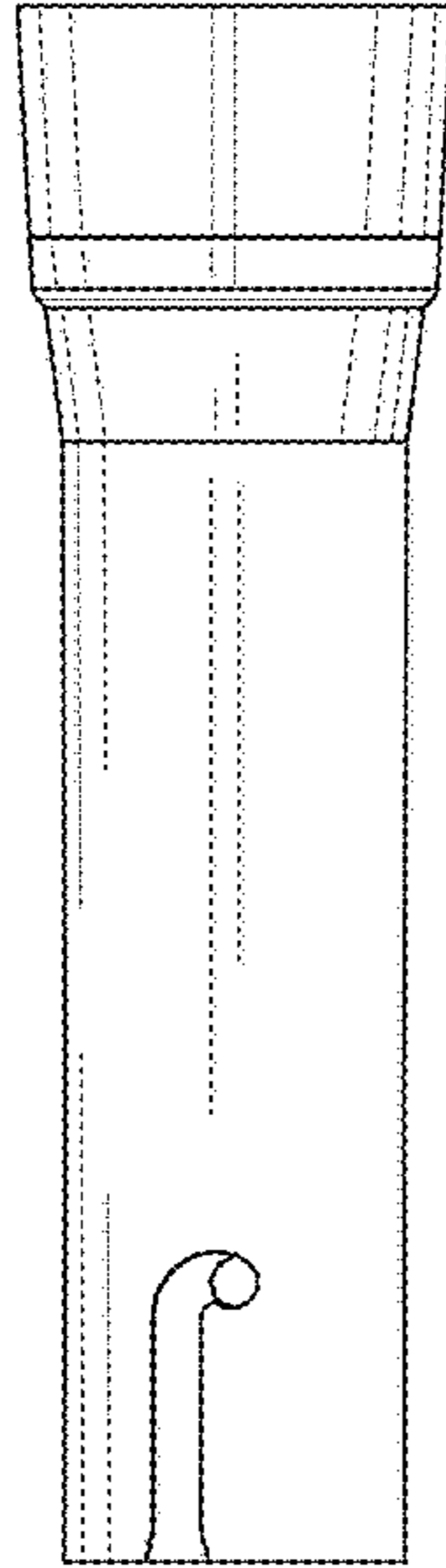


FIG. 6

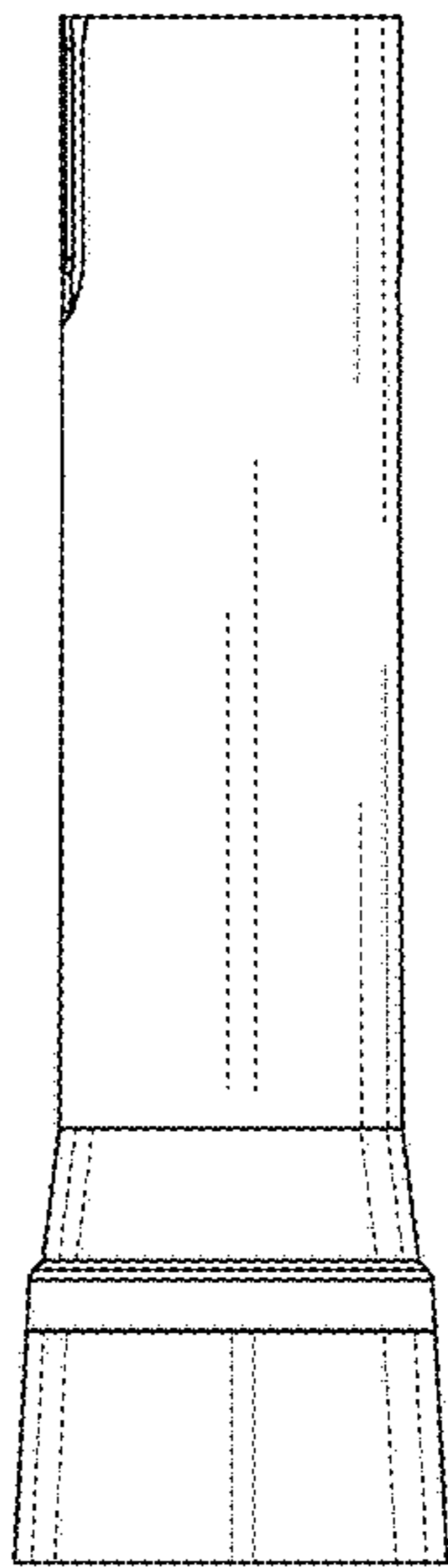
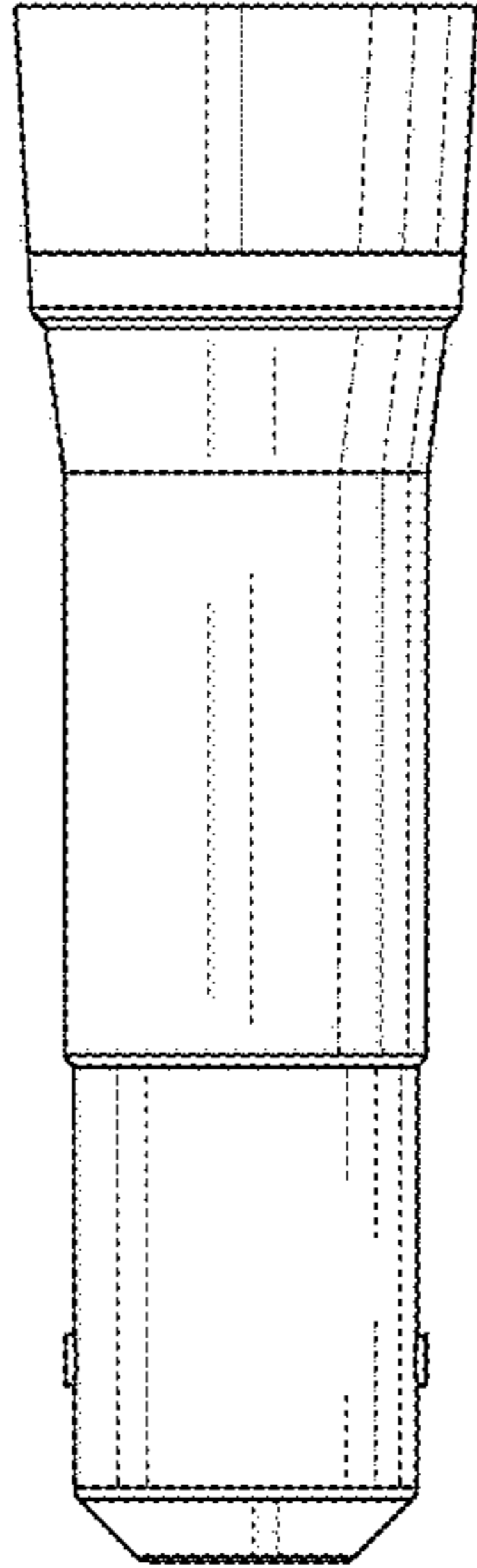
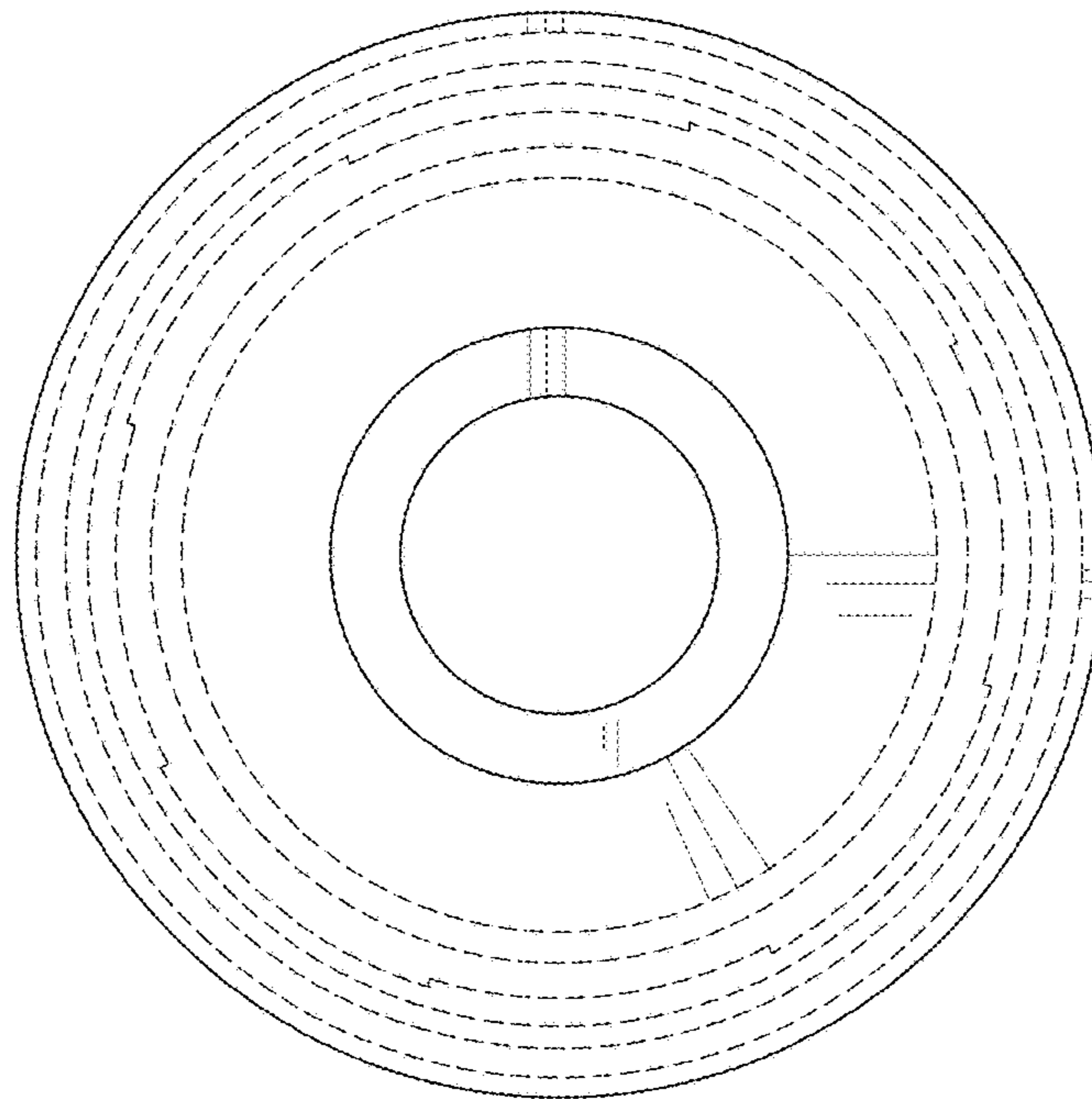


FIG. 7

FIG. 8



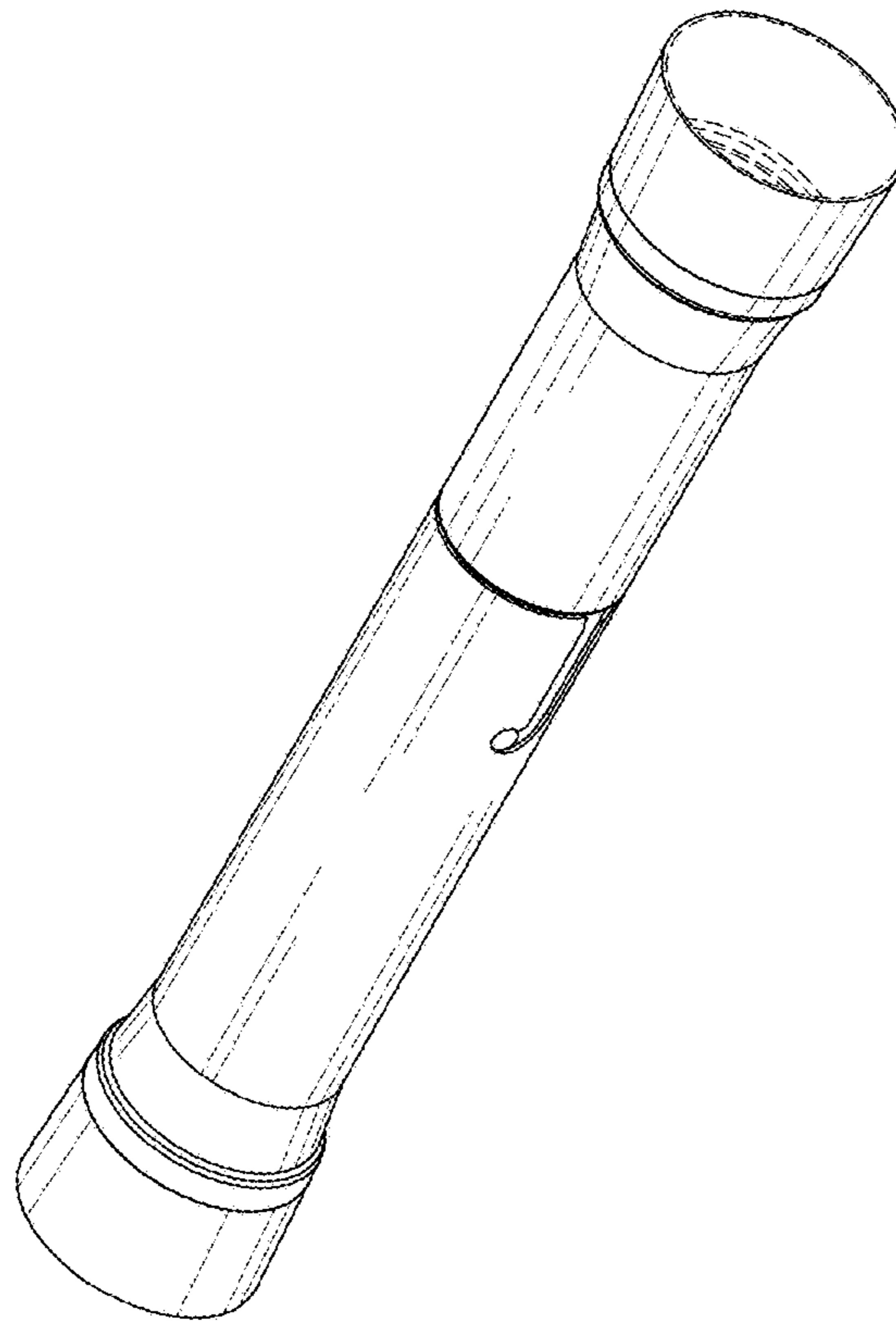


FIG. 9

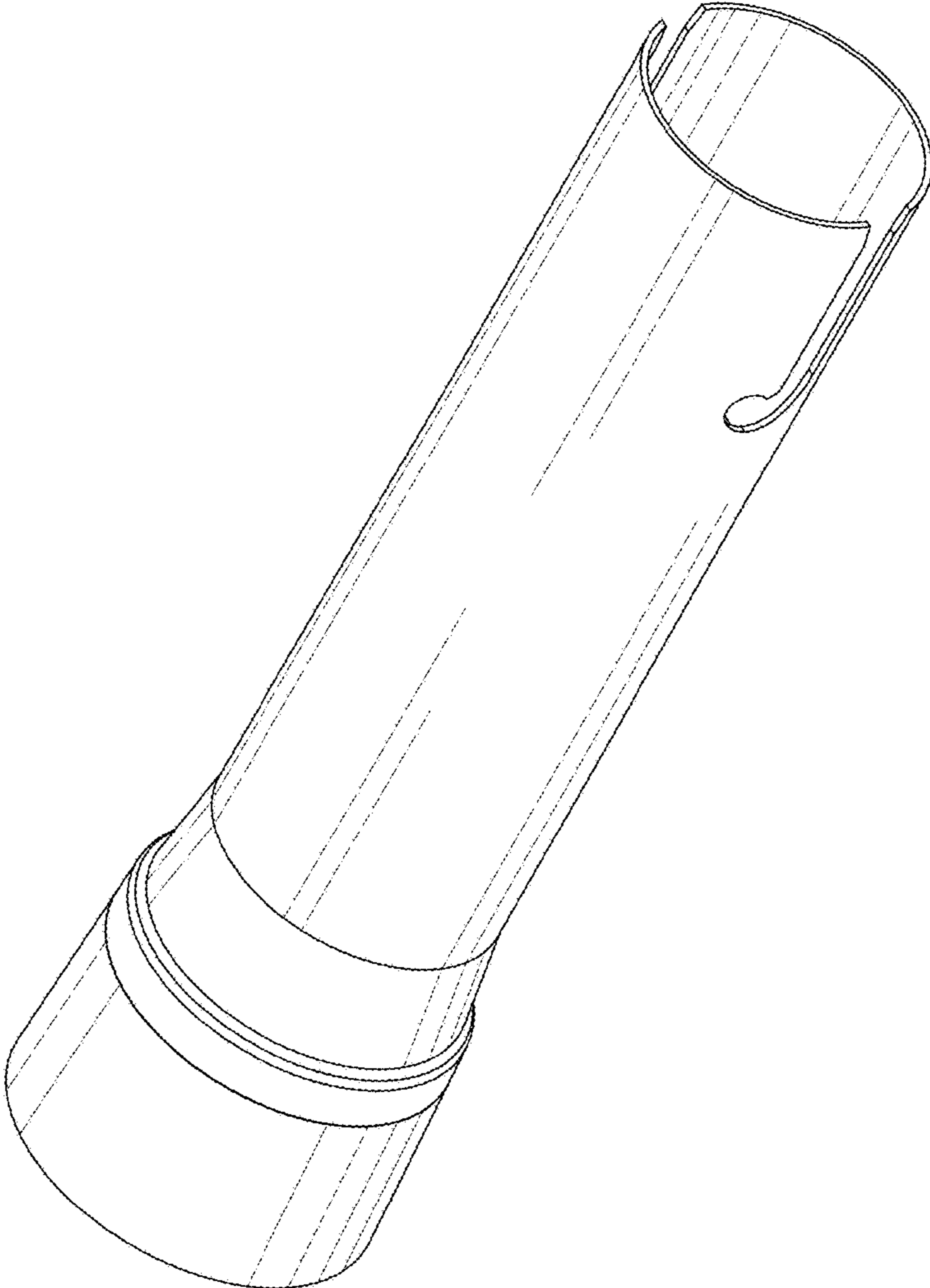


FIG. 10

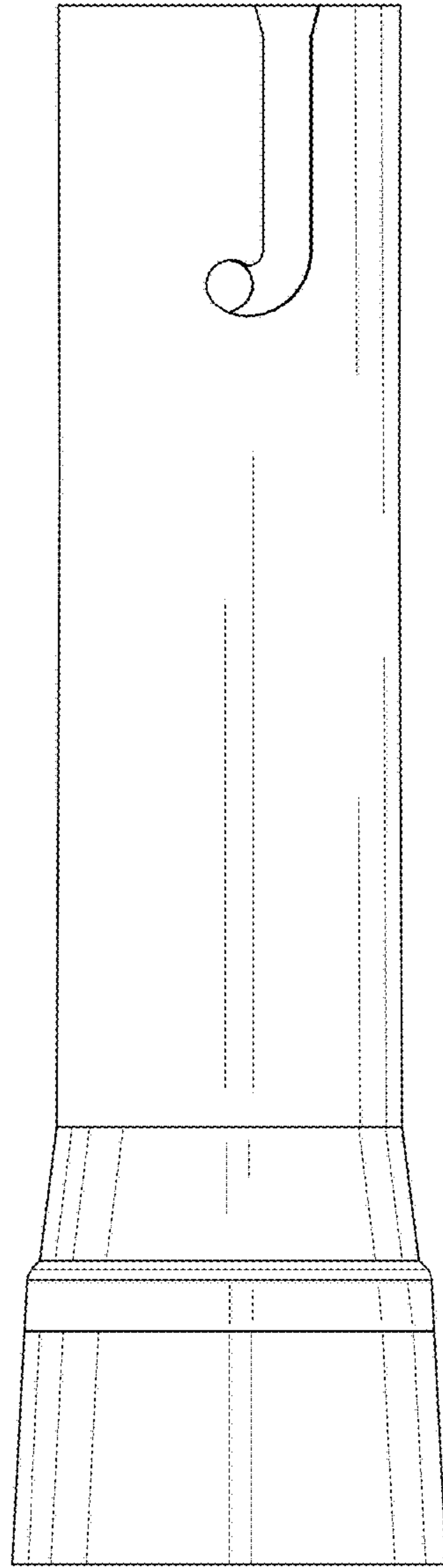


FIG. 11

FIG. 12

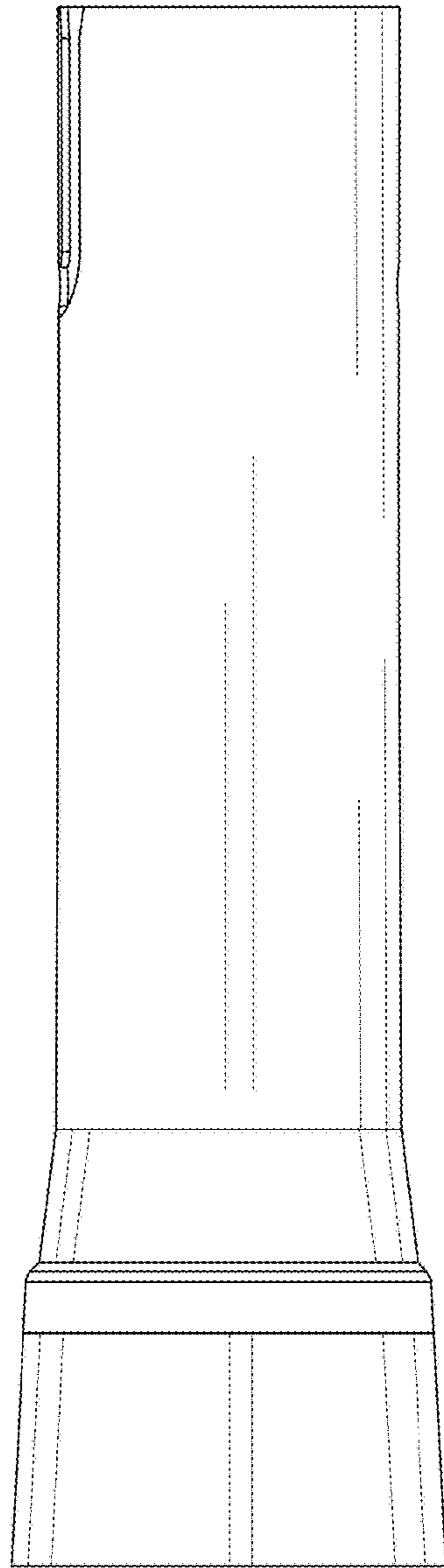


FIG. 13

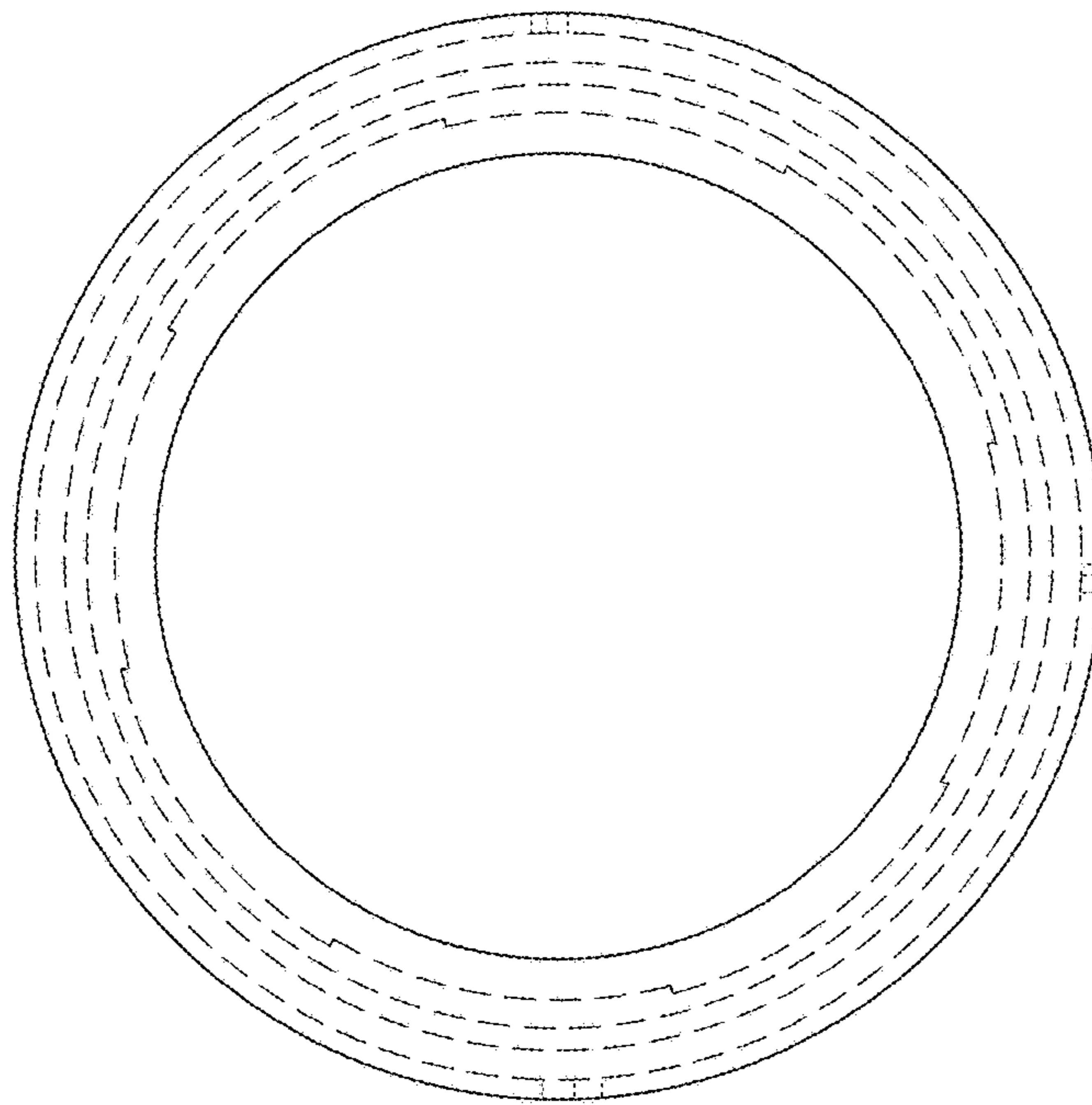


FIG. 14

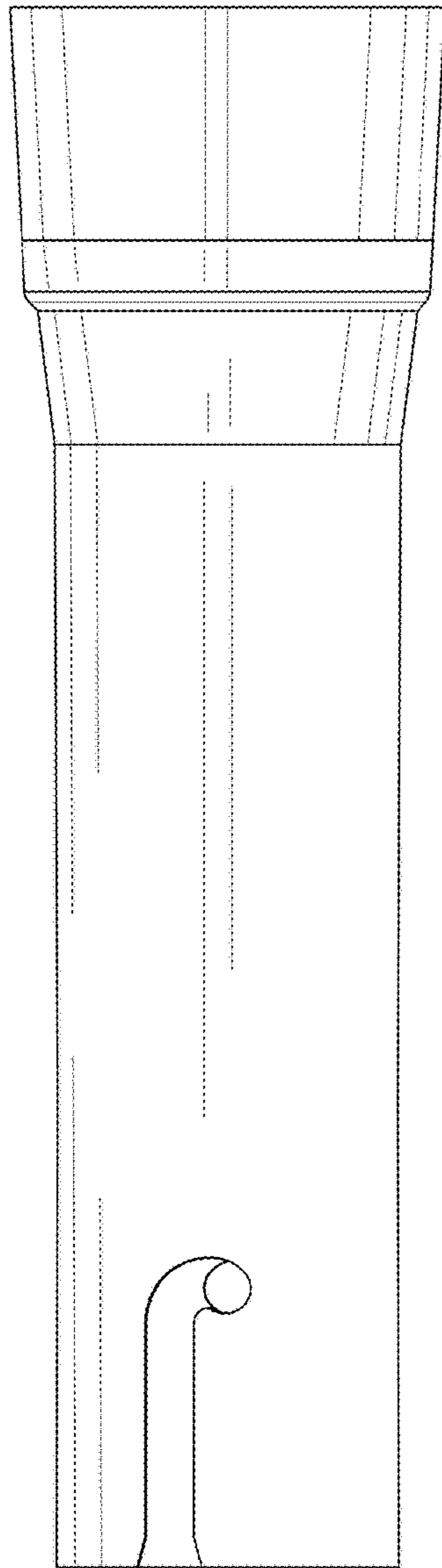


FIG. 15

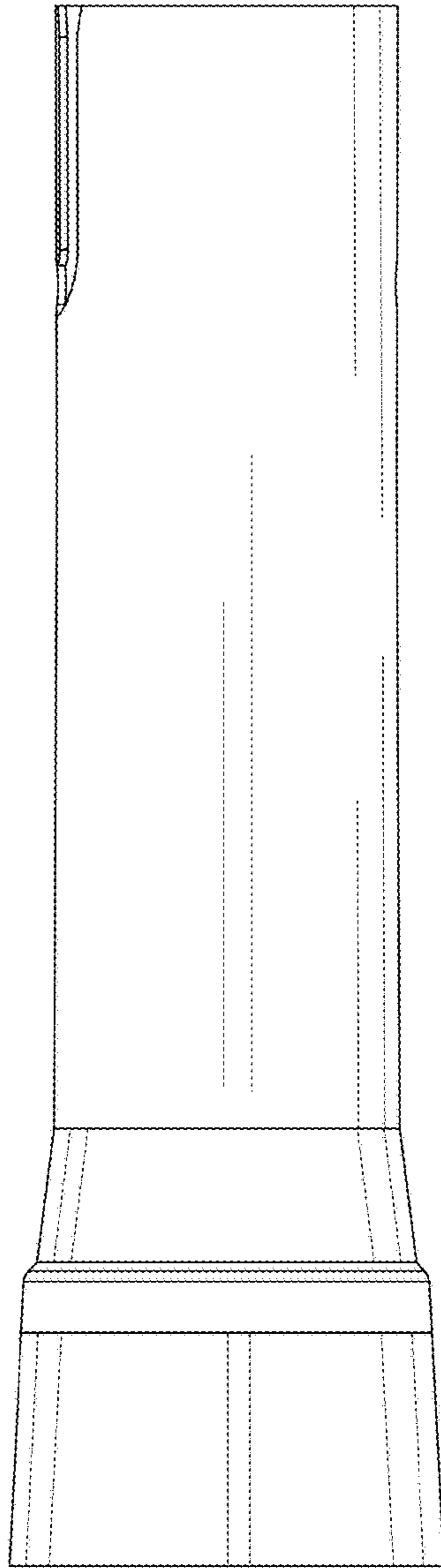
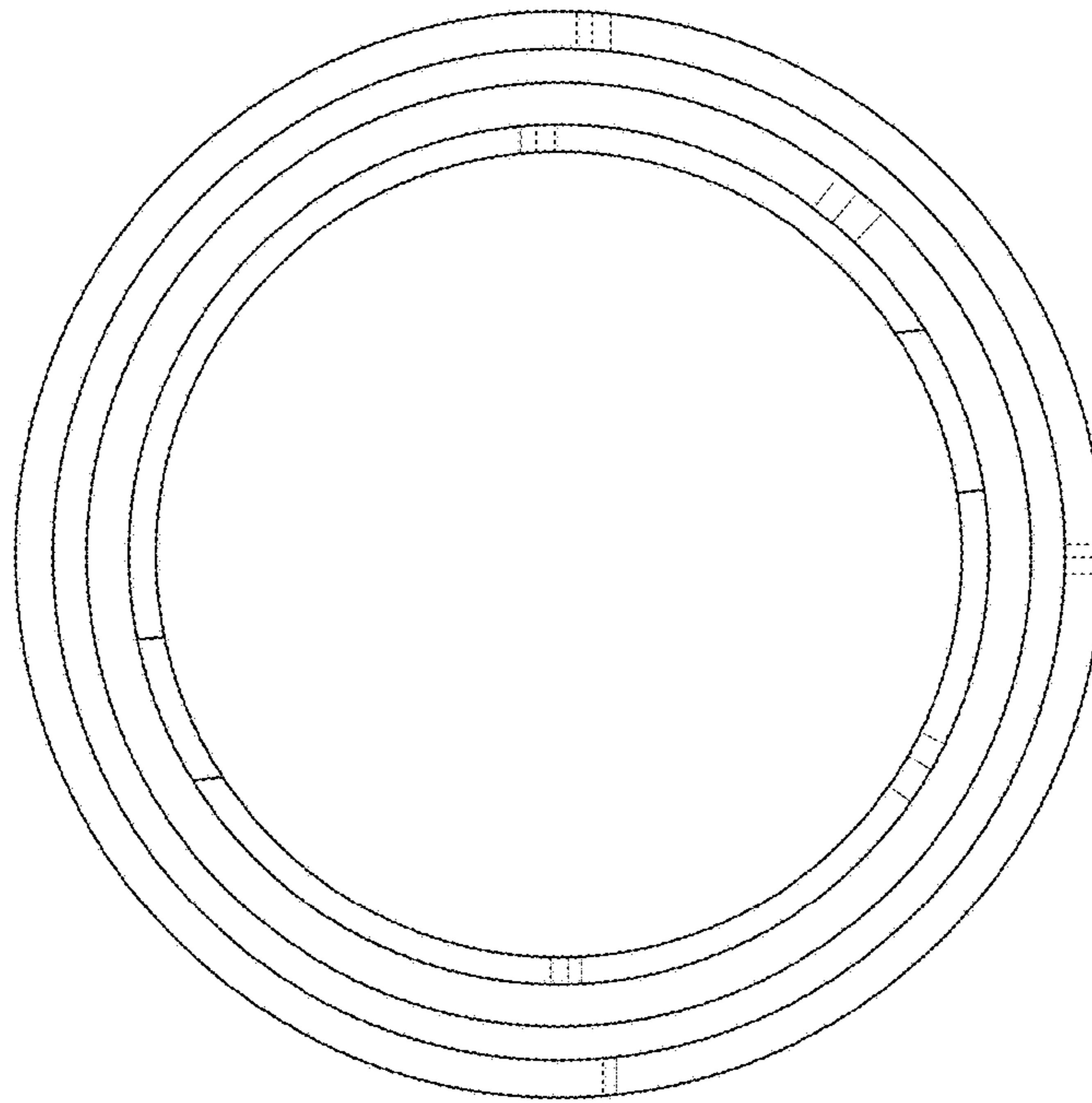


FIG. 16



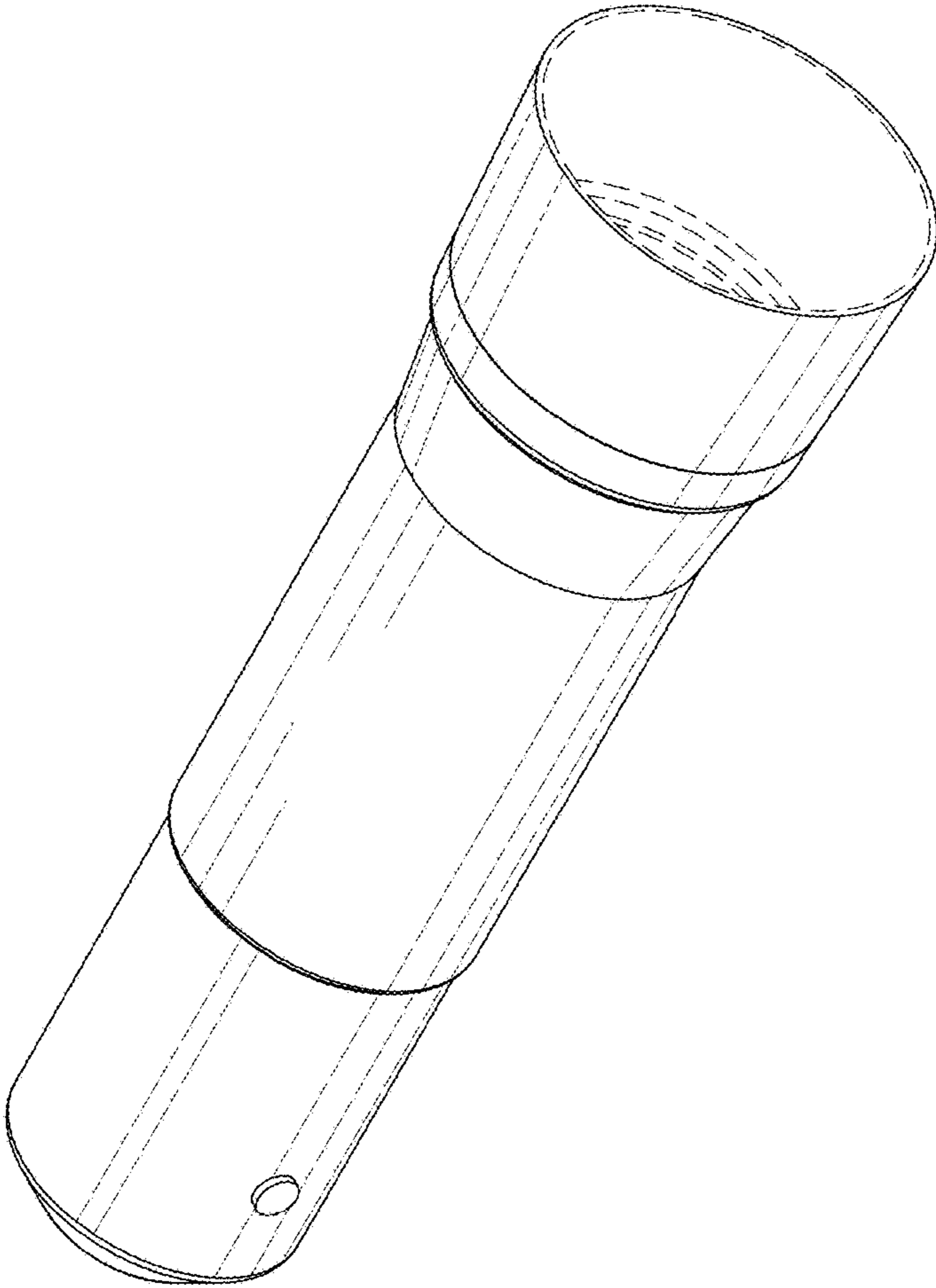


FIG. 17

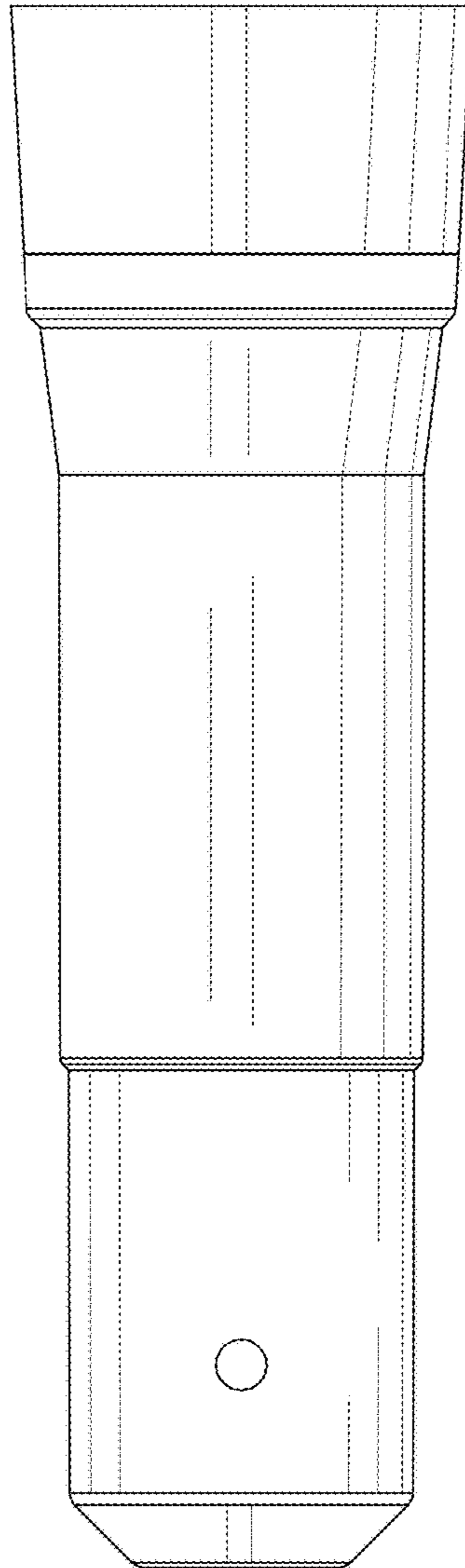


FIG. 18

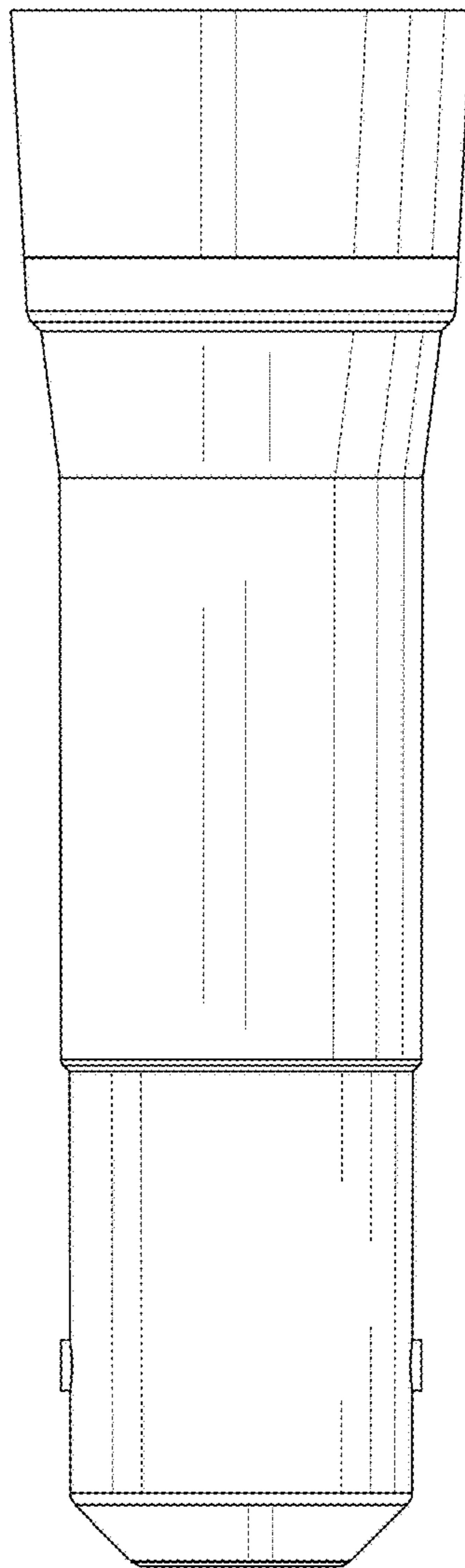
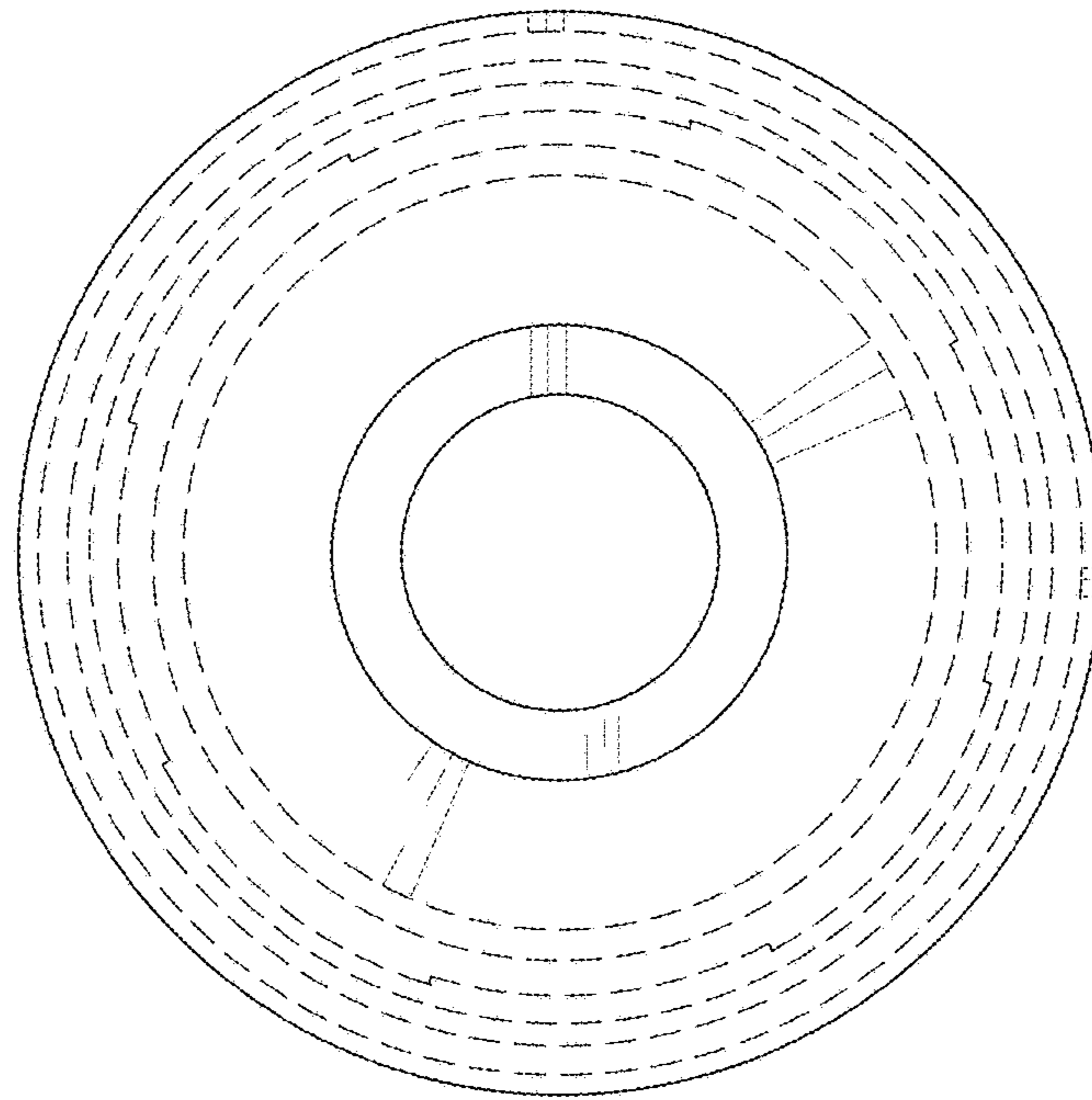


FIG. 19

FIG. 20



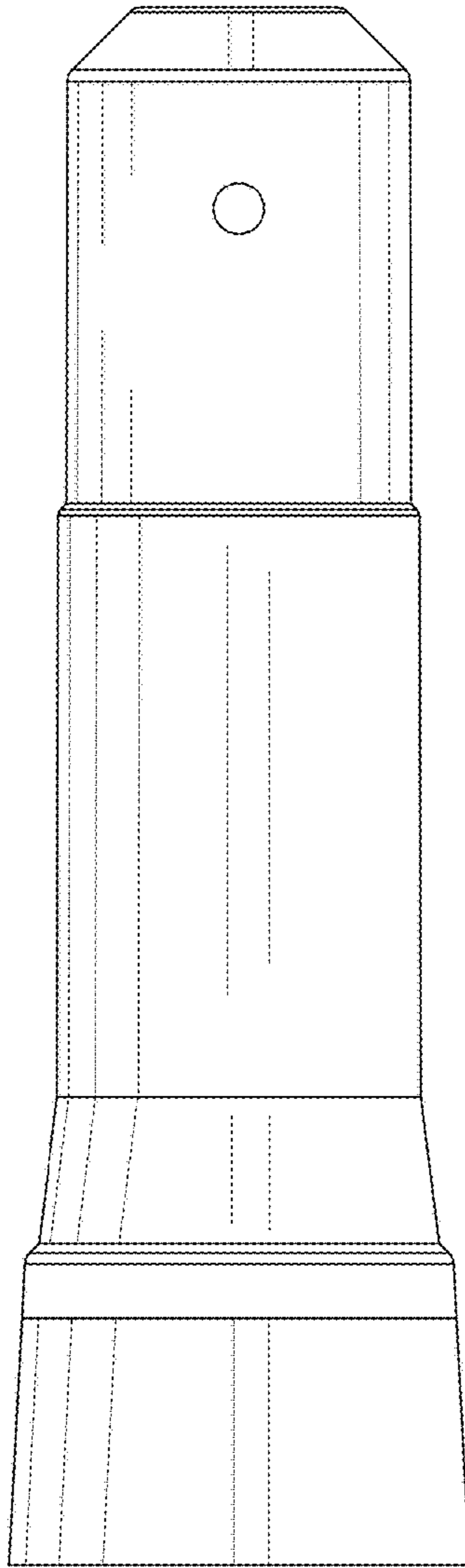


FIG. 21

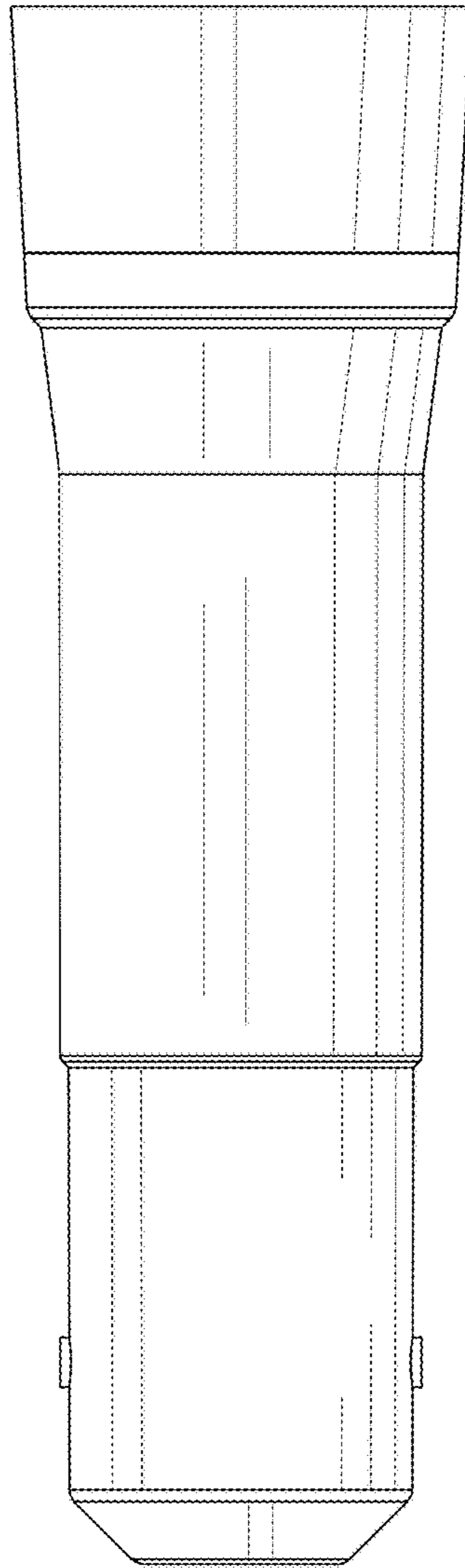


FIG. 22

FIG. 23

