



US00D844036S

(12) **United States Design Patent**  
**Gorbatenko et al.**

(10) **Patent No.:** **US D844,036 S**  
(45) **Date of Patent:** **\*\* Mar. 26, 2019**

(54) **PACKAGING MACHINE**  
(71) Applicant: **Gorby LLC**, Saint Paul, MN (US)  
(72) Inventors: **George Gorbatenko**, Saint Paul, MN (US); **Charles Roth**, Hudson, WI (US); **Chris Zwettler**, Stillwater, MN (US)

4,531,839 A \* 7/1985 Cunisse ..... B01F 15/0201  
222/63  
D301,890 S \* 6/1989 Silbersky ..... D15/145  
D388,103 S \* 12/1997 Gotou ..... D15/122  
D395,054 S \* 6/1998 Mochinzuki ..... D15/124  
D701,542 S \* 3/2014 Shearer ..... D15/128

\* cited by examiner

(\*\*) Term: **15 Years**

*Primary Examiner* — Patricia A Palasik  
(74) *Attorney, Agent, or Firm* — Kagan Binder, PLLC

(21) Appl. No.: **29/539,393**

(57) **CLAIM**

(22) Filed: **Sep. 14, 2015**

The ornamental design for a packaging machine, as shown and described.

(51) **LOC (11) Cl.** ..... **15-09**

**DESCRIPTION**

(52) **U.S. Cl.**  
USPC ..... **D15/145**

(58) **Field of Classification Search**  
USPC ..... D15/122, 145, 146  
CPC ..... B65B 5/06; B65B 5/067; B65B 5/106;  
B65B 7/08; B65B 9/04; B65B 31/046;  
B65B 47/04; B65B 51/02; B65B 51/10;  
B65B 51/065  
See application file for complete search history.

FIG. 1 is a front perspective view of a packaging machine showing all new designs.

FIG. 2 is a top plan view of the packaging machine of FIG. 1.

FIG. 3 is a diagonal perspective view of a packaging machine of FIG. 1.

FIG. 4 is a right side elevation view of the packaging machine of FIG. 1.

FIG. 5 is a front side elevation view of the packaging machine of FIG. 1.

FIG. 6 is a left side elevation view of the packaging machine of FIG. 1; and,

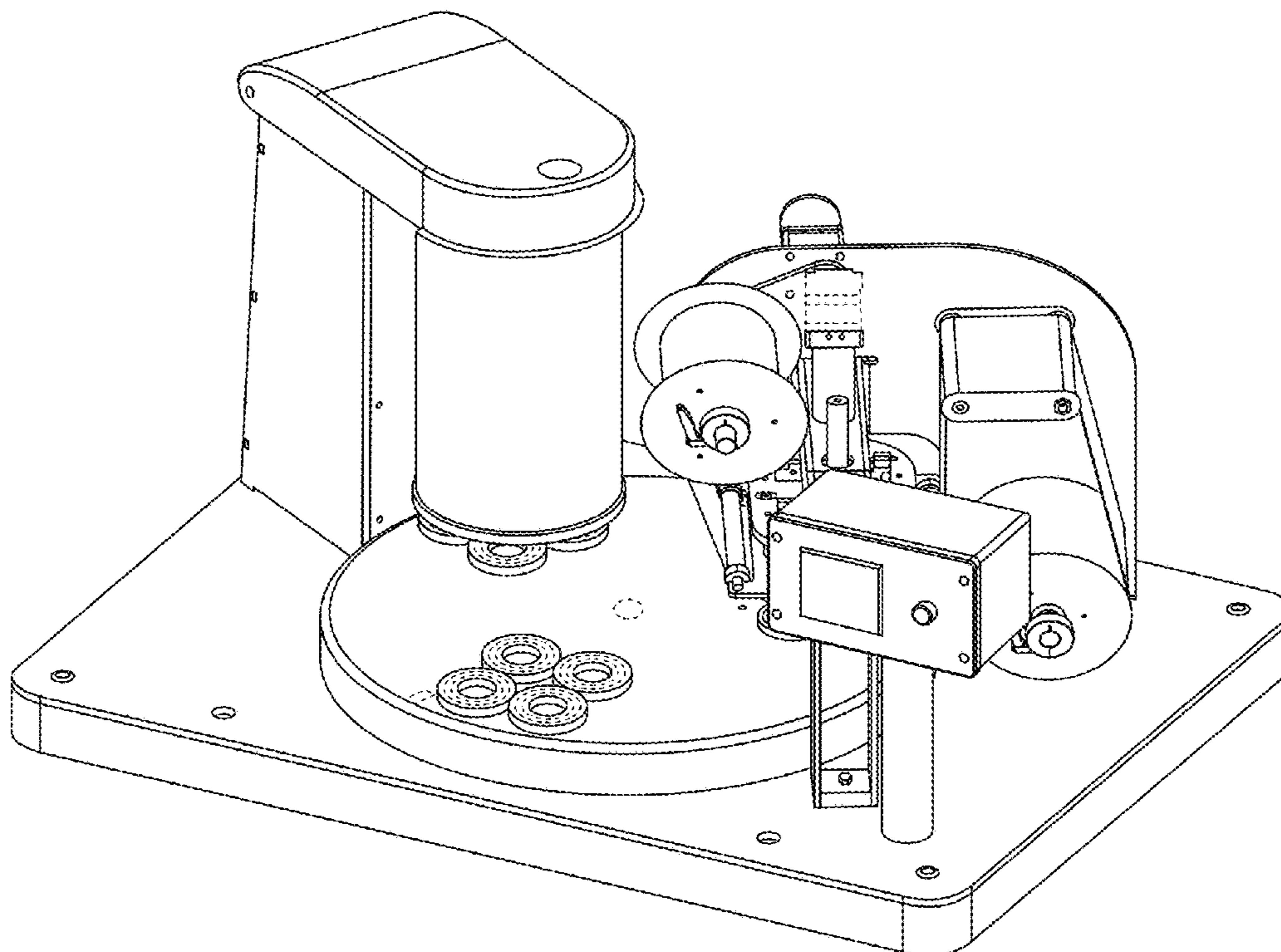
FIG. 7 is a rear side elevation view of the packaging machine of FIG. 1.

(56) **References Cited**

**U.S. PATENT DOCUMENTS**

3,245,194 A \* 4/1966 Carski ..... B65B 3/003  
53/101  
D241,160 S \* 8/1976 Gurian ..... D15/122  
D264,723 S \* 6/1982 Tsujimoto ..... D15/145

**1 Claim, 7 Drawing Sheets**



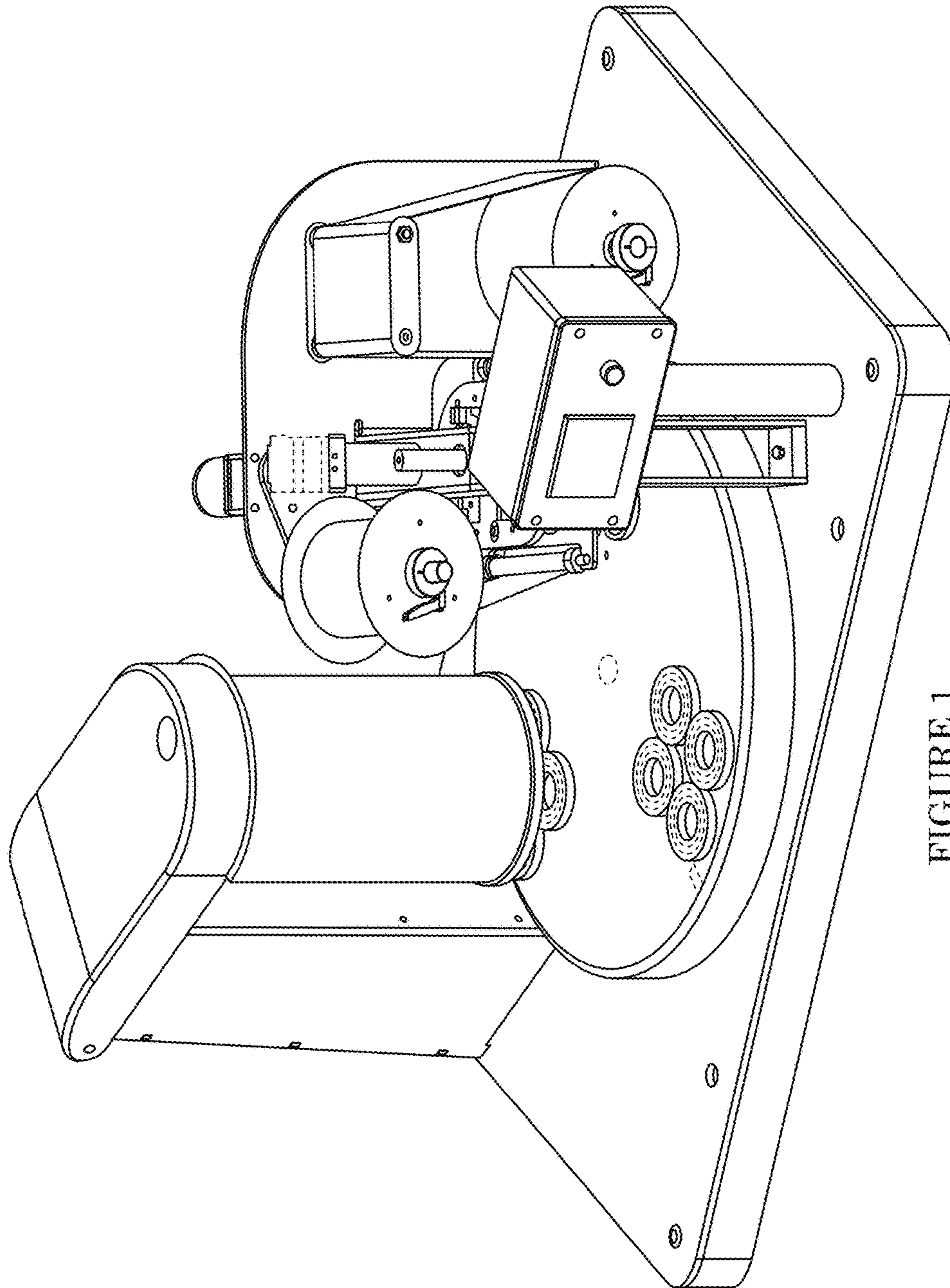


FIGURE 1

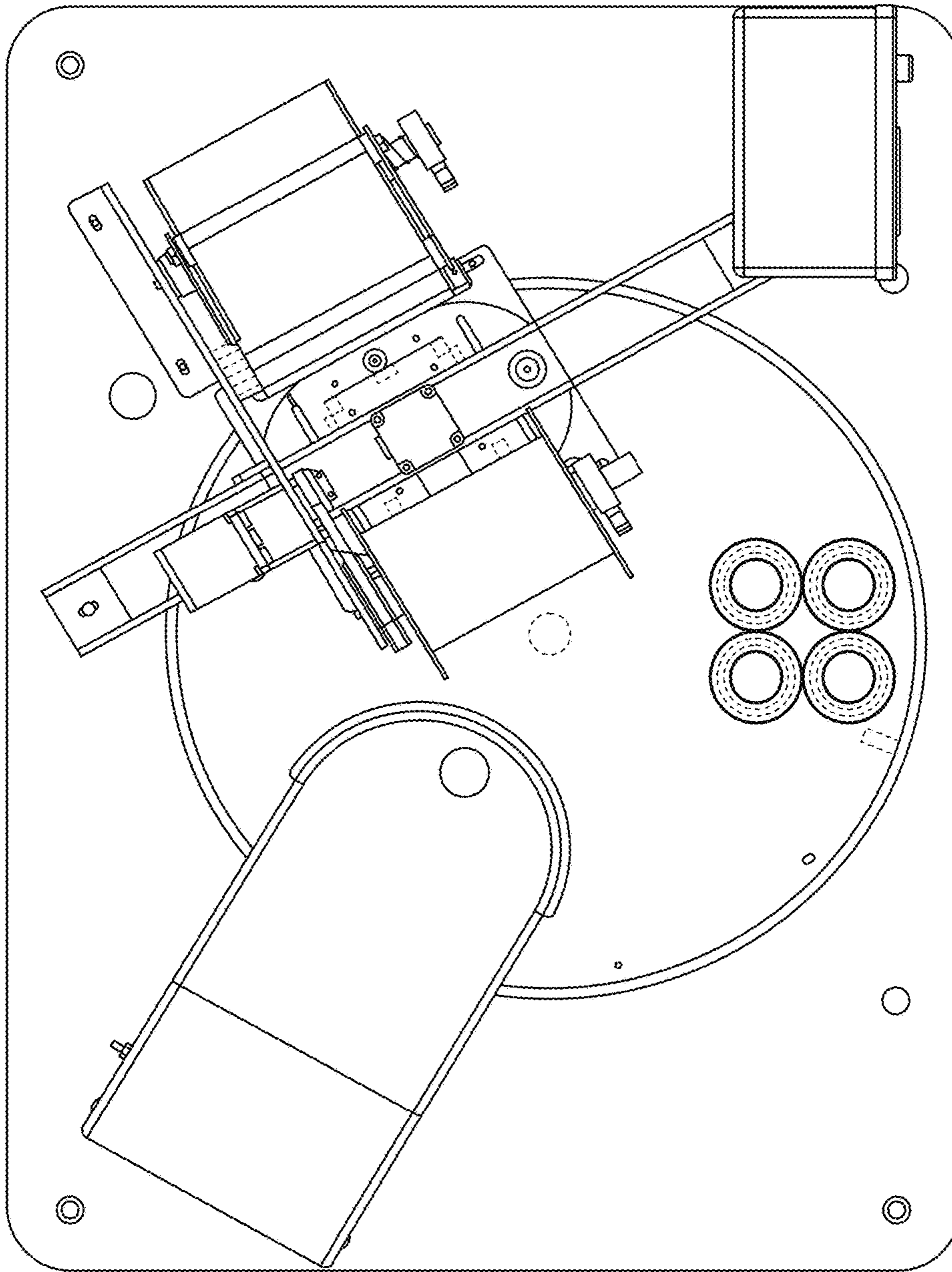


FIGURE 2

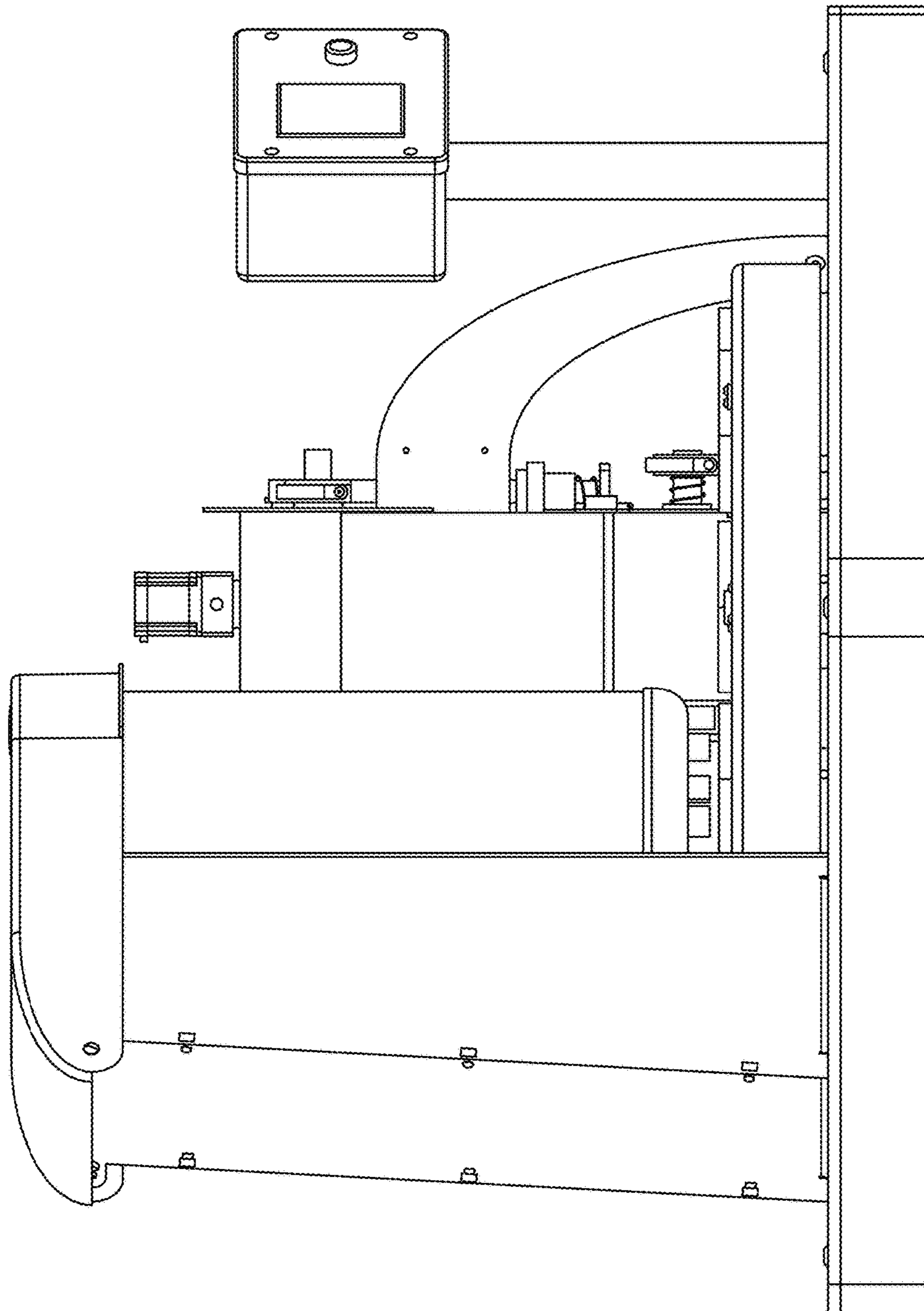


FIGURE 3

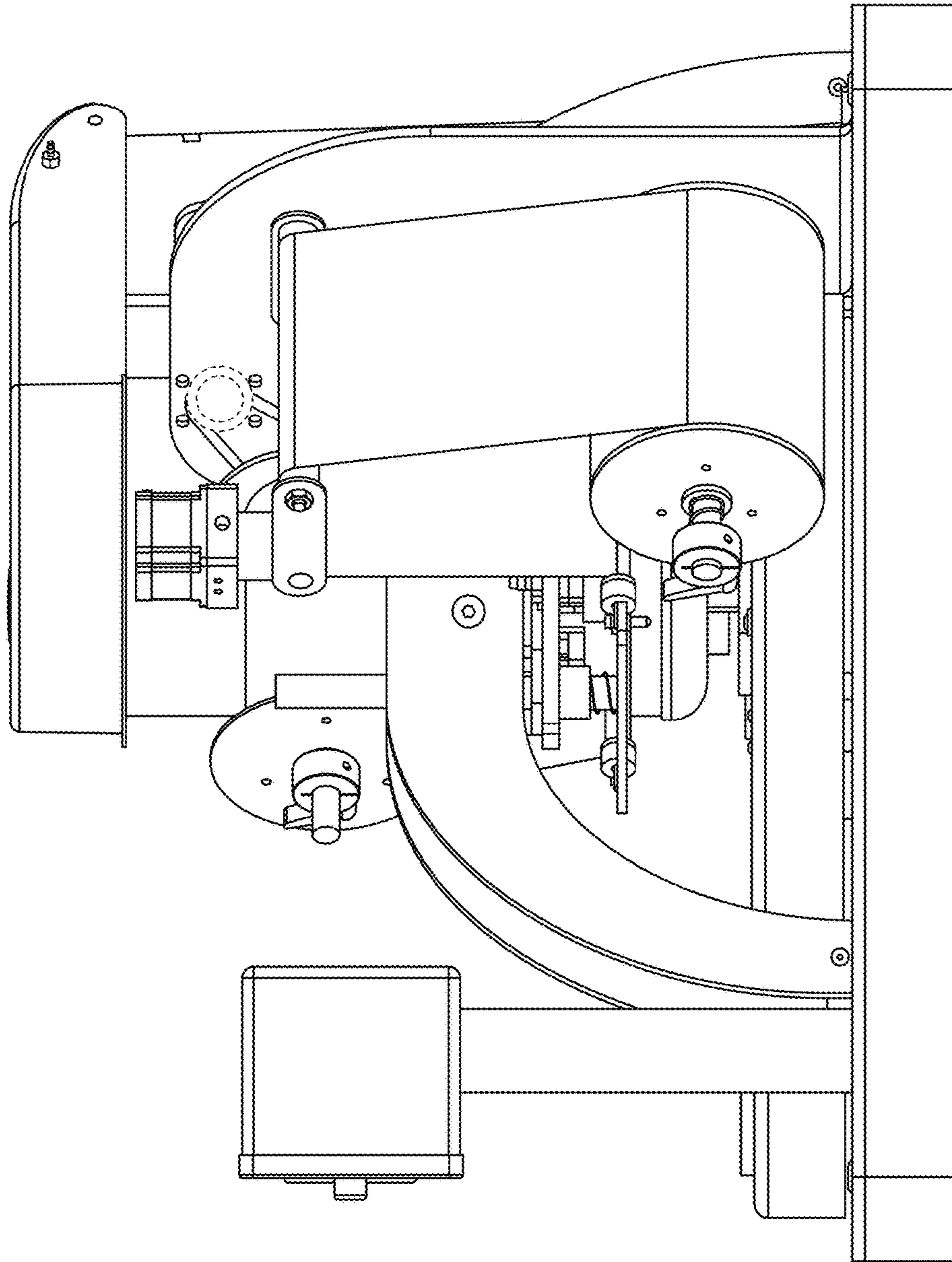


FIGURE 4

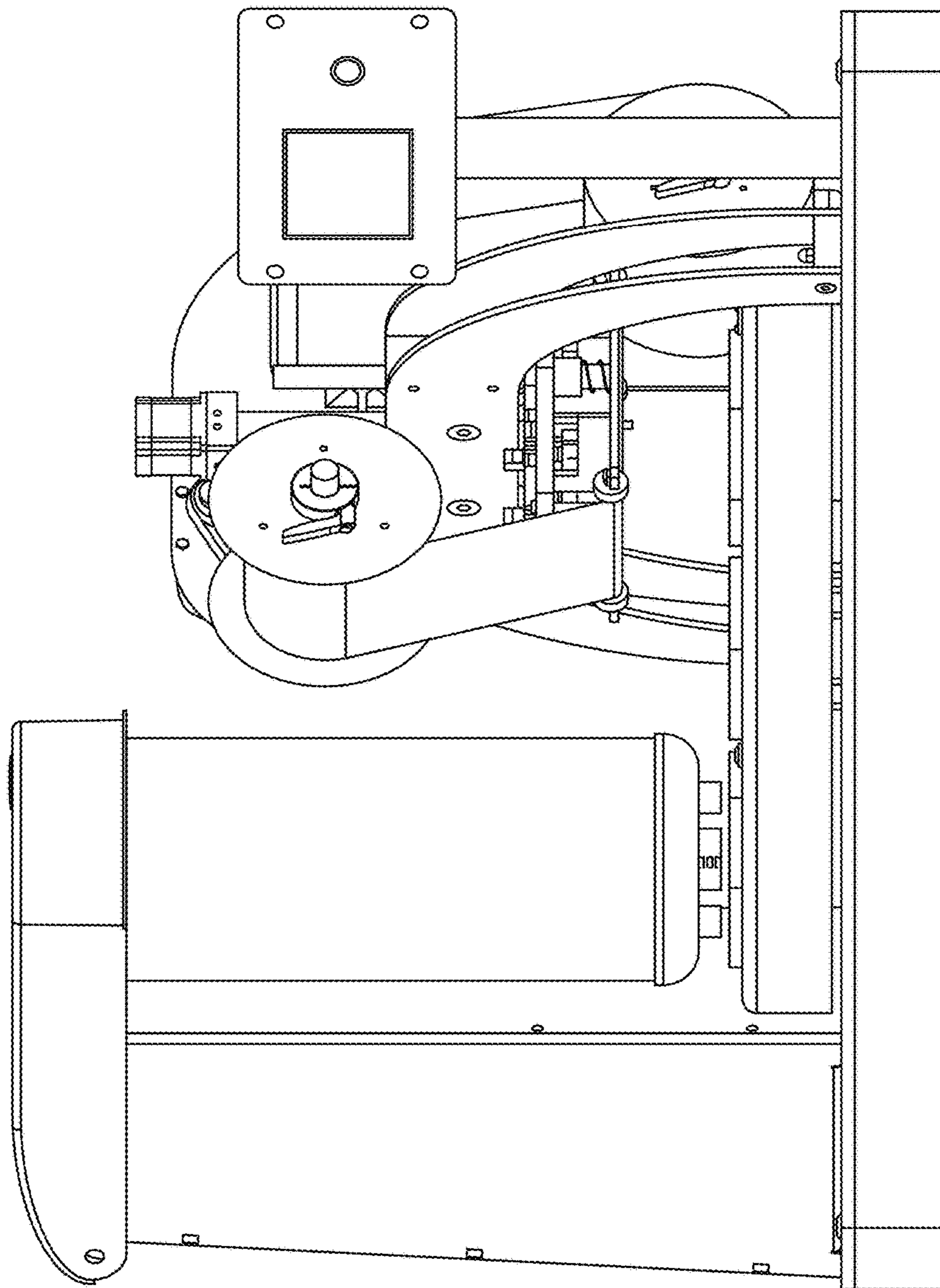


FIGURE 5

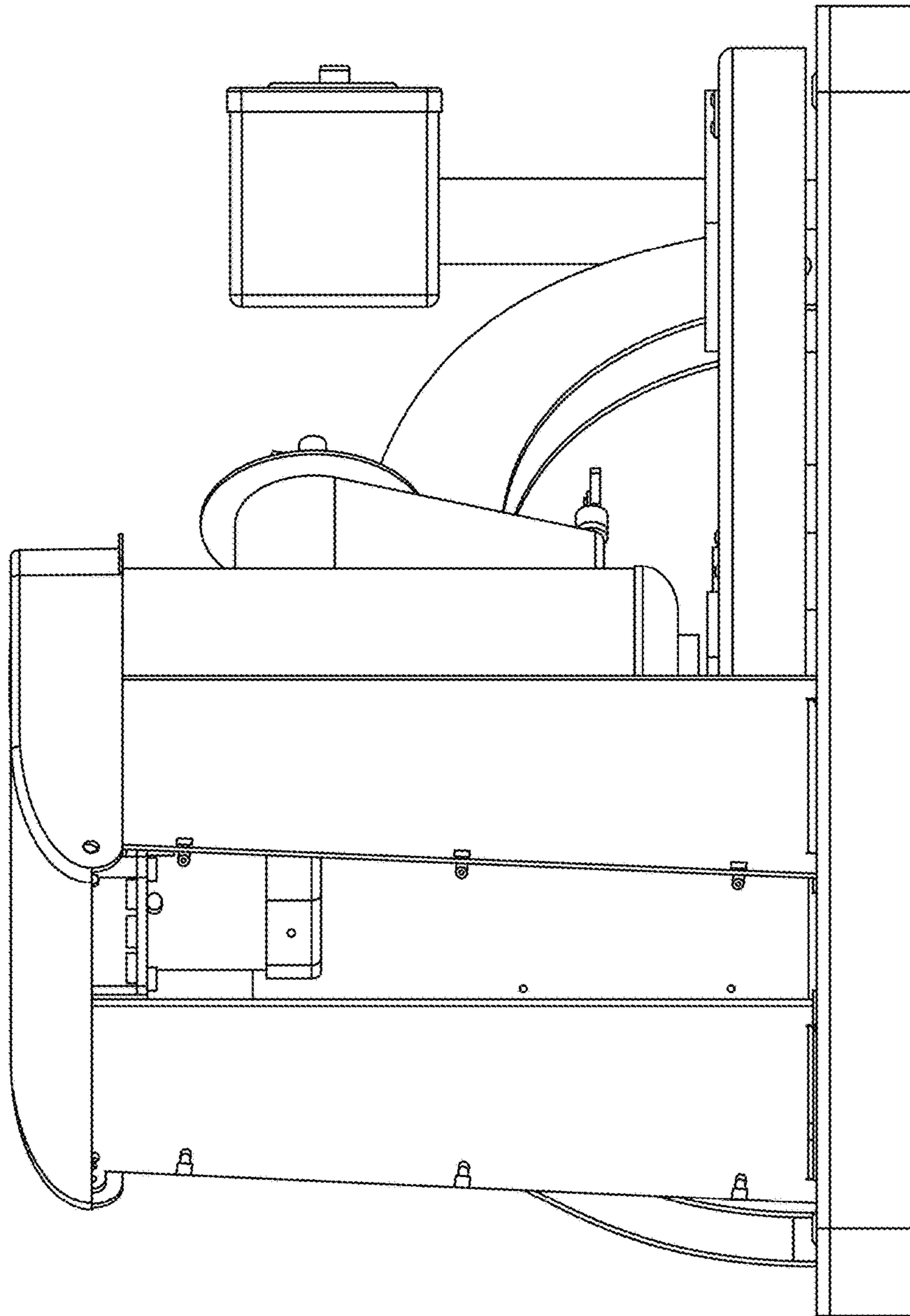


FIGURE 6

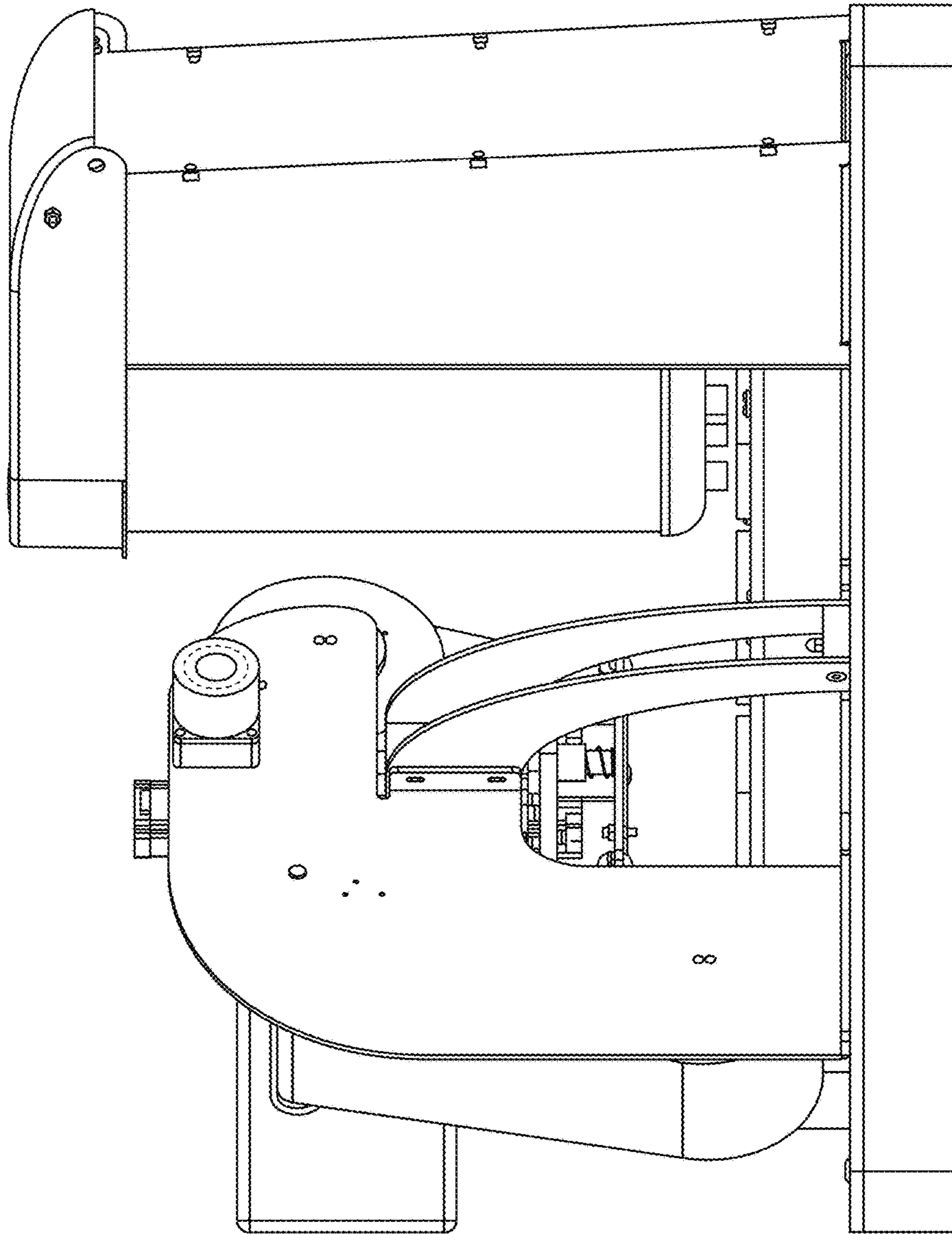


FIGURE 7