



US00D844035S

(12) **United States Design Patent**
Hruska et al.

(10) **Patent No.:** **US D844,035 S**
(45) **Date of Patent:** **** Mar. 26, 2019**

- (54) **WELDER ENCLOSURE**
- (71) Applicant: **Lincoln Global, Inc.**, Santa Fe Springs, CA (US)
- (72) Inventors: **Adam M. Hruska**, Chardon, OH (US);
Justin M. Makosky, Hiram, OH (US);
Edward A. Enyedy, Eastlake, OH (US)
- (73) Assignee: **LINCOLN GLOBAL, INC.**, Santa Fe Springs, CA (US)
- (**) Term: **15 Years**
- (21) Appl. No.: **29/640,727**
- (22) Filed: **Mar. 16, 2018**
- (51) **LOC (11) Cl.** **15-09**
- (52) **U.S. Cl.**
USPC **D15/144**
- (58) **Field of Classification Search**
USPC D8/29.1, 30; D13/101, 109, 110, 112,
D13/116, 122, 123, 133, 144, 184;
D15/144, 144.1, 144.2, 145, 146
CPC ... B23K 9/00; B29C 65/1432; B29C 65/1467;
B29C 65/4815; B29C 65/5042; B29C
65/5092; B26C 66/1142; B26C 66/43;
B26C 66/435; B26C 66/73185; B26C
66/73921
See application file for complete search history.

- D665,833 S * 8/2012 Raymond D15/144
- 8,267,489 B2 * 9/2012 Williams B23K 9/32
219/121.39
- 8,445,816 B2 * 5/2013 Cole B23K 9/32
219/130.1
- D741,385 S * 10/2015 Evans D15/144
- D752,665 S * 3/2016 Kindig D15/144
- RE46,248 E * 12/2016 Johnson D15/144
- RE46,313 E * 2/2017 Johnson D15/144
- D792,848 S * 7/2017 Poikolainen D13/139.4

(Continued)

Primary Examiner — Melanie H Tung

Assistant Examiner — Fitzgerald L Butac

(74) *Attorney, Agent, or Firm* — Brad C. Spencer

(57) **CLAIM**

The ornamental design for a welder enclosure, as shown and described.

DESCRIPTION

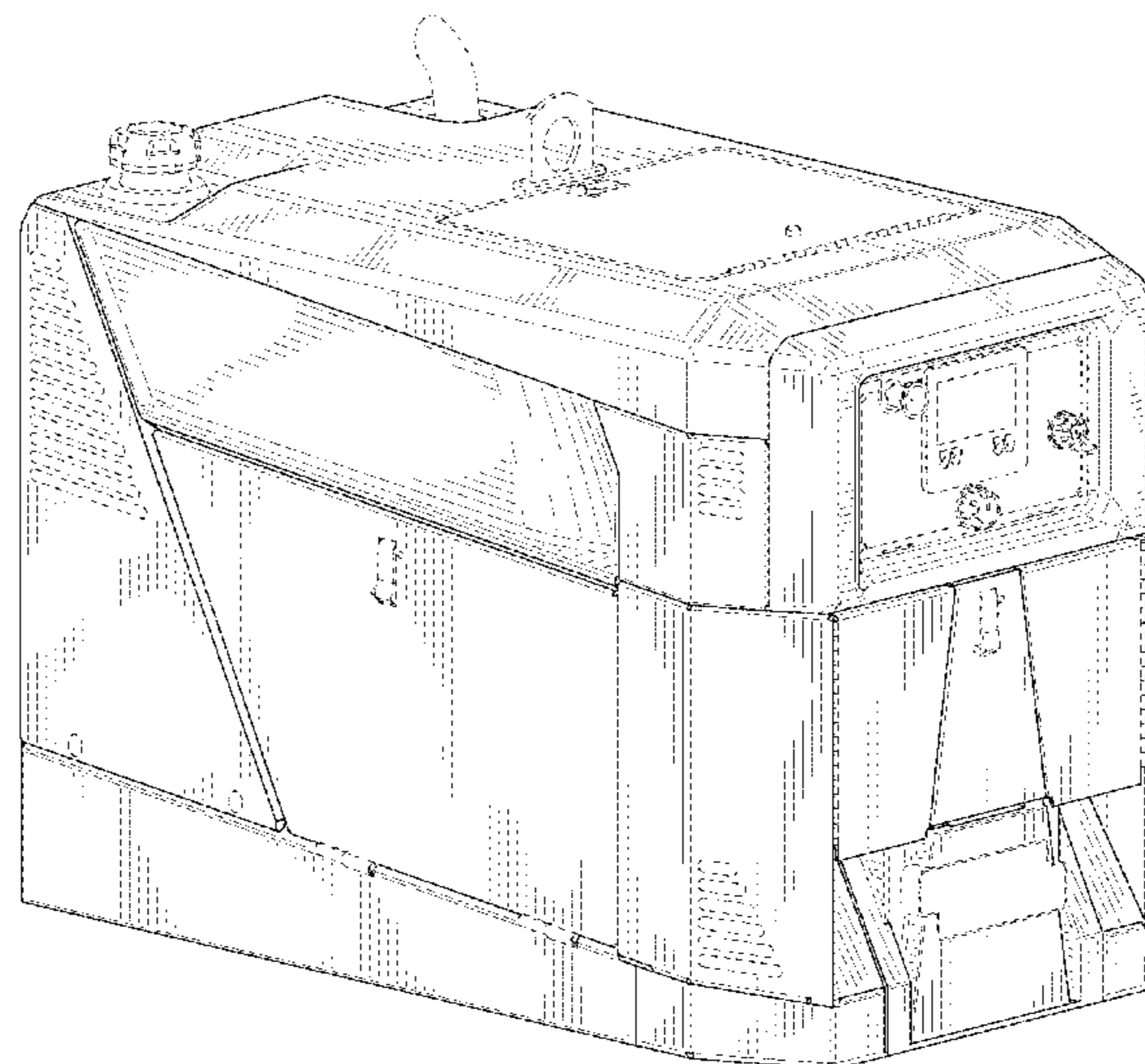
FIG. 1 is a front perspective view of a welder enclosure showing our new design;
 FIG. 2 is another front perspective view, taken from top and right side thereof;
 FIG. 3 is a rear perspective view thereof;
 FIG. 4 is another rear perspective view, taken from the top and left side thereof;
 FIG. 5 is another rear perspective view, taken from the bottom and right side thereof;
 FIG. 6 is another rear perspective view, taken from the bottom and left side thereof;
 FIG. 7 is a front elevation view thereof;
 FIG. 8 is a rear elevation view thereof;
 FIG. 9 is a left side elevation view thereof;
 FIG. 10 is a right side elevation view thereof;
 FIG. 11 is a top plan view thereof; and,
 FIG. 12 is a bottom plan view thereof.
 The broken lines show portions of a welder enclosure that form no part of the claimed design.

1 Claim, 12 Drawing Sheets

(56) **References Cited**

U.S. PATENT DOCUMENTS

- D243,459 S * 2/1977 Bliss D15/144
- D289,823 S * 5/1987 Chaney D15/144
- D297,783 S * 9/1988 Chaney D15/144
- D475,726 S * 6/2003 Suga D15/144
- D543,222 S * 5/2007 Pester D15/145
- 7,781,700 B2 * 8/2010 Harris B23K 9/1062
219/130.5
- D629,028 S * 12/2010 Johnson D15/144
- D653,271 S * 1/2012 Kindig D15/144



(56)

References Cited

U.S. PATENT DOCUMENTS

9,737,953 B2 * 8/2017 Chantry B23K 10/006
9,770,776 B2 * 9/2017 Farah B23K 9/1081
9,821,400 B2 * 11/2017 Hillen B23K 9/095
9,833,860 B1 * 12/2017 Peters B23K 10/006
D807,431 S * 1/2018 Mathkar D19/59
D810,161 S * 2/2018 Snead D15/144
D811,456 S * 2/2018 Dekker D15/144
D812,119 S * 3/2018 Dekker D15/144
D821,463 S * 6/2018 Lin D15/144
D821,464 S * 6/2018 Lin D15/144
D821,465 S * 6/2018 Lin D15/144
D822,732 S * 7/2018 Deivasigamani D15/144
D827,687 S * 9/2018 Lin D15/144
D827,688 S * 9/2018 Lin D15/144
D828,293 S * 9/2018 Li D13/102
D829,788 S * 10/2018 Lin D15/144
2004/0095704 A1 * 5/2004 Cigelske, Jr. B23K 9/32
361/220
2017/0036289 A1 * 2/2017 Enyedy B23K 9/1006
2017/0036290 A1 * 2/2017 Enyedy B23K 9/1006
2017/0036291 A1 * 2/2017 Enyedy B23K 9/1075

* cited by examiner

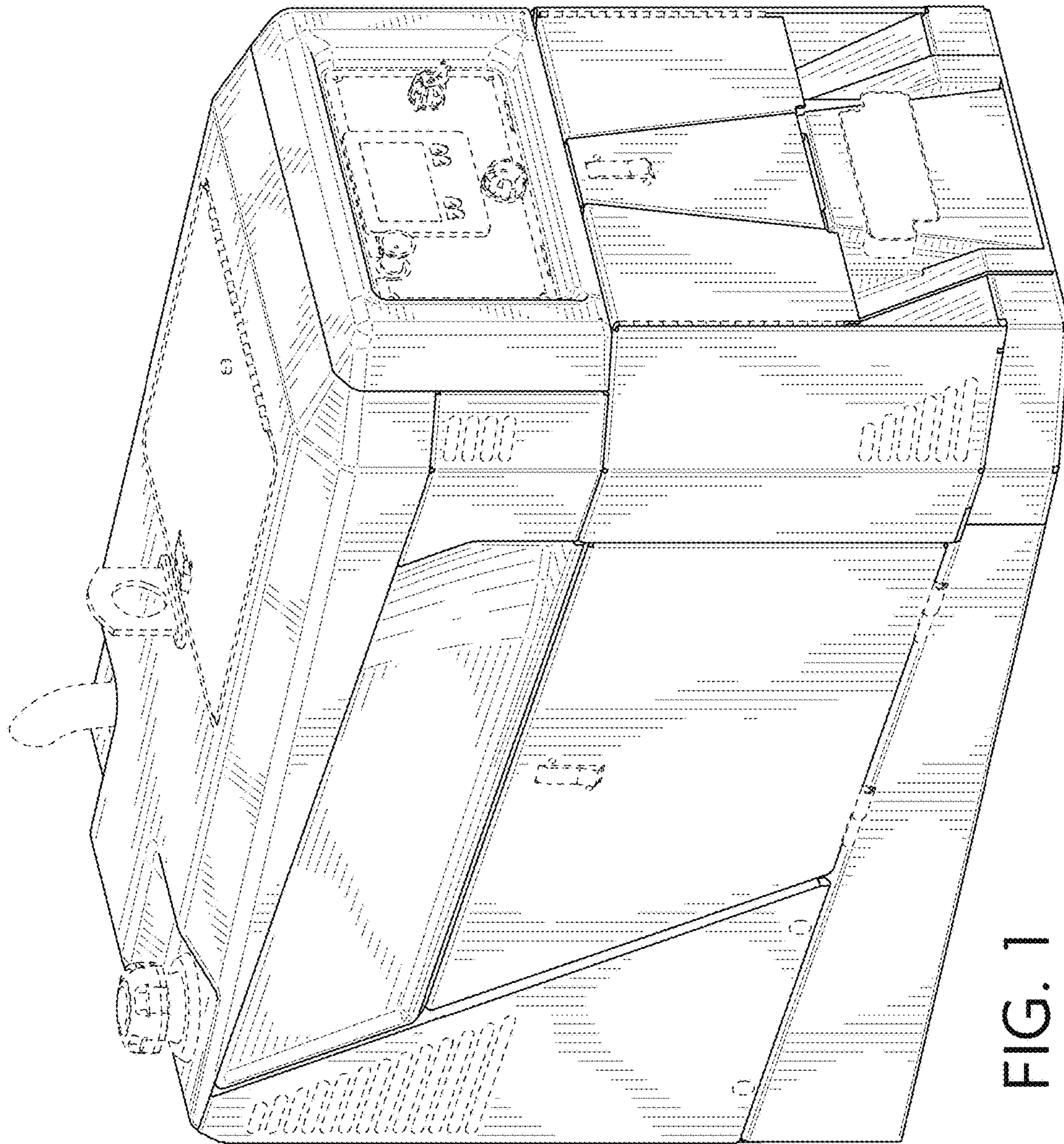


FIG. 1

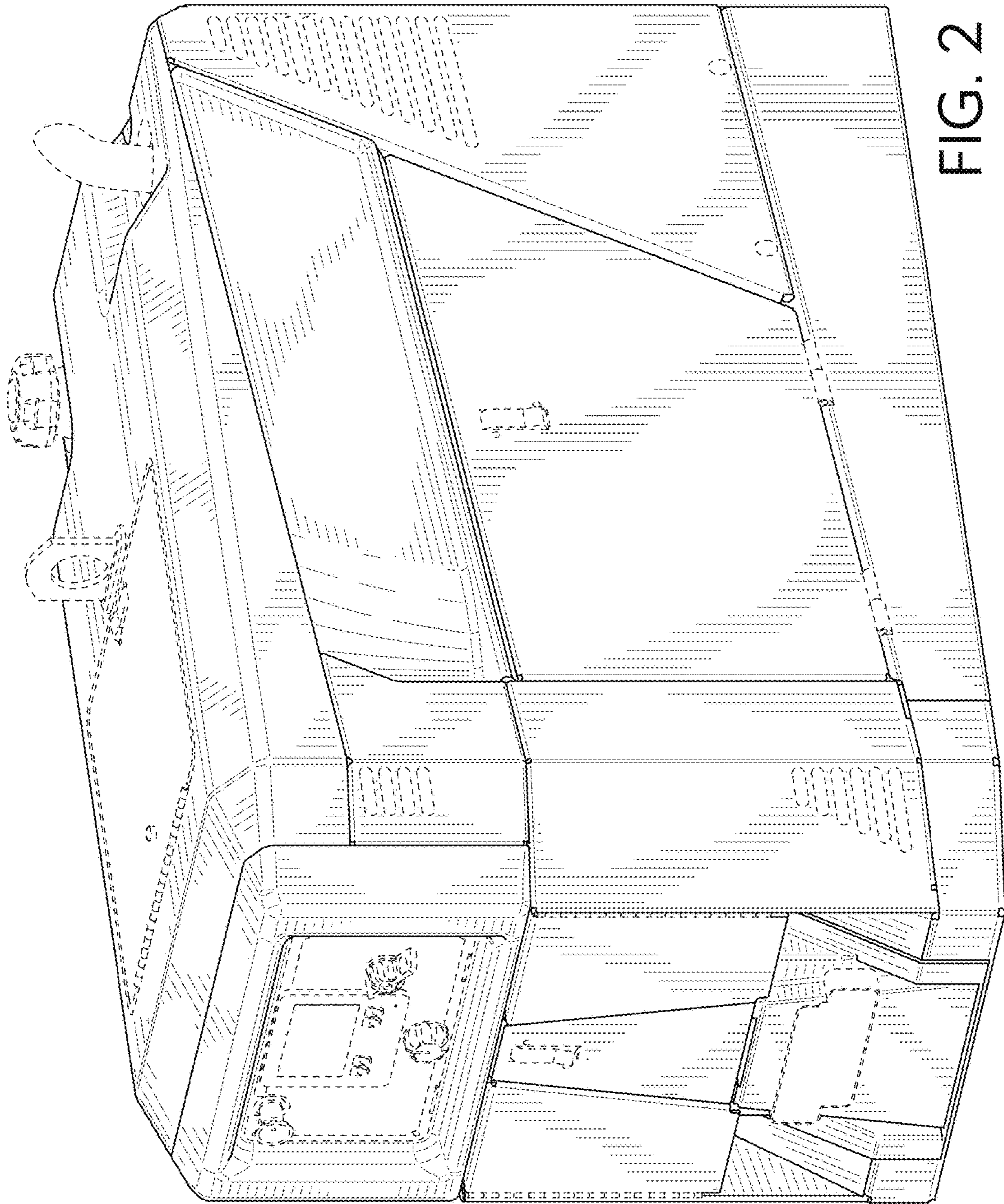


FIG. 2

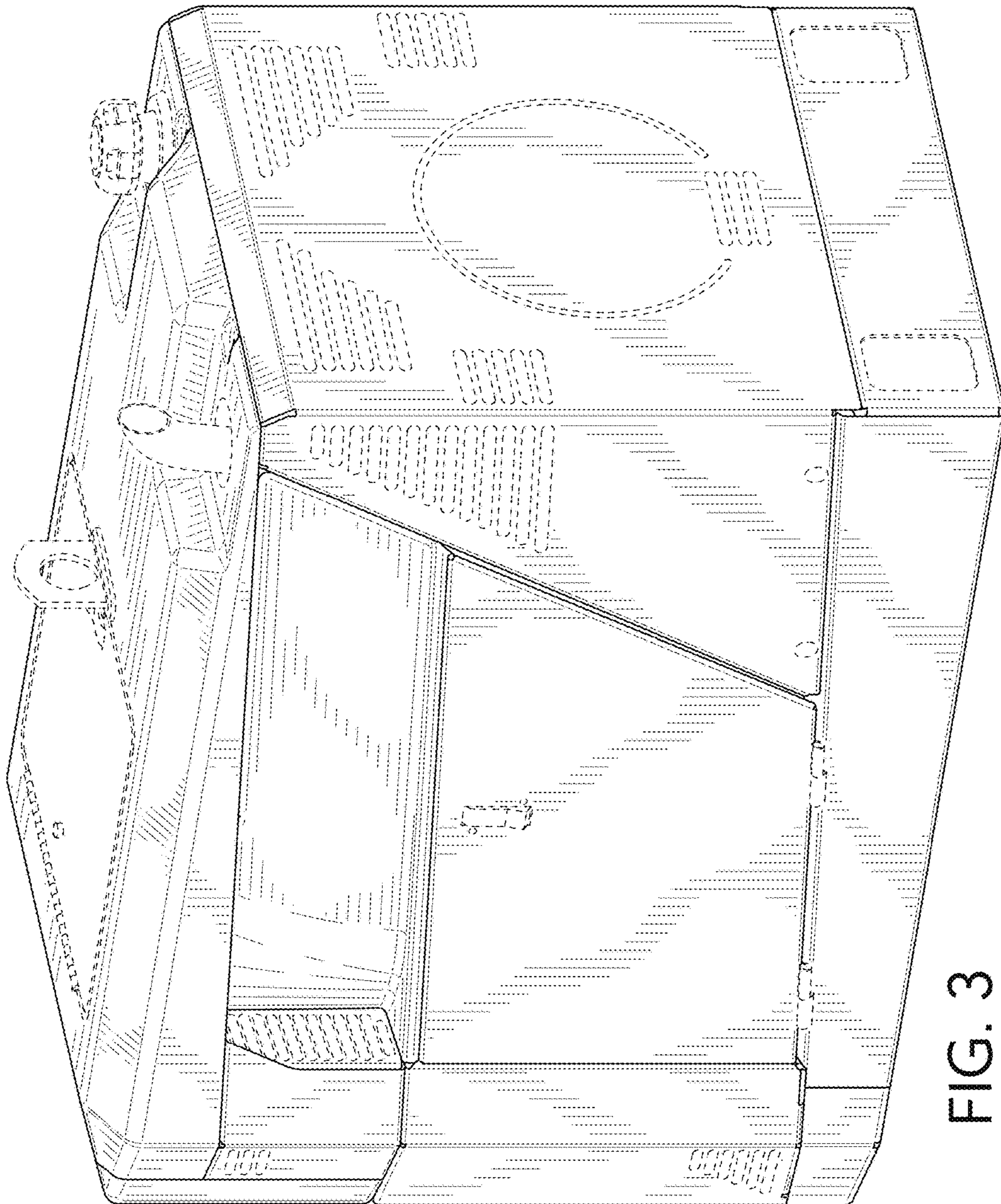


FIG. 3

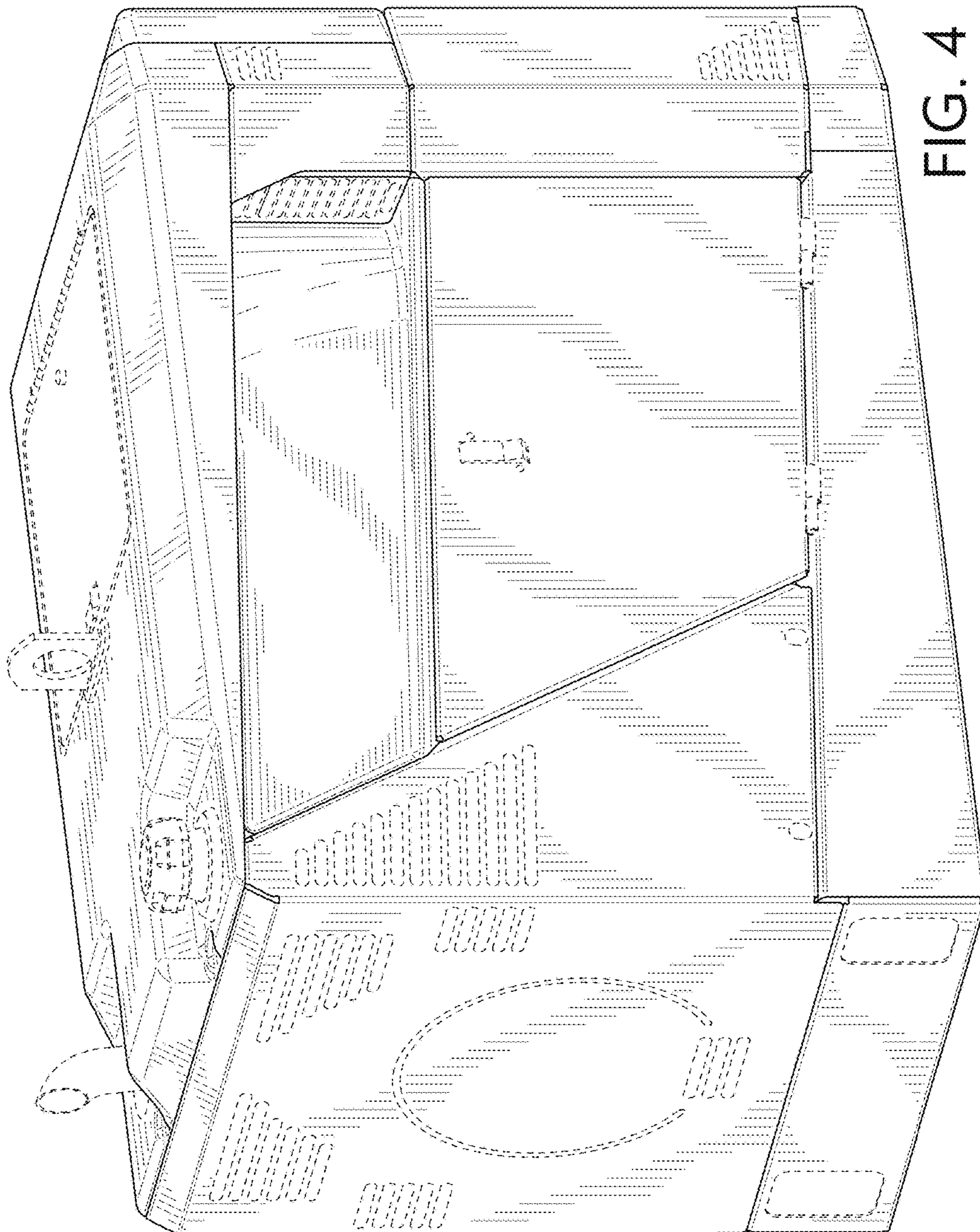


FIG. 4

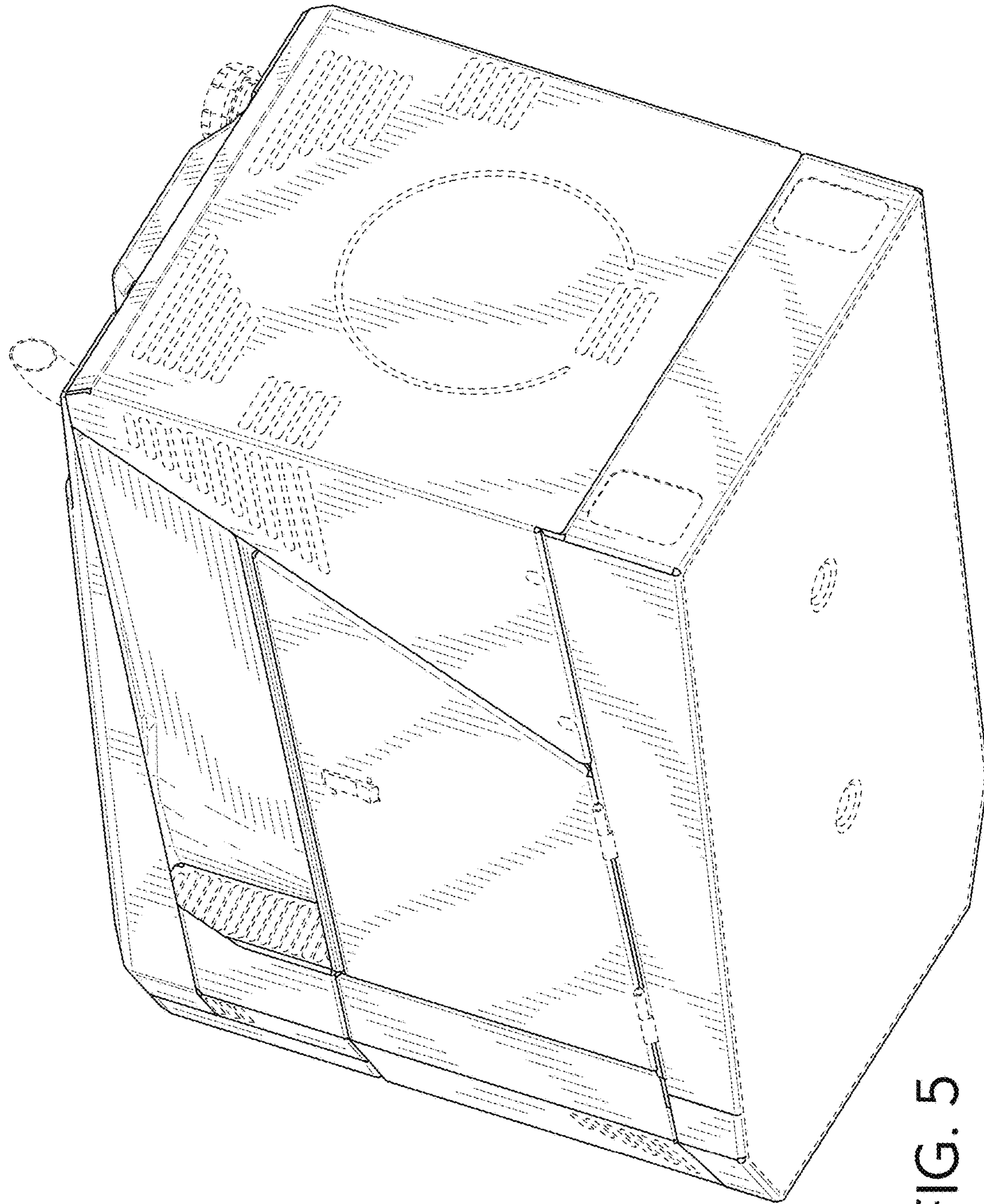


FIG. 5

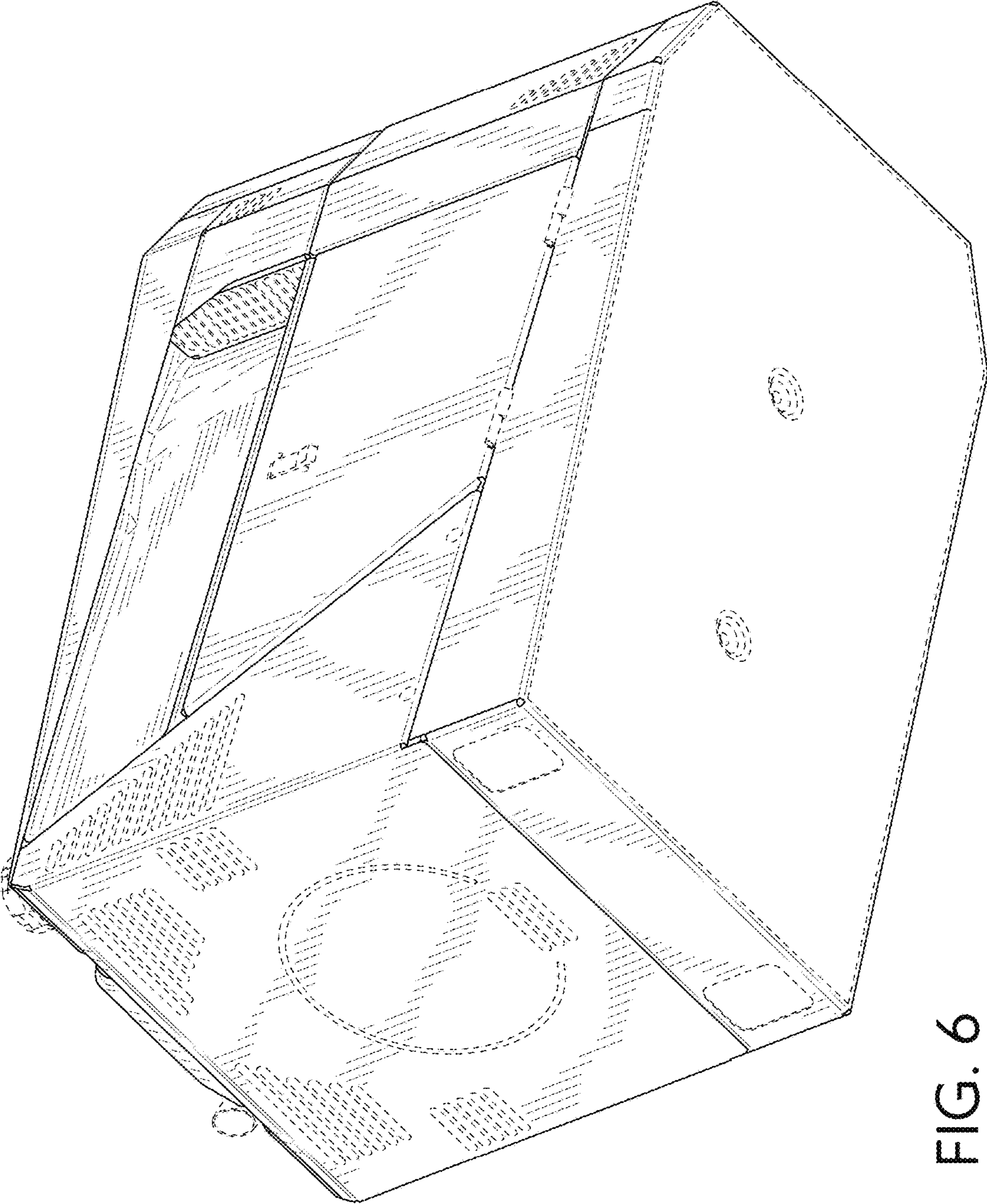


FIG. 6

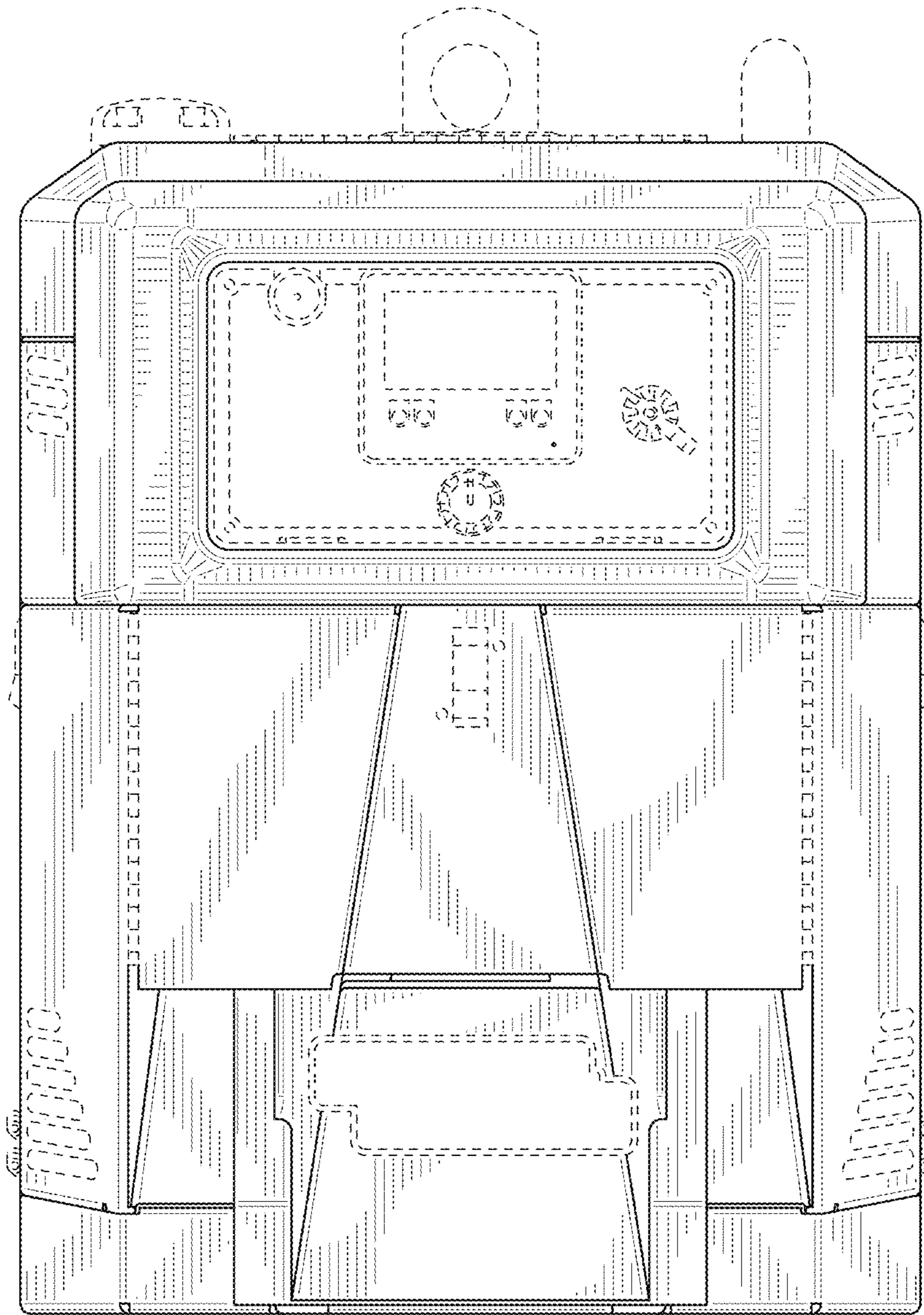


FIG. 7

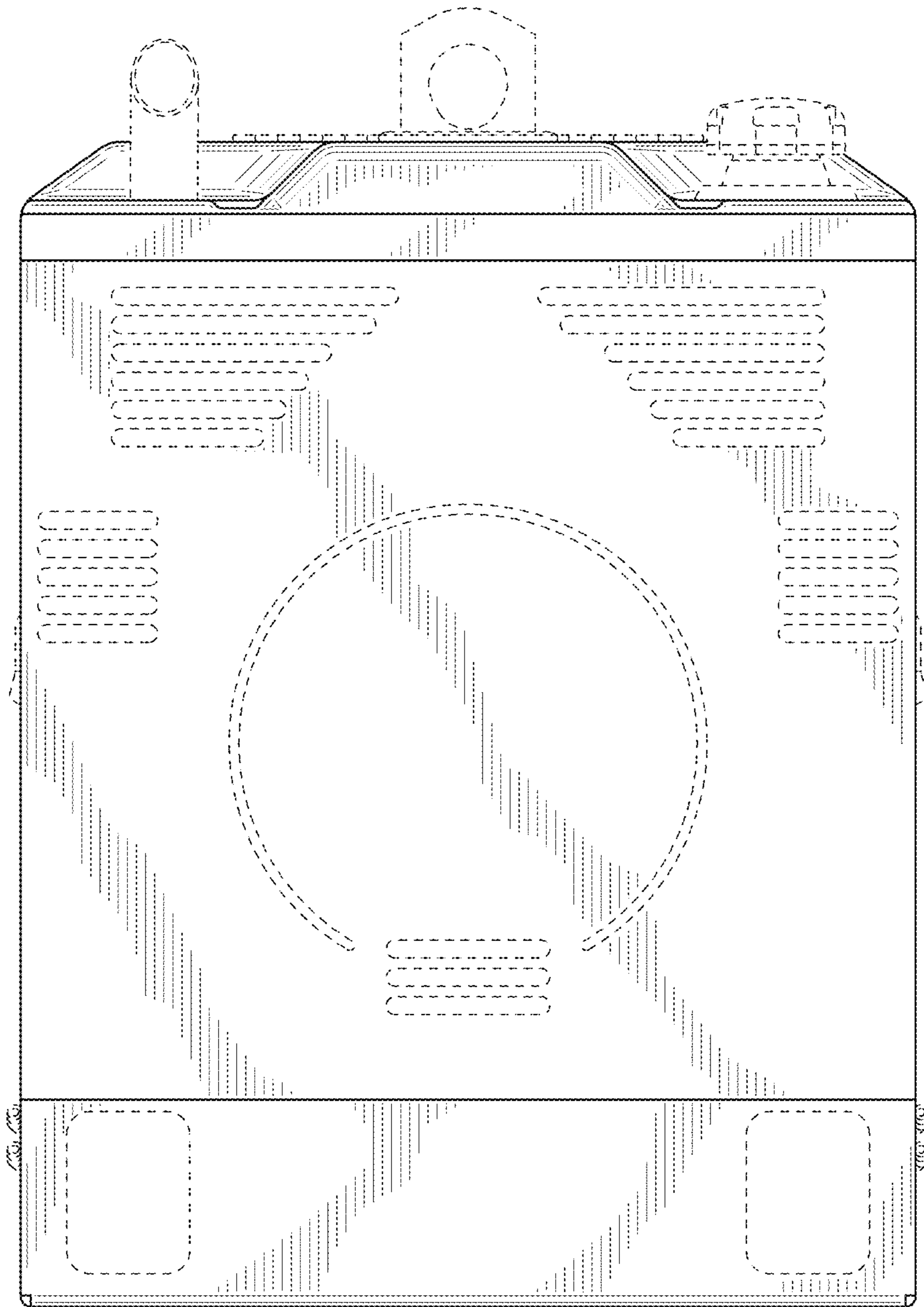


FIG. 8

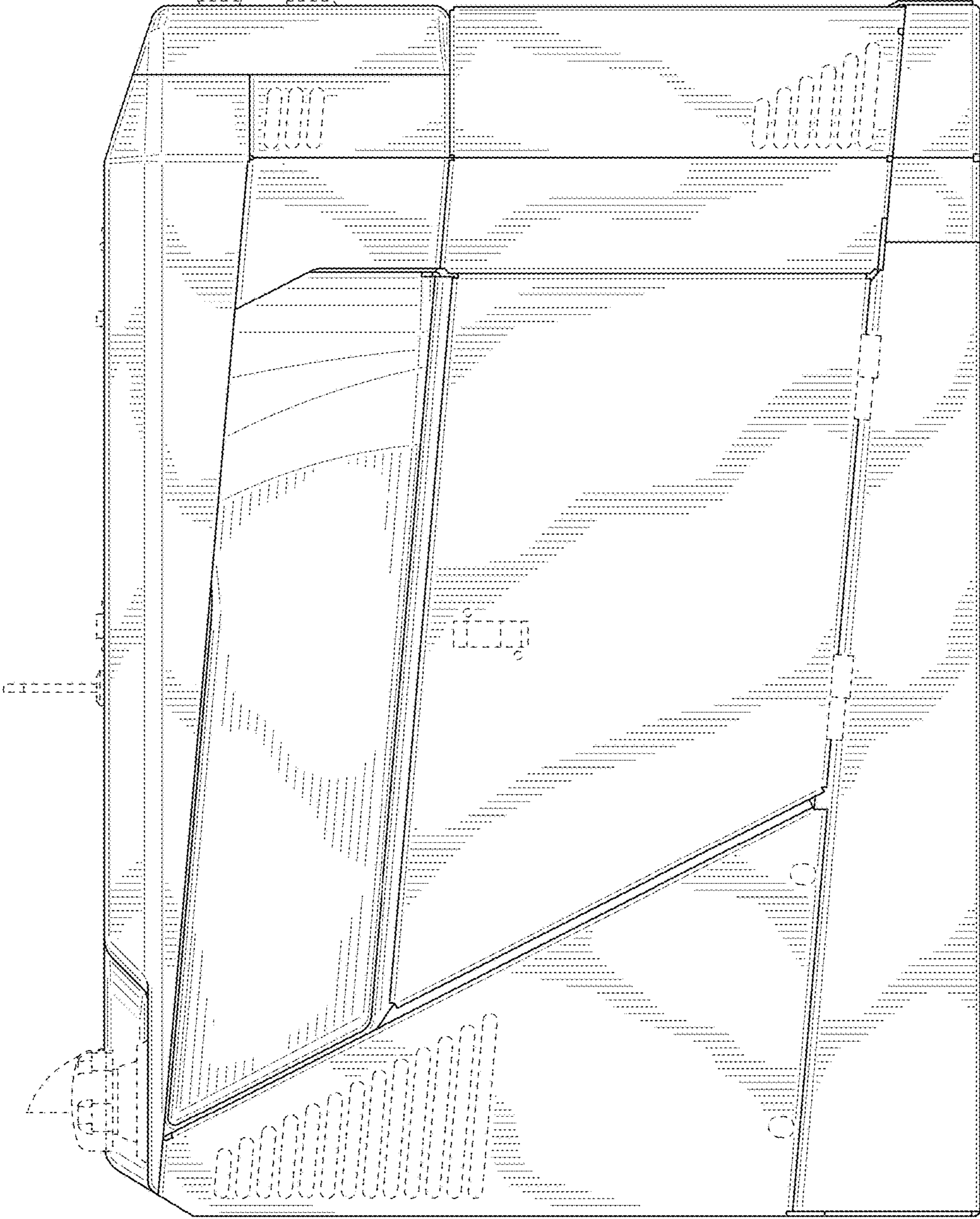


FIG. 9

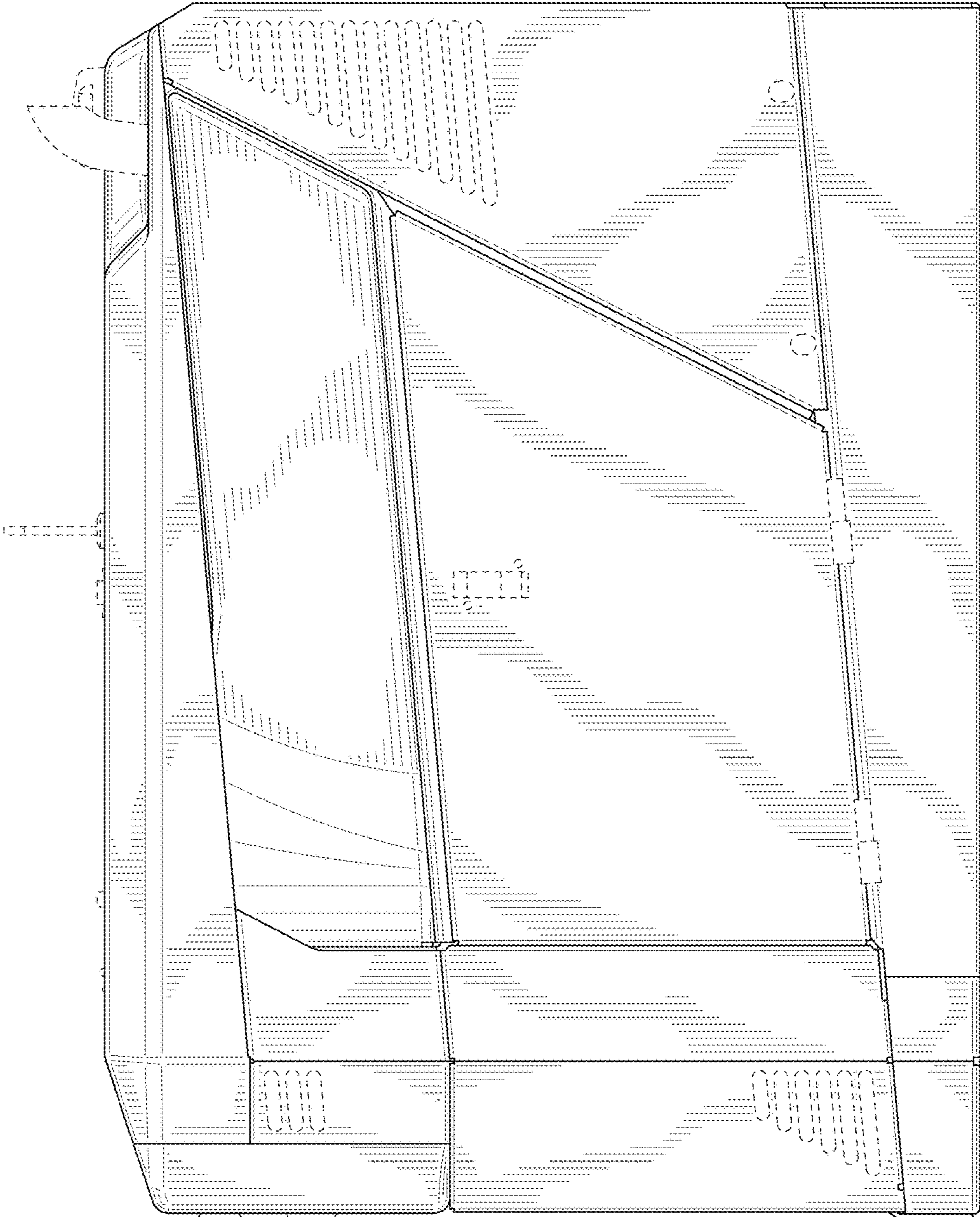


FIG. 10

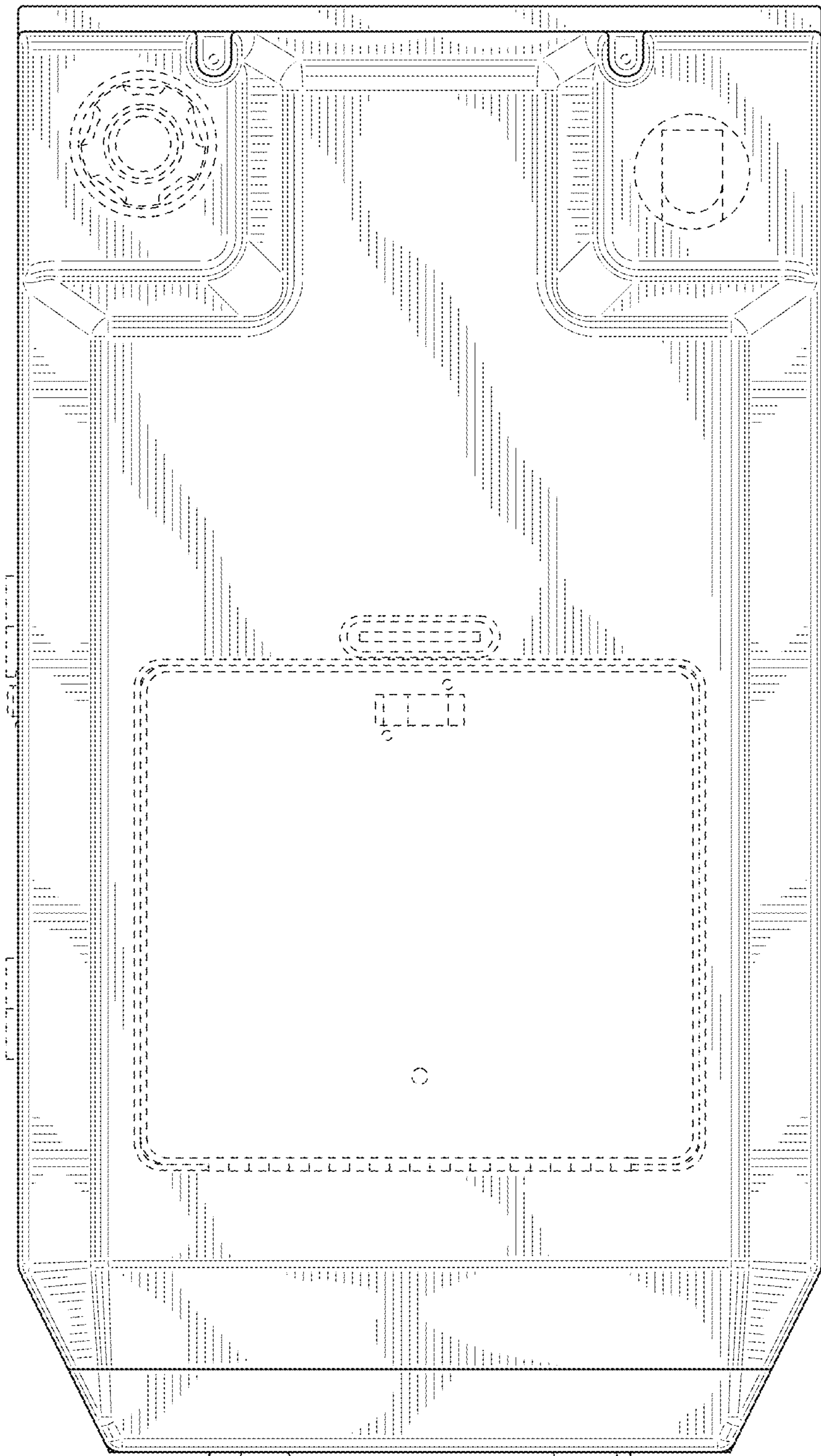


FIG. 11

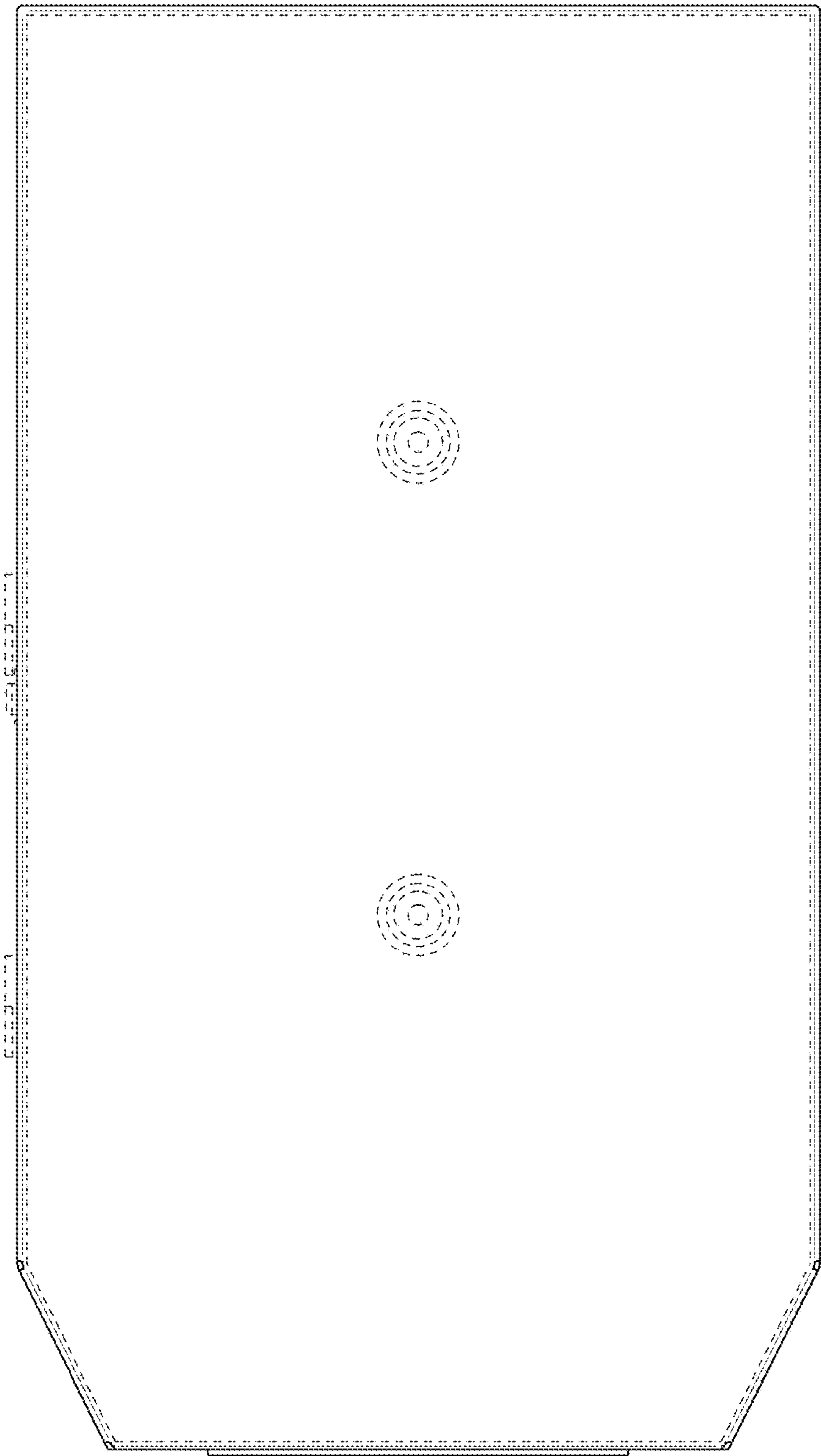


FIG. 12