

US00D844033S

(12) **United States Design Patent** (10) **Patent No.:** **US D844,033 S**  
**Lim et al.** (45) **Date of Patent:** **\*\* Mar. 26, 2019**

(54) **REFRIGERATOR**

F25D 27/005; F25D 23/12; F25D 29/005;  
F25D 17/042; F25D 2325/021

(71) Applicant: **LG ELECTRONICS INC.**, Seoul  
(KR)

See application file for complete search history.

(72) Inventors: **Jaewon Lim**, Seoul (KR); **Youngwon Jeong**, Seoul (KR); **Chulhee Lim**, Seoul (KR); **Byungmu Huh**, Seoul (KR)

(56) **References Cited**

U.S. PATENT DOCUMENTS

(73) Assignee: **LG ELECTRONICS INC.**, Seoul  
(KR)

D243,985 S *	4/1977	Brown	.....	D15/85
D244,019 S *	4/1977	Brown	.....	D15/85
D271,107 S *	10/1983	Trulaske	.....	D15/85
D453,169 S *	1/2002	Ma	.....	D15/81
D467,596 S *	12/2002	Kim	.....	D15/81
D468,325 S *	1/2003	Lorek	.....	D15/81
D478,601 S *	8/2003	Becke	.....	F25D 25/02
				D15/81
D487,278 S *	3/2004	Segers	.....	F25D 11/00
				D15/86
D493,181 S *	7/2004	Kehoe	.....	D15/81
D512,081 S *	11/2005	Chang	.....	D15/81
D513,014 S *	12/2005	Seki	.....	D15/81
D519,133 S *	4/2006	Chang	.....	D15/81
D524,830 S *	7/2006	Lei	.....	D15/81
D539,312 S *	3/2007	Kim	.....	D15/81

(\*\*) Term: **15 Years**

(21) Appl. No.: **35/503,273**

(22) Filed: **Dec. 29, 2016**

(80) **Hague Agreement Data**

Int. Filing Date: **Dec. 29, 2016**  
Int. Reg. No.: **DM/094159**  
Int. Reg. Date: **Dec. 29, 2016**  
Int. Reg. Pub. Date: **Jun. 30, 2017**

(Continued)

*Primary Examiner* — Richard E Chilcot

(74) *Attorney, Agent, or Firm* — Birch, Stewart, Kolasch & Birch, LLP

(30) **Foreign Application Priority Data**

Jul. 1, 2016 (KR) ..... 30-2016-0032275

(51) **LOC (11) Cl.** ..... **15-07**

(52) **U.S. Cl.**  
USPC ..... **D15/79**  
CPC ..... **F25D 11/00** (2013.01)

(58) **Field of Classification Search**  
USPC ..... D6/334-336, 349-380, 519, 559-561,  
D6/611, 646, 657, 660, 661, 662.1, 663,  
D6/672-675.3, 683, 683.1, 685, 691,  
D6/691.5, 699, 702, 708, 708.2, 708.21,  
D6/708.25, 716, 716.1-716.4;  
D15/79-91  
CPC ..... F25D 23/028; F25D 23/02; F25D 25/025;  
F25D 23/00; F25D 2323/021; F25D  
11/00; F25D 2323/024; F25D 23/04;  
F25D 29/00; F25D 25/02; F25D 25/024;

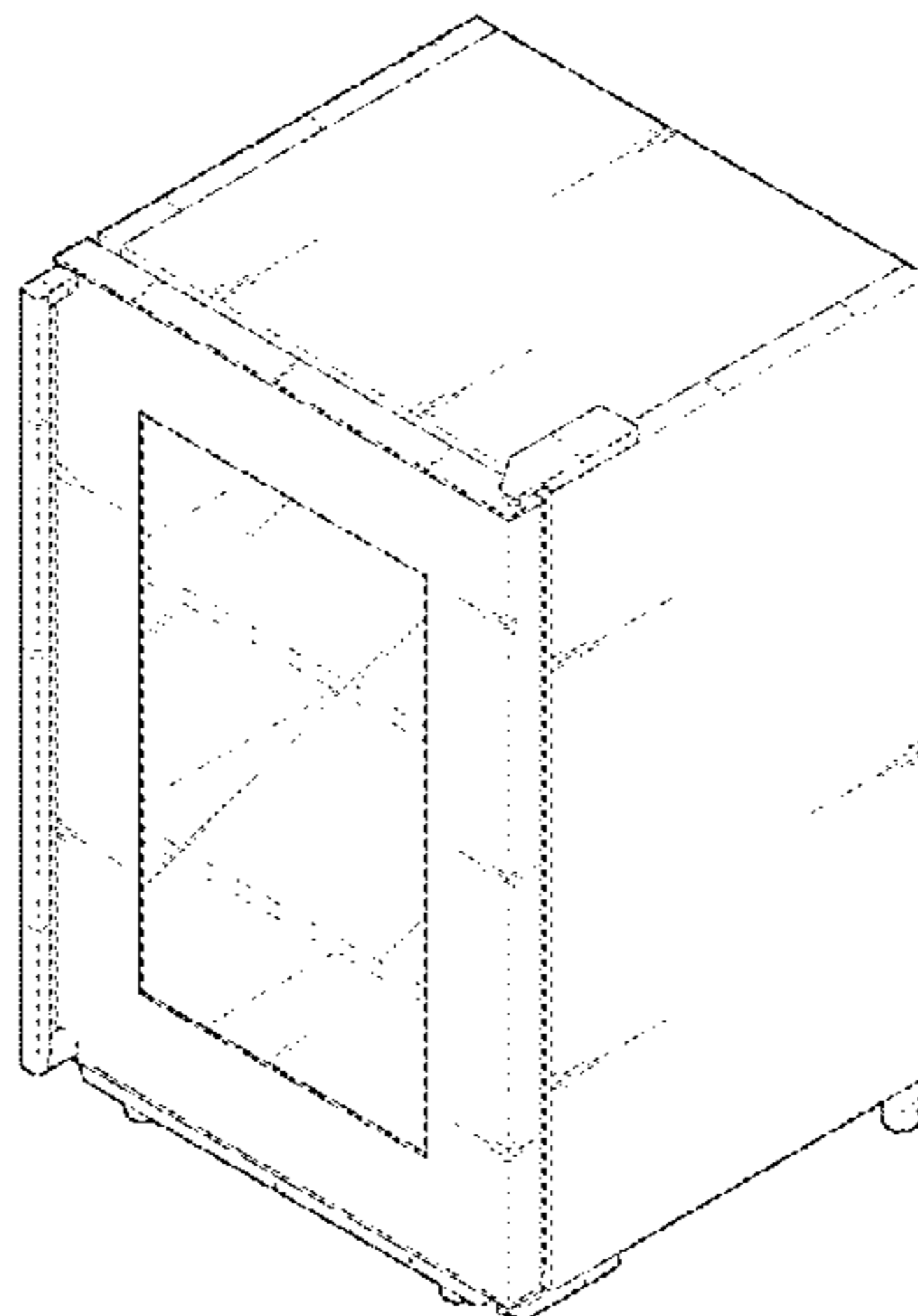
(57) **CLAIM**

The ornamental design for a refrigerator, as shown and described.

**DESCRIPTION**

- 1. Refrigerator
- 1.1 : Perspective
- 1.2 : Front
- 1.3 : Back
- 1.4 : Left
- 1.5 : Right
- 1.6 : Top
- 1.7 : Bottom

(Continued)



The broken lines depict portions of the refrigerator that form no part of the claimed design.

**1 Claim, 7 Drawing Sheets**

(56)

**References Cited**

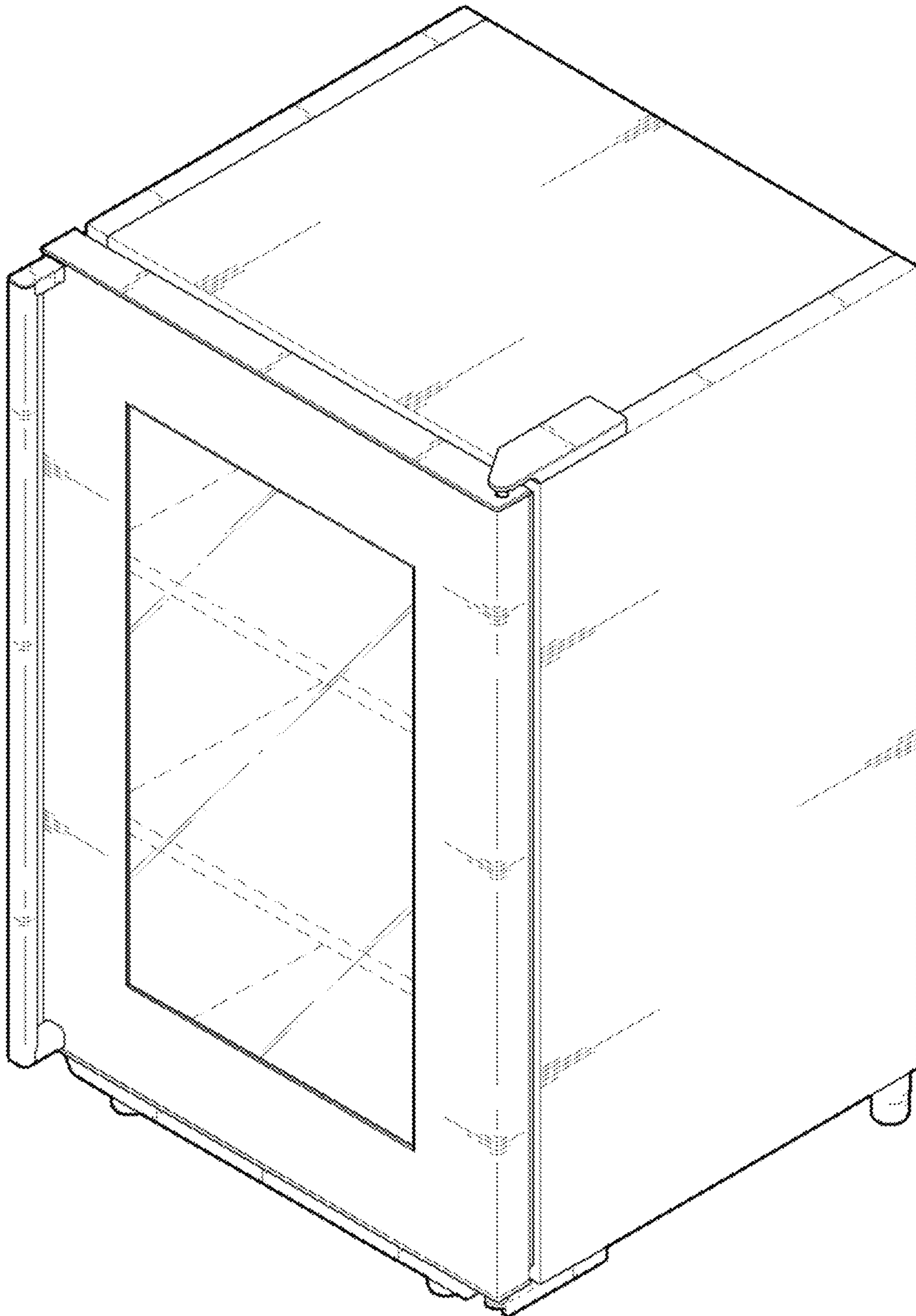
U.S. PATENT DOCUMENTS

D540,831	S	*	4/2007	Kim	.....	D15/81
D541,315	S	*	4/2007	Trulaske, Sr.	.....	D15/81
D550,256	S	*	9/2007	Lei	.....	D15/81
D604,340	S	*	11/2009	Kim	.....	D15/81
D615,565	S	*	5/2010	Kristiansen	.....	D15/86
D627,374	S	*	11/2010	Yang	.....	D15/81
D629,022	S	*	12/2010	Cho	.....	D15/85
D630,231	S	*	1/2011	Yang	.....	D15/81
D654,098	S	*	2/2012	Piffl	.....	D15/81
D656,967	S	*	4/2012	Yi	.....	D15/86
D660,886	S	*	5/2012	Piffl	.....	D15/91
D673,189	S	*	12/2012	Kwak	.....	D15/86
D681,075	S	*	4/2013	Yi	.....	D15/86
D687,076	S	*	7/2013	Schaefer	.....	D15/81

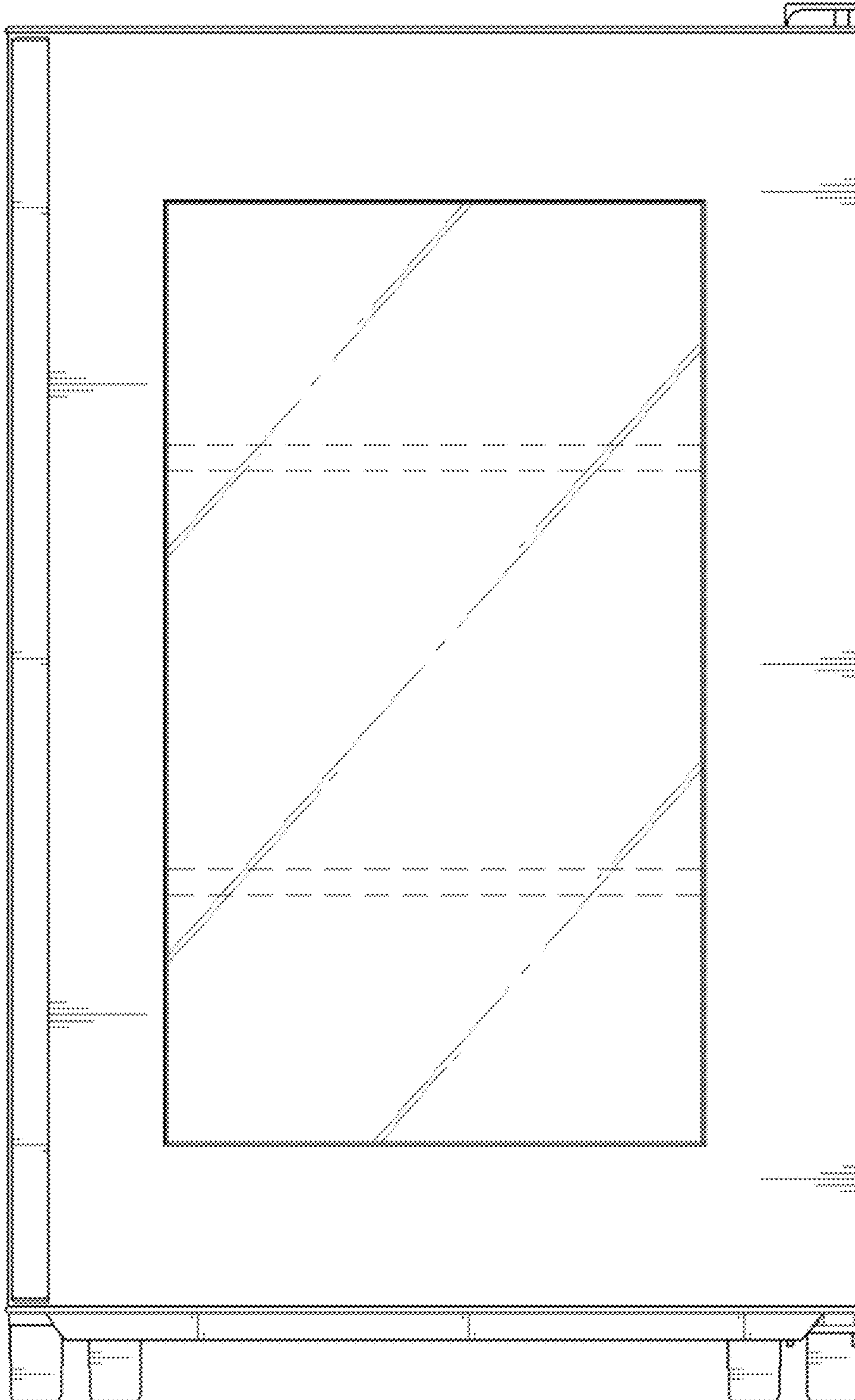
D691,644	S	*	10/2013	Cho	.....	D15/86
D695,795	S	*	12/2013	Schaefer	.....	D15/81
D698,371	S	*	1/2014	Brenneis	.....	D15/81
D701,539	S	*	3/2014	Saejin	.....	D15/85
D702,739	S	*	4/2014	Kim	.....	D15/86
D704,981	S	*	5/2014	Gates	.....	D7/332
D705,278	S	*	5/2014	Schaefer	.....	D15/81
D705,279	S	*	5/2014	Schaefer	.....	D15/81
D705,824	S	*	5/2014	Schaefer	.....	D15/81
D724,629	S	*	3/2015	Choi	.....	D15/85
D729,286	S	*	5/2015	Kwak	.....	D15/85
D732,584	S	*	6/2015	Sin	.....	D15/86
D742,434	S	*	11/2015	Yeo	.....	D15/86
D767,648	S	*	9/2016	Shoemaker	.....	D15/86
D775,245	S	*	12/2016	Seo	.....	D15/81
D776,726	S	*	1/2017	Mauffette	.....	D15/81
D781,931	S	*	3/2017	Sherman	.....	D15/80
D794,684	S	*	8/2017	Mauffette	.....	D15/81
D803,602	S	*	11/2017	Hightower	.....	D6/663
D814,215	S	*	4/2018	Yan	.....	D6/660
2007/0228909	A1	*	10/2007	Hwang	.....	F25D 25/024 312/408
2008/0047209	A1	*	2/2008	Hinterholzer	.....	A47F 3/0434 52/208

\* cited by examiner

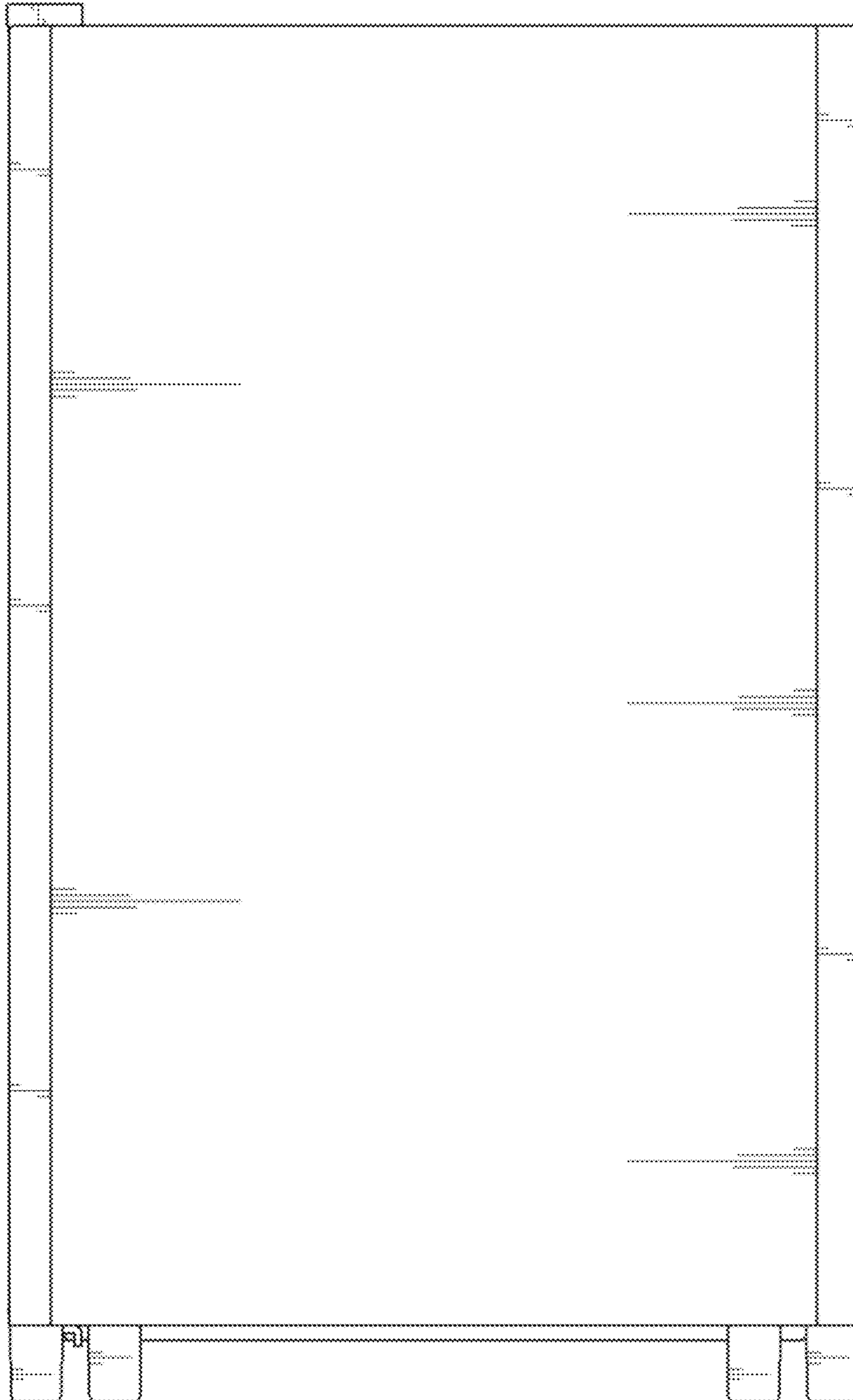
1.1



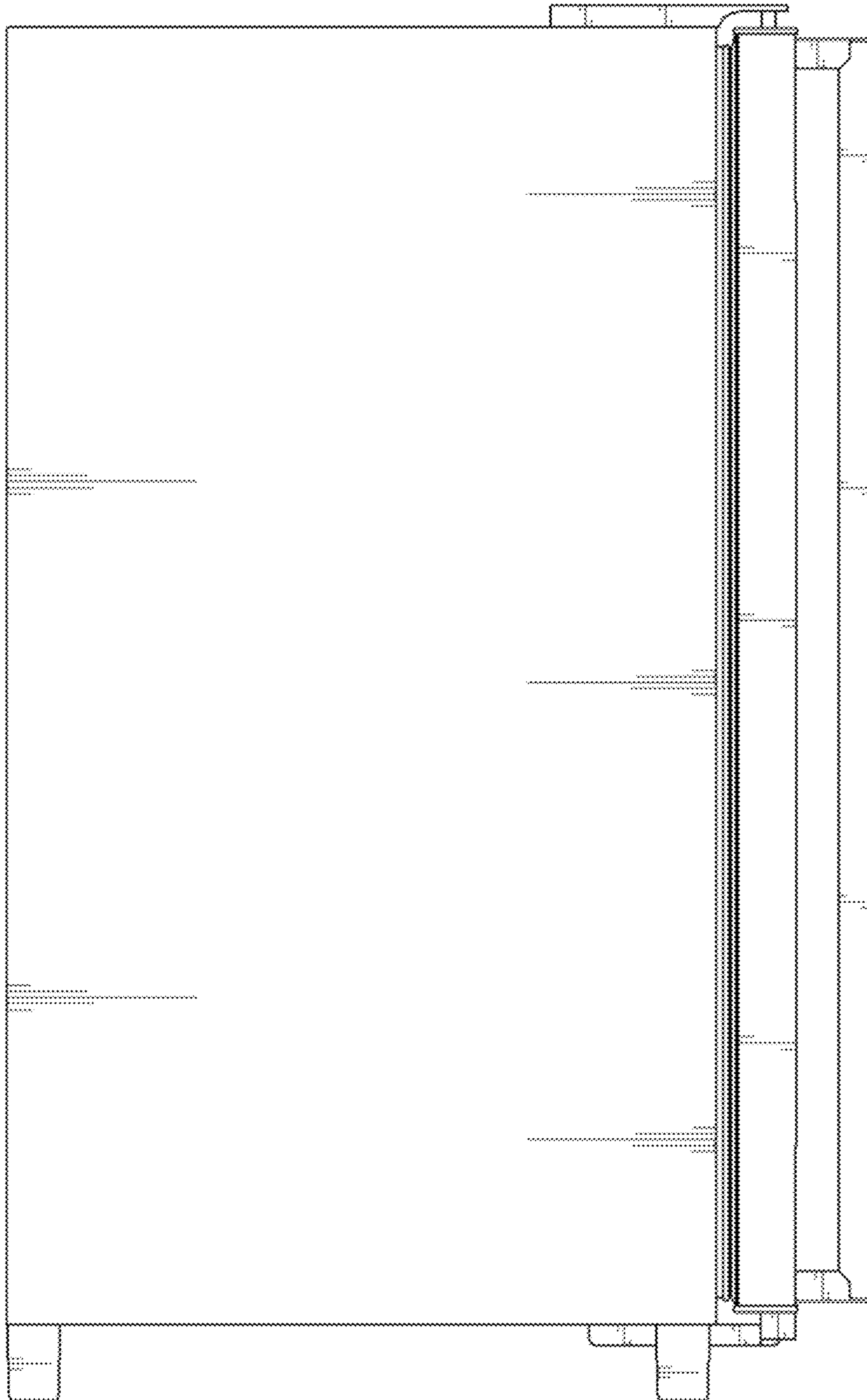
1.2



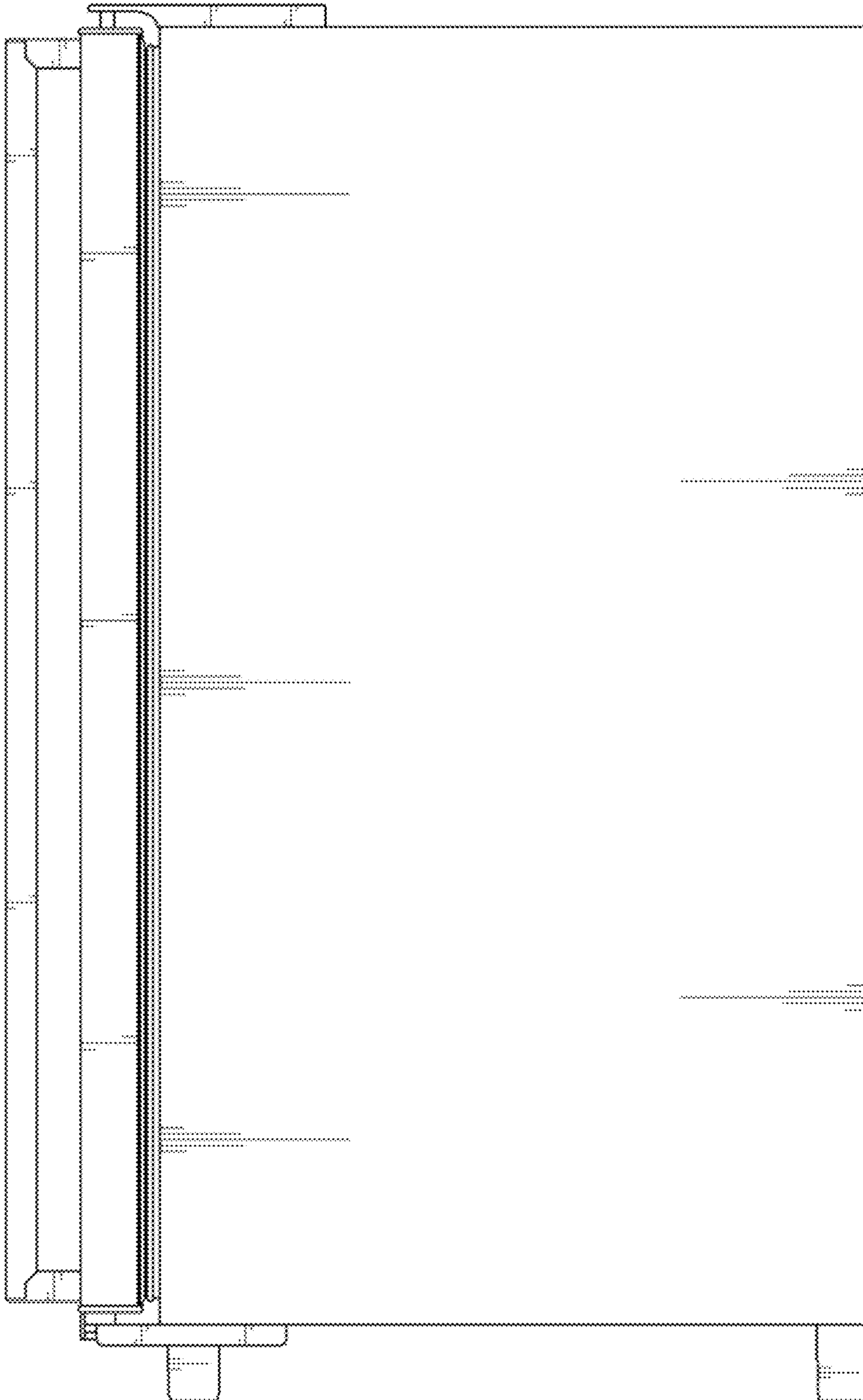
1.3



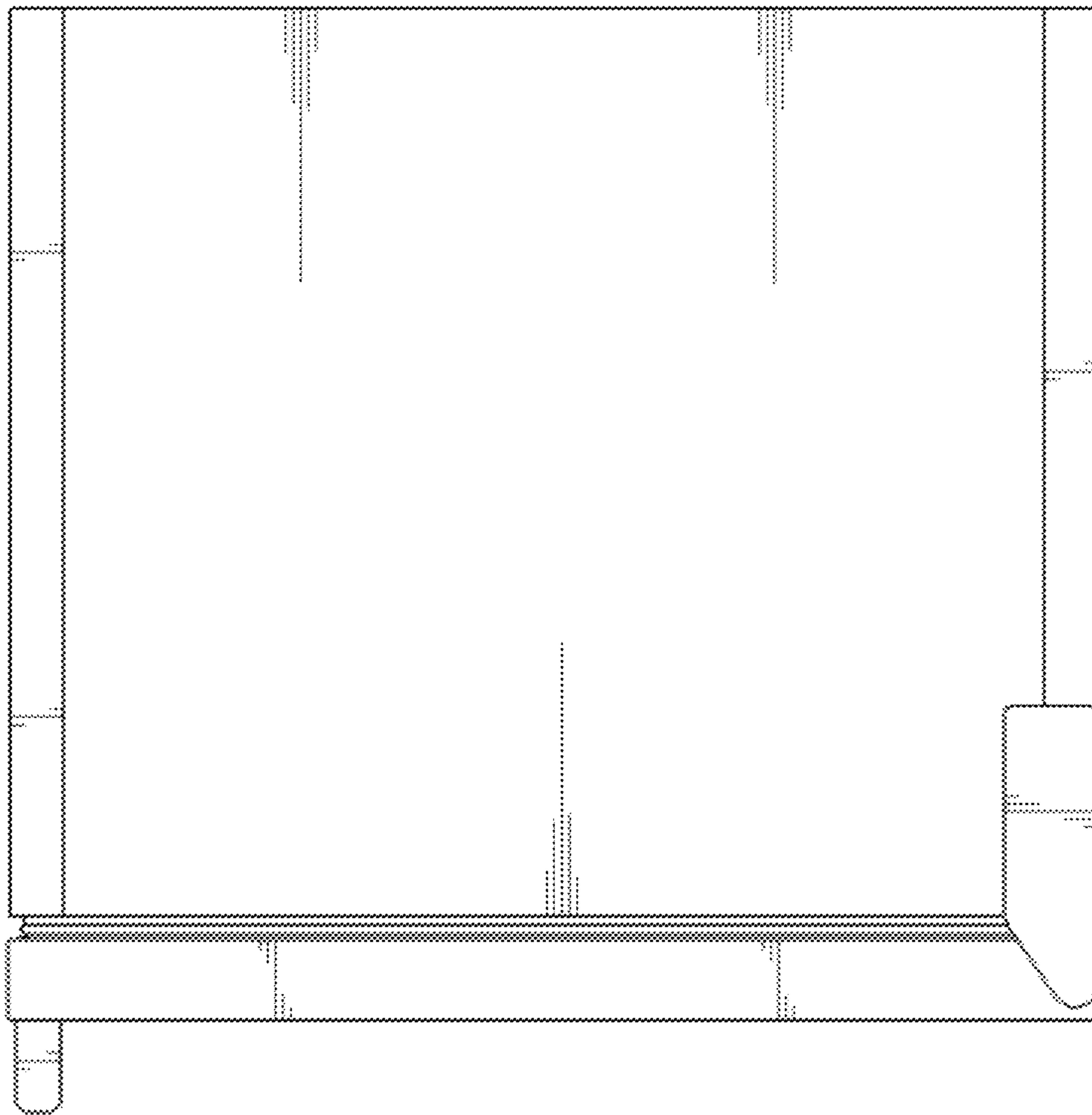
1.4



1.5



1.6





1.7

