



US00D844032S

(12) **United States Design Patent**
Kawaguchi

(10) **Patent No.:** **US D844,032 S**
(45) **Date of Patent:** **** Mar. 26, 2019**

- (54) **SEWING MACHINE**
- (71) Applicant: **JANOME SEWING MACHINE Co., Ltd.**, Hachioji-shi, Tokyo (JP)
- (72) Inventor: **Kiyomi Kawaguchi**, Hachioji (JP)
- (73) Assignee: **JANOME SEWING MACHINE CO., LTD.**, Hachioji-Shi, Tokyo (JP)
- (**) Term: **15 Years**
- (21) Appl. No.: **29/624,566**
- (22) Filed: **Nov. 2, 2017**

4,314,517 A *	2/1982	Kasahara	D05B 77/00
				108/26
D280,730 S *	9/1985	Uchida	D15/69
D280,826 S *	10/1985	Kuroki	D15/69
D281,429 S *	11/1985	Kuroki	D15/69
D288,690 S *	3/1987	Uchida	D15/69
D289,052 S *	3/1987	Kuroki	D15/69
D289,053 S *	3/1987	Kuroki	D15/69
D289,654 S *	5/1987	Uchida	D15/69
D293,115 S *	12/1987	Kuroki	D15/69
D314,200 S *	1/1991	Uchida	D15/70
D323,832 S *	2/1992	Eguchi	D15/69
D359,053 S *	6/1995	Gustafsson	D15/70
D523,030 S *	6/2006	Muto	D15/69
D524,829 S *	7/2006	Muto	D15/69
D579,030 S *	10/2008	Woehrle	D15/70
D580,955 S *	11/2008	Woehrle	D15/70

* cited by examiner

(30) **Foreign Application Priority Data**

May 19, 2017 (JP) 2017-010643

(51) **LOC (11) Cl.** **15-06**

(52) **U.S. Cl.**
USPC **D15/69**

(58) **Field of Classification Search**
USPC D15/66-78
CPC D05B 1/00-25/00
See application file for complete search history.

(56) **References Cited**

U.S. PATENT DOCUMENTS

4,040,369 A *	8/1977	Kaito	D05B 77/00
				112/258
4,044,700 A *	8/1977	Aeschliman	D05B 75/02
				108/90
4,099,474 A *	7/1978	Hamlett	D05B 75/06
				112/258
D249,693 S *	9/1978	Kasahara	D15/68

Primary Examiner — Mitchell I. Siegel

(74) *Attorney, Agent, or Firm* — McGinn IP Law Group, PLLC.

(57) **CLAIM**

The ornamental design for sewing machine, as shown and described.

DESCRIPTION

FIG. 1 is a front elevational view of a sewing machine showing my new design;
FIG. 2 is a rear elevational view thereof;
FIG. 3 is a left-side elevational view thereof;
FIG. 4 is a right-side elevational view thereof;
FIG. 5 is a top plan view thereof;
FIG. 6 is a bottom plan view thereof; and,
FIG. 7 is a front perspective view of a sewing machine showing thereof.

1 Claim, 7 Drawing Sheets

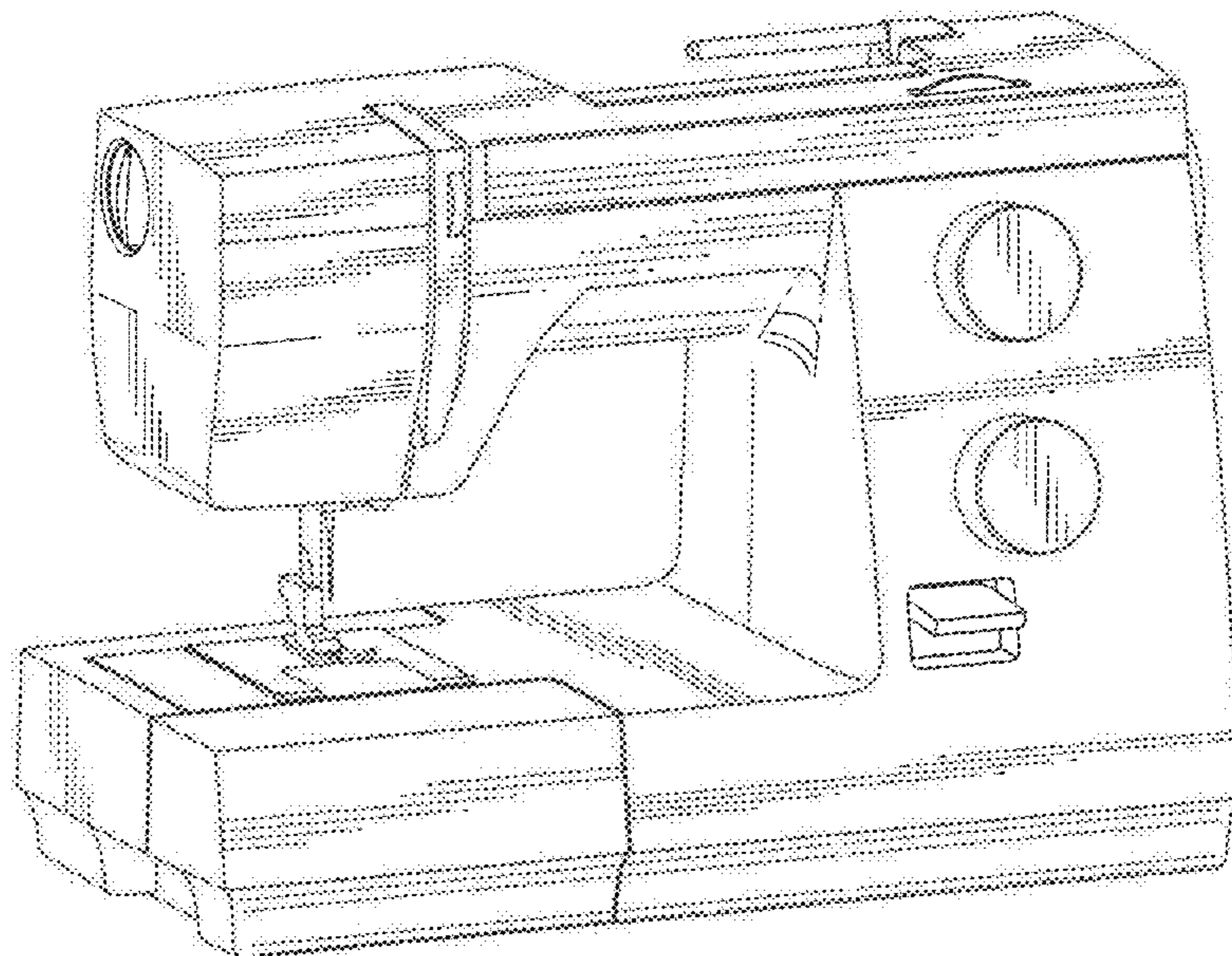
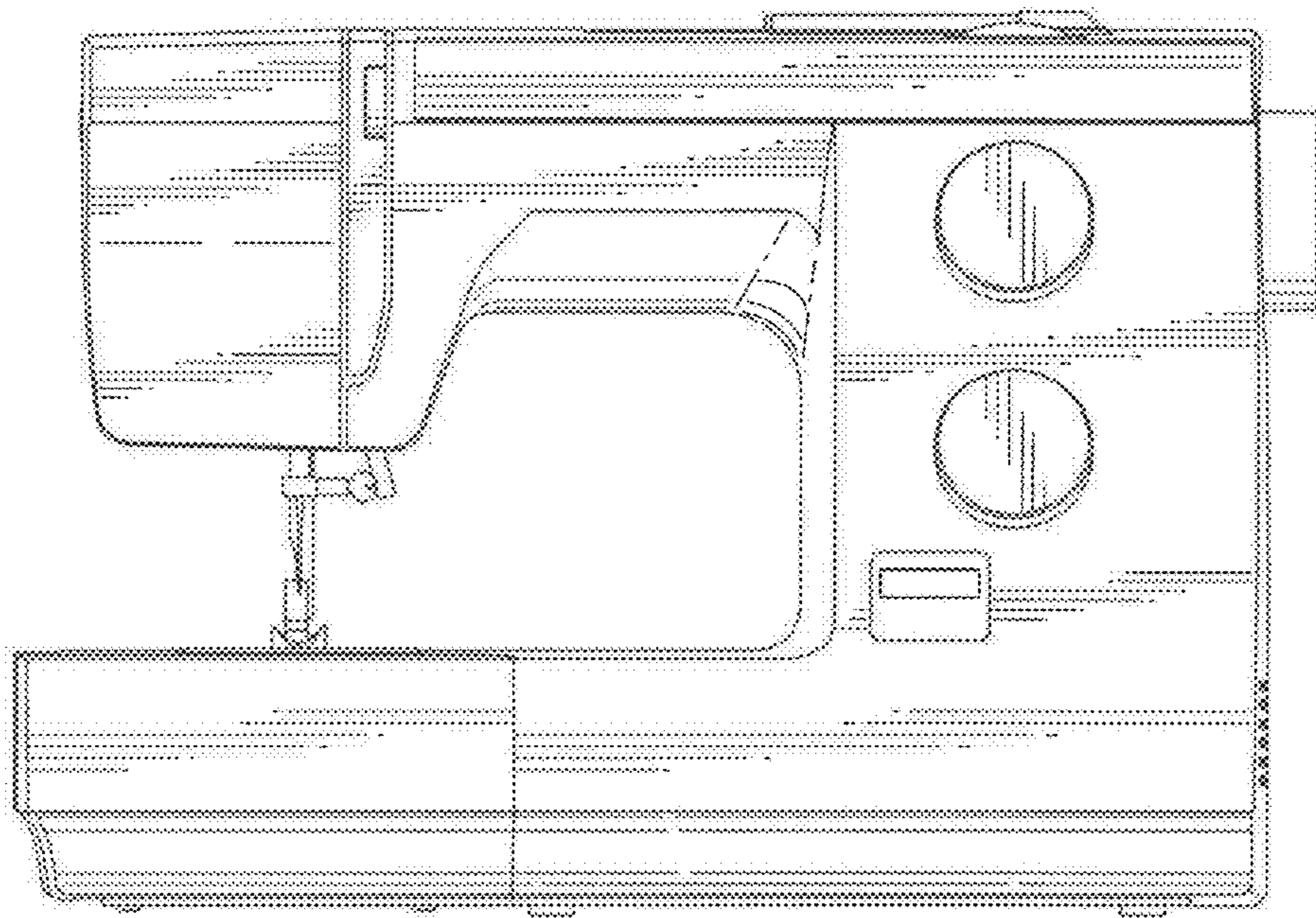


Fig. 1



F i g . 2

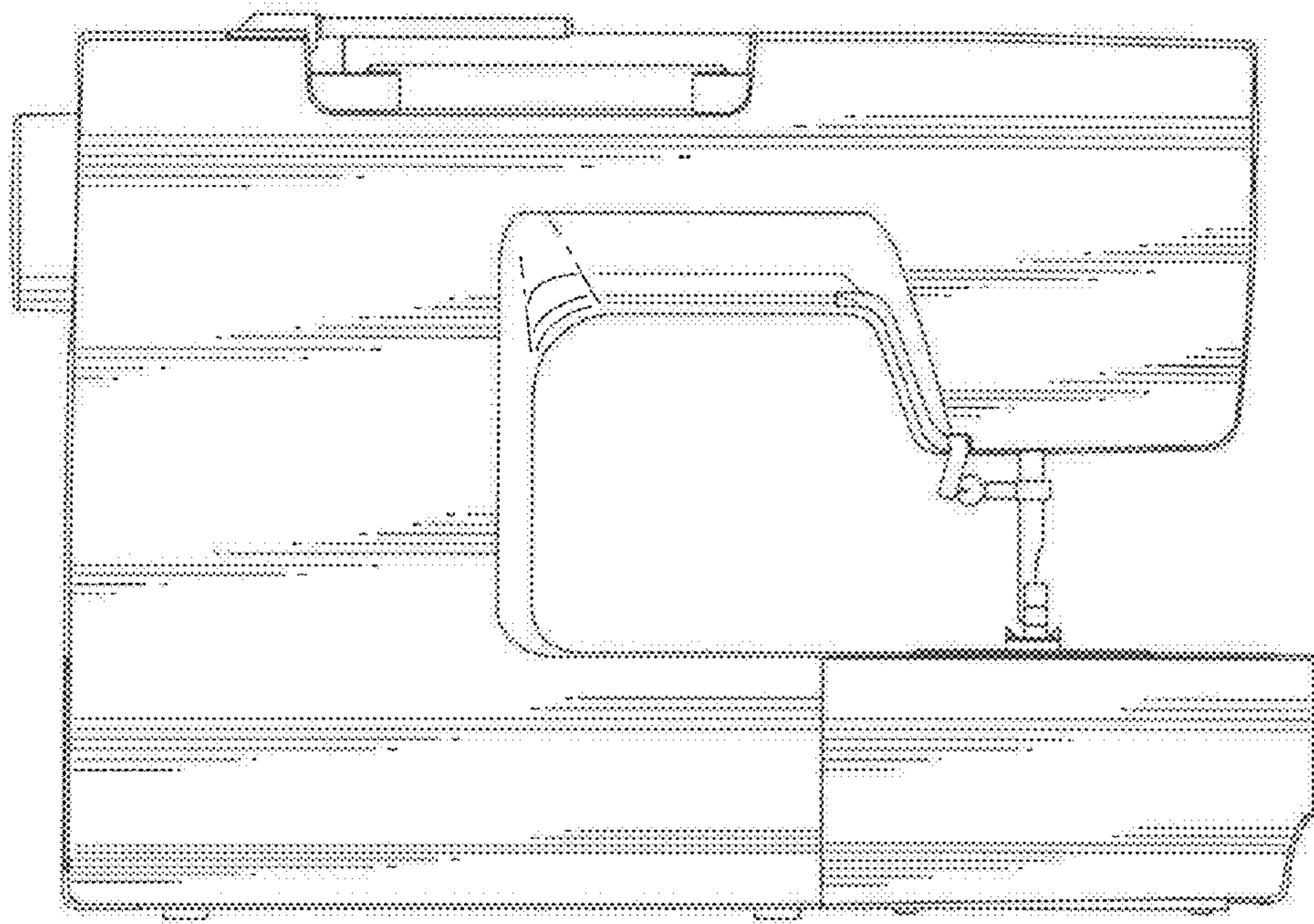


Fig. 3

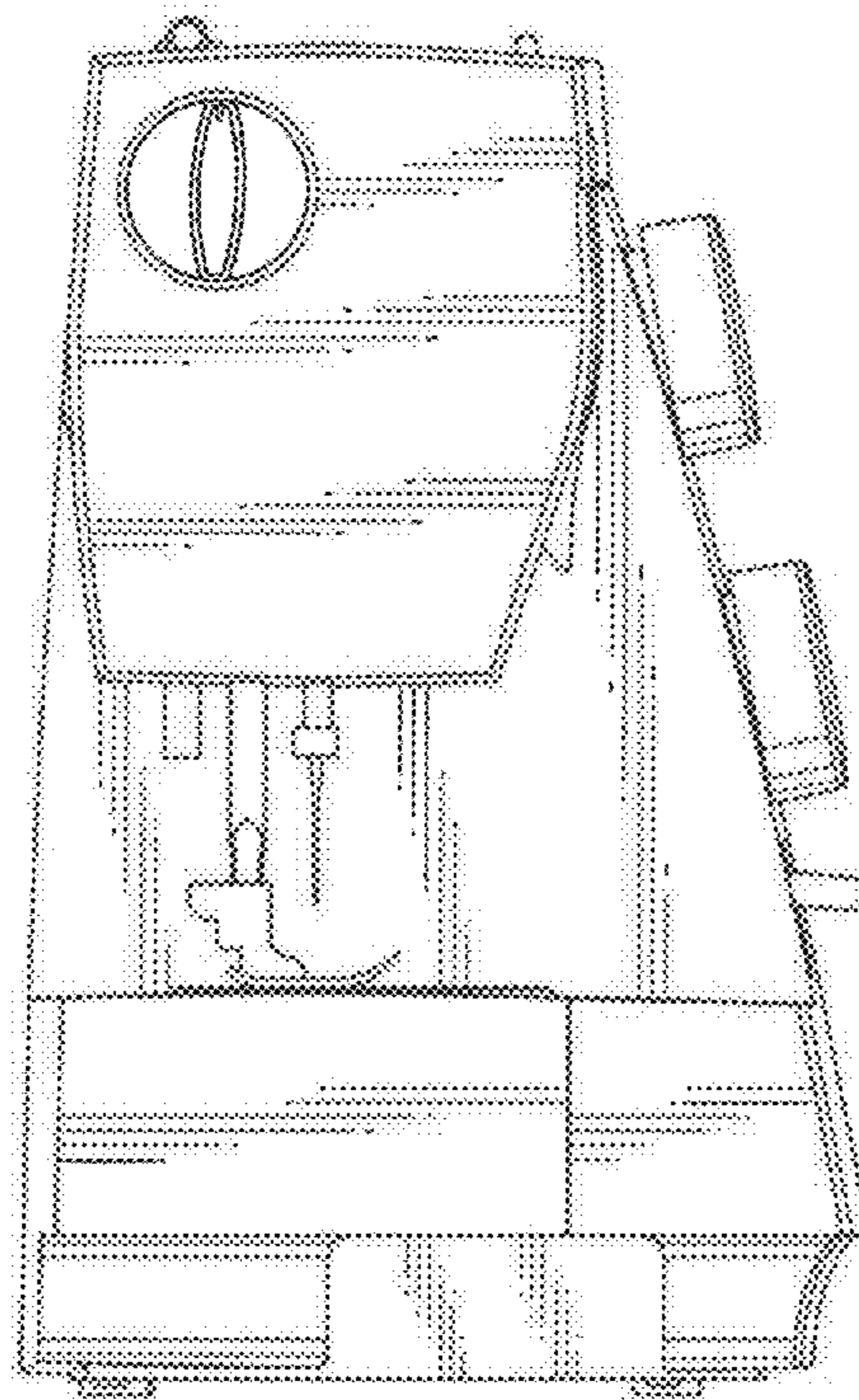
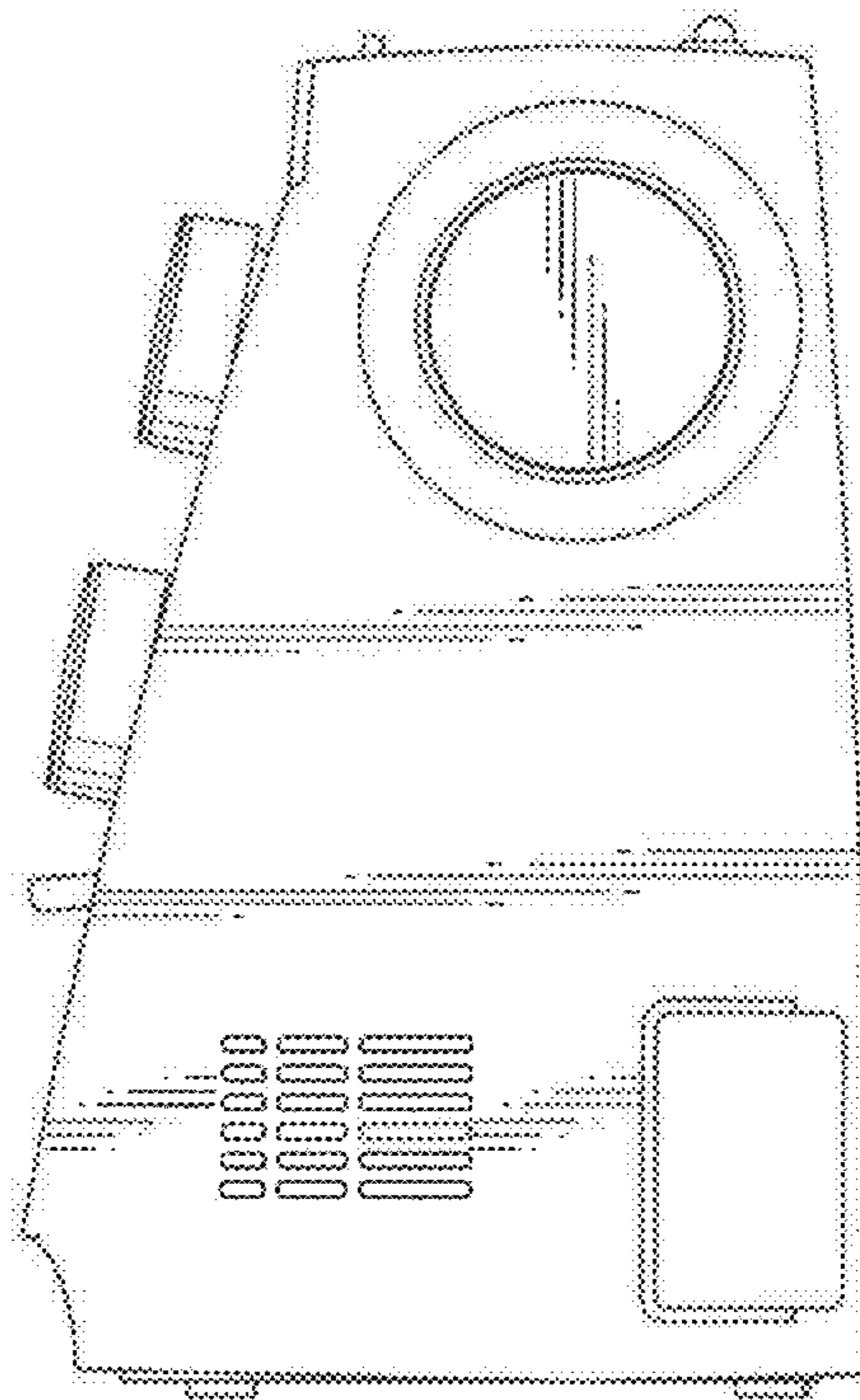


Fig. 4



F i g . 5

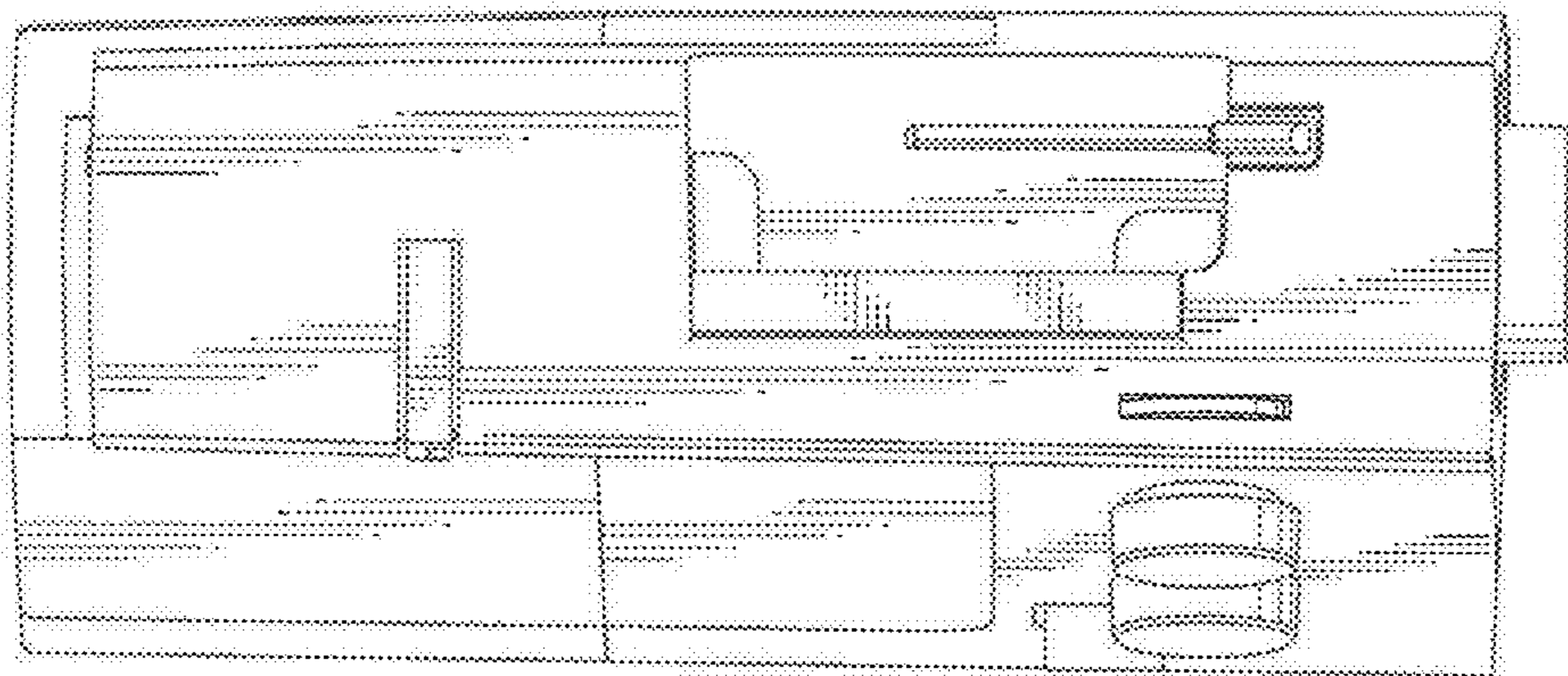
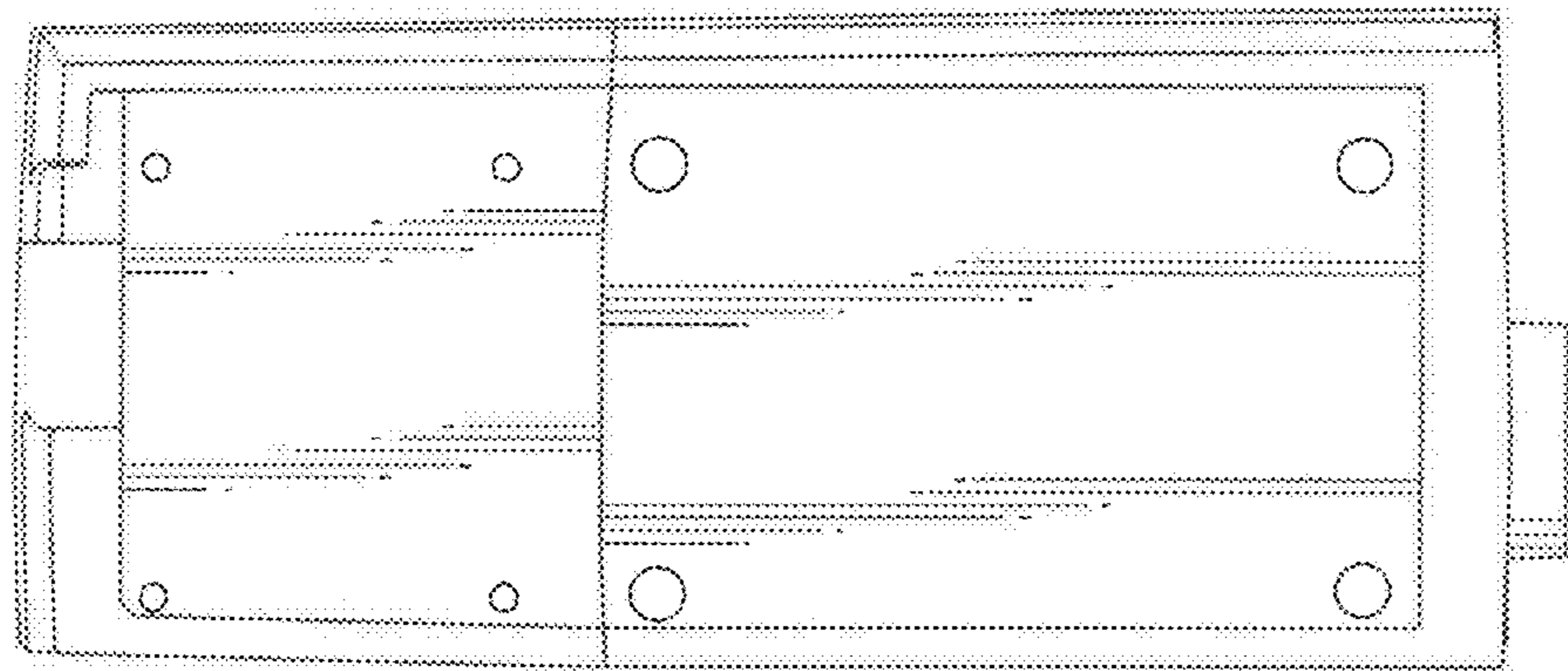


Fig. 6



F i g . 7

