



US00D844031S

(12) **United States Design Patent**
Izaki

(10) **Patent No.:** **US D844,031 S**

(45) **Date of Patent:** **** Mar. 26, 2019**

(54) **SEWING MACHINE**

(71) Applicant: **JANOME SEWING MACHINE Co., Ltd.**, Hachioji-shi, Tokyo (JP)

(72) Inventor: **Akihiro Izaki**, Hachioji (JP)

(73) Assignee: **JANOME SEWING MACHINE CO., LTD.**, Hachioji-Shi, Tokyo (JP)

(**) Term: **15 Years**

(21) Appl. No.: **29/622,682**

(22) Filed: **Oct. 18, 2017**

(30) **Foreign Application Priority Data**

Apr. 27, 2017 (JP) 2017-009307

(51) **LOC (11) Cl.** **15-06**

(52) **U.S. Cl.**
USPC **D15/69**

(58) **Field of Classification Search**
USPC D15/66-78
CPC D05B 1/00-25/00
See application file for complete search history.

(56) **References Cited**

U.S. PATENT DOCUMENTS

D332,102 S * 12/1992 Kato D15/69
6,016,758 A * 1/2000 Tomita D05B 19/04
112/102.5

D434,781 S * 12/2000 Kawaguchi D15/69
D450,722 S * 11/2001 Kawaguchi D15/69
D474,208 S * 5/2003 Kawaguchi D15/69
D483,774 S * 12/2003 Kuroki D15/69
D506,212 S * 6/2005 Kuroki D15/69
D515,107 S * 2/2006 Kawaguchi D15/69
D515,108 S * 2/2006 Kawaguchi D15/69
D517,571 S * 3/2006 Kuroki D15/69
D520,528 S * 5/2006 Kuroki D15/69
D628,606 S * 12/2010 Kanai D15/70

* cited by examiner

Primary Examiner — Mitchell I. Siegel

(74) *Attorney, Agent, or Firm* — McGinn IP Law Group, PLLC.

(57) **CLAIM**

The ornamental design for sewing machine, as shown and described.

DESCRIPTION

FIG. 1 is a front elevational view of a sewing machine showing my new design;
FIG. 2 is a rear elevational view thereof;
FIG. 3 is a left-side elevational view thereof;
FIG. 4 is a right-side elevational view thereof;
FIG. 5 is a top plan view thereof;
FIG. 6 is a bottom plan view thereof;
FIG. 7 is a front perspective view of a sewing machine showing thereof; and,
FIG. 8 is a front perspective view of a sewing machine showing thereof.

1 Claim, 8 Drawing Sheets

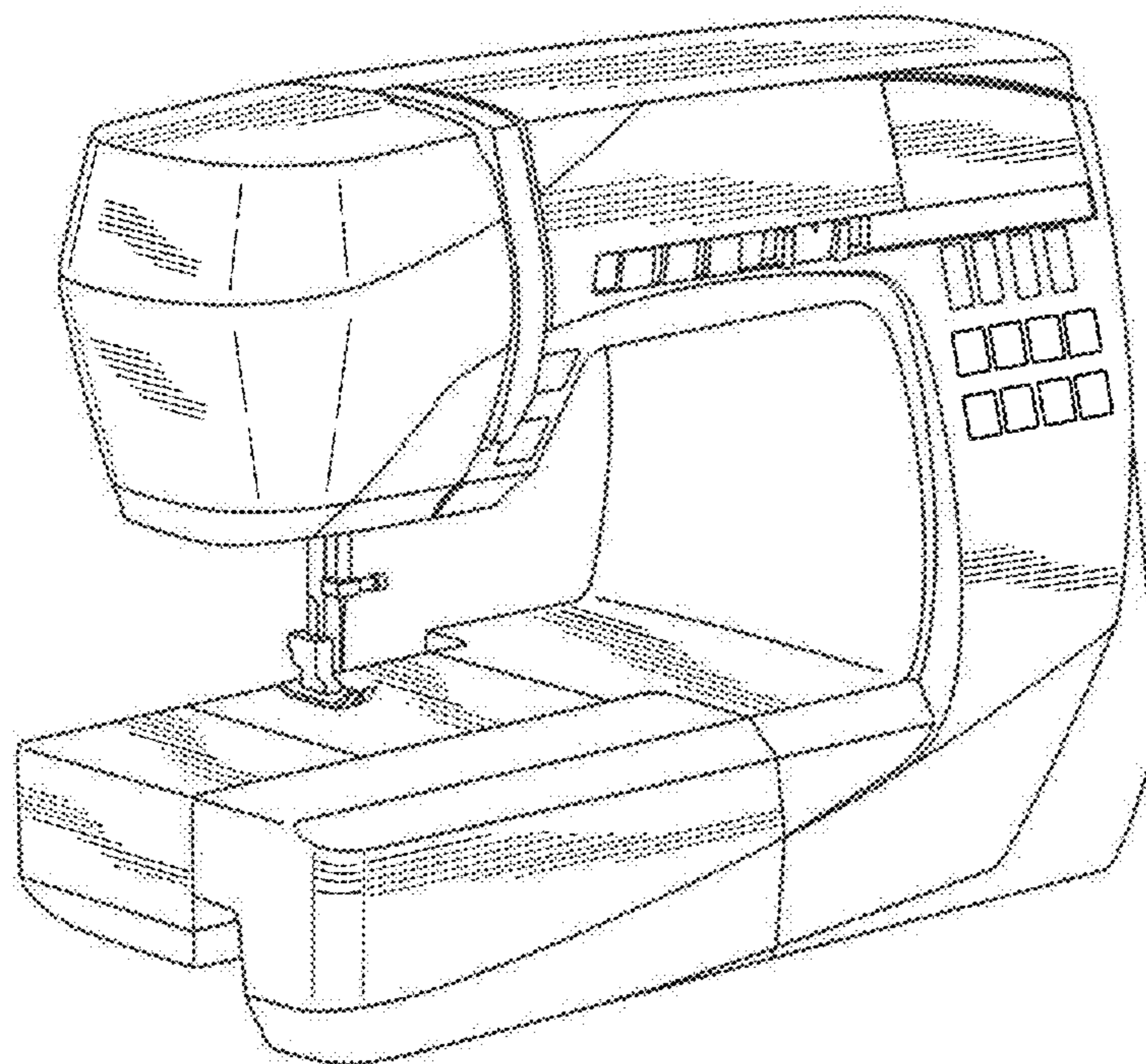


Fig. 1

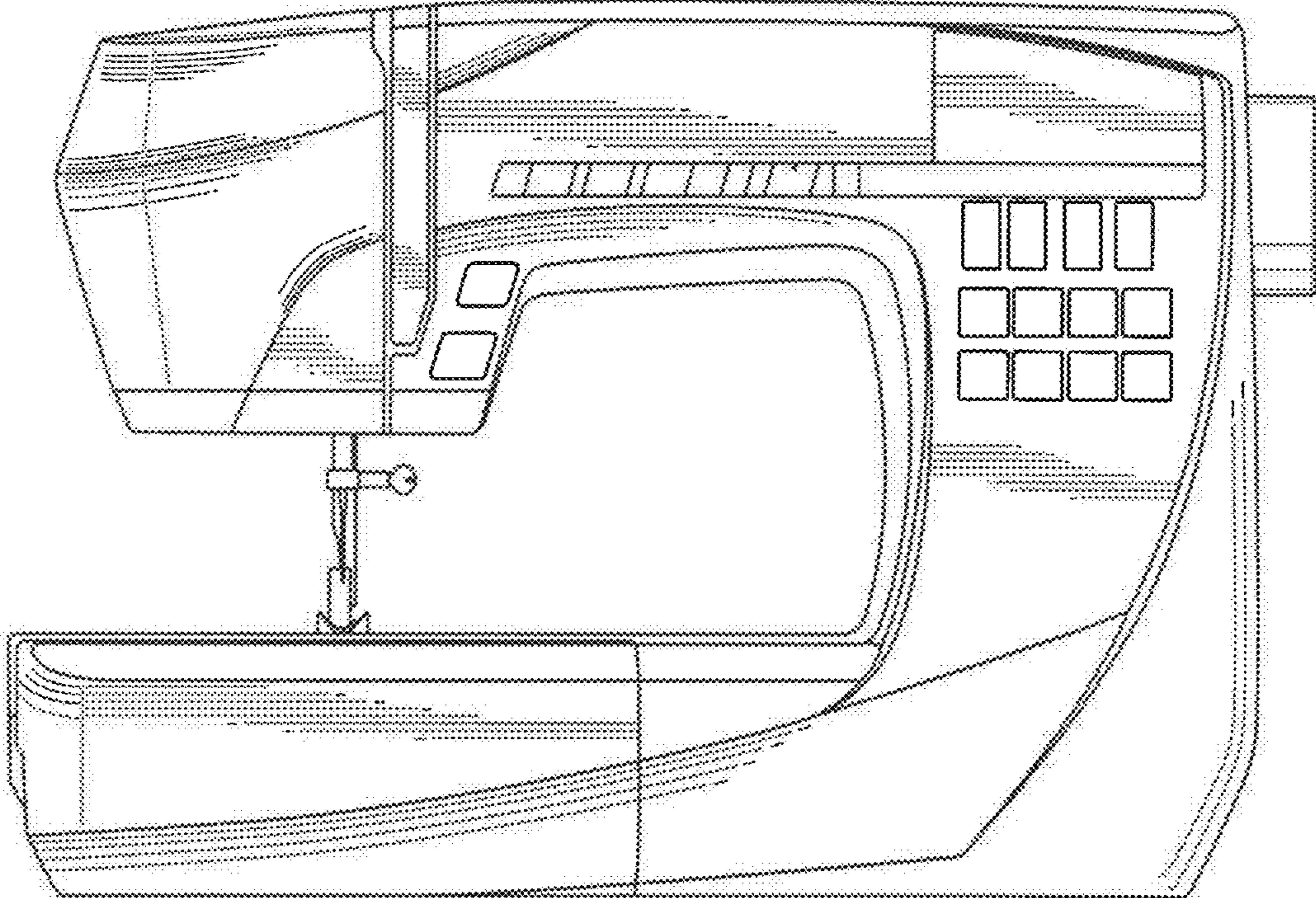


Fig. 2

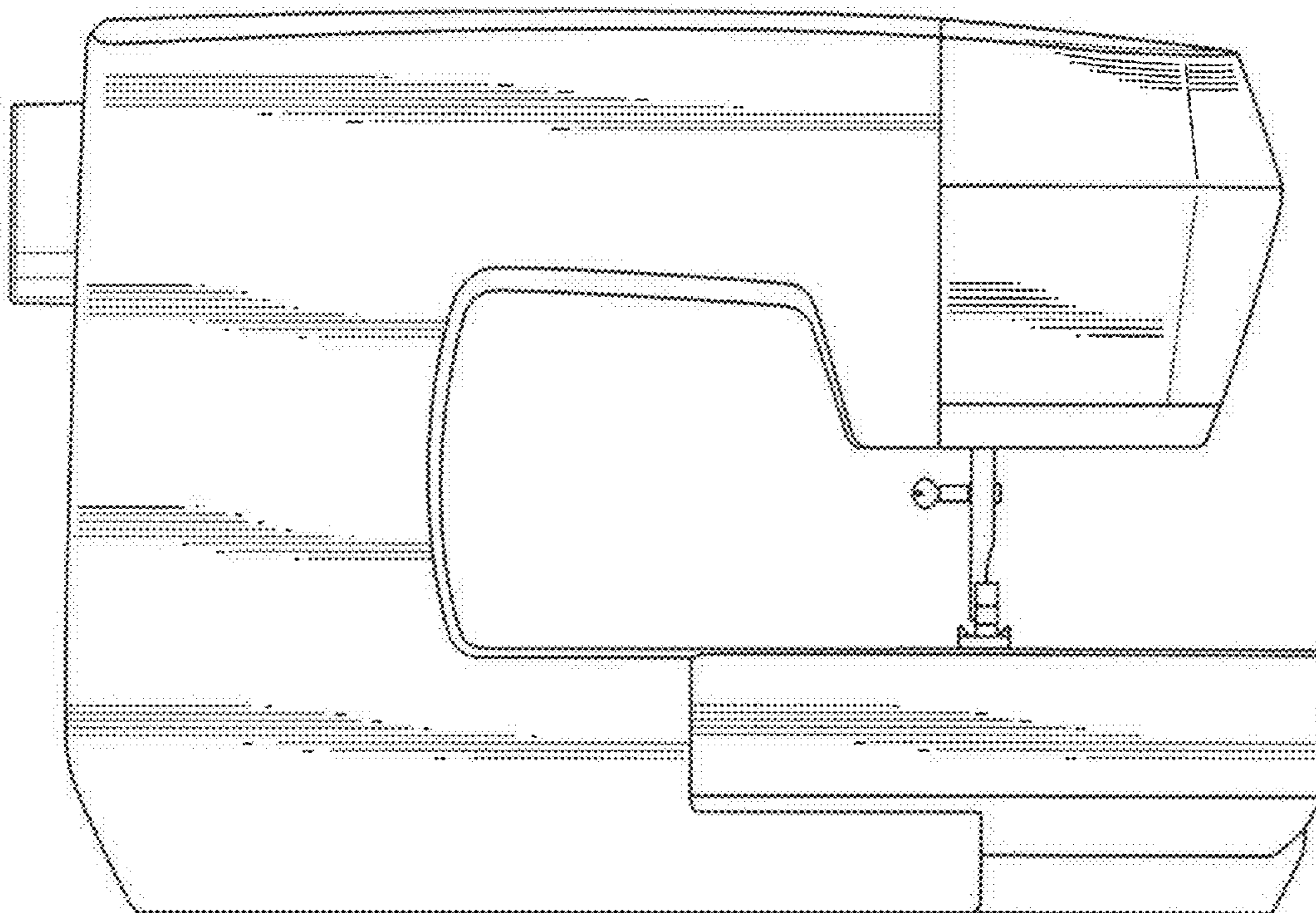


Fig. 3

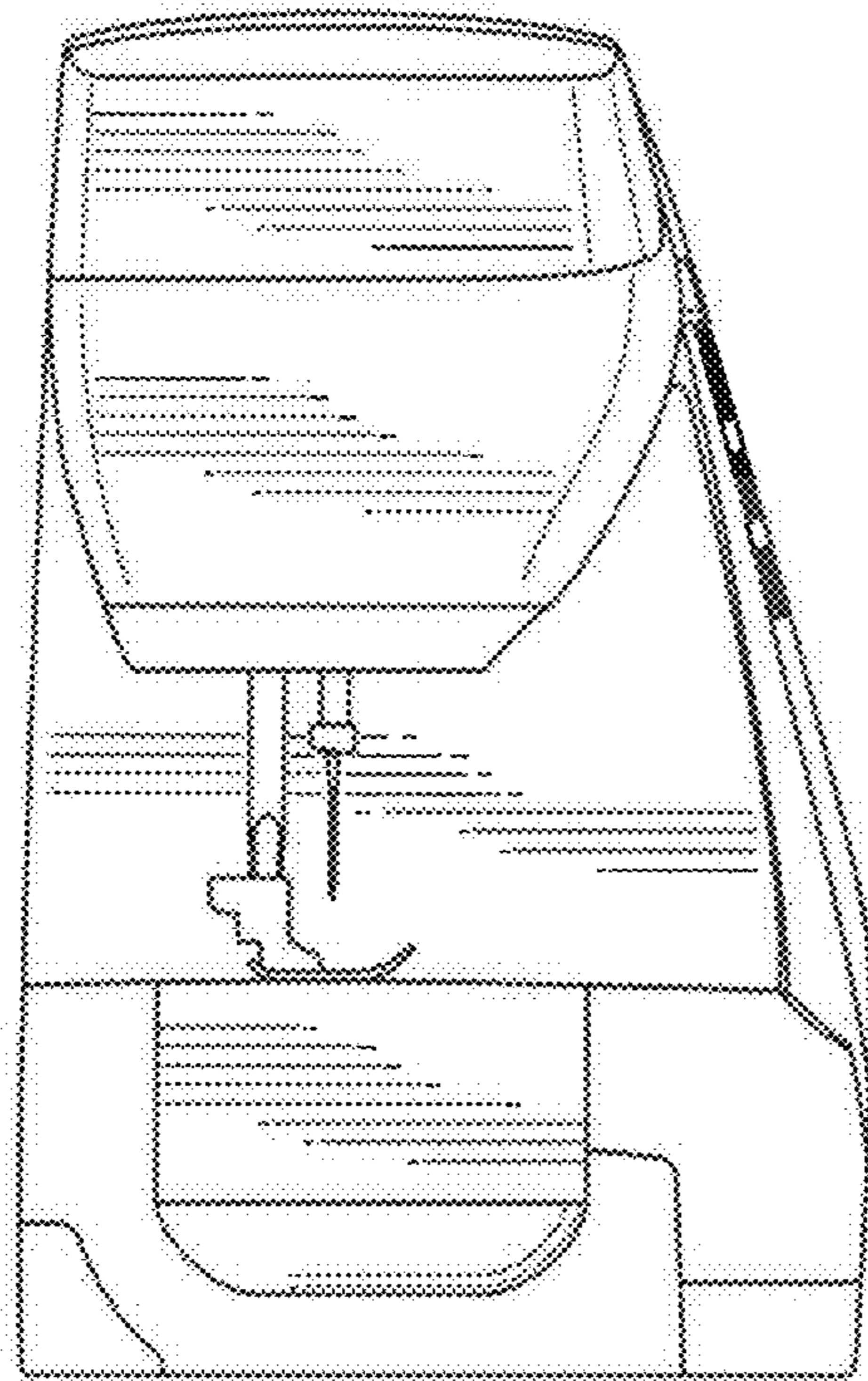


Fig. 4

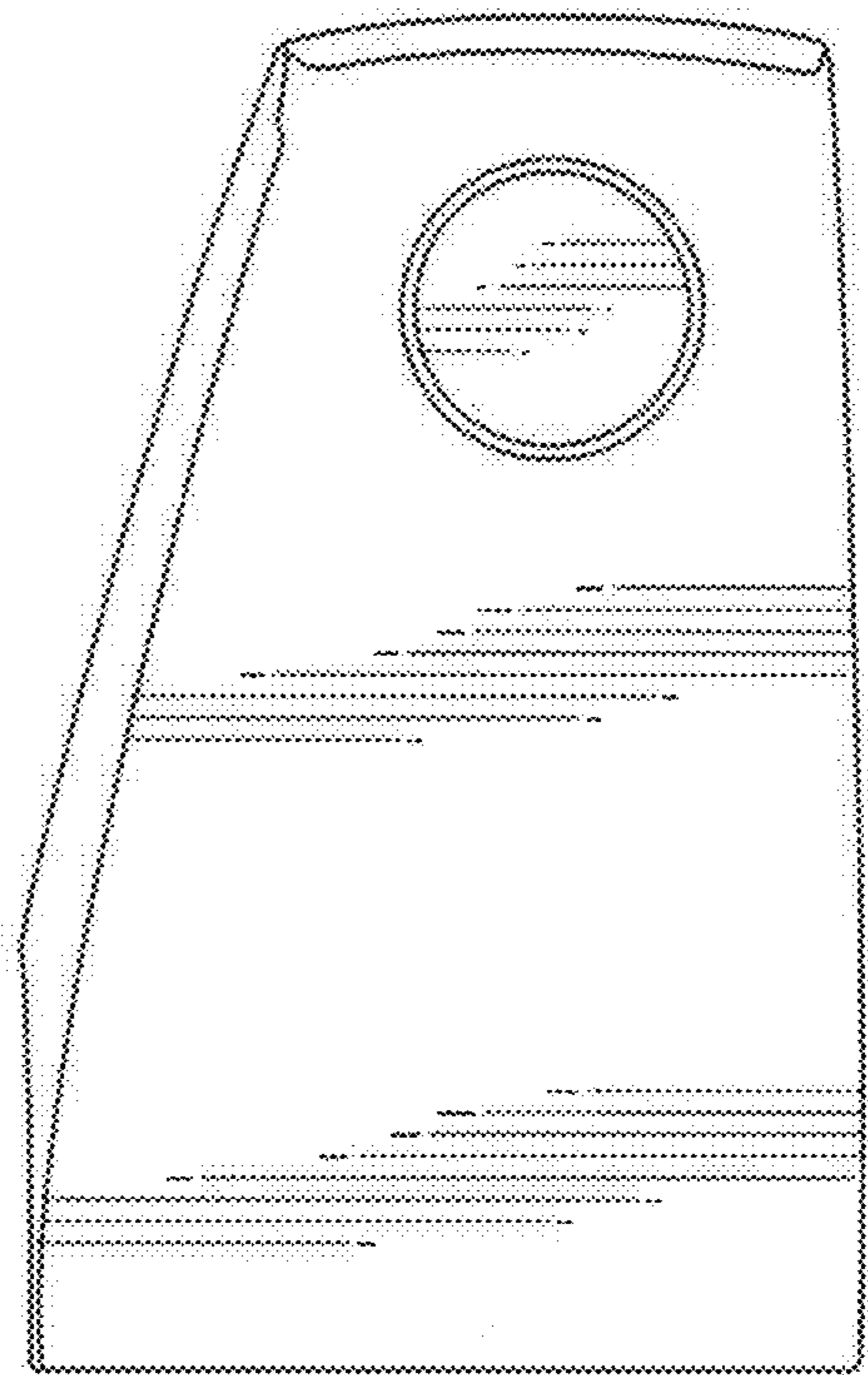
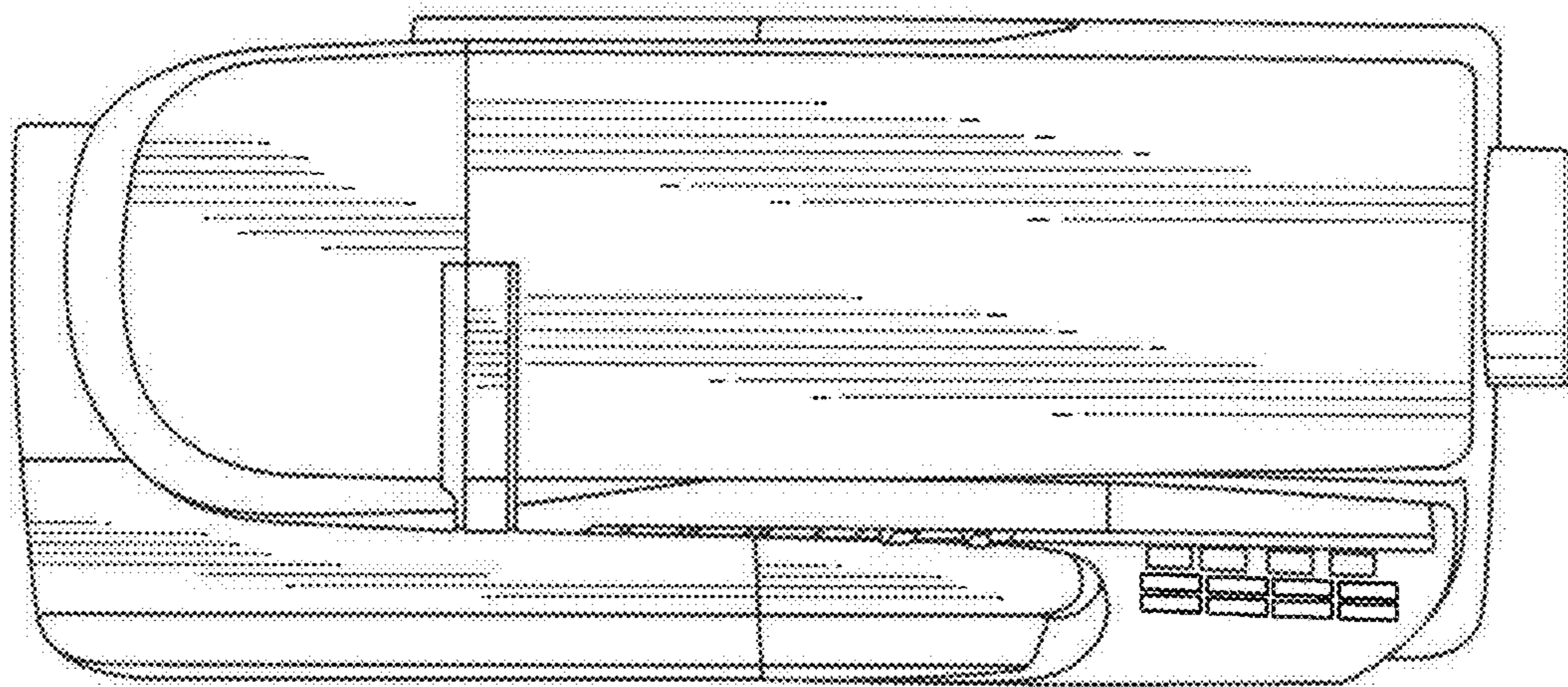


Fig. 5



F i g . 6

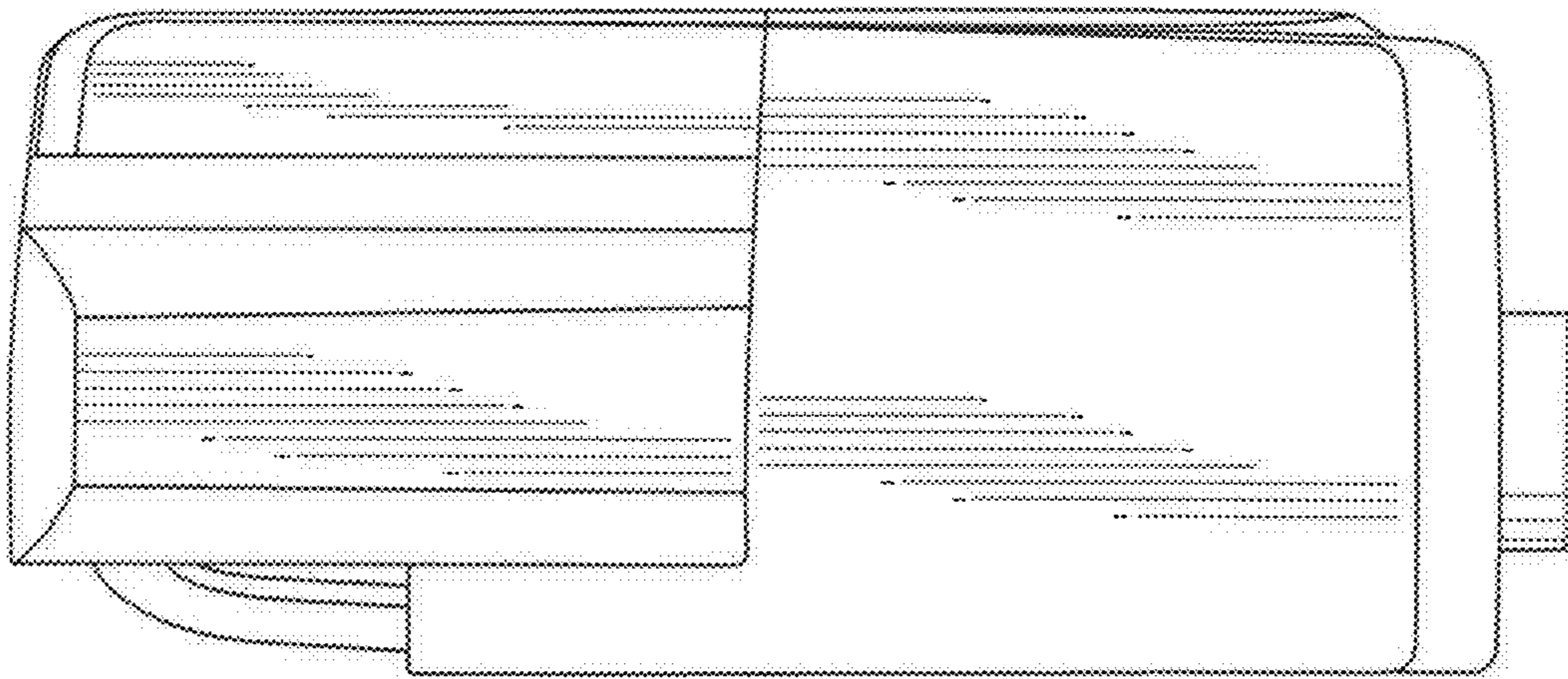


Fig. 7

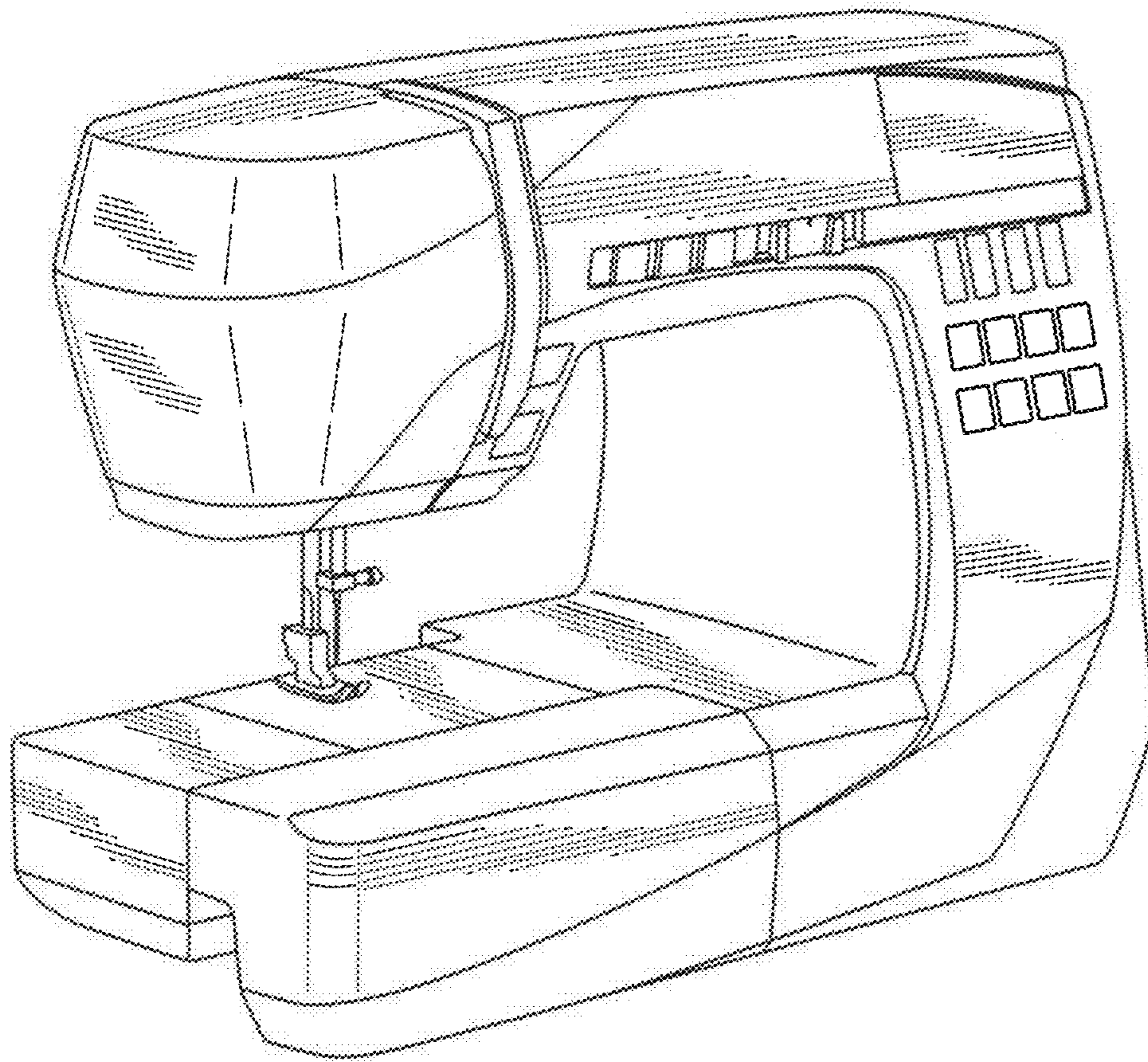


Fig. 8

