



US00D844030S

(12) **United States Design Patent** (10) **Patent No.:** **US D844,030 S**
You (45) **Date of Patent:** **** Mar. 26, 2019**

(54) **KARAOKE DEVICE**
(71) Applicant: **Shenzhen Teana Technology Co., Ltd.**,
Shenzhen (CN)
(72) Inventor: **Guangguo You**, Shenzhen (CN)
(73) Assignee: **Shenzhen Teana Technology Co., Ltd.**,
Shenzhen (CN)
(**) Term: **15 Years**
(21) Appl. No.: **29/615,387**
(22) Filed: **Aug. 29, 2017**
(51) **LOC (11) Cl.** **14-03**
(52) **U.S. Cl.**
USPC **D14/497**
(58) **Field of Classification Search**
USPC D14/125, 137, 140–140.9, 155, 159, 167,
D14/168, 172, 188, 194, 203.1, 204,
D14/209.1, 216, 217, 221, 225–229, 240,
D14/242, 299, 348, 349, 356–358, 432,
D14/433, 474, 496, 497; D10/104.1,
D10/106.1–106.9; D13/108, 110, 123,
D13/158, 177, 199; D21/333, 483, 513
CPC H04L 12/00; H03K 17/00; H04W 88/00;
H04W 88/04; H04B 1/38; G10H 1/361;
H04R 5/00; H04R 1/02; H04R 1/04;
H04R 1/08
See application file for complete search history.

(56) **References Cited**
U.S. PATENT DOCUMENTS
D470,848 S * 2/2003 Morooka D14/433
D538,222 S * 3/2007 Curello D13/103
D583,806 S * 12/2008 Okazaki D14/225
D593,066 S * 5/2009 Sheba D14/203.1
D606,549 S * 12/2009 He D14/480.7
D630,640 S * 1/2011 Kuo D14/480.5
D641,753 S * 7/2011 Obata D14/356
D721,646 S * 1/2015 Kim D13/103
D733,051 S * 6/2015 Wang D13/103

D746,261 S * 12/2015 Silvera D14/207
D749,640 S * 2/2016 Wang D14/496
D762,188 S * 7/2016 Cho D14/188
D785,046 S * 4/2017 Tang D14/203.3
D810,043 S * 2/2018 Suzuki D14/188
D819,024 S * 5/2018 Jun D14/363

OTHER PUBLICATIONS

Reacher Portable Karaoke Machine, amazon canada online, date first available Jan. 24, 2017, <URL: <https://www.amazon.ca/Reacher-Portable-Bluetooth-Microphone-Smartphone/dp/B01NAN8AND>>, retrieved Jul. 9, 2018.*
Mytree Mini Wireless Karaoke Portable Waterproof Speaker, alibaba online, no post date, <URL: https://www.alibaba.com/product-detail/Mytree-Latest-New-Design-Mini-Wireless_60721977239.html?spm=a2700.7724857.main07.88.a3404141RsoAH8>, retrieved Jul. 9, 2018.*

* cited by examiner

Primary Examiner — Jeffrey D Asch
Assistant Examiner — Rebekah A Caruso
(74) *Attorney, Agent, or Firm* — Sheridan Ross P.C.

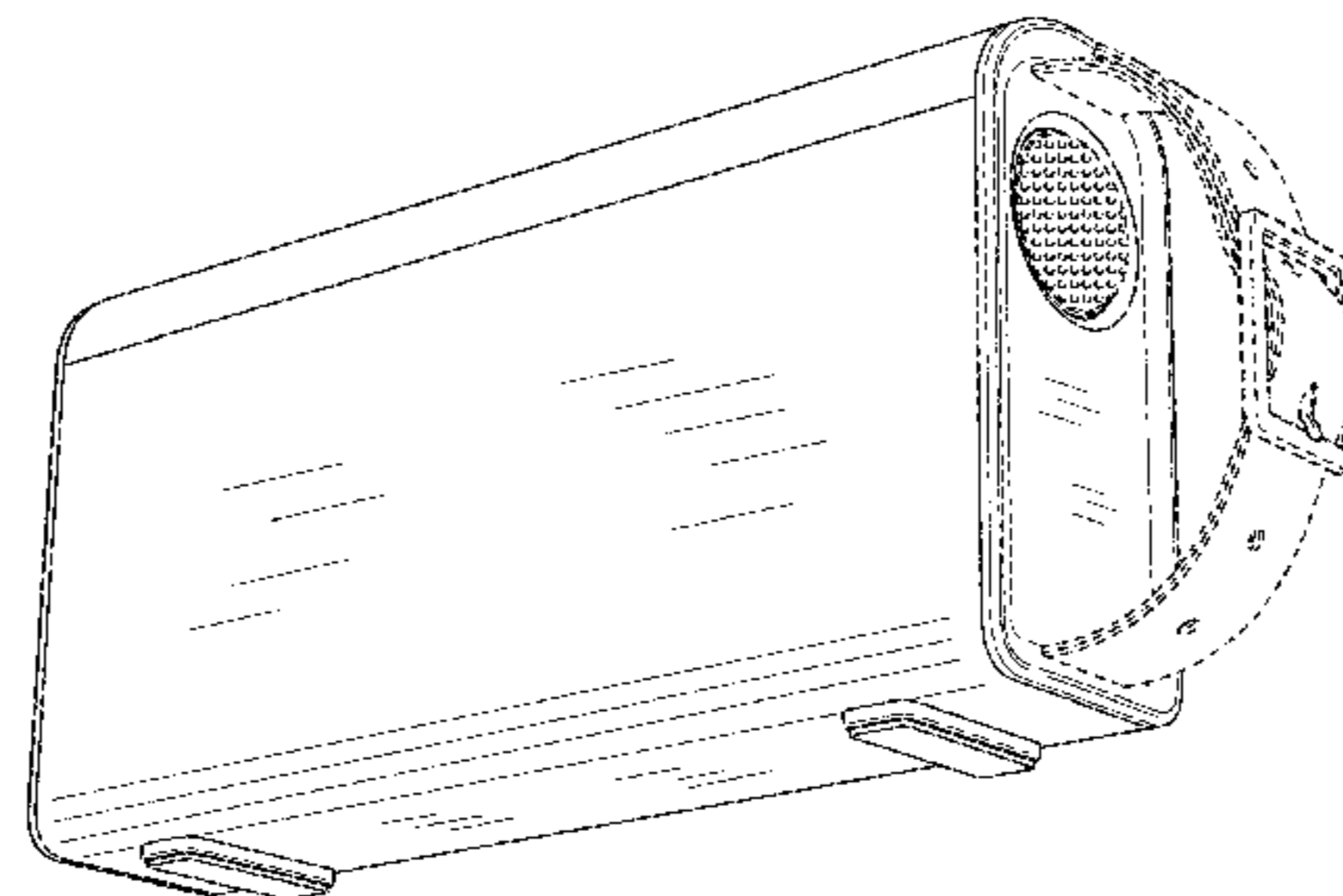
(57) **CLAIM**

The ornamental design for a karaoke device, as shown and described.

DESCRIPTION

FIG. 1 is a top perspective view of a karaoke device showing my new design;
FIG. 2 is a bottom perspective view thereof;
FIG. 3 is a left side elevational view thereof;
FIG. 4 is a right side elevational view thereof;
FIG. 5 is a front elevational view thereof;
FIG. 6 is a rear elevational view thereof;
FIG. 7 is a top plan view thereof; and,
FIG. 8 is a bottom plan view thereof.
The broken lines show portions of the karaoke device which form no part of the claimed design.

1 Claim, 7 Drawing Sheets



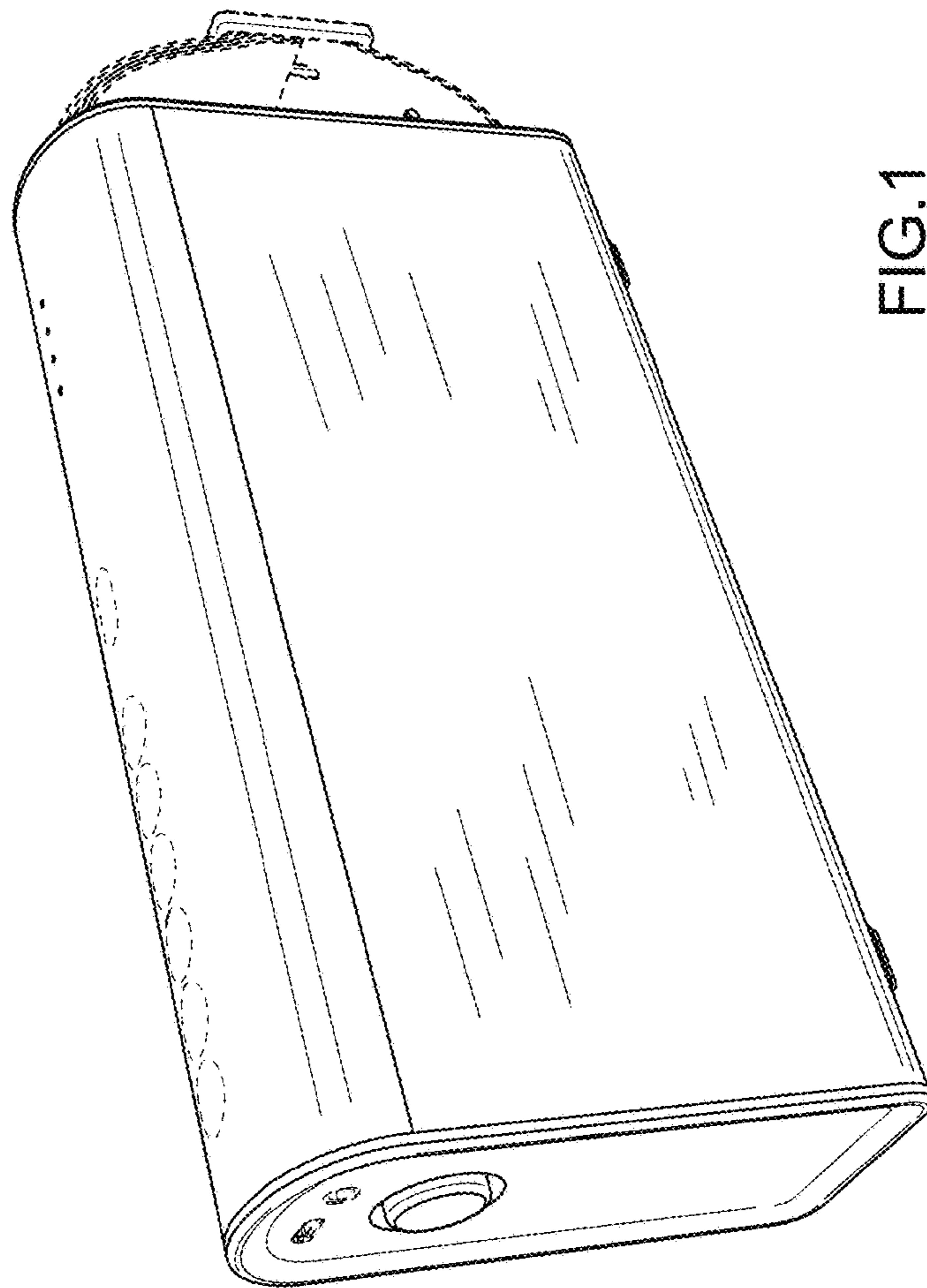


FIG.1

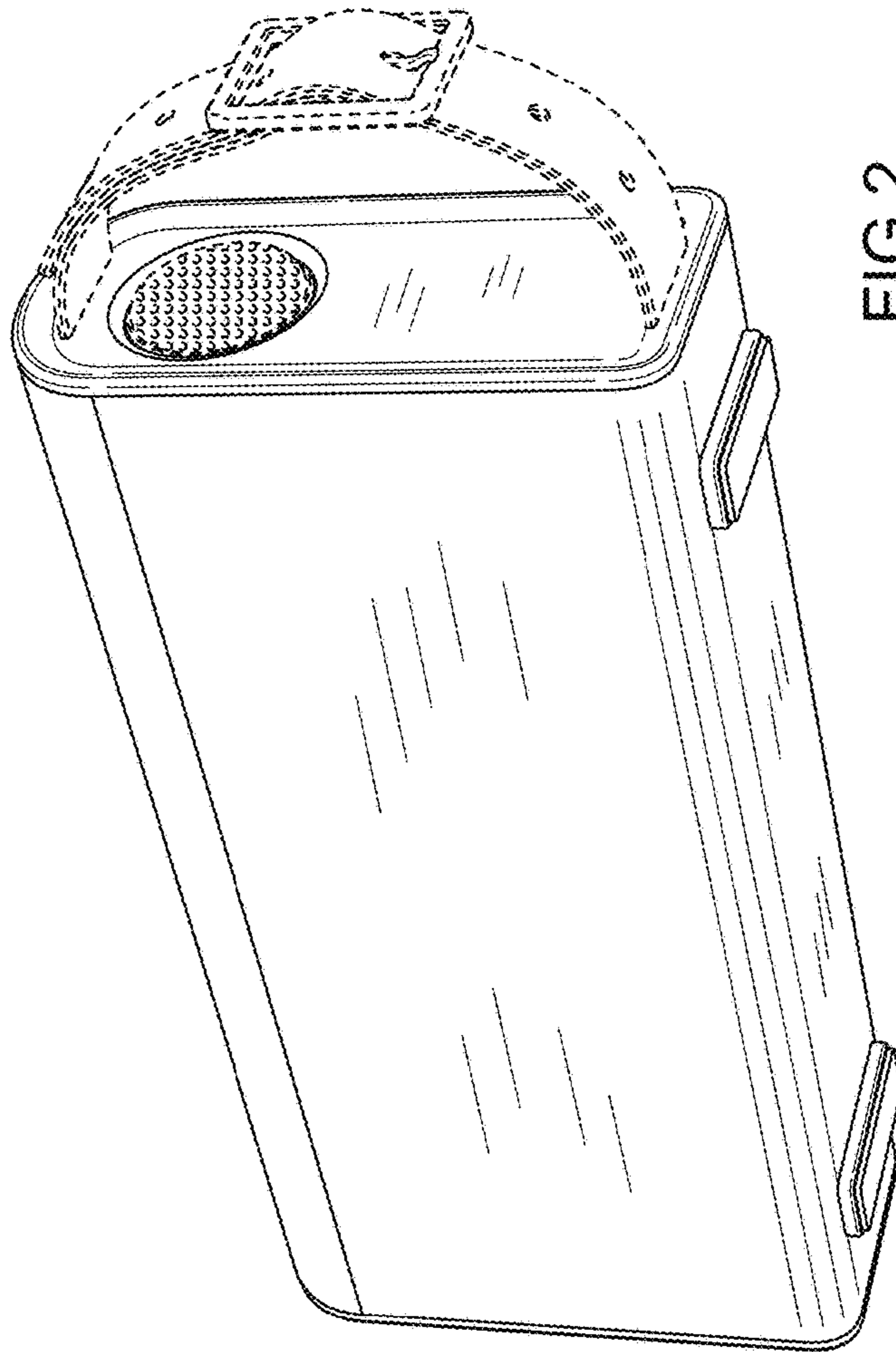


FIG.2

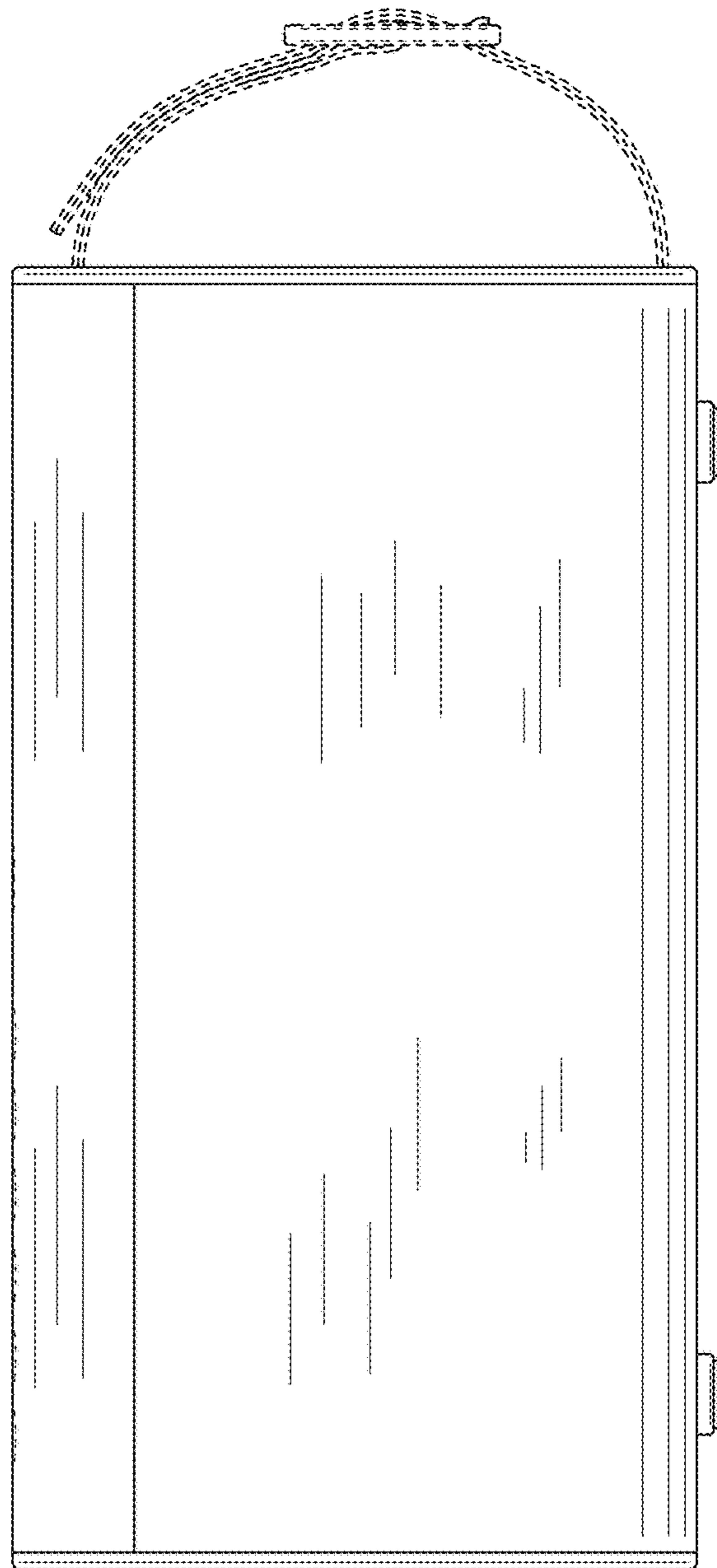


FIG.3

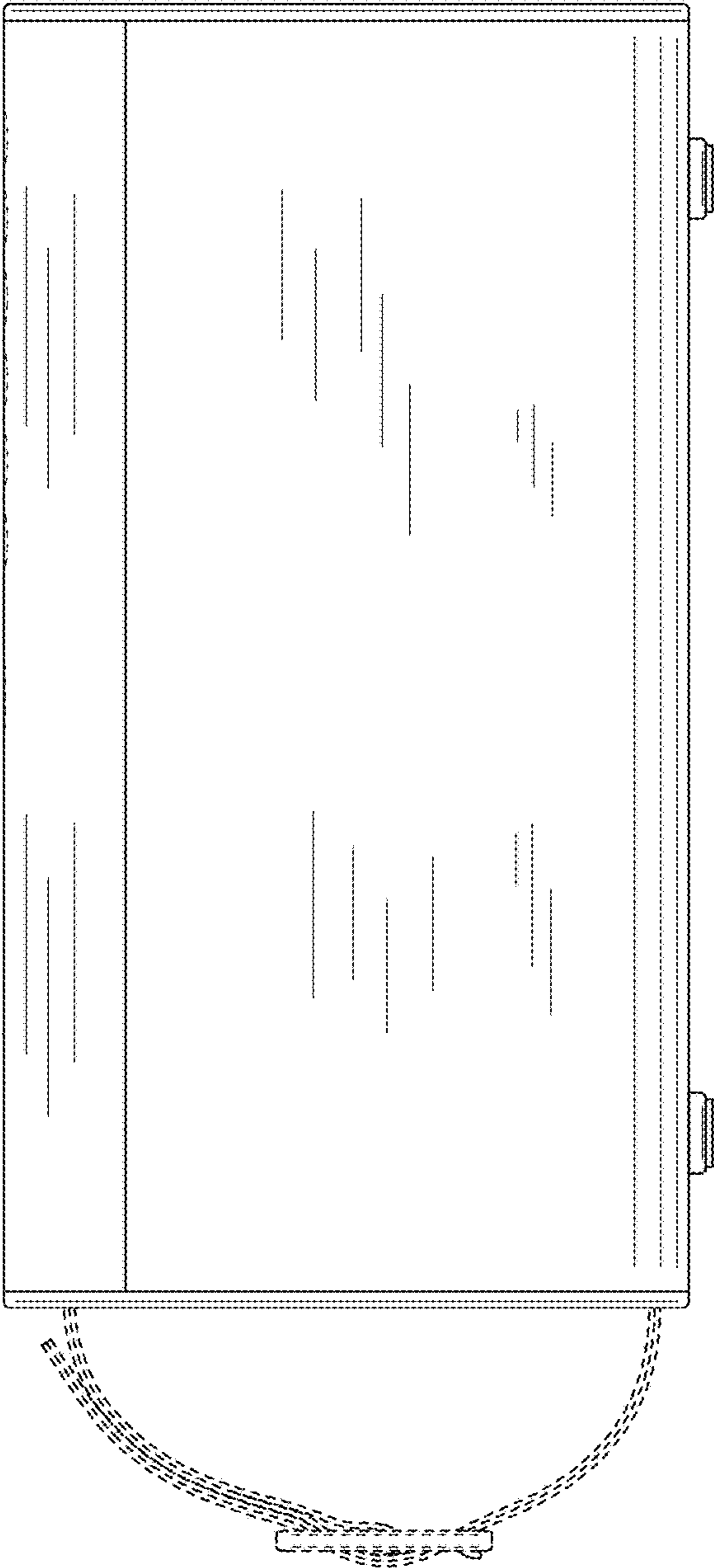


FIG. 4

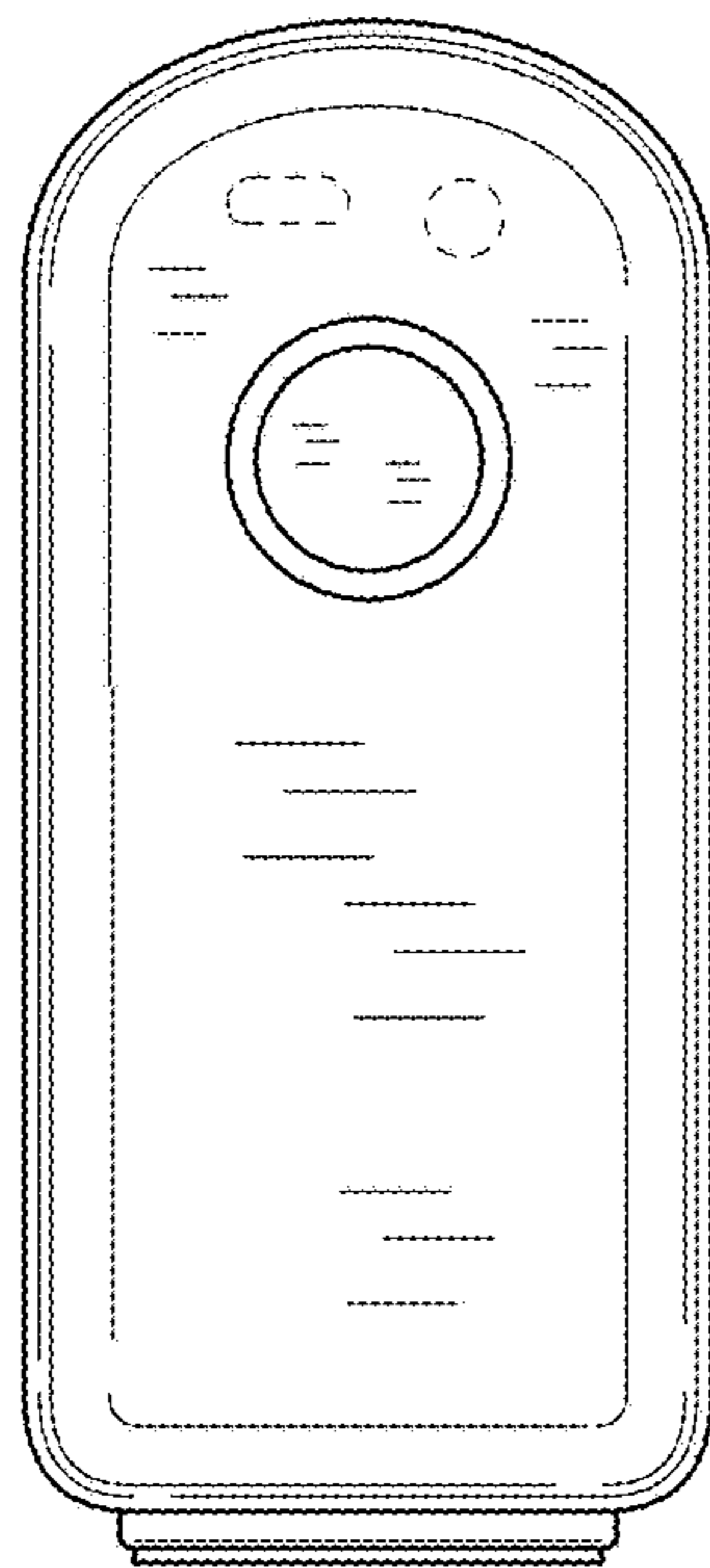


FIG.6

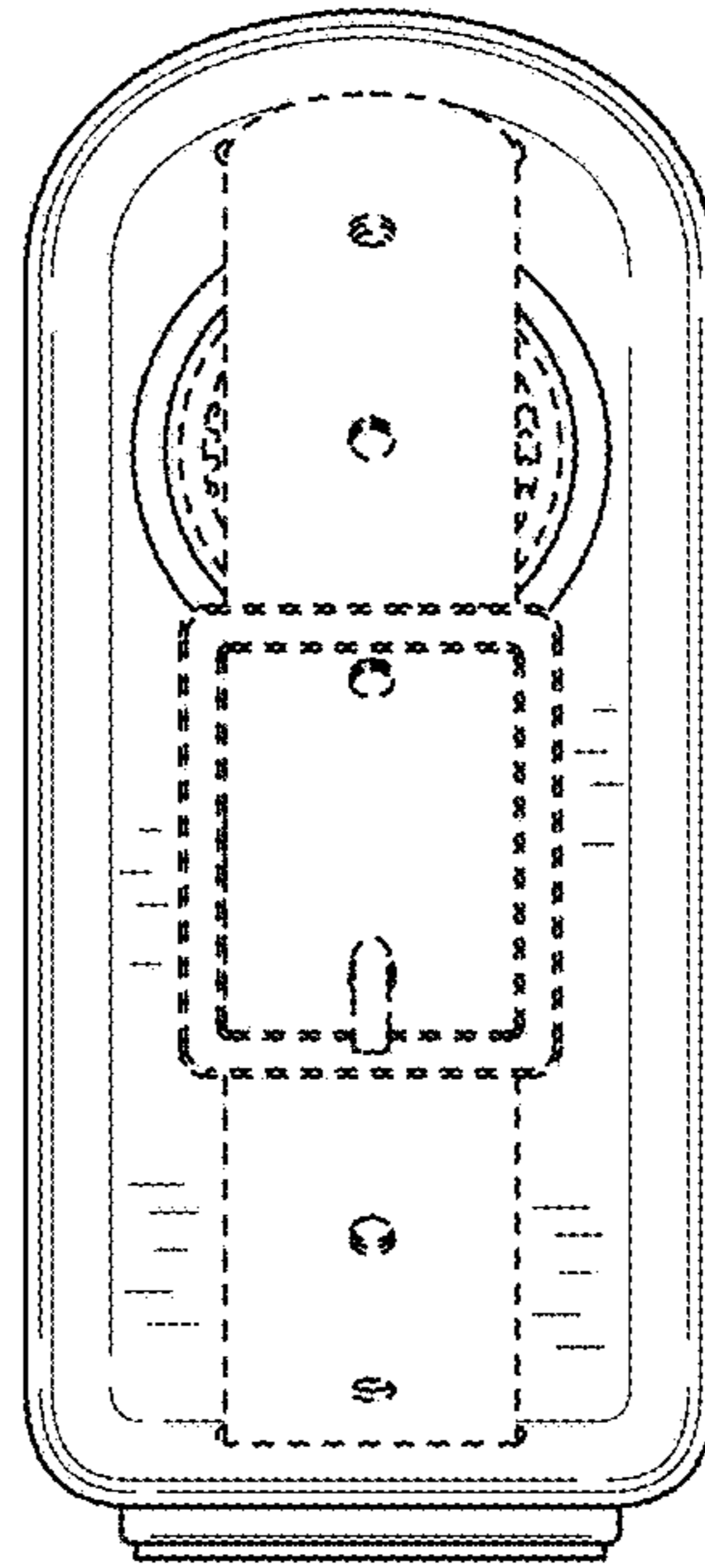


FIG.5

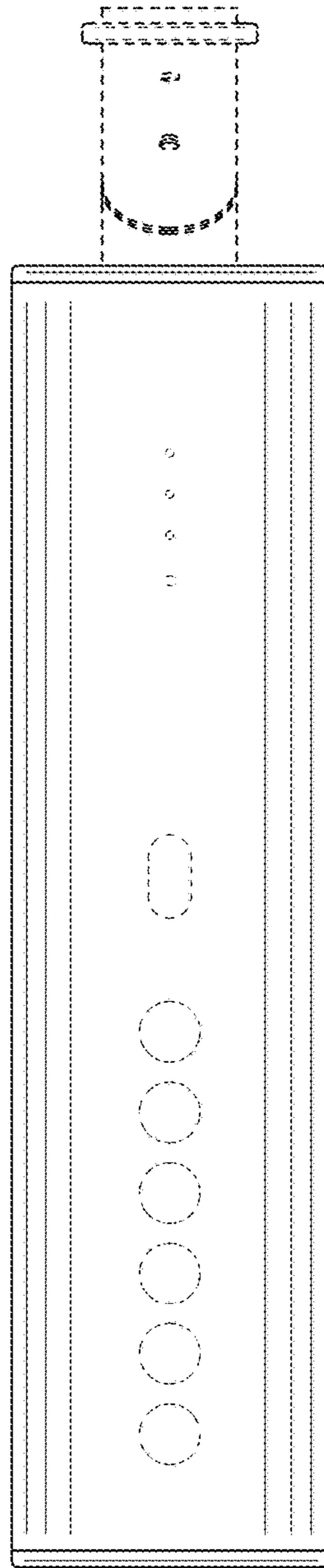


FIG.7

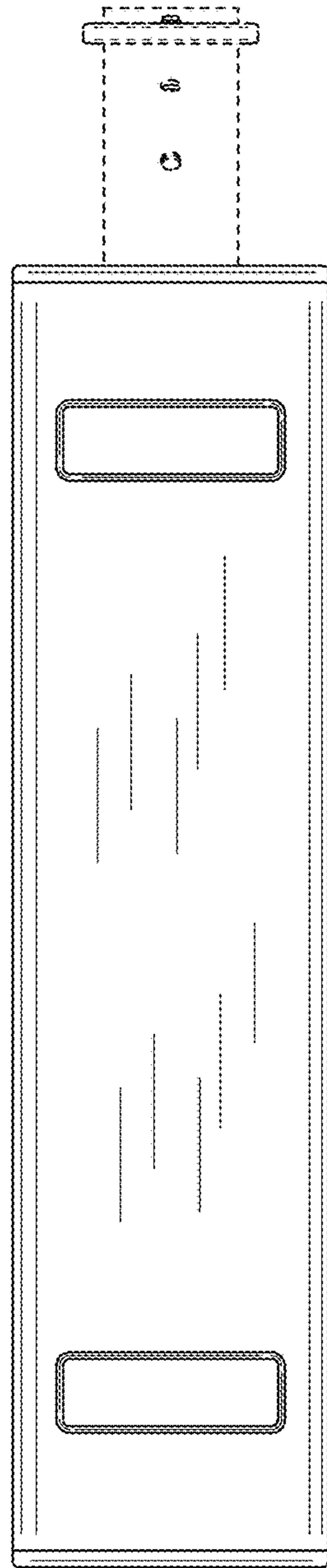


FIG.8