



US00D844012S

(12) **United States Design Patent**
Leipold

(10) **Patent No.:** **US D844,012 S**

(45) **Date of Patent:** **** Mar. 26, 2019**

(54) **MAGNETIC PRIVACY SCREEN**

(71) Applicant: **Stefan Leipold**, Mount Vernon, NY
(US)

(72) Inventor: **Stefan Leipold**, Mount Vernon, NY
(US)

(73) Assignee: **Stefan Leipold**, Mount Vernon, NY
(US)

(**) Term: **15 Years**

(21) Appl. No.: **29/621,543**

(22) Filed: **Oct. 9, 2017**

Related U.S. Application Data

(63) Continuation of application No. 15/640,161, filed on Jun. 30, 2017, now Pat. No. 9,829,699, which is a continuation of application No. PCT/US2017/017269, filed on Feb. 9, 2017.

(51) **LOC (11) Cl.** **14-02**

(52) **U.S. Cl.**
USPC **D14/450**

(58) **Field of Classification Search**
USPC D14/371-382, 125-129, 335-337, D14/447-452, 492, 239, 457, 439-441, D14/432, 251-253; D8/349, 354, 363, D8/367, 373, 376, 380; D21/333; D12/415; D3/218; 348/180, 184, 325, 348/739, 825; 248/323, 278.1, 286.1; D6/660, 661, 671, 672, 675, 675.1-675.3, D6/682, 677.1, 678.1, 678.2, 681.2; 359/601, 609
CPC G06F 3/0412; G06F 3/016; G06F 3/0488; G06F 3/011; G06F 3/038; G06F 3/03543; G06F 3/0338; G06F 3/0202; G06F 3/0219; G06F 3/0213; G06F 1/1616; G06F 3/023; G06F 3/04883; G02F 1/13338; G02F 1/1313; G02F 1/1333; G02F 1/135; G02F 1/132; G02F

1/133308; G02F 1/134309; G02F 1/13718; G09G 3/3648; G06K 15/1252; B41J 2/465; G03F 7/70291; G02B 27/0172; G02B 5/30; G02B 2027/0118; G02B 27/0101; F16M 13/02; F16M 13/00; F16M 11/10; F16M 11/04; F16M 2200/08; F16M 11/2021; A47B 21/0314; A47B 88/044; A47B 2021/0335; H02G 3/126; F16B 47/00; F16B 47/006; A47G 1/17; A47K 2201/00

See application file for complete search history.

(56) **References Cited**

U.S. PATENT DOCUMENTS

D645,465 S *	9/2011	Lin	D14/341
D664,955 S *	8/2012	Kim	D14/341
D667,413 S *	9/2012	Song	D14/448
D715,301 S *	10/2014	Ashcraft	D14/439
D732,020 S *	6/2015	Seoc	D14/341
D760,718 S *	7/2016	Wallace	D14/374
D768,619 S *	10/2016	Akana	D14/315

(Continued)

Primary Examiner — Katie Jane Stofko

(74) *Attorney, Agent, or Firm* — Baker McKenzie LLP

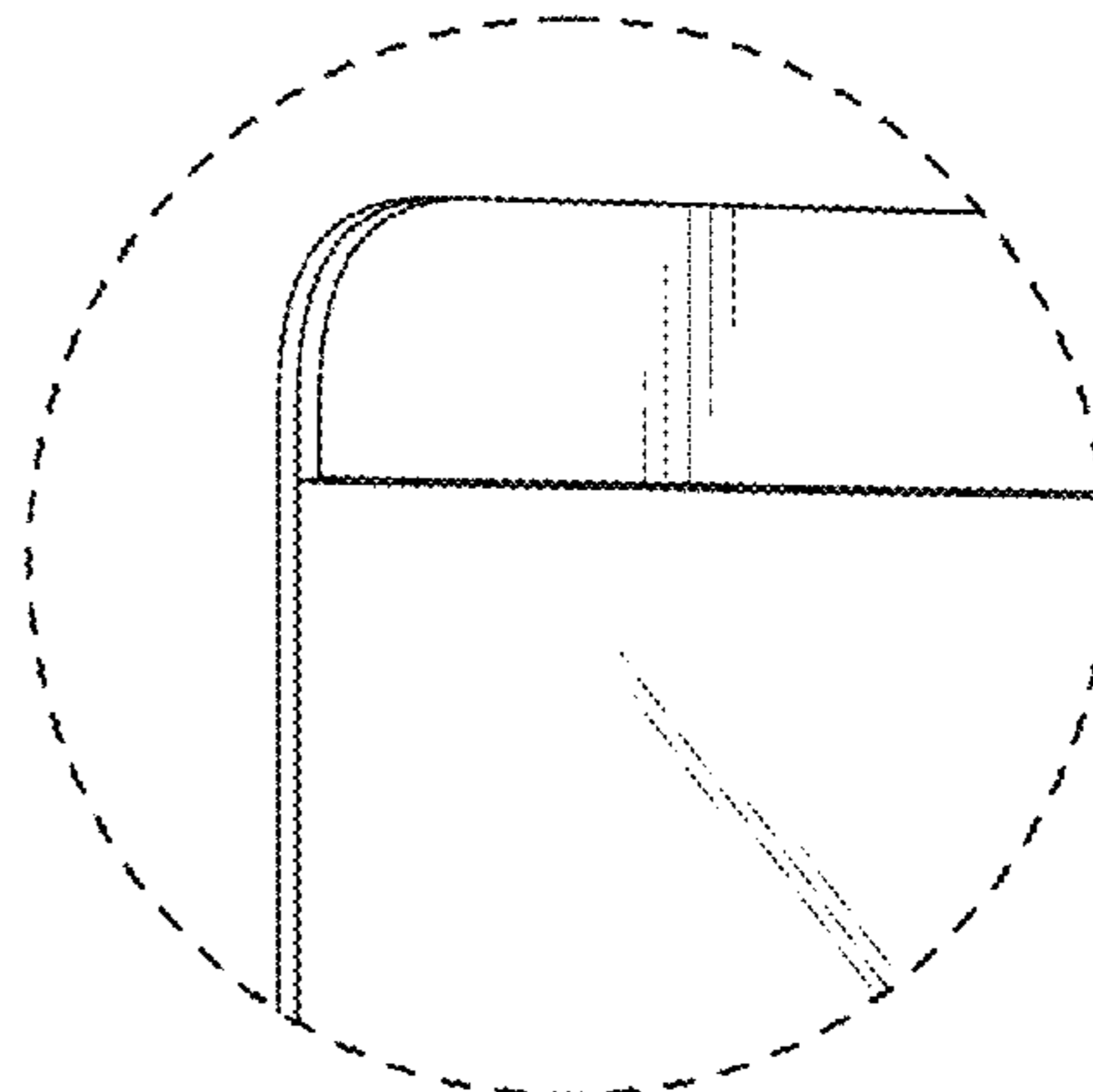
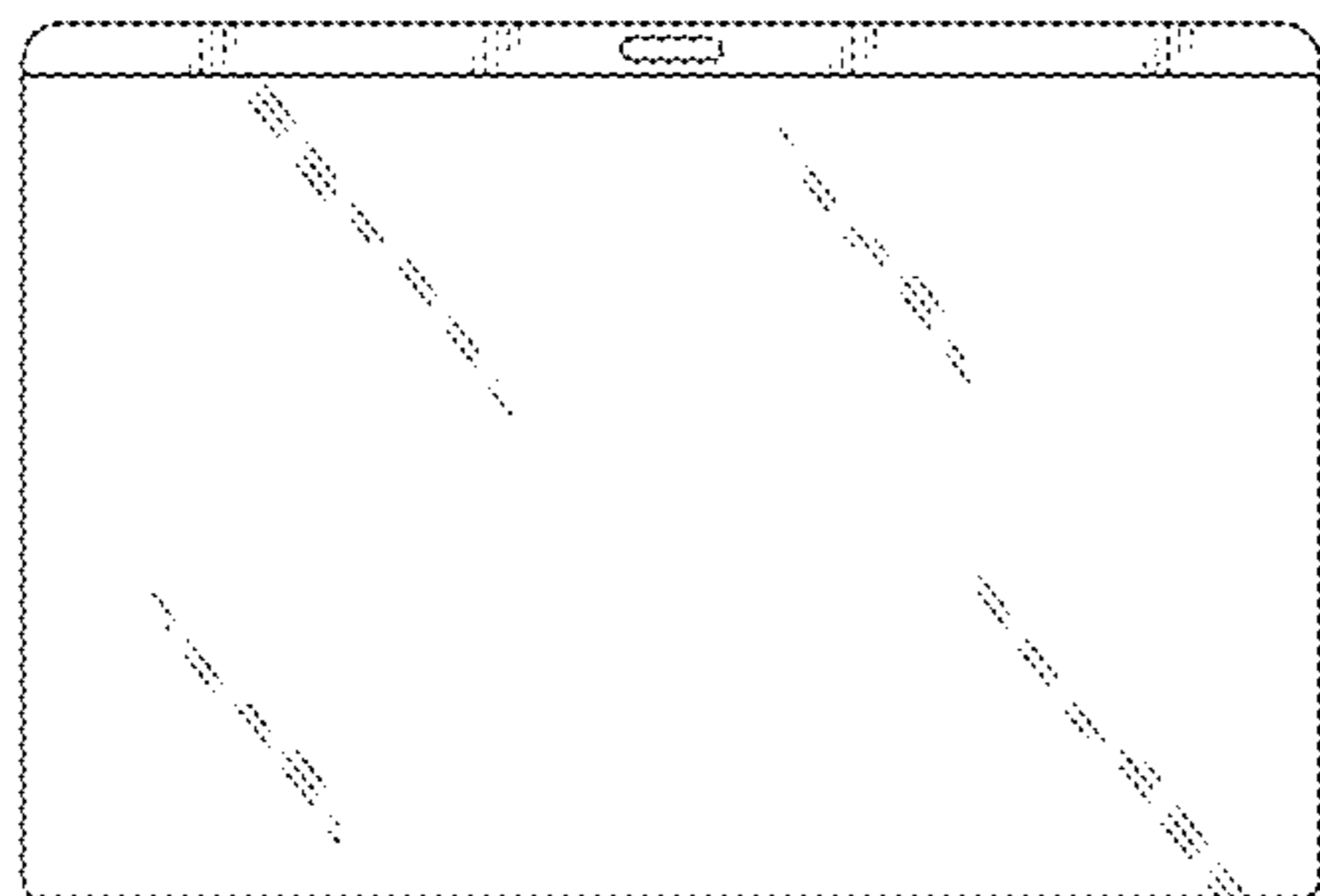
(57) **CLAIM**

The ornamental design for a magnetic privacy screen, as shown and described.

DESCRIPTION

FIG. 1 is a back elevation view of a magnetic privacy screen in accordance with my design;
FIG. 2 is a front elevation view thereof;
FIG. 3 is a right side elevation view thereof; and,
FIG. 4 is an enlarged perspective view of the upper left quadrant of the front and left side views thereof.
The broken lines shown in FIG. 4 indicate portions of the magnetic privacy screen that are shown enlarged and form no part of the claimed design.

1 Claim, 4 Drawing Sheets



(56)

References Cited

U.S. PATENT DOCUMENTS

9,829,669	B1	*	11/2017	Leipold	G02B 1/14
D805,490	S	*	12/2017	Lim	D14/126
D814,465	S	*	4/2018	Kim	D14/374
D816,673	S	*	5/2018	Lim	D14/374
D817,290	S	*	5/2018	Lee	D14/126
D836,644	S	*	12/2018	Li	D14/440

* cited by examiner

FIG. 1

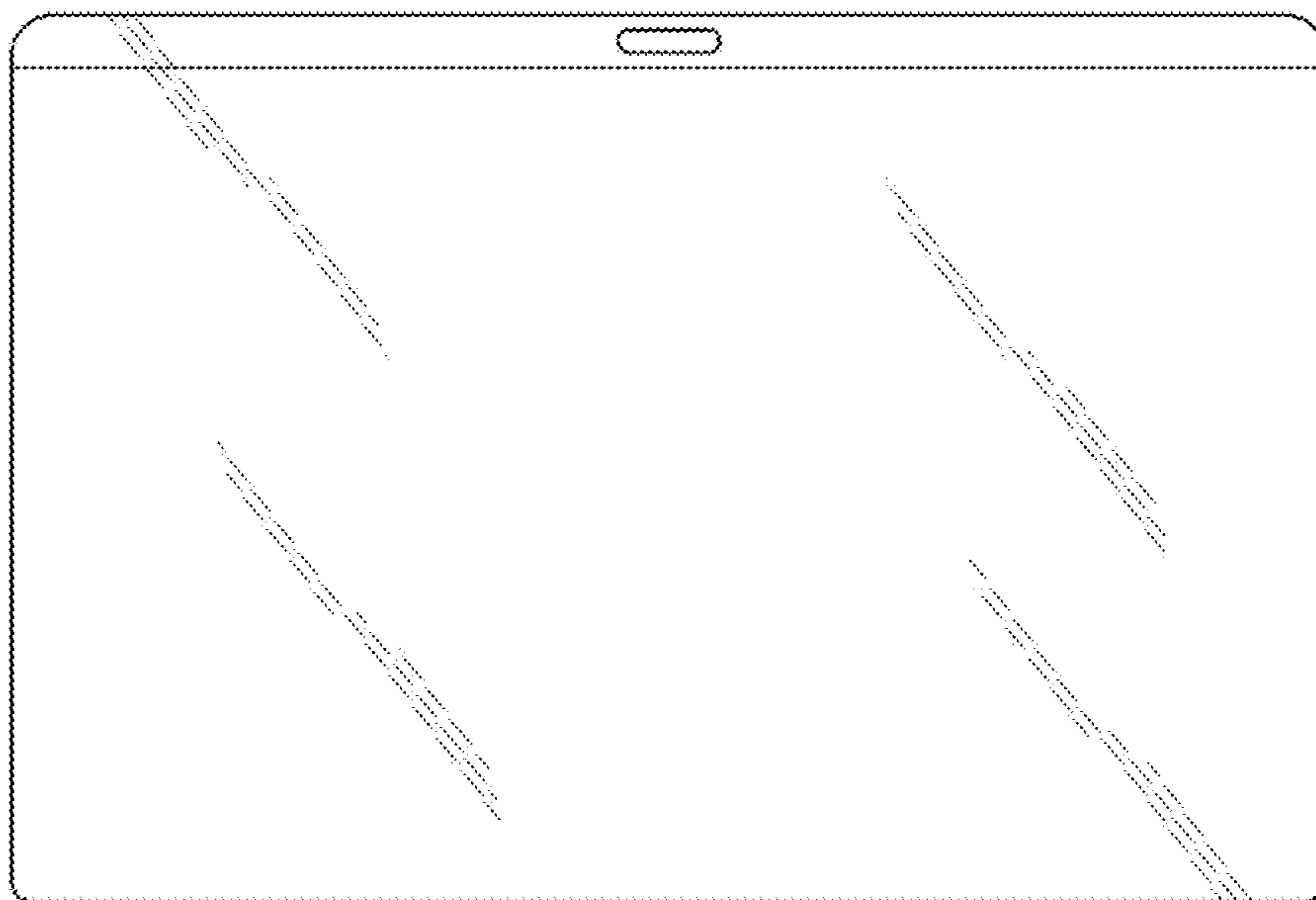


FIG. 2

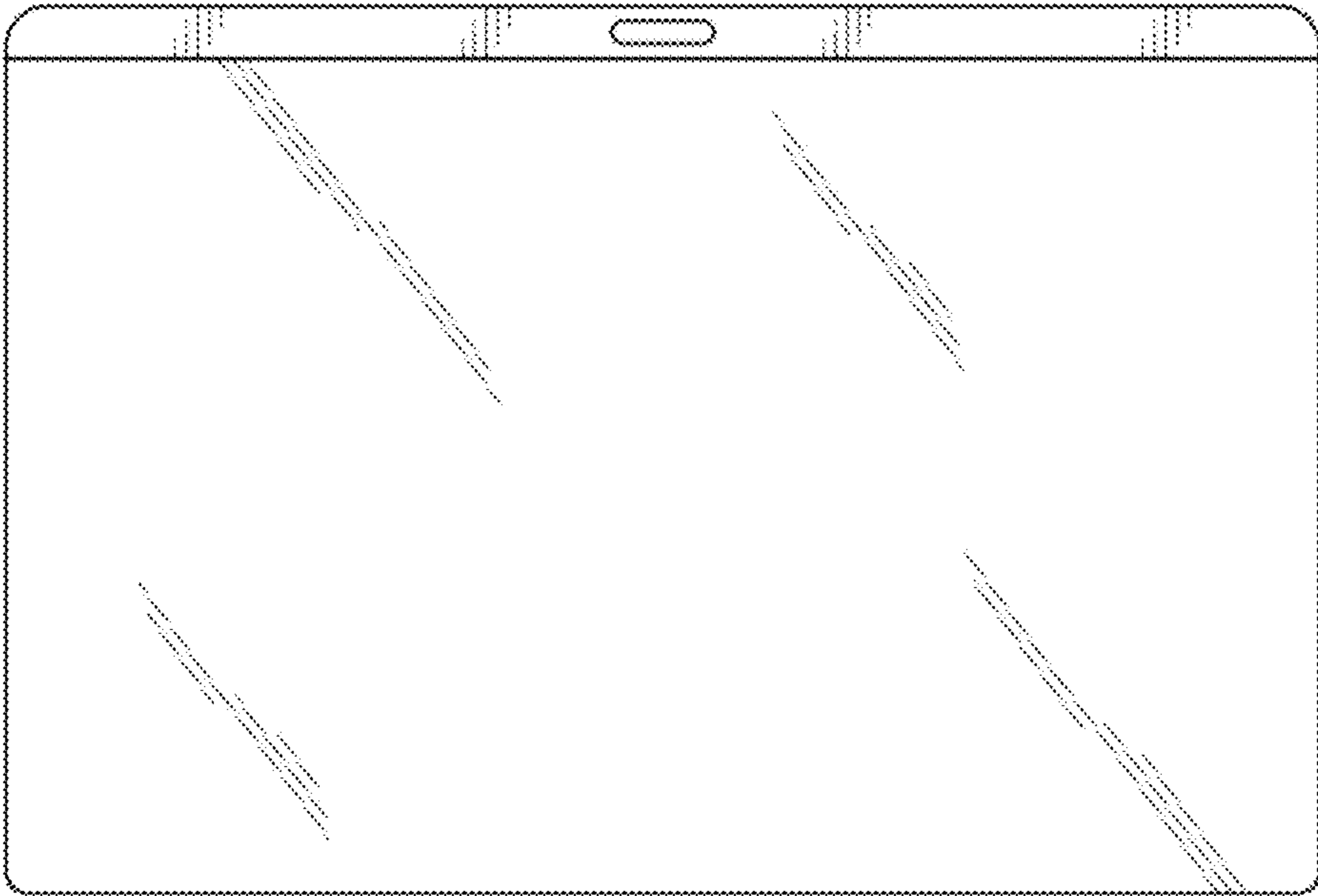


FIG. 3



FIG. 4

