



US00D844009S

(12) **United States Design Patent**
Kim et al.

(10) **Patent No.:** **US D844,009 S**
(45) **Date of Patent:** **** Mar. 26, 2019**

(54) **DOCKING STATION FOR PORTABLE ELECTRONIC DEVICE**

(71) Applicant: **Samsung Electronics Co., Ltd.**,
Suwon-si (KR)

(72) Inventors: **Goangtae Kim**, Gwangmyeong-si (KR); **Eunha Choi**, Seoul (KR); **Yongseok Bang**, Yongin-si (KR)

(73) Assignee: **Samsung Electronics Co., Ltd.**,
Suwon-si (KR)

(**) Term: **15 Years**

(21) Appl. No.: **29/609,720**

(22) Filed: **Jul. 5, 2017**

(30) **Foreign Application Priority Data**

Jan. 6, 2017 (KR) 30-2017-0000916

Feb. 22, 2017 (KR) 30-2017-0008414

(51) **LOC (11) Cl.** **14-02**

(52) **U.S. Cl.**
USPC **D14/434**

(58) **Field of Classification Search**
USPC D14/434, 440, 447, 251-253, 432, 451,
D14/452, 454, 140, 142, 149, 217, 240,
(Continued)

(56) **References Cited**

U.S. PATENT DOCUMENTS

D552,597 S * 10/2007 Solland D14/217

D553,122 S * 10/2007 Solland D14/217

(Continued)

FOREIGN PATENT DOCUMENTS

EM 000586334-0001 10/2006

EM 000710157-0001 5/2007

KR 30-2012-0012914 9/2013

OTHER PUBLICATIONS

Samsung Fast Charge Wireless Charging Stand review. androidcentral.com.(online) 2 pgs. Posted May 4, 2016. [Retrieved on Jul. 2, 2018] <https://www.androidcentral.com/samsung-fast-charge-wireless-charging-stand-review>.*

(Continued)

Primary Examiner — Marie D. Fast Horse

(74) *Attorney, Agent, or Firm* — NSIP Law

(57) **CLAIM**

We claim the ornamental design for a docking station for portable electronic device, as shown and described.

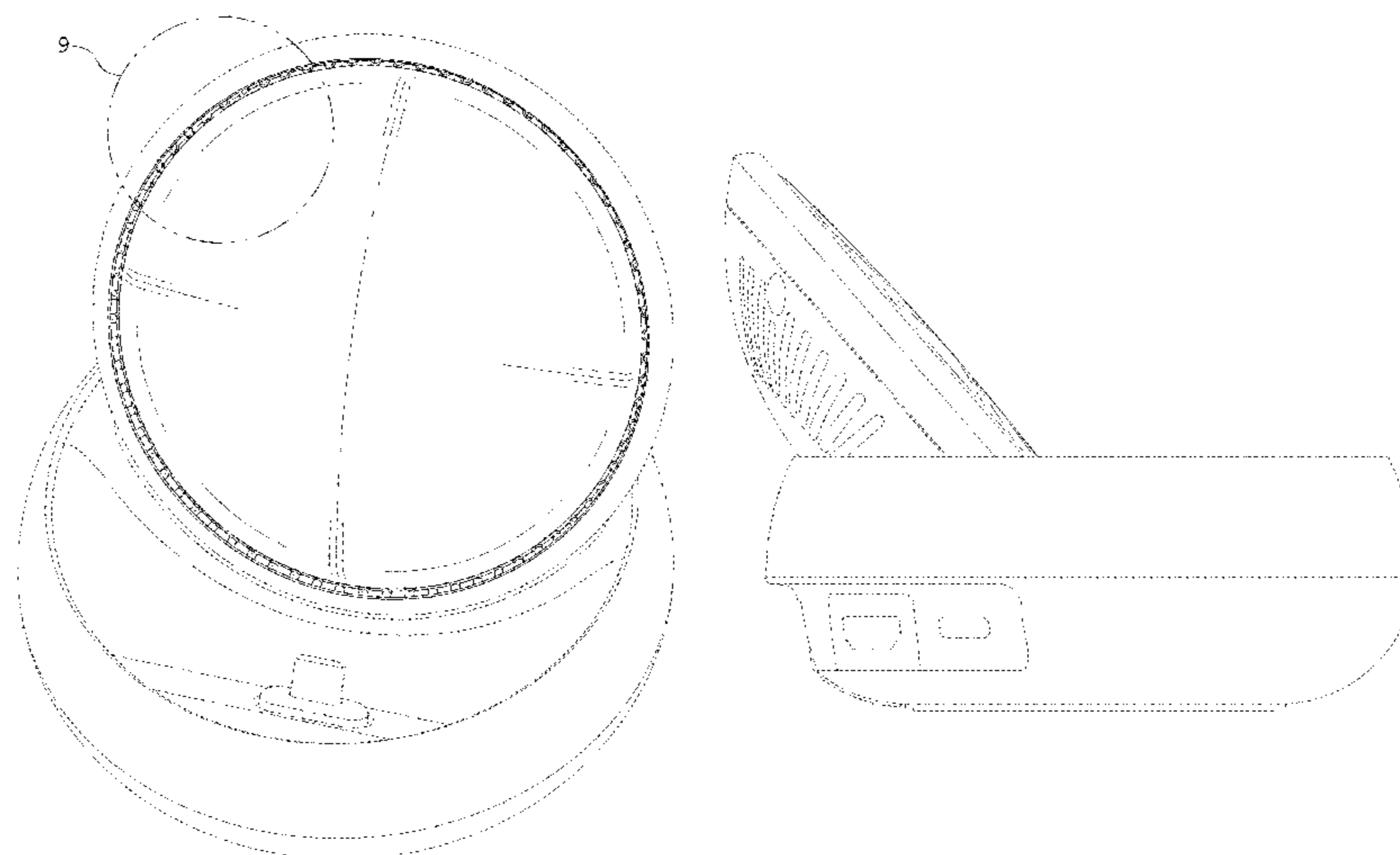
DESCRIPTION

FIG. 1 is a perspective view of a docking station for portable electronic device showing our new design; FIG. 2 is a front elevational view thereof; FIG. 3 is a rear elevational view thereof; FIG. 4 is a left-side elevational view thereof; FIG. 5 is a right-side elevational view thereof; FIG. 6 is a top plan view thereof; FIG. 7 is a bottom plan view thereof; FIG. 8 is a rear perspective view thereof; FIG. 9 is an enlarged view of the encircled portion in FIG. 1; and, FIG. 10 is an enlarged view of the encircled portion in FIG. 6.

The short dash-dash broken lines in the figures depict portions of the docking station for portable electronic device that form no part of the claimed design.

The dot-dot-dash broken lines in FIGS. 1, 6, 9, and 10 encircle portions of the claimed design that are illustrated in enlargements and form no part of the claimed design.

1 Claim, 10 Drawing Sheets



(58) **Field of Classification Search**

USPC ... D14/299, 496, 356, 358, 204, 207, 209.1,
 D14/211, 215, 216, 171; D13/103, 107,
 D13/108, 118, 119, 184; D6/512, 672,
 D6/682; D21/333
 CPC G06F 1/1616; G06F 1/1626; G06F 1/1632;
 G06F 1/1688; G06F 13/00; H01M 10/44;
 F16M 11/10; F16M 11/20; F16M 11/12;
 F16M 11/125; F16M 11/14; H02J 7/0042;
 H02J 7/00; H02J 7/0027; H02J 7/0044;
 H02J 7/0045; H02J 7/355; H01R 31/065;
 H04R 1/025; H04R 5/04
 See application file for complete search history.

D728,576 S * 5/2015 David D14/434
 D734,746 S * 7/2015 Vogel D14/253
 D735,133 S * 7/2015 Reishus D13/108
 D765,617 S * 9/2016 Mackiewicz D14/216
 9,441,781 B2 * 9/2016 Bevirt F16M 11/12
 D772,813 S * 11/2016 Wahl D13/108
 D777,103 S * 1/2017 Park D13/108
 D782,973 S * 4/2017 Zhou D13/108
 D788,035 S * 5/2017 Bang D13/108
 D789,295 S * 6/2017 Nuk D13/108
 D791,955 S * 7/2017 Gilbert D24/109
 D794,557 S * 8/2017 Kim D13/108
 D796,433 S * 9/2017 Langhammer D13/108
 D797,042 S * 9/2017 Miller D13/107
 D797,667 S * 9/2017 Park D13/108
 D797,668 S * 9/2017 Park G06F 1/1632

(56) **References Cited**

U.S. PATENT DOCUMENTS

D553,123 S * 10/2007 Solland D14/217
 D554,108 S * 10/2007 Solland D14/217
 D577,334 S * 9/2008 Kim D13/108
 D584,850 S * 1/2009 Itiravivong D26/89
 D620,884 S * 8/2010 Lee D13/108
 D671,924 S * 12/2012 Choi D14/239
 D680,541 S * 4/2013 Lee D14/217
 D693,814 S * 11/2013 Park D14/434
 D694,182 S * 11/2013 Lee D13/108
 D697,027 S * 1/2014 Ho D13/108
 D697,510 S * 1/2014 Sato D14/420
 D697,898 S * 1/2014 Park D14/209.1
 D701,831 S * 4/2014 Park D13/108
 D709,065 S * 7/2014 Guyot D14/253
 D723,021 S * 2/2015 Guyot D14/253
 D727,877 S * 4/2015 Seoc D14/209.1
 D728,575 S * 5/2015 David D14/434

D798,808 S * 10/2017 Ptok D13/108
 D801,307 S * 10/2017 Kim D14/216
 D801,312 S * 10/2017 Birger H04R 1/1016
 D809,449 S * 2/2018 Zhang D12/415
 D810,015 S * 2/2018 Carreon D13/108
 D812,563 S * 3/2018 Akana D13/108
 2005/0018395 A1 * 1/2005 Park G06F 1/1632
 361/679.02
 2014/0268542 A1 * 9/2014 Moon 361/679.41

OTHER PUBLICATIONS

Wireless chargers(WO D095690-001). (Design—© Questel) orbit.
 com.[online PDF] 6 pgs. Print Date Sep. 29, 2017. [Retrieved on
 Jul. 2, 2018] [https://sobjprd.questel.fr/export/QPTUJ214/pdf2/
 b5412da8-8aea-49d7-962e-a7fea4c7717d-184814.pdf](https://sobjprd.questel.fr/export/QPTUJ214/pdf2/b5412da8-8aea-49d7-962e-a7fea4c7717d-184814.pdf).*

* cited by examiner

FIG. 1

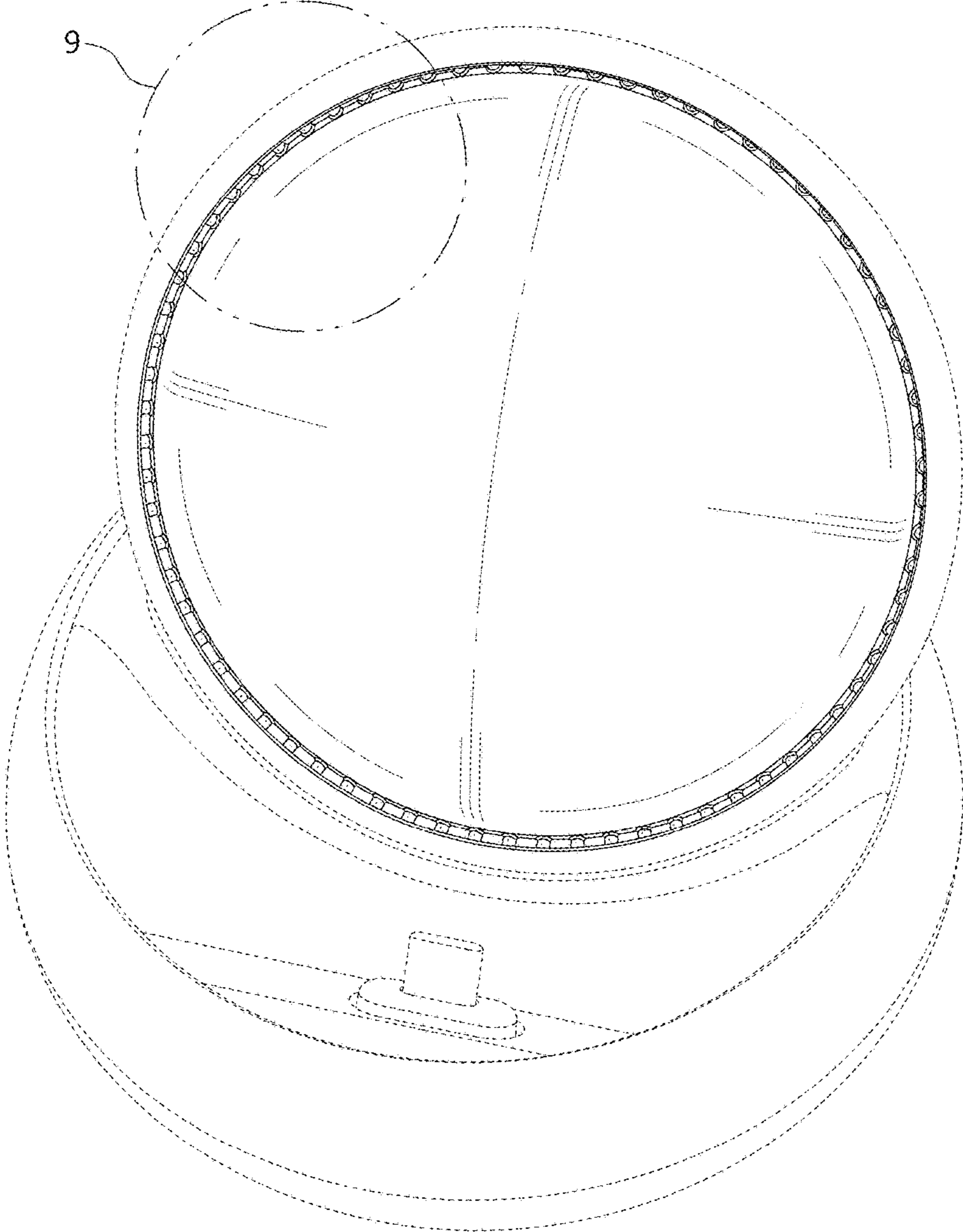


FIG. 2

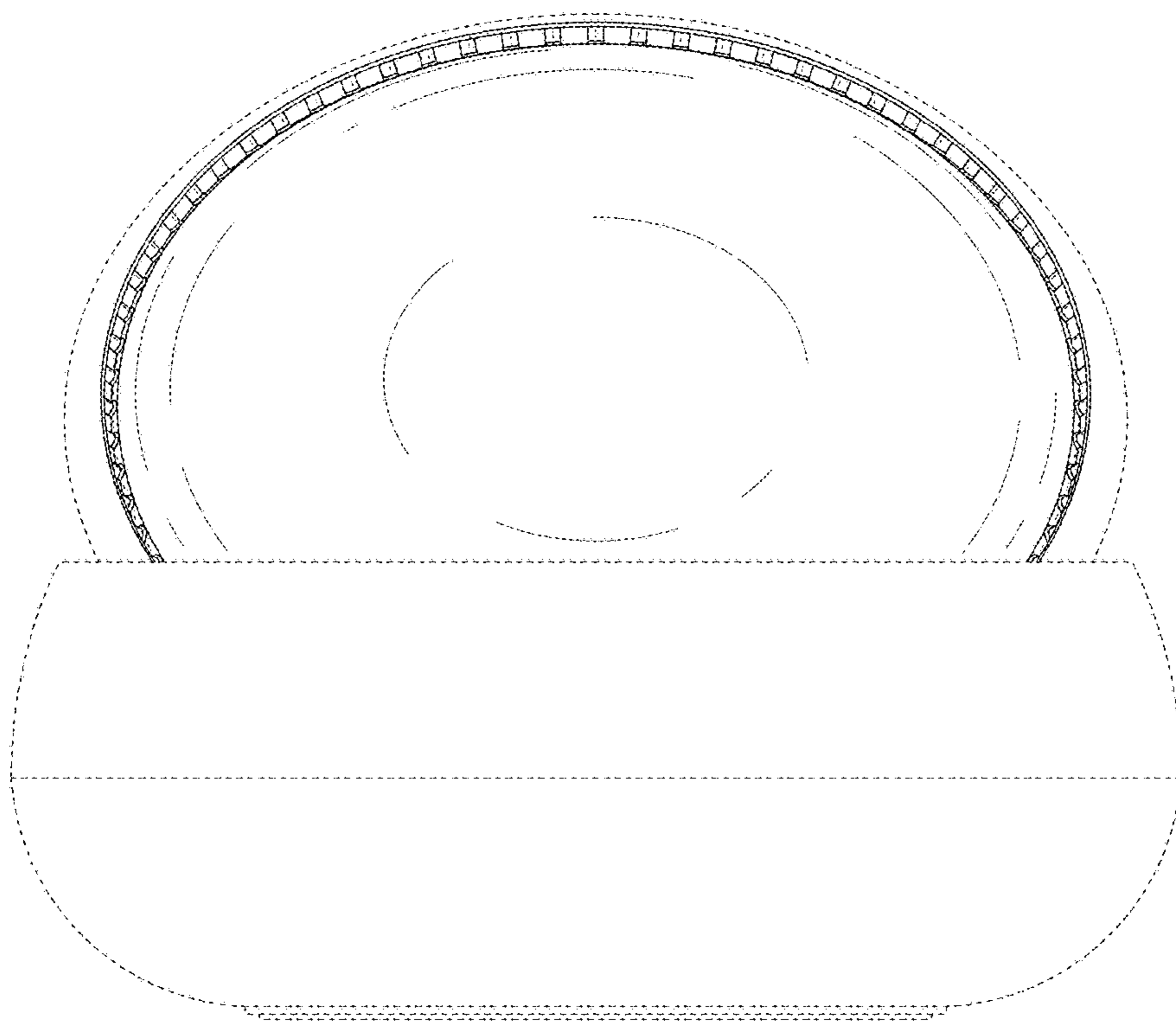


FIG. 3

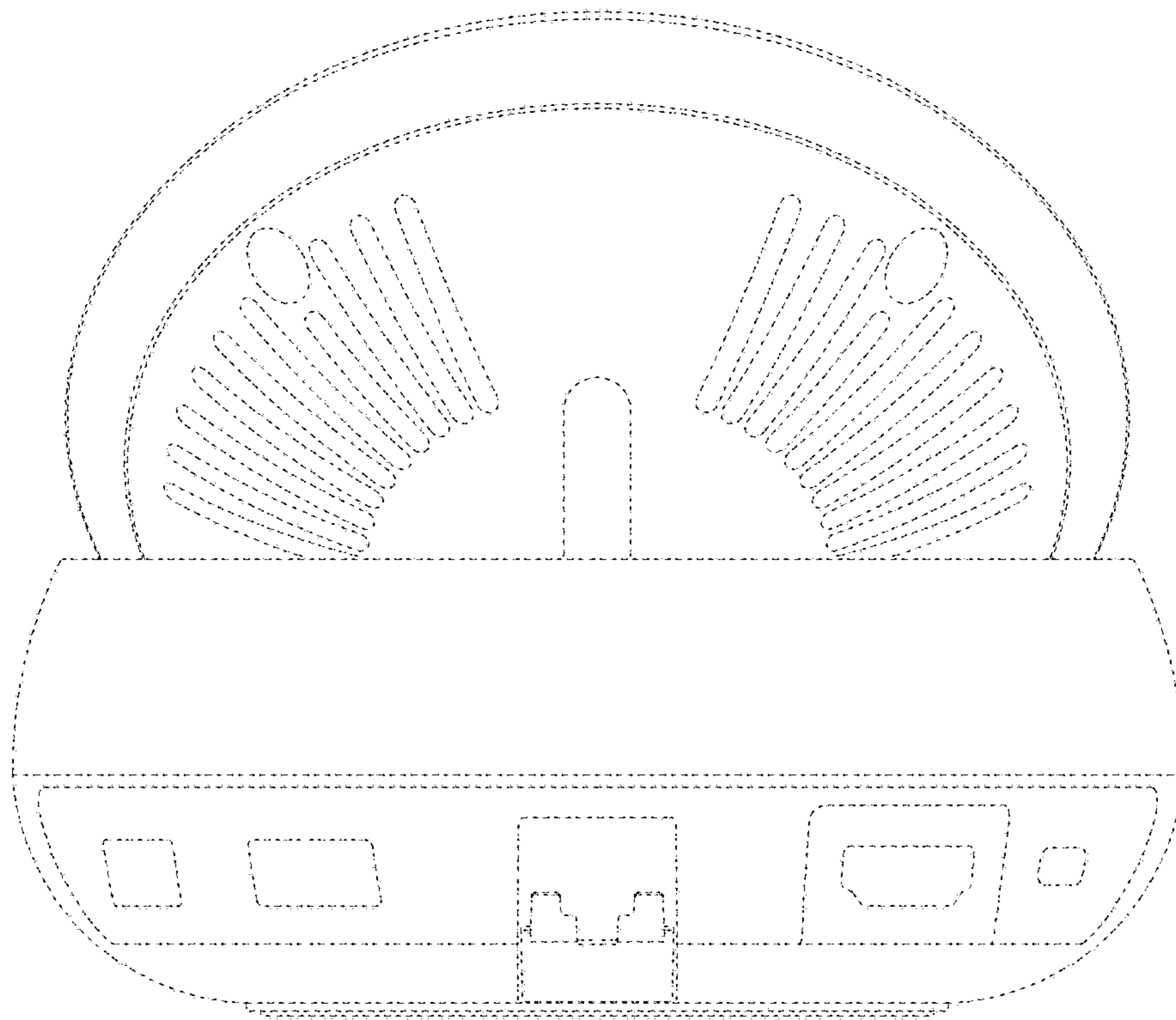


FIG. 4

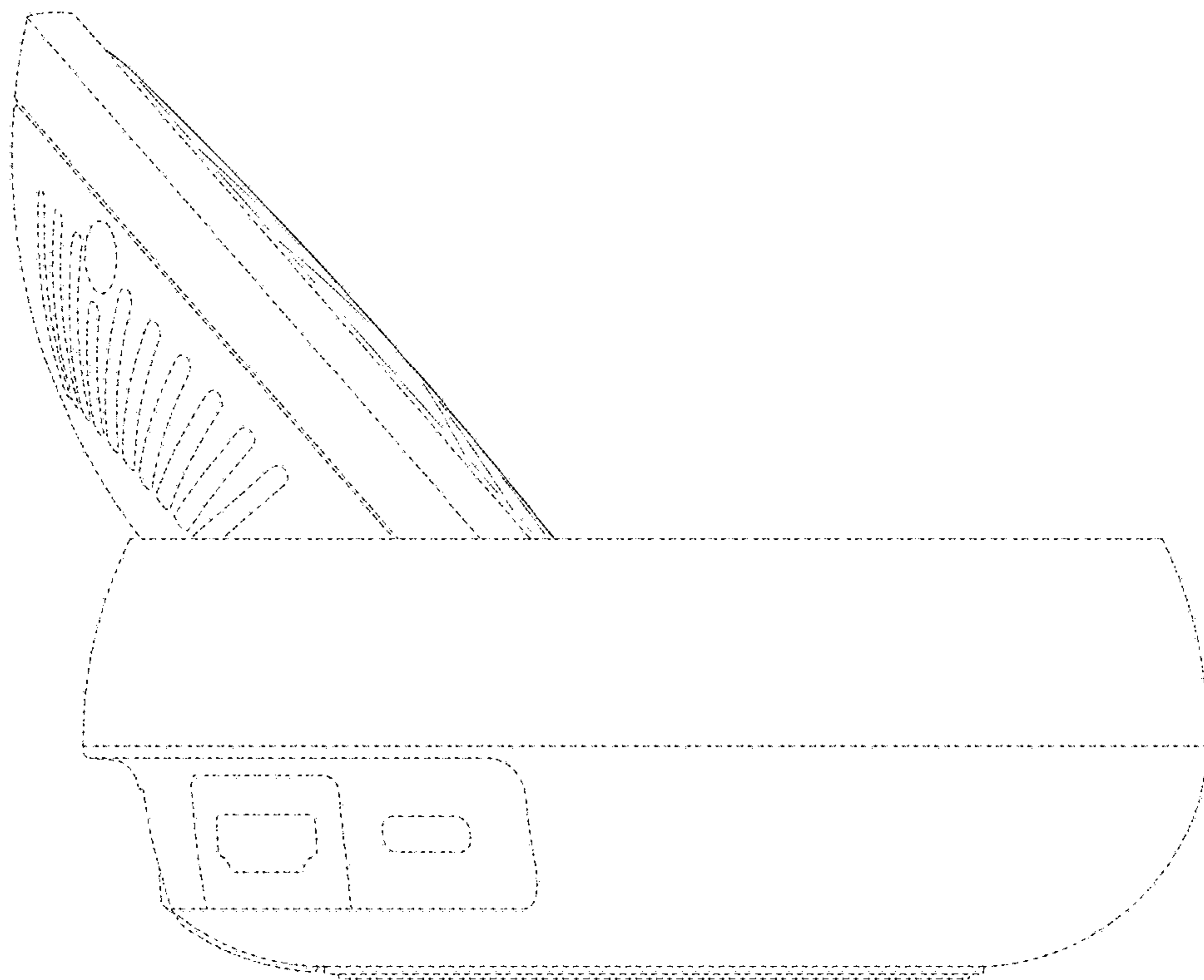


FIG. 5

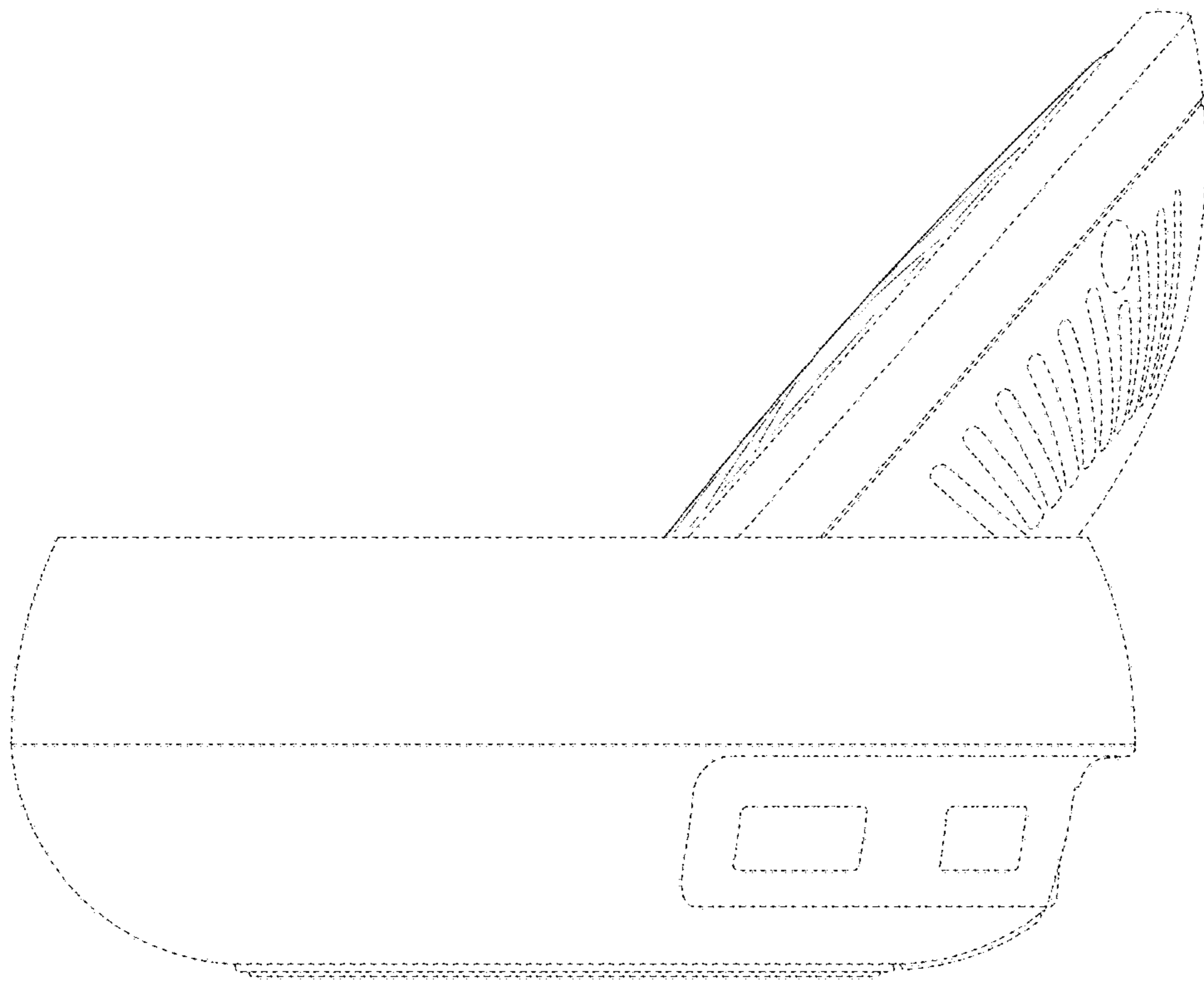


FIG. 6

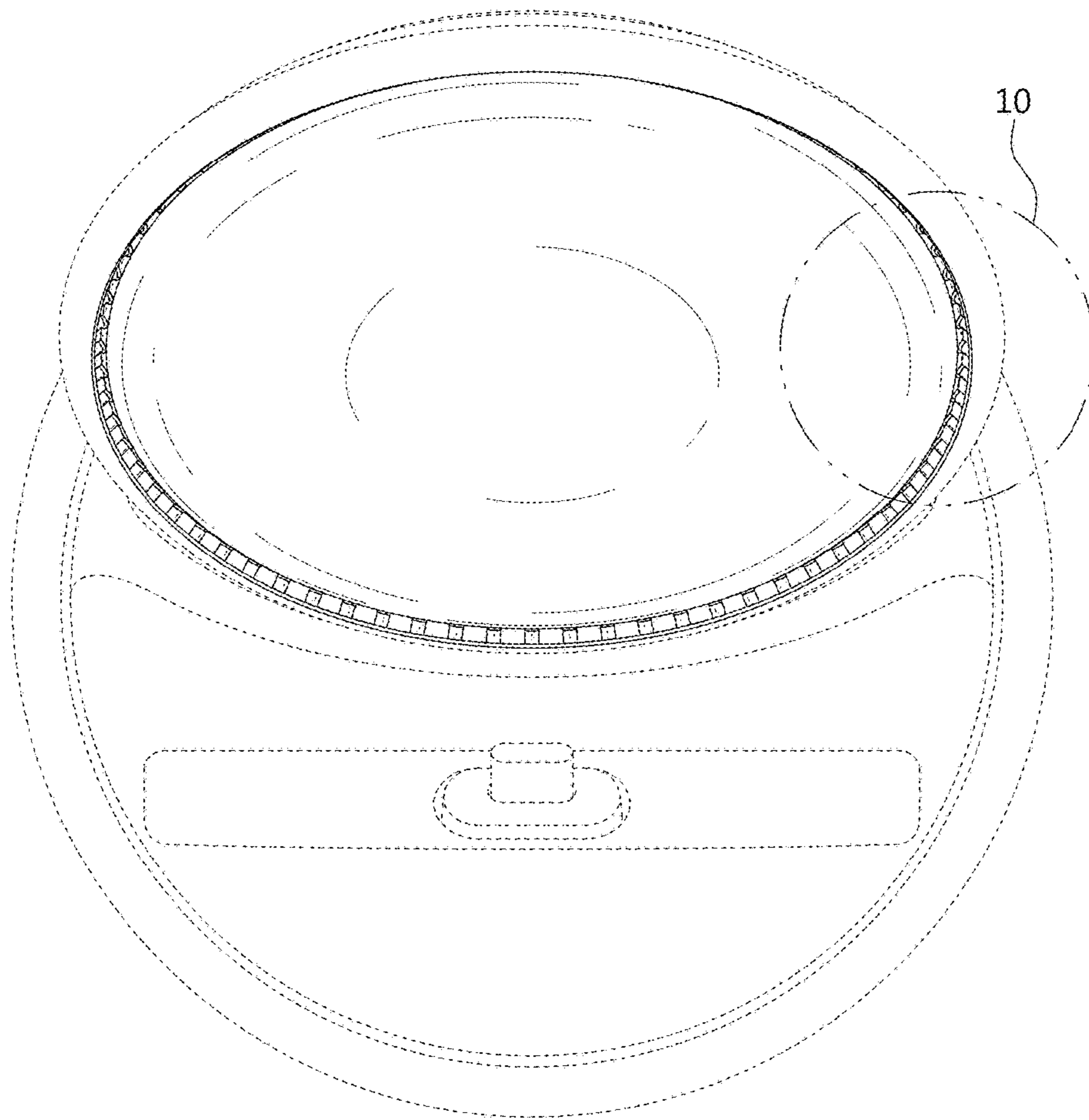


FIG. 7

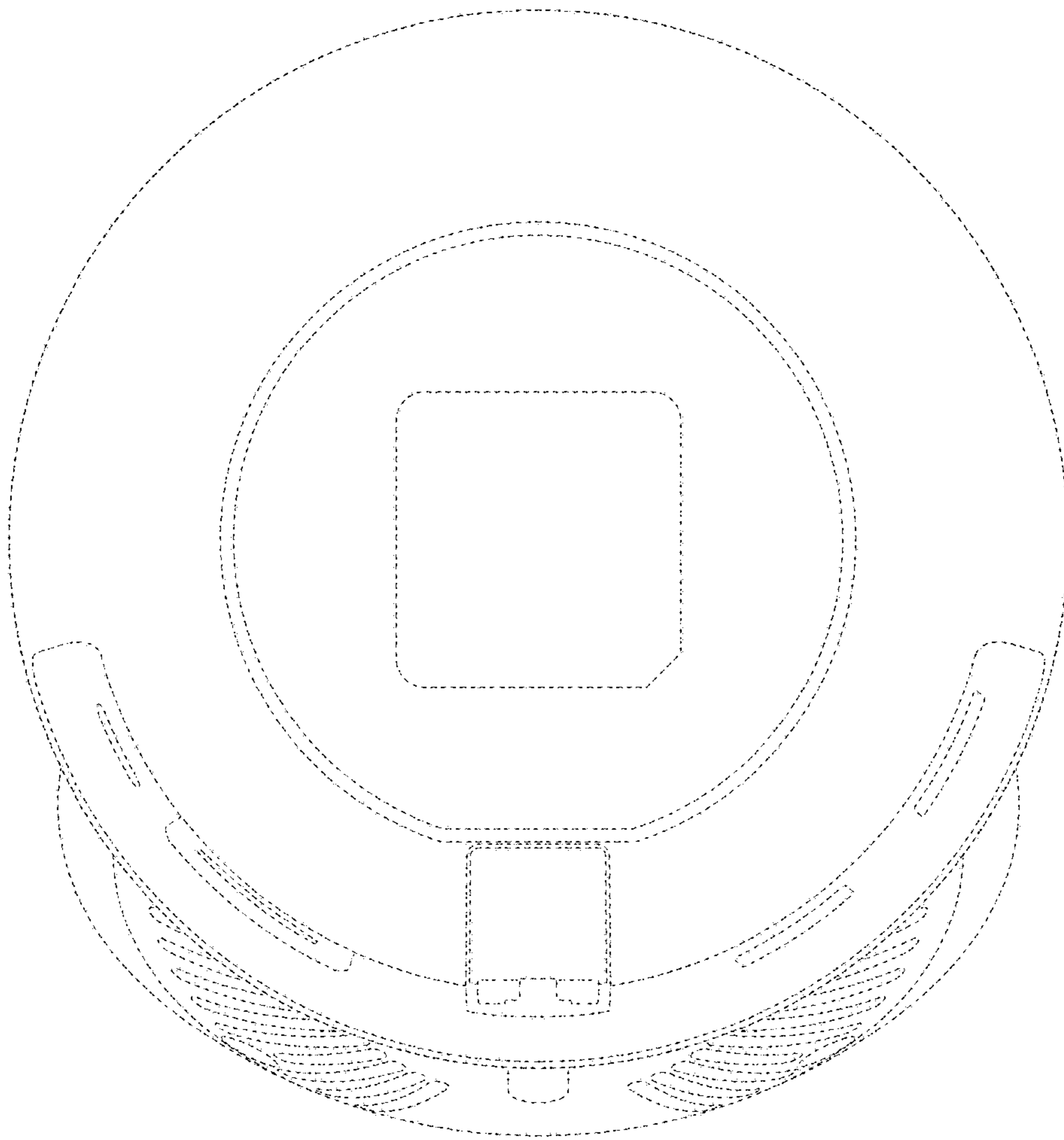


FIG. 8

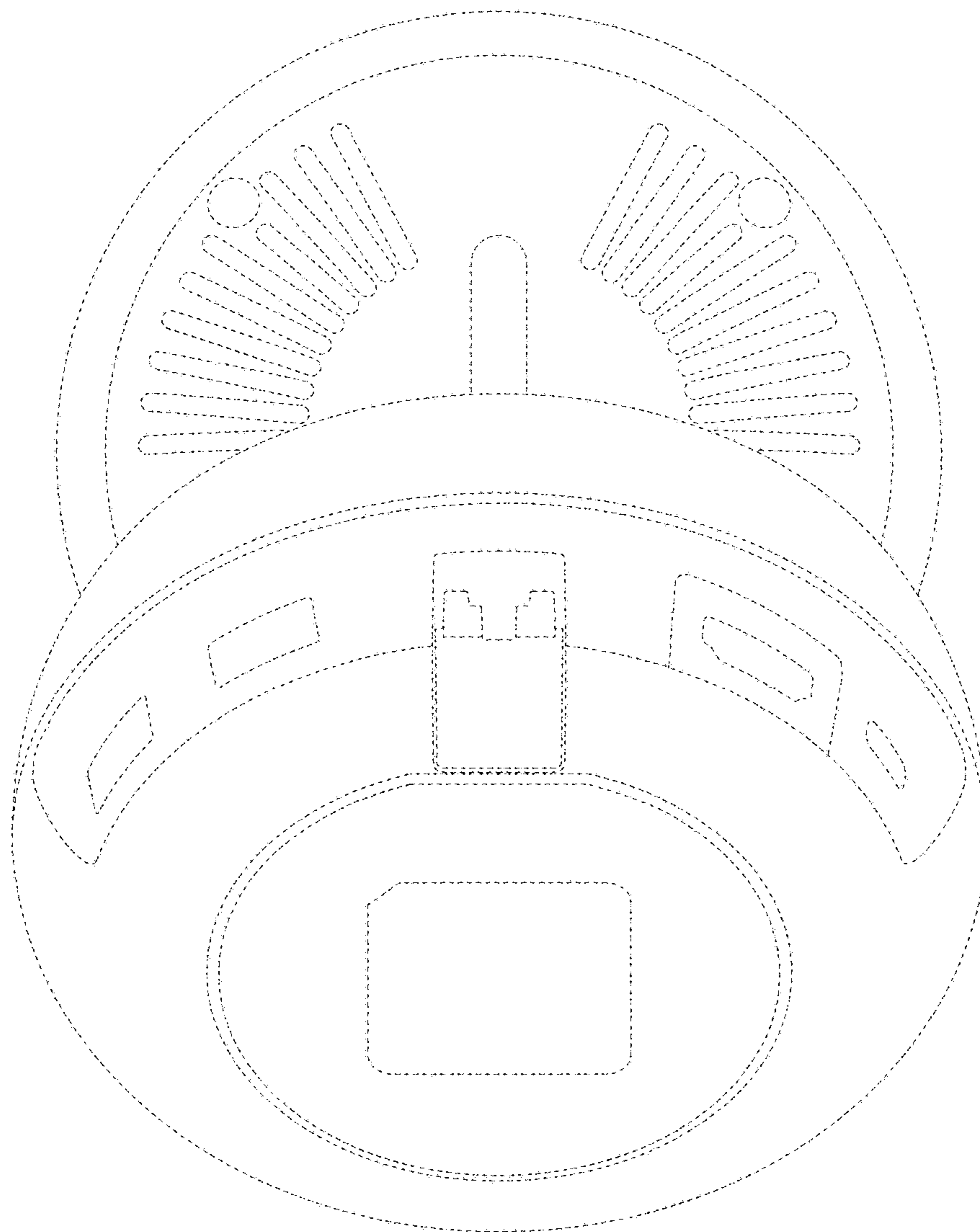


FIG. 9

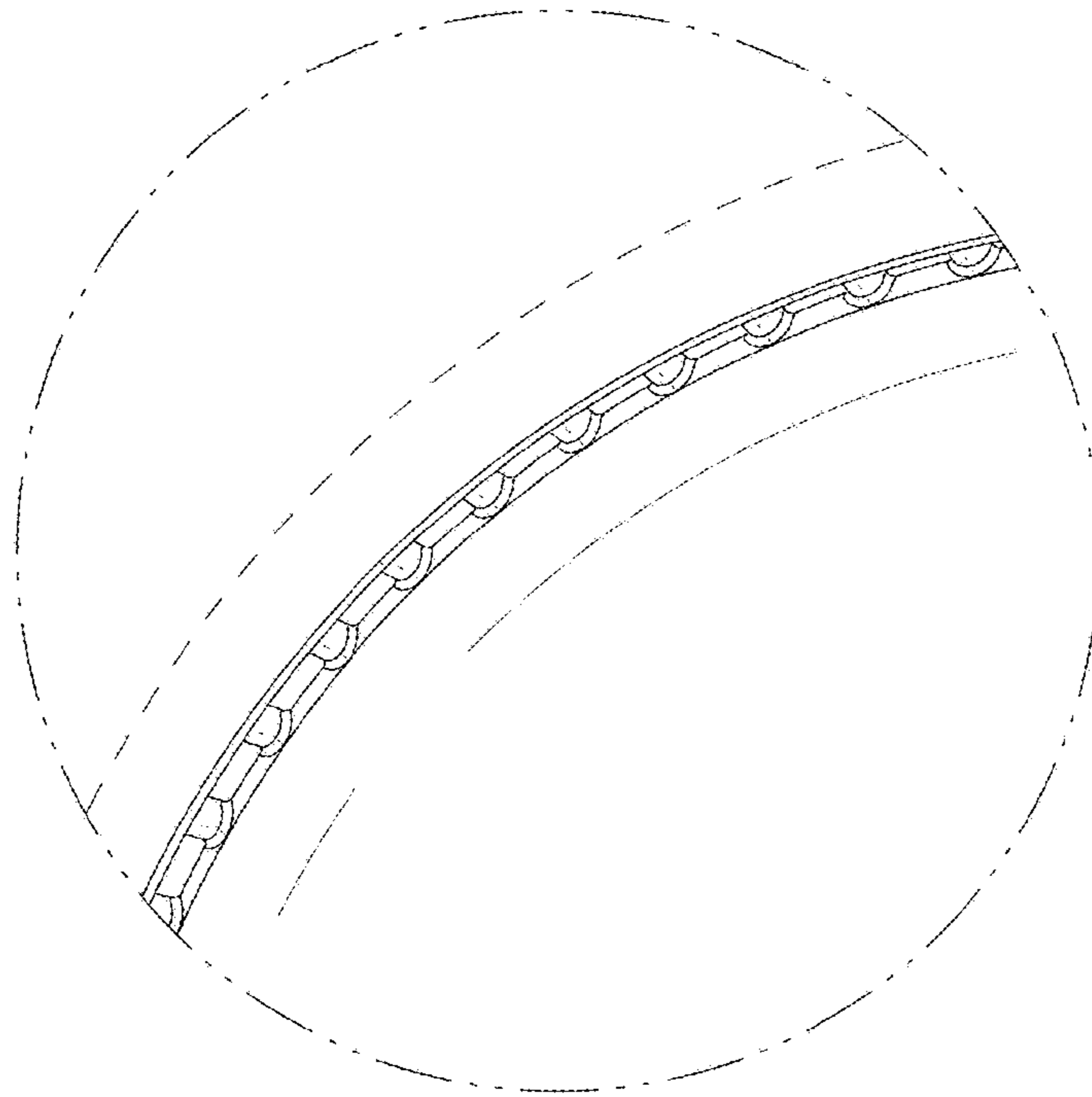


FIG. 10

