



US00D844007S

(12) **United States Design Patent**
Mori et al.

(10) **Patent No.:** **US D844,007 S**
(45) **Date of Patent:** **** Mar. 26, 2019**

(54) **PORT REPLICATOR**

(71) Applicant: **Panasonic Intellectual Property Management Co., Ltd., Osaka (JP)**

(72) Inventors: **Takeshi Mori, Osaka (JP); Go Osaki, Tokyo (JP)**

(73) Assignee: **Panasonic Intellectual Property Management Co., Ltd., Osaka (JP)**

(**) Term: **15 Years**

(21) Appl. No.: **29/597,368**

(22) Filed: **Mar. 16, 2017**

(30) **Foreign Application Priority Data**

Feb. 22, 2017 (JP) 2017-003442

(51) **LOC (11) Cl.** **14-02**

(52) **U.S. Cl.**
USPC **D14/434**

(58) **Field of Classification Search**
USPC D14/434, 440, 447, 251–253, 432, 451,
D14/452, 454, 140, 142, 149, 217, 240,
D14/299, 496, 356, 358, 357, 433, 359,
D14/361, 363, 385; D13/103, 107, 108,
D13/118, 119, 184; D21/333; D6/512,
D6/672, 682

CPC G06F 1/1632; G06F 1/1635; G06F 1/1637;
F16M 11/00; F16M 11/04; F16M 11/041

See application file for complete search history.

(56) **References Cited**

U.S. PATENT DOCUMENTS

D301,713 S * 6/1989 Bolan D13/184
D320,196 S * 9/1991 Carter D14/434
D332,090 S * 12/1992 Iino D14/434
D335,490 S * 5/1993 Mesfin D14/434

D351,133 S * 10/1994 Jungels-Butler D13/108
D362,663 S * 9/1995 Nguyen D14/434
D366,469 S * 1/1996 Youens D14/434
D378,676 S * 4/1997 Goodman D14/447
D392,627 S * 3/1998 Kondo D14/434
D396,705 S * 8/1998 Iino D14/434
D406,573 S * 3/1999 Yao D14/433
D471,912 S * 3/2003 Camarota D14/432
D604,971 S * 12/2009 Lampman D6/682
D632,249 S * 2/2011 Kuroda D13/108
D639,813 S * 6/2011 Kuroda D14/447
D763,852 S * 8/2016 Avganim D14/433
D780,824 S * 3/2017 Li D14/434
D785,634 S * 5/2017 Iwamoto D14/434
D789,371 S * 6/2017 Iwamoto D14/433
D791,699 S * 7/2017 Watanabe D13/108

(Continued)

Primary Examiner — Marie D. Fast Horse

(74) *Attorney, Agent, or Firm* — Panasonic IP Management; Kerry S. Culpepper

(57) **CLAIM**

We claim the ornamental design for a port replicator, as shown and described.

DESCRIPTION

FIG. 1 is a front perspective view of a port replicator of the present invention;

FIG. 2 is a front view thereof;

FIG. 3 is a rear view thereof;

FIG. 4 is a first side view thereof;

FIG. 5 is a second side view thereof;

FIG. 6 is a top view thereof;

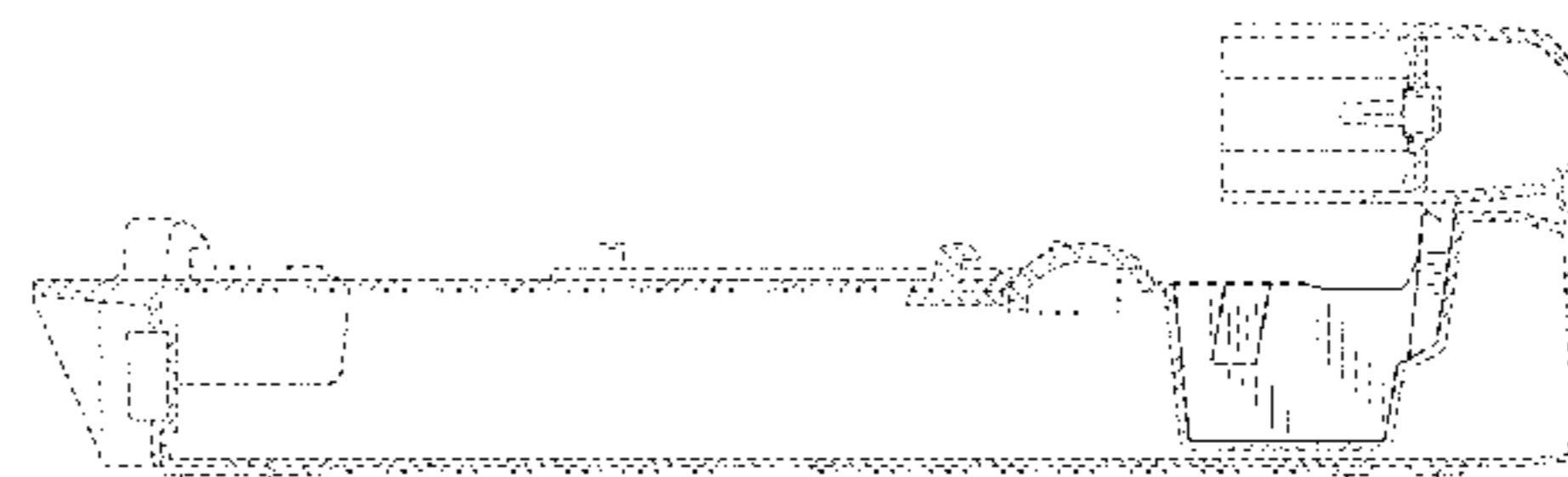
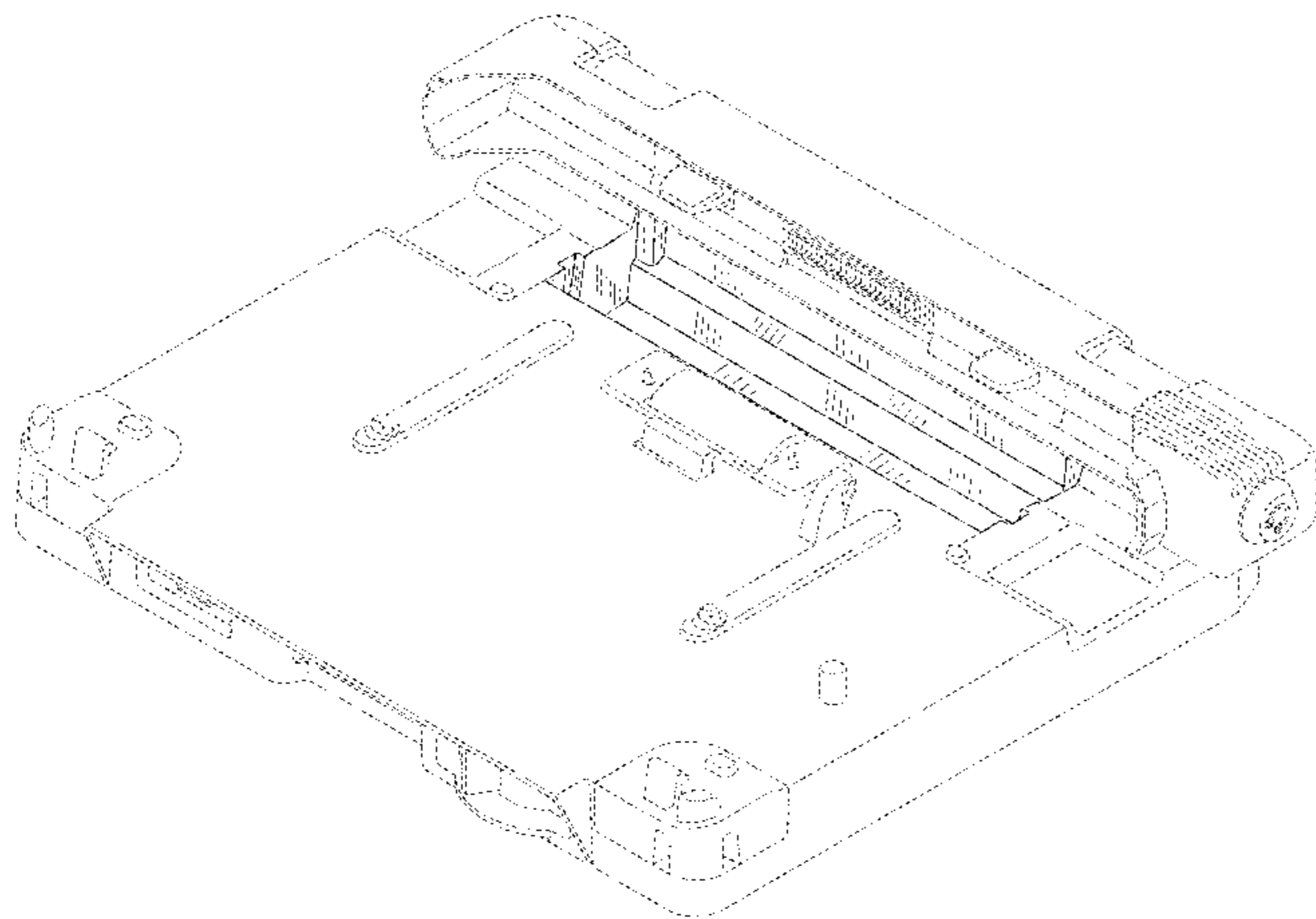
FIG. 7 is a bottom view thereof;

FIG. 8 is a cross-sectional view taken along the line 8-8 in FIG. 2; and,

FIG. 9 is an enlarged cross-sectional view of the area marked as 9 in FIG. 5 thereof.

The broken lines in the drawings depict portions of the port replicator that form no part of the claimed design.

1 Claim, 9 Drawing Sheets



(56)

References Cited

U.S. PATENT DOCUMENTS

D812,621 S * 3/2018 Nyholm D14/440
2008/0239658 A1 * 10/2008 Chou G06F 1/1632
361/679.38

* cited by examiner

FIG. 1

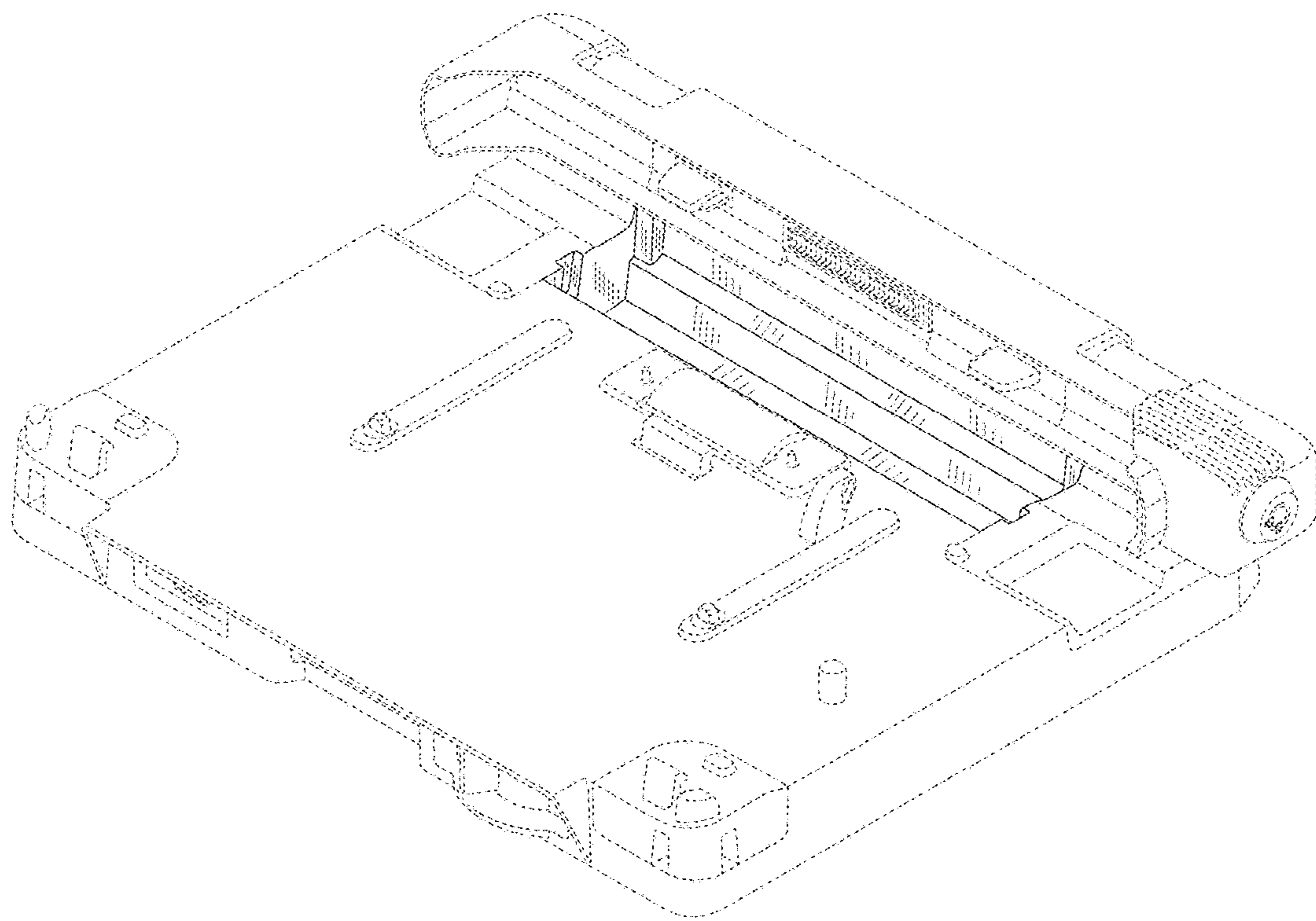


FIG. 2

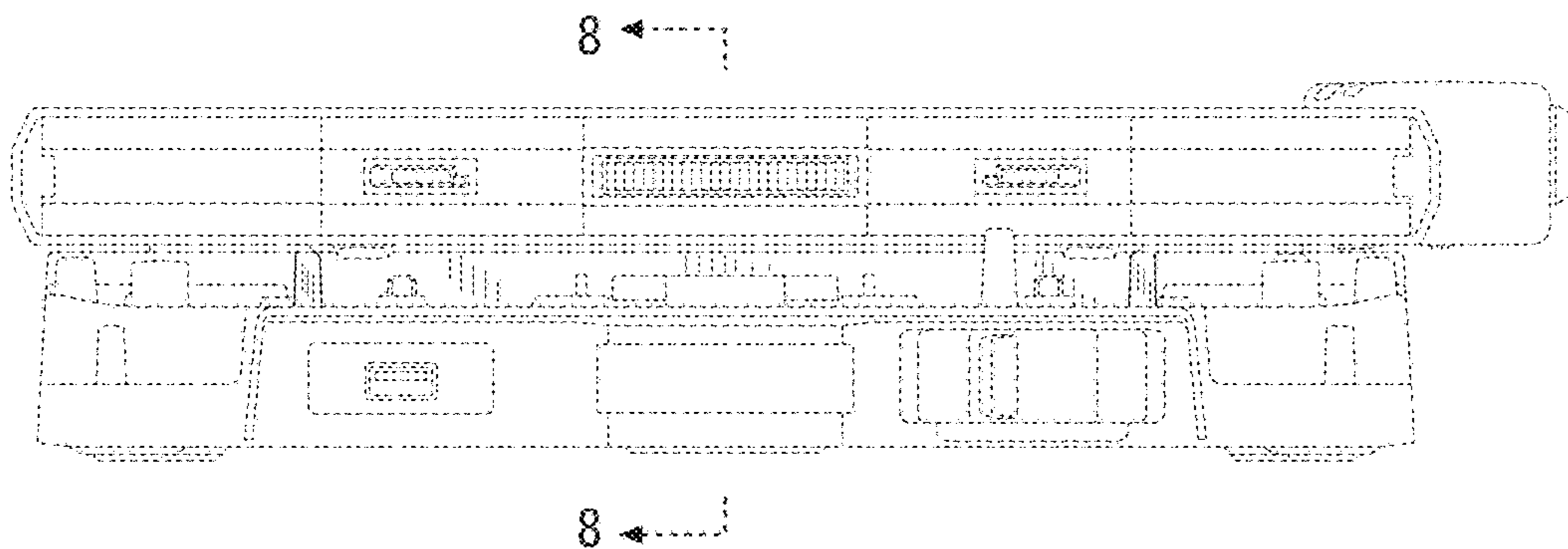


FIG. 3

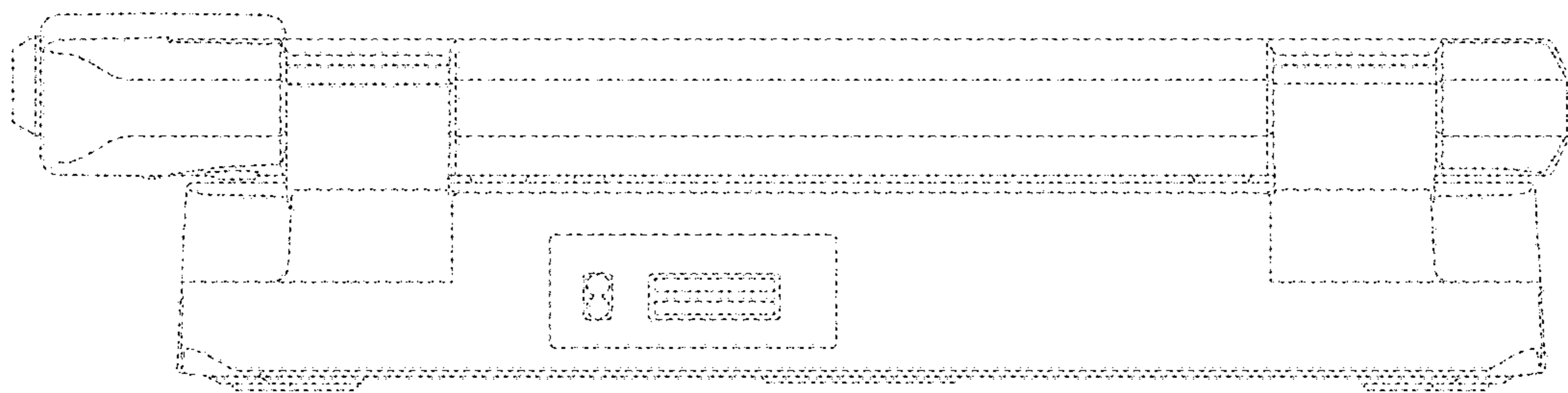


FIG. 4

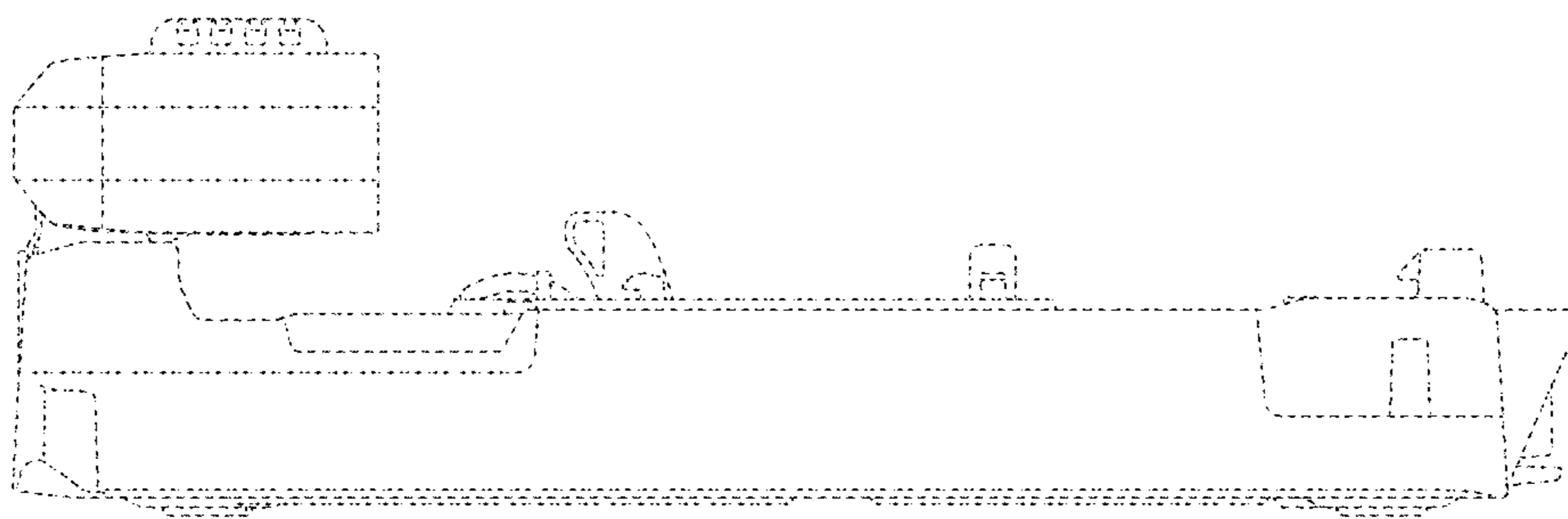


FIG. 5

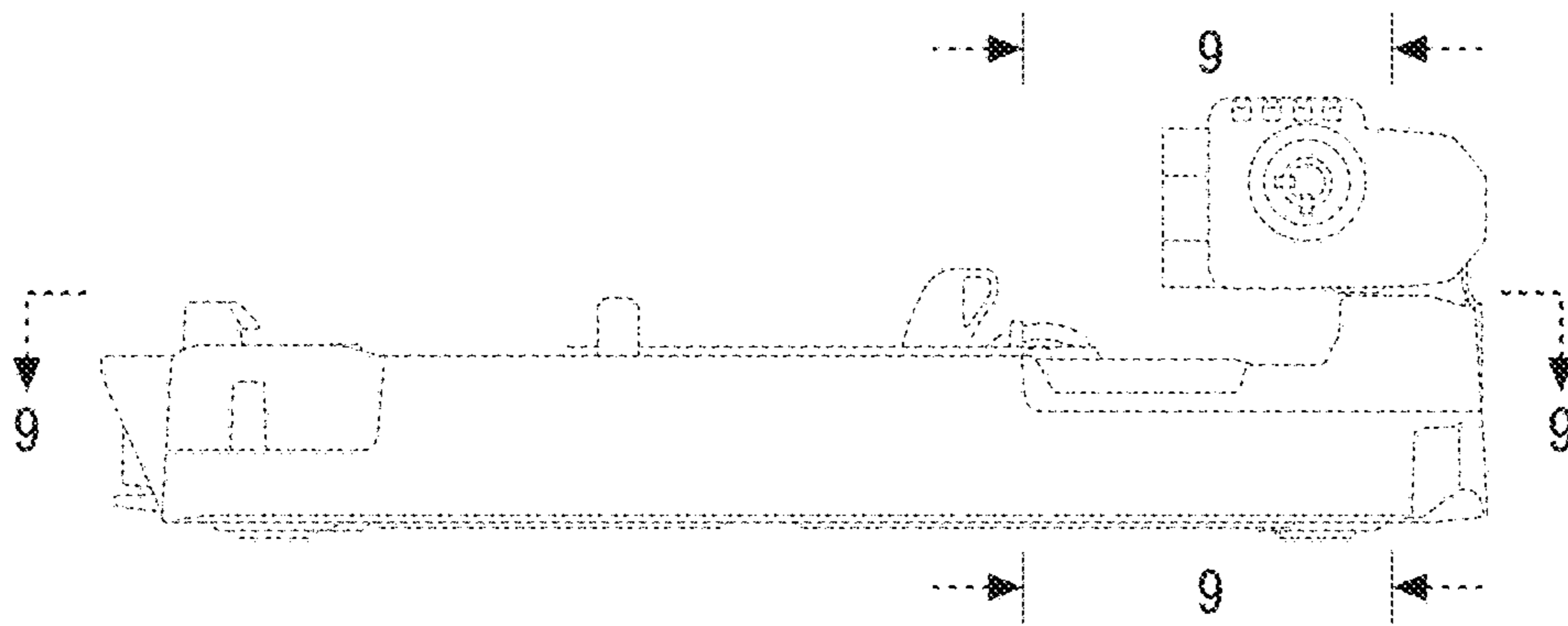


FIG. 6

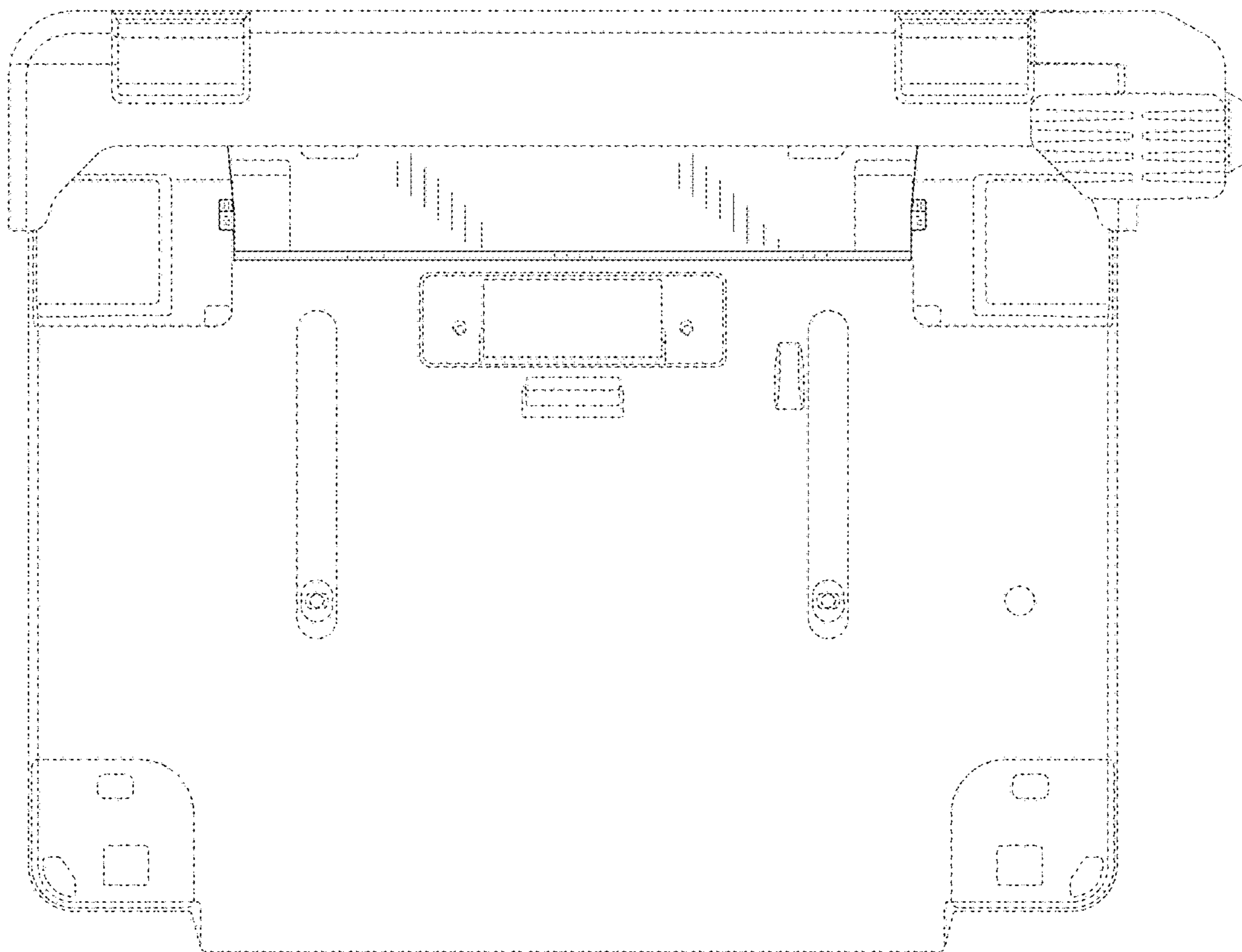


FIG. 7

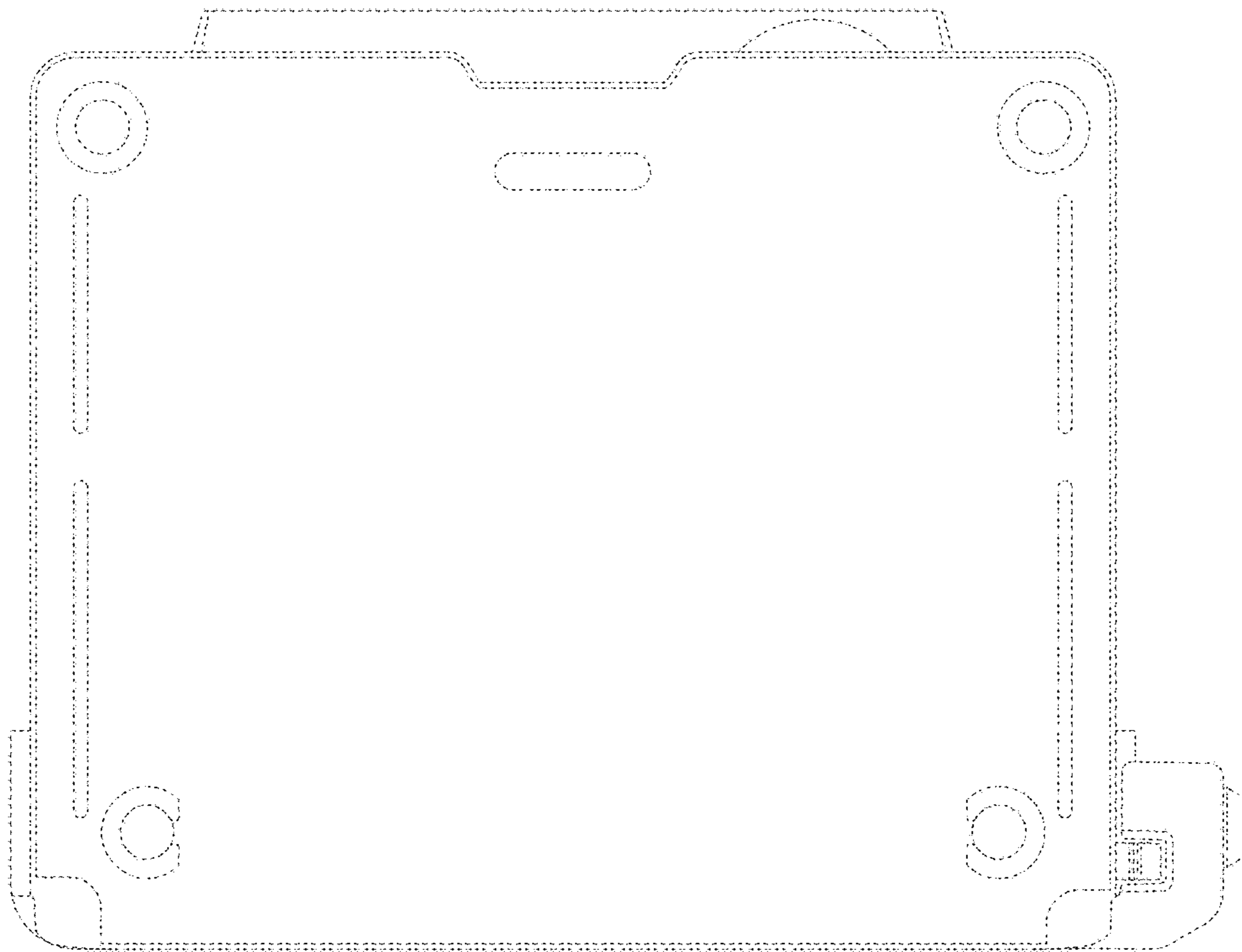


FIG. 8

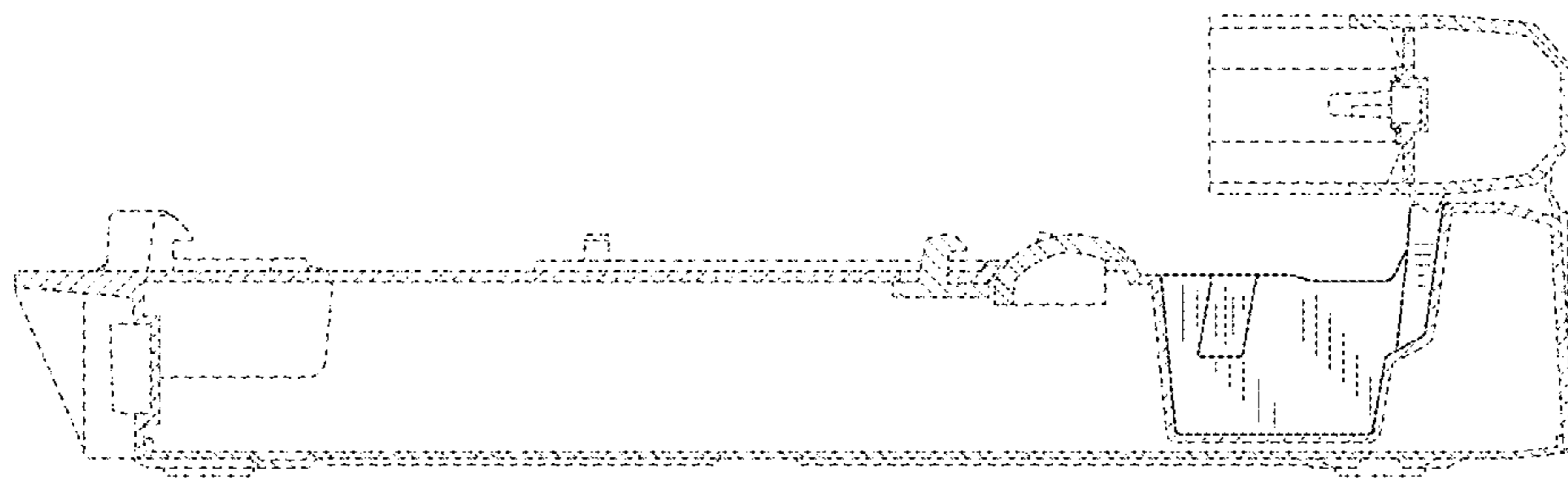


FIG. 9

