



US00D844006S

(12) **United States Design Patent**
Molnár

(10) **Patent No.:** **US D844,006 S**

(45) **Date of Patent:** **** Mar. 26, 2019**

- (54) **PORTABLE WIRELESS HUB**
- (71) Applicant: **Fruitdock Kft**, Miskolc (HU)
- (72) Inventor: **Máté Molnár**, Miskolc (HU)
- (73) Assignee: **FRUITDOCK KFT**, Budakeszi (HU)
- (**) Term: **15 Years**
- (21) Appl. No.: **29/595,246**
- (22) Filed: **Feb. 27, 2017**
- (51) **LOC (11) Cl.** **14-02**
- (52) **U.S. Cl.**
USPC **D14/434**; D14/358
- (58) **Field of Classification Search**
USPC D14/434, 440, 447, 251–253, 432, 451,
D14/452, 454, 140, 142, 149, 217, 240,
D14/299, 496, 356, 358, 171, 357, 433,
D14/300, 301, 302, 315, 348, 349, 363,
D14/365, 314; D13/103, 107, 108, 118,
D13/119, 123, 133, 134, 154, 158, 162,
D13/173, 184, 110
CPC G06F 1/1632; G06F 1/1635; G06F 1/1637;
G06F 13/00; G06F 13/387; G06F 3/05;
F16M 11/00; H02J 7/0042; H02J 7/00;
H02J 7/0027; H02J 7/0044; H02J 7/0045;
H02J 7/355; H01R 31/065; H03M 1/00
See application file for complete search history.

- D514,556 S * 2/2006 Rising D14/300
- D515,089 S * 2/2006 Ho D14/365
- D520,519 S * 5/2006 Chin D14/203.3
- D525,968 S * 8/2006 Peng D14/300
- D559,230 S * 1/2008 Griffin D14/217
- D585,060 S * 1/2009 Han D14/358
- D594,849 S * 6/2009 Ko D14/217

(Continued)

OTHER PUBLICATIONS

DoBoxCould AddMouse Support to iOS Devices. iphonelife.com
[online] 4 pgs. Posted Mar. 8, 2016. [Retrieved on Dec. 26, 2017]
<https://www.iphonelife.com/content/dobox-could-add-mouse-support-ios-devices>.*

(Continued)

Primary Examiner — Marie D. Fast Horse
(74) *Attorney, Agent, or Firm* — Ziegler IP Law Group, LLC

(57) **CLAIM**

The ornamental design for a portable wireless hub, as shown and described.

DESCRIPTION

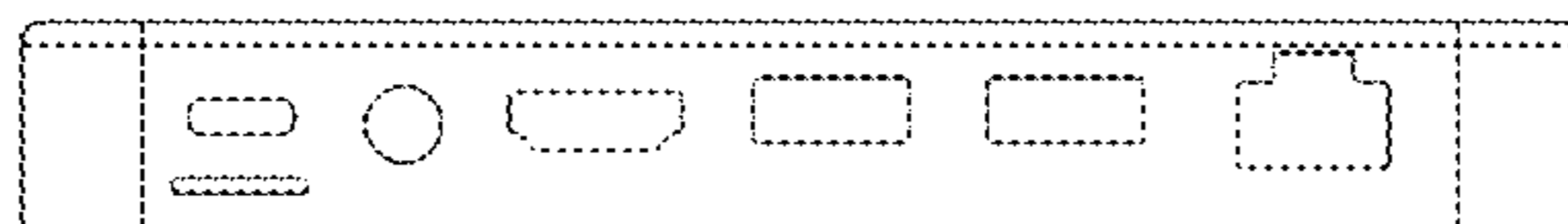
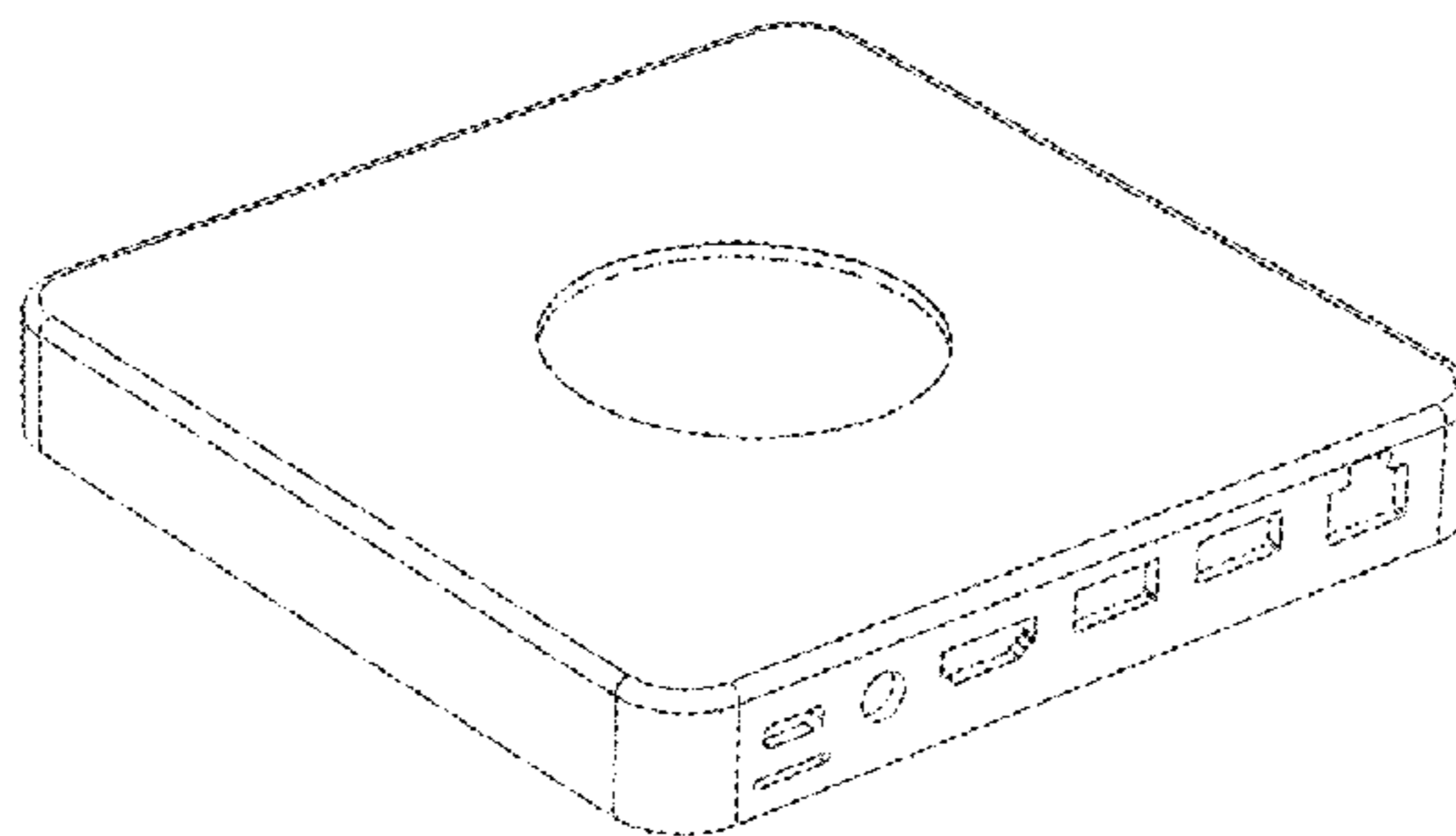
FIG. 1 is a top, back side perspective view for a portable wireless hub;
FIG. 2 is a back perspective view thereof shown larger for clarity;
FIG. 3 is a top view thereof shown larger for clarity;
FIG. 4 is a top, front side perspective thereof;
FIG. 5 is a back view thereof; and,
FIG. 6 is a side view thereof.

The broken dashed lines in the figures depicts a part of the portable wireless hub that forms no part of the claimed design, while all other broken lines consisting of uneven dashed lines define the boundary of the claim which extends to the boundary but does not include the boundary. All broken lines form no part of the claim.

1 Claim, 6 Drawing Sheets

(56) **References Cited**
U.S. PATENT DOCUMENTS

- D223,304 S * 4/1972 Doggart D10/118
- D294,231 S * 2/1988 Cameron, Jr. D10/106.6
- D446,209 S * 8/2001 Hickford D14/357
- 6,512,729 B2 * 1/2003 Shih G11B 33/022
720/648
- D480,372 S * 10/2003 Chen D14/203.3
- D487,460 S * 3/2004 Lee D14/368
- D508,899 S * 8/2005 Suzuki D14/125
- D510,566 S * 10/2005 Johannek D13/171



(56)

References Cited

U.S. PATENT DOCUMENTS

D596,626 S * 7/2009 Andre D14/240
 D597,535 S * 8/2009 Brennwald D14/240
 D598,013 S * 8/2009 Ju D14/240
 D601,583 S * 10/2009 Andre D14/496
 D602,891 S * 10/2009 Luo D14/125
 D604,729 S * 11/2009 Andre D14/314
 D613,283 S * 4/2010 Andre D14/314
 D618,676 S * 6/2010 Hui D14/300
 D621,397 S * 8/2010 Andre D14/314
 D631,051 S * 1/2011 DeFronzo D14/434
 D633,503 S * 3/2011 Bo D14/434
 D643,831 S * 8/2011 Chun D13/108
 D648,270 S * 11/2011 Jiang D13/103
 D650,377 S * 12/2011 Akana D14/314
 D660,834 S * 5/2012 Akana D14/314
 D675,173 S * 1/2013 Paradise D14/125
 D686,201 S * 7/2013 Lee D14/314
 D686,595 S * 7/2013 Andre D14/217
 D694,241 S * 11/2013 Cho D14/432
 D705,748 S * 5/2014 He D14/155
 D707,226 S * 6/2014 DePaula D14/357
 D710,824 S * 8/2014 Mackiewicz D14/214
 D718,271 S * 11/2014 McTague D14/203.1
 D720,347 S * 12/2014 Lo D14/348
 D723,022 S * 2/2015 Miles D14/253
 D723,023 S * 2/2015 Miles D14/253
 D724,462 S * 3/2015 Bould D10/106.2
 D726,035 S * 4/2015 Perez D10/65
 D726,690 S * 4/2015 Andre D14/217
 D730,754 S * 6/2015 Bould D10/106.6
 D740,286 S * 10/2015 Templeton D14/385
 D744,483 S * 12/2015 Barbu D14/358
 D749,577 S * 2/2016 Lin D14/357
 D750,992 S * 3/2016 Perez D10/104.1
 D751,515 S * 3/2016 Paredes D13/168
 9,318,915 B2 * 4/2016 Miller H02J 7/025

D756,990 S * 5/2016 Akana D14/314
 D759,012 S * 6/2016 Golden D10/50
 D763,262 S * 8/2016 Hallar D14/434
 D768,607 S * 10/2016 Altonen D14/240
 D772,221 S * 11/2016 Kacin D14/308
 D777,724 S * 1/2017 Sterzick D14/348
 D786,791 S * 5/2017 Jeong D13/108
 D789,339 S * 6/2017 Tang D14/240
 D796,434 S * 9/2017 Li D13/108
 D796,513 S * 9/2017 Feldstein D14/433
 D797,659 S * 9/2017 Uggla D13/103
 D797,712 S * 9/2017 Chang D14/240
 D797,739 S * 9/2017 Templeton D14/385
 D817,199 S * 5/2018 Farley D10/70
 2016/0360316 A1 * 12/2016 Akasaka H04R 3/04
 2017/0080286 A1 * 3/2017 Sullivan H04B 1/38
 2018/0012468 A1 * 1/2018 Fadell G08B 17/10

OTHER PUBLICATIONS

The wireless temperature acquisition terminal (CN 303238377). (Design—©Questel) orbit.com.[online PDF] 8 pgs. Publish Date Jun. 10, 2015. [Retrieved on May 16, 2018] <https://sobjprd.questel.fr/export/QPTUJ214/pdf2/25438ae3-2ee5-4504-9a9a-a5374b3e3f56-002801.pdf>.*
 Intelligent watch charger base (CN 303563453). (Design—©Questel) orbit.com.[online PDF] 8 pgs. Publish Date Jan. 20, 2016. [Retrieved on May 16, 2018] http://www.mobilebatterybase.com/photo/pl15945698-wooden_wireless_phone_charging_plug_square_shape_for_samsung_iphone_htc.jpg.*
 Blue teeth wireless audio receiver transmit adapter. (Design—©Questel) orbit.com.[online PDF] 4 pgs. Print Date May 17, 2017 [Retrieved on Sep. 4, 2018] <https://sobjprd.questel.fr/export/QPTUJ214/pdf2/92350de1-84c8-40ad-9fd1-ab566bcc173-192055.pdf>.*

* cited by examiner

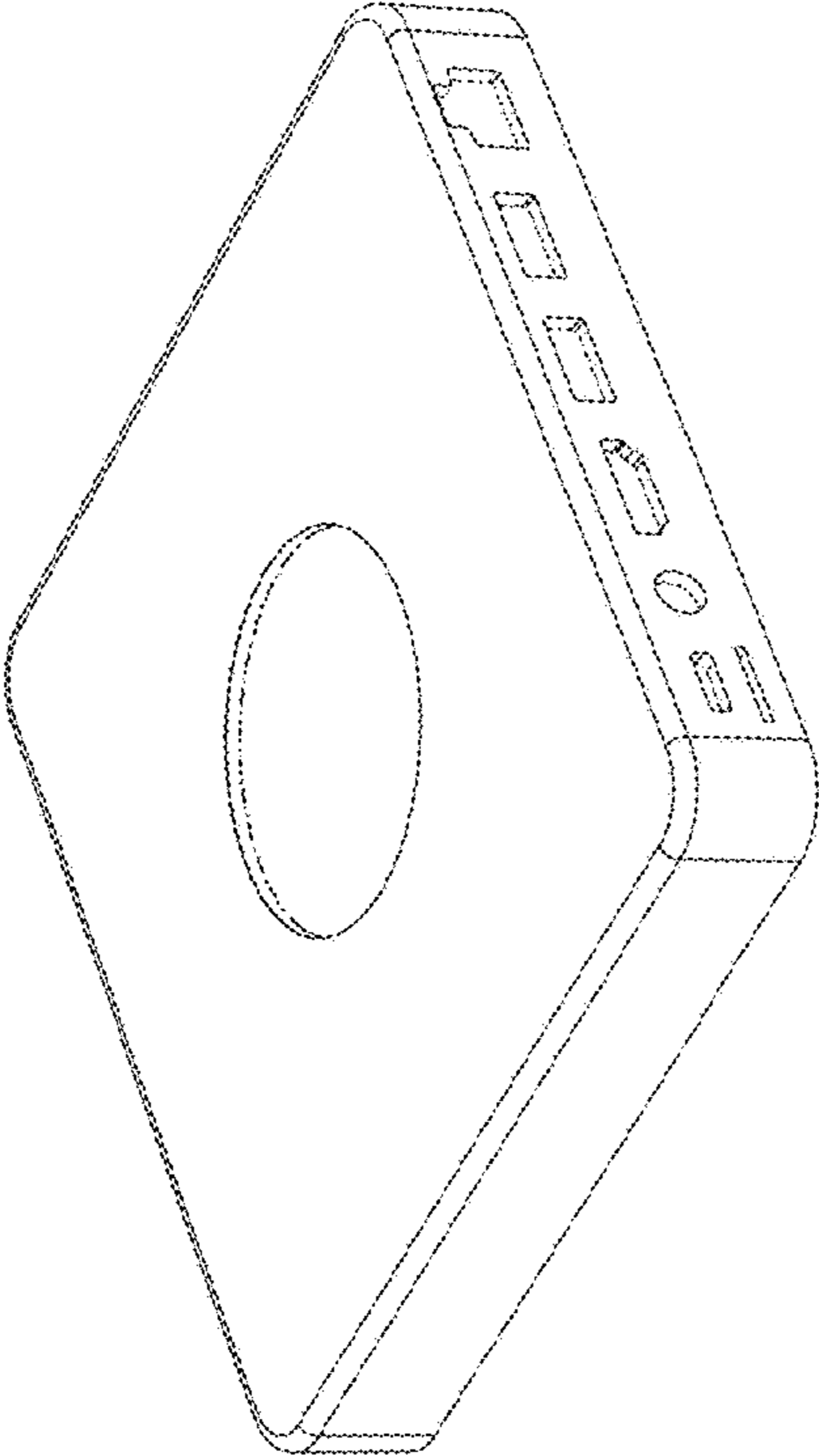


FIG. 1

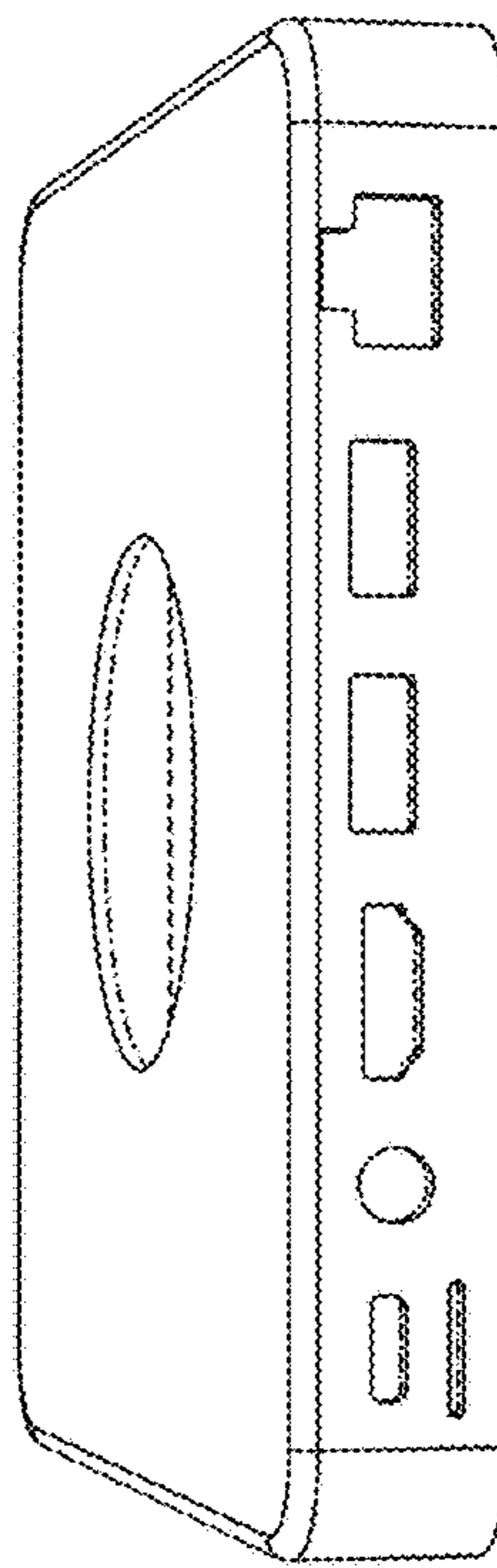


FIG. 2

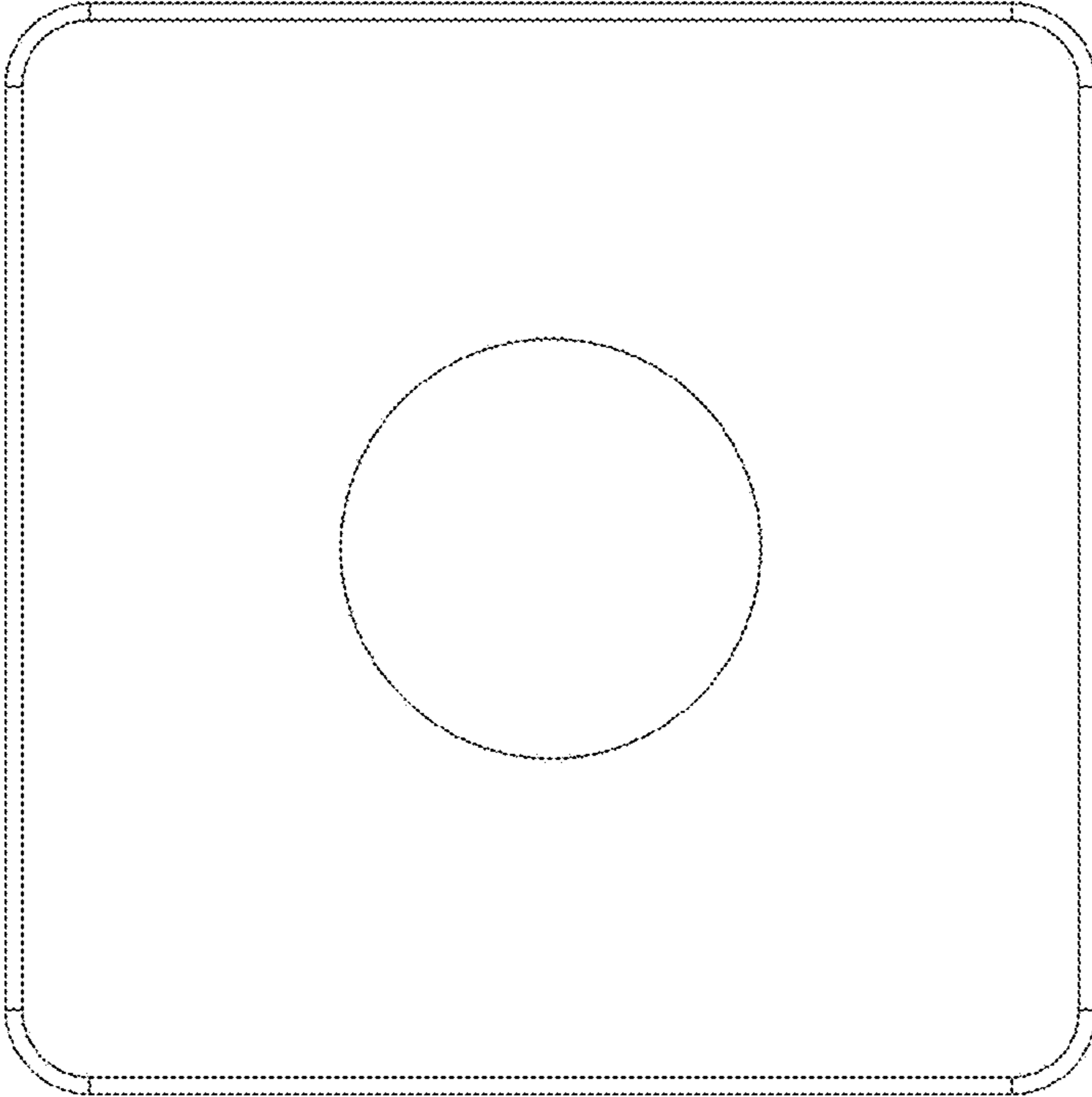


FIG. 3

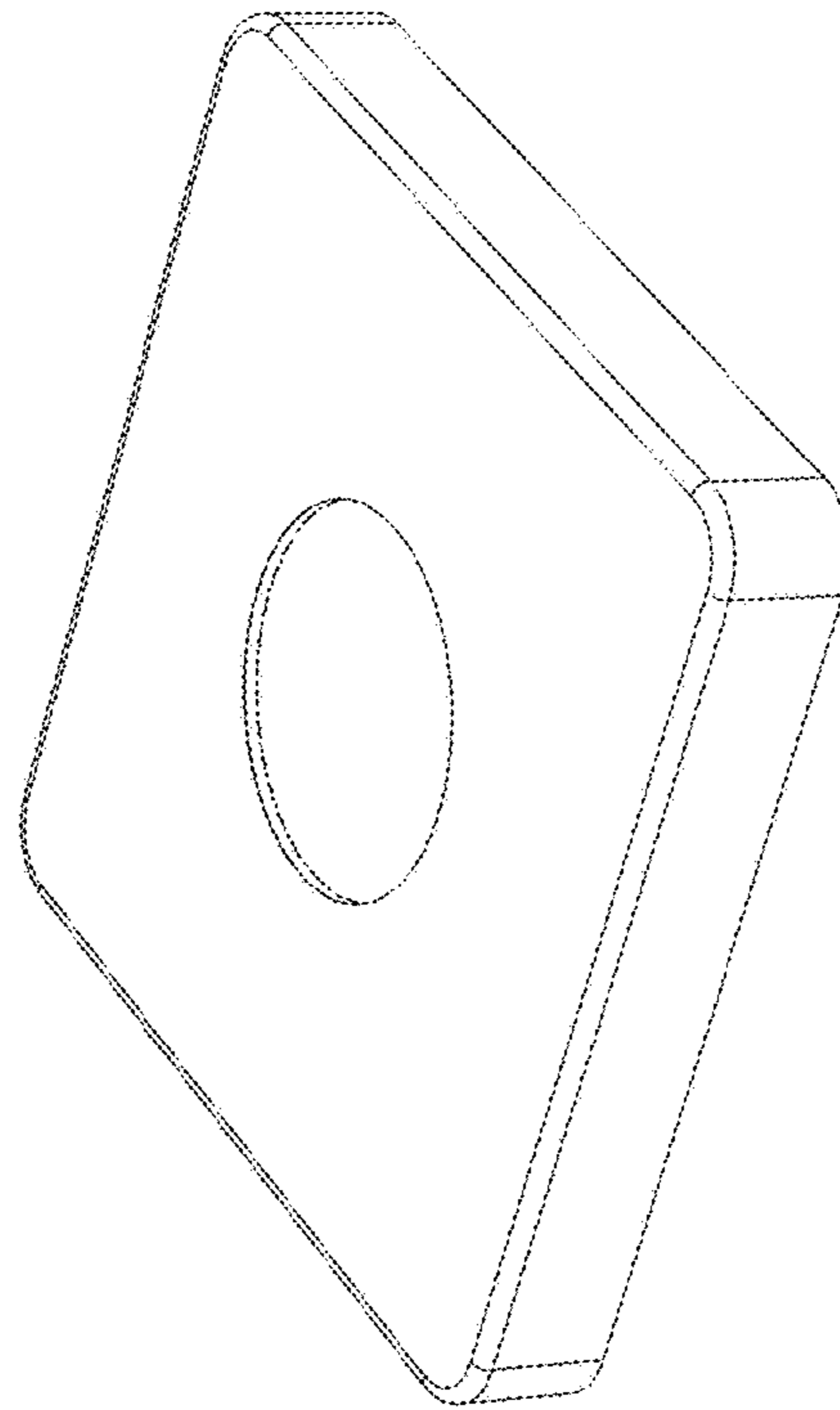


FIG. 4

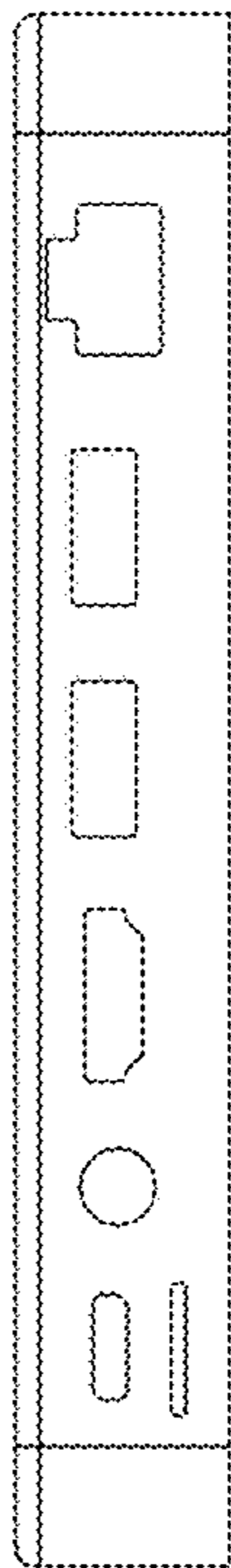


FIG. 5

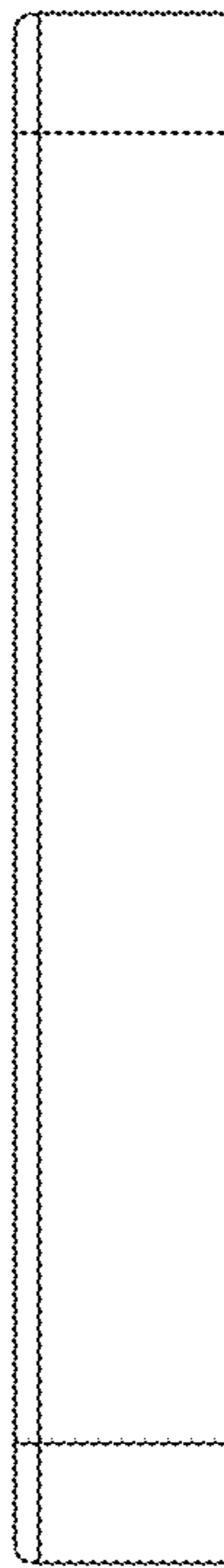


FIG. 6