



US00D844005S

(12) **United States Design Patent**
Murray et al.

(10) **Patent No.:** **US D844,005 S**
(45) **Date of Patent:** **** Mar. 26, 2019**

(54) **DEVICE FOR ILLUMINATION AND IMAGING OF A TARGET**

(71) Applicant: **Novadaq Technologies ULC**, Burnaby (CA)

(72) Inventors: **Gavin Michael Murray**, Vancouver (CA); **Gregory Vincent Browne**, Vancouver (CA); **James Elliott Cameron**, Victoria (CA)

(73) Assignee: **NOVADAQ TECHNOLOGIES ULC**, Burnaby (CA)

(**) Term: **15 Years**

(21) Appl. No.: **29/588,898**

(22) Filed: **Dec. 23, 2016**

(51) **LOC (11) Cl.** **14-02**

(52) **U.S. Cl.**
USPC **D14/428**

(58) **Field of Classification Search**
USPC D14/420, 426-430, 453, 346, 341, 347, D14/412; 358/473; 235/462.44, 462.46, 235/487, 472.01, 472.02; 16/110.1, 430, 16/431; 439/133, 135; 709/219, 201; D13/107, 184; D24/137, 138, 158, 180, D24/186, 209; 600/13, 17, 2, 3, 476, 600/474, 475
CPC G06K 7/00; G06K 7/08; G06K 7/10386; G06K 7/10801; H06K 7/10732; G06Q 20/20; A61B 1/0011; A61B 46/10; A61B 1/042; A61B 90/30; A61B 2090/309; A61B 5/0077; A61B 5/0408; G02B 27/0006; G02B 23/24; G02B 23/476; G02B 23/2492; G06B 23/22; H04N 5/2351; H04N 5/2354

See application file for complete search history.

(56) **References Cited**

U.S. PATENT DOCUMENTS

D542,802	S	*	5/2007	Woodcock	D14/426
D556,761	S	*	12/2007	MacGregor	D14/428
D558,206	S	*	12/2007	Watanabe	D14/428
D562,825	S	*	2/2008	Fitch	D14/426
D566,713	S	*	4/2008	Ah	D14/426
D570,843	S	*	6/2008	Mazzone	D14/426
D574,832	S	*	8/2008	MacGregor	D14/428
D588,596	S	*	3/2009	Mazzone	D14/426
D599,799	S	*	9/2009	Di Bari	D14/428
D603,408	S	*	11/2009	Fitch	D14/426
D606,076	S	*	12/2009	Di Bari	D14/428
D606,544	S	*	12/2009	Di Bari	D14/426
D614,625	S	*	4/2010	Fitch	D14/426
7,748,629	B2	*	7/2010	Brock	G06K 7/10801 235/462.11
7,823,789	B2	*	11/2010	Nunnink	G06K 7/10732 235/462.25

(Continued)

Primary Examiner — Ian Simmons

Assistant Examiner — Yolanda Robinson

(74) *Attorney, Agent, or Firm* — Morrison & Foerster LLP

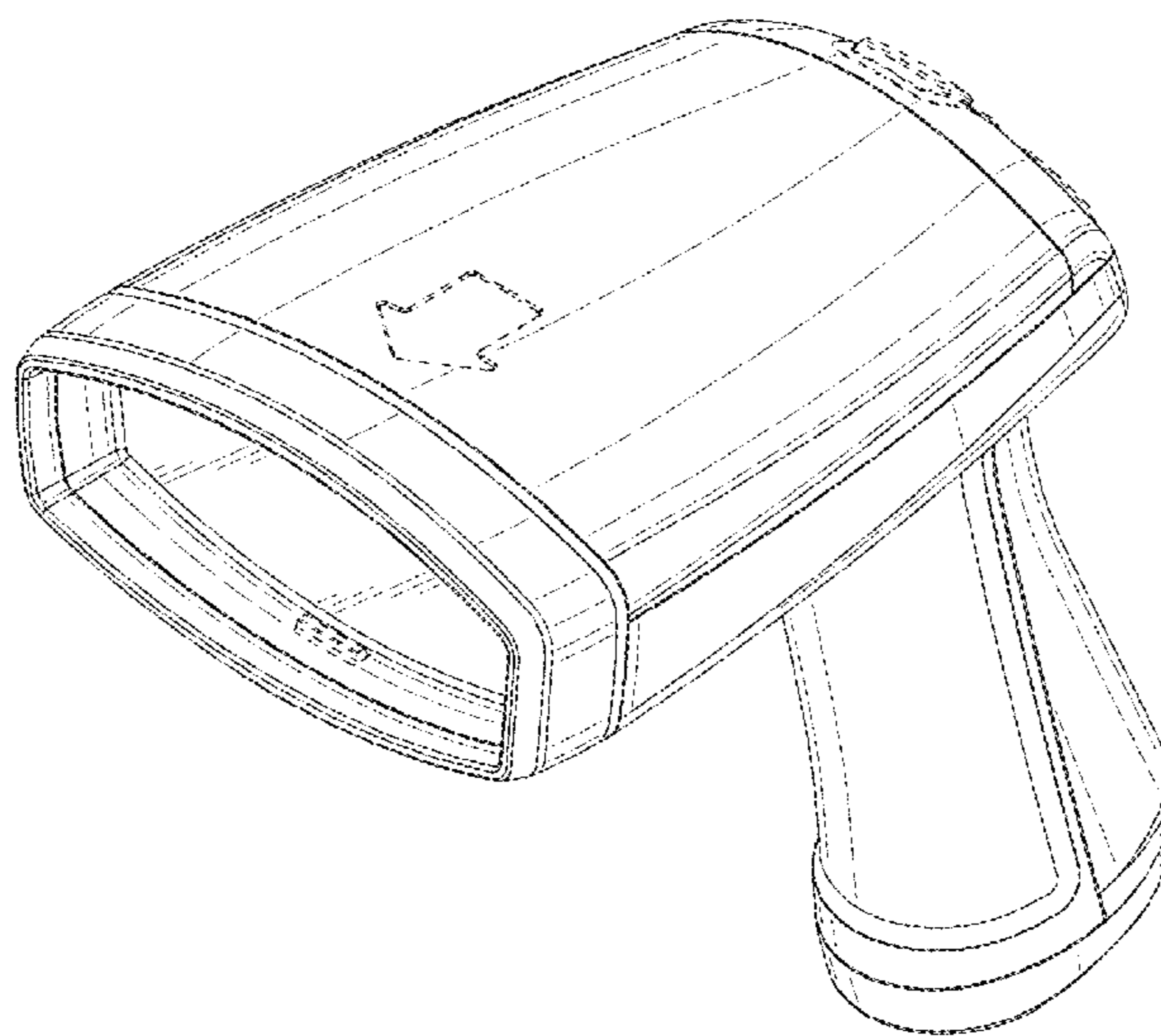
(57) **CLAIM**

We claim the ornamental design for a device for illumination and imaging of a target, as shown and described.

DESCRIPTION

FIG. 1 is a perspective view of a second embodiment of a device for illumination and imaging of a target showing our new design;
FIG. 2 is a front view of the second embodiment;
FIG. 3 is a rear view of the second embodiment;
FIG. 4 is a side view of the second embodiment;
FIG. 5 is a side view of the opposite side of FIG. 11;
FIG. 6 is a top view of the second embodiment; and,
FIG. 7 is a bottom view of the second embodiment.
The details shown in broken lines form no part of the claimed design.

1 Claim, 7 Drawing Sheets



(56)

References Cited

U.S. PATENT DOCUMENTS

8,157,177	B1 *	4/2012	O'Donnell	G06K 7/10386	235/462.21
8,167,209	B2 *	5/2012	Joseph	G06K 7/10722	235/462.11
8,186,592	B2 *	5/2012	Fletcher	F16M 11/10	235/454
8,282,006	B2 *	10/2012	Longacre, Jr.	G06K 7/10712	235/462.01
D677,258	S *	3/2013	Mistkawi	D14/426	
D682,277	S *	5/2013	Tasselli	D14/426	
D719,574	S *	12/2014	Alegiani	D14/426	
D723,563	S *	3/2015	Alegiani	D14/426	
D723,564	S *	3/2015	Lim	D14/428	
D726,186	S *	4/2015	Jenkins	D14/426	
D734,339	S *	7/2015	Zhou	D14/428	
9,610,021	B2 *	4/2017	Dvorsky	A61B 5/0059	
D791,137	S *	7/2017	Wang	D14/428	
D808,076	S *	1/2018	Gabriele	D28/44.1	
D813,400	S *	3/2018	Bechtel	D24/186	
10,025,091	B2 *	7/2018	Dahmen	G02B 27/0006	
D826,234	S *	8/2018	Zhou	D14/428	
2001/0045466	A1 *	11/2001	Bontly	G06K 7/10881	235/472.01
2002/0148902	A1 *	10/2002	Schlieffers	G06K 7/10881	235/472.01
2003/0226895	A1 *	12/2003	Havens	G06K 7/10584	235/462.22
2004/0020990	A1 *	2/2004	Havens	G06K 7/10574	235/472.01
2004/0134990	A1 *	7/2004	Fitch	G06K 7/10881	235/472.01
2006/0082871	A1 *	4/2006	Bolland	G02B 7/182	359/402
2008/0217411	A1 *	9/2008	Ledwith	G06K 7/10881	235/472.02
2009/0218405	A1 *	9/2009	Joseph	G06K 7/10732	235/462.42
2010/0308116	A1 *	12/2010	Sani	A45C 11/00	235/472.01
2010/0321501	A1 *	12/2010	Arndt	H04N 5/2252	348/162
2011/0024506	A1 *	2/2011	Nunnink	G06K 7/10732	235/472.01
2011/0037844	A1 *	2/2011	Johnson	A61N 5/0613	348/77
2011/0290889	A1 *	12/2011	Tamburrini	G06K 7/10881	235/470
2012/0256002	A1 *	10/2012	O'Donnell	G06K 7/10386	235/472.01
2012/0319645	A1 *	12/2012	O'Donnell	H02J 7/025	320/108
2013/0008964	A1 *	1/2013	Hawley	G06K 7/10851	235/472.01
2013/0321638	A1 *	12/2013	Stratmann	G06T 3/4061	348/162
2015/0381909	A1 *	12/2015	Butte	H04N 5/332	348/68
2018/0234603	A1 *	8/2018	Moore	A61B 1/043	

* cited by examiner

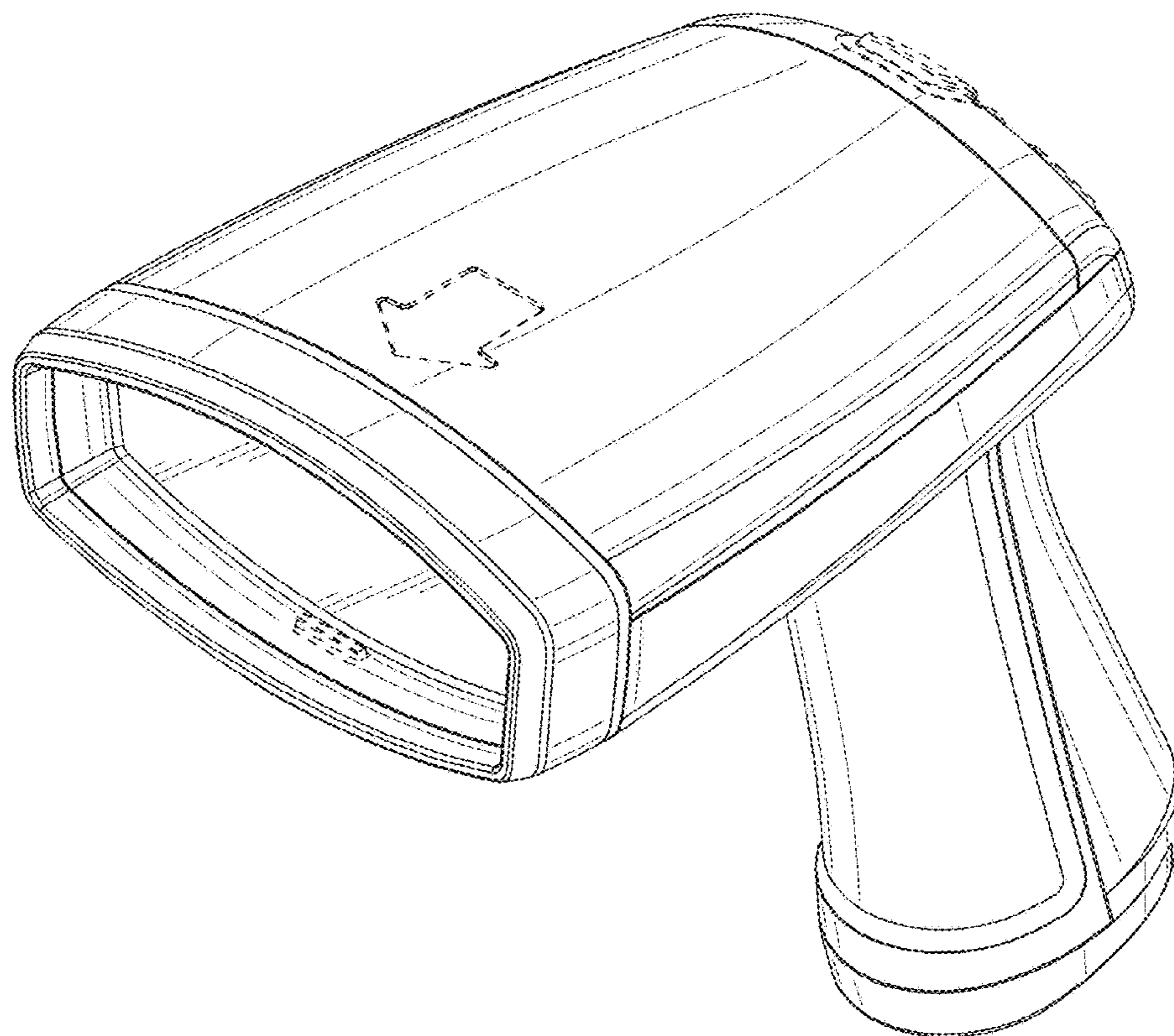


FIG. 1

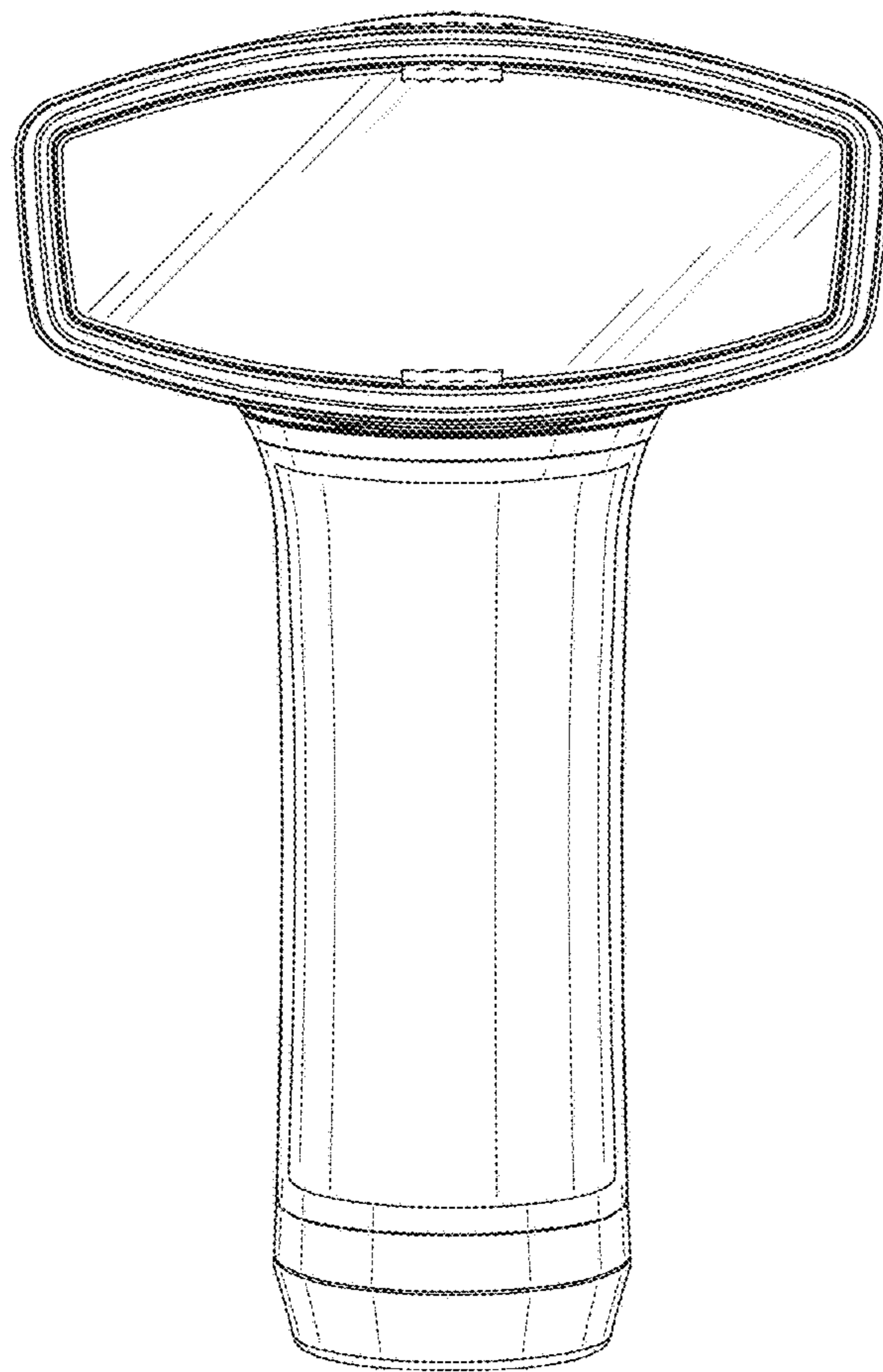


FIG. 2

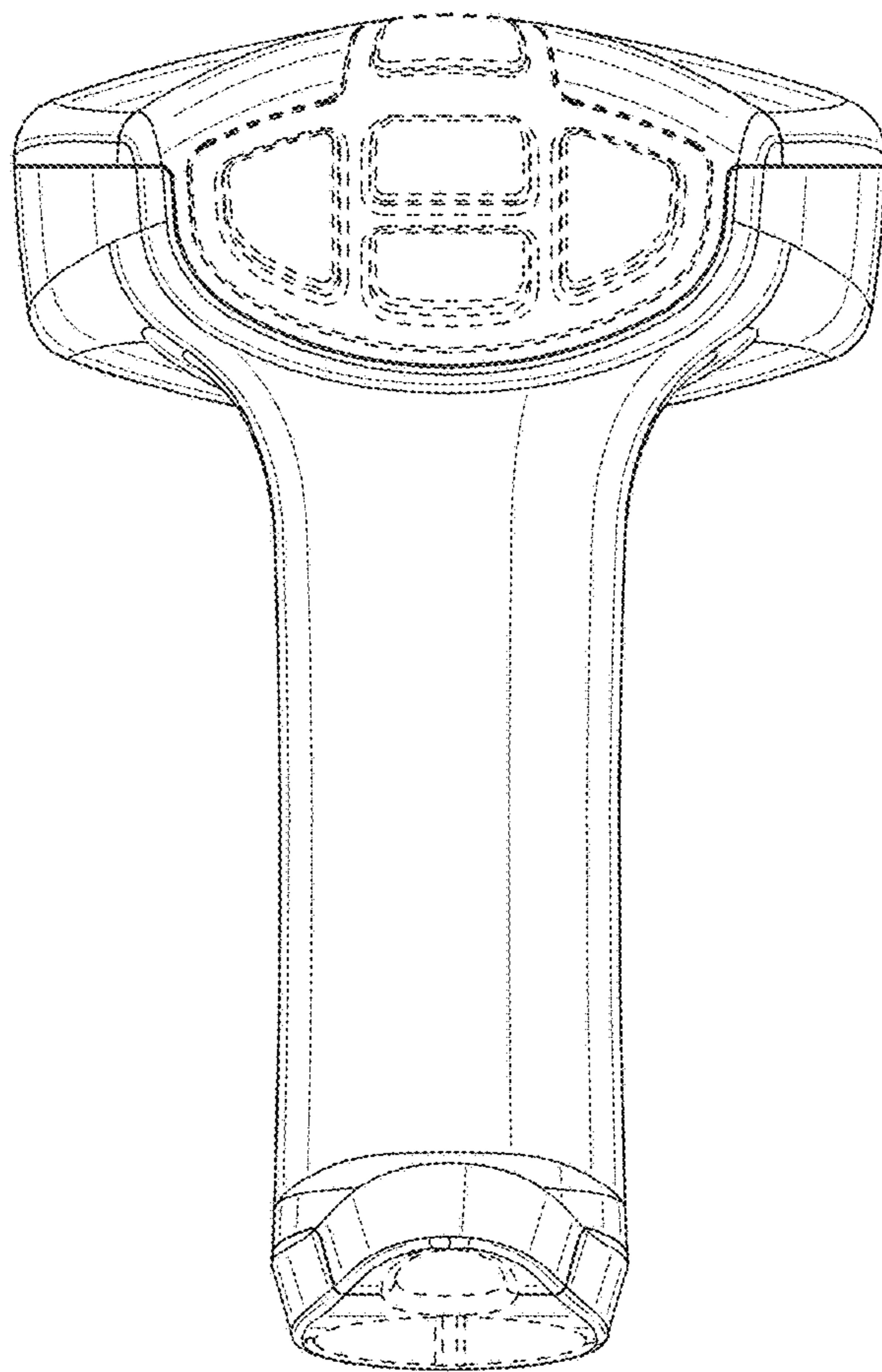


FIG. 3

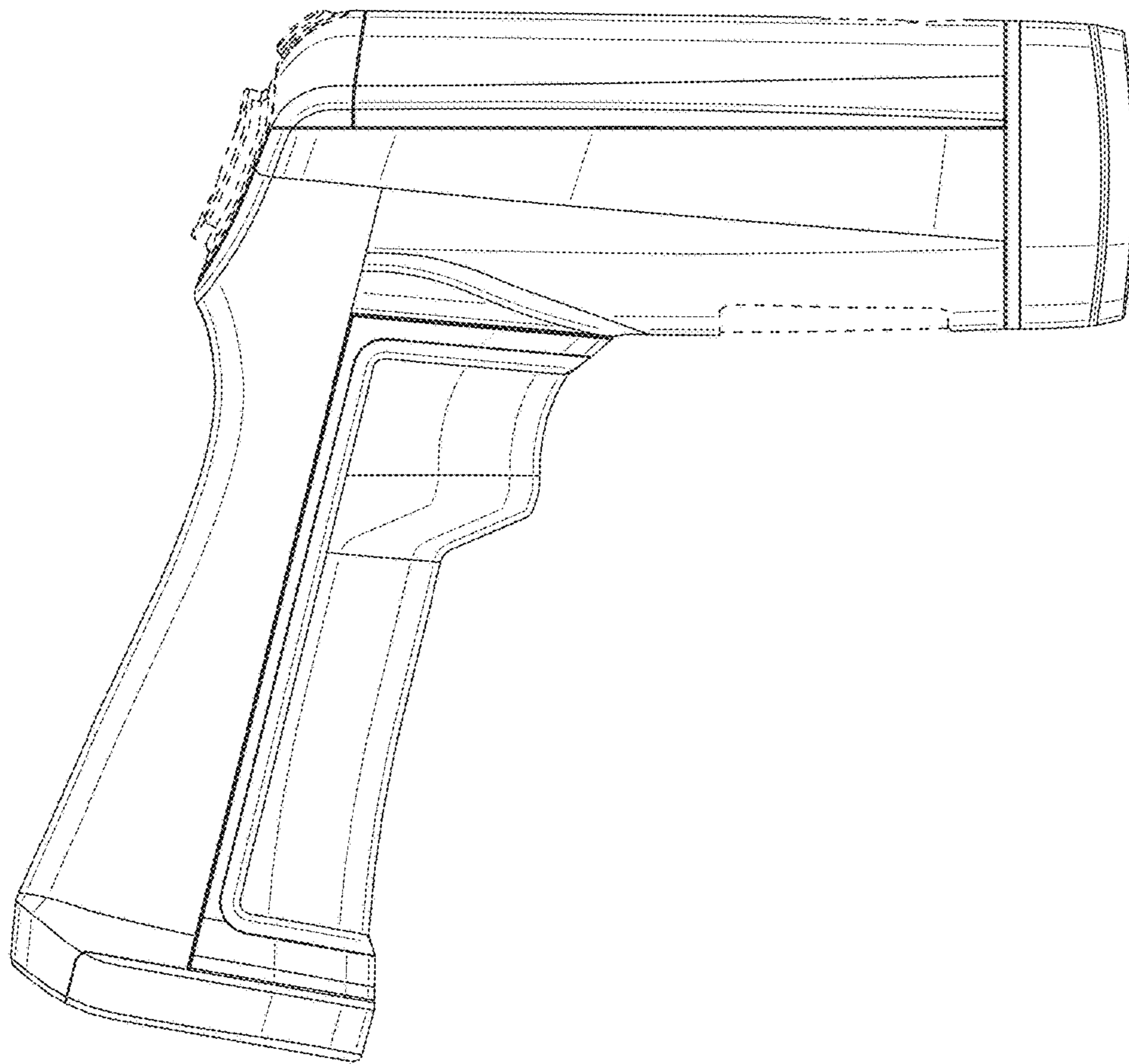


FIG. 4

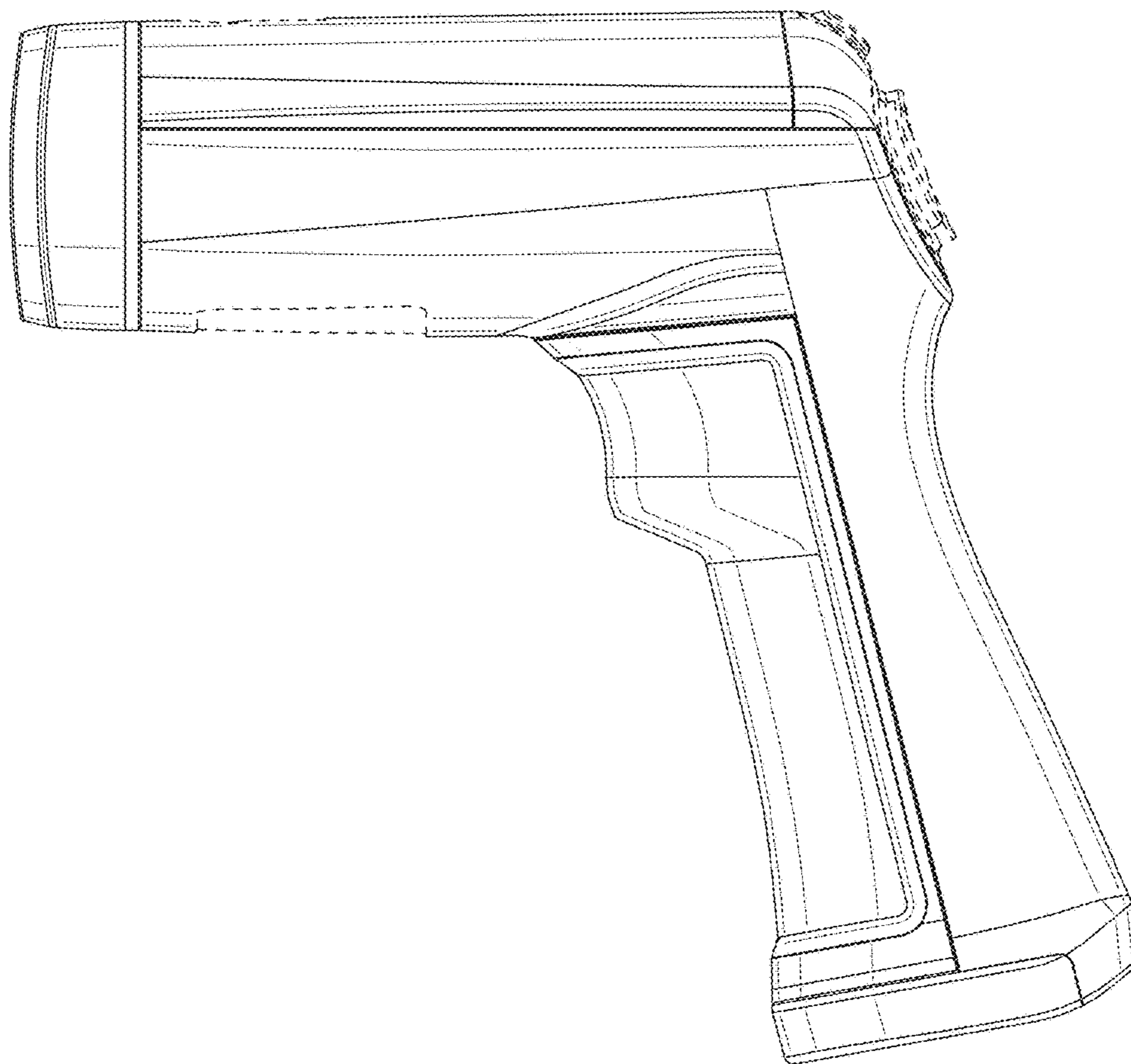


FIG. 5

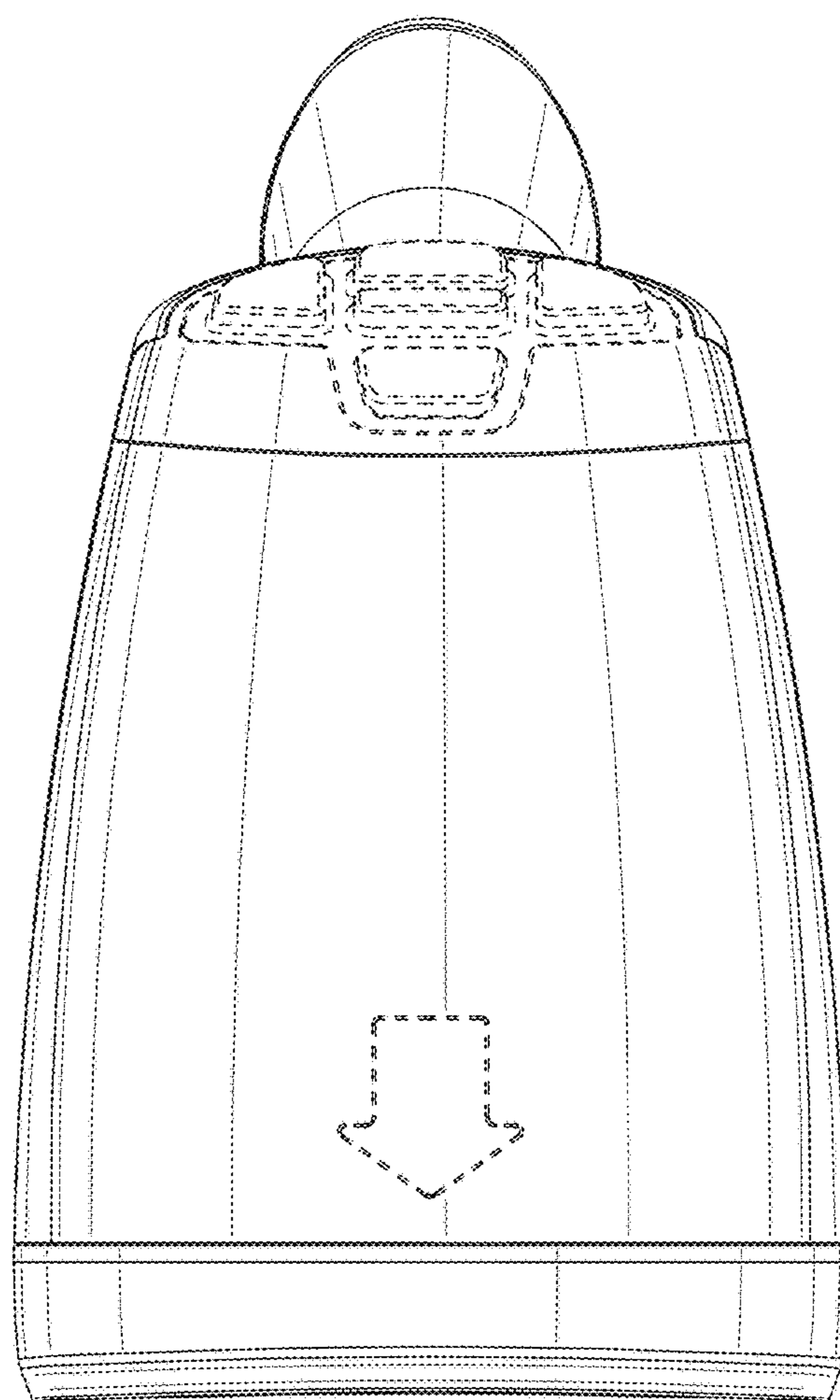


FIG. 6

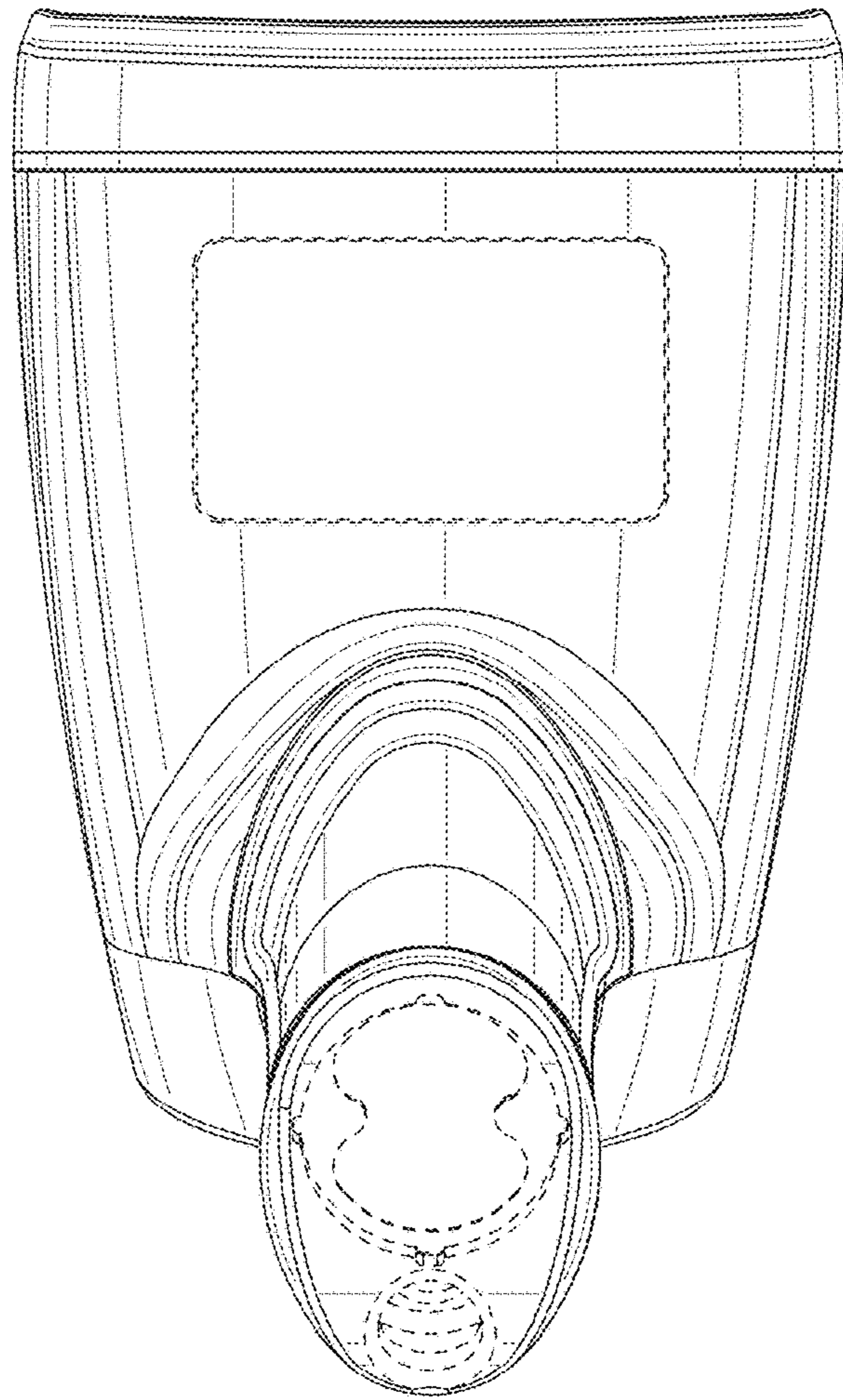


FIG. 7