



US00D844004S

(12) **United States Design Patent**
Ishida et al.

(10) **Patent No.:** **US D844,004 S**
(45) **Date of Patent:** **** Mar. 26, 2019**

(54) **SCANNER**

(71) Applicant: **PFU LIMITED**, Kahoku-shi, Ishikawa (JP)

(72) Inventors: **Shoya Ishida**, Kahoku (JP); **Satoshi Kuroda**, Kahoku (JP); **Keisuke Kokuma**, Kahoku (JP)

(73) Assignee: **PFU LIMITED** (JP)

(**) Term: **15 Years**

(21) Appl. No.: **29/632,996**

(22) Filed: **Jan. 11, 2018**

(30) **Foreign Application Priority Data**

Jul. 31, 2017 (JP) 2017-016478

(51) **LOC (11) Cl.** **14-02**

(52) **U.S. Cl.**
USPC **D14/422**

(58) **Field of Classification Search**
USPC D14/421-425; D18/40, 36-39, 41, D18/44-56; 235/462, 455, 470, 462.43, 235/482, 483; 358/474, 486, 488, 496, 358/498, 452, 449, 451, 453.1, 1.13; 318/685, 696; 355/81, 75; 399/405, 367, 399/379, 380; 382/217; 715/209, 222, 715/226, 274; 400/613, 613.1-613.4, 400/690.1-690.4, 691-694
CPC H04N 1/00; H04N 1/12; H04N 1/00013; H04N 1/00015; H04N 1/00018; H04N 1/00026; H04N 1/00557; H04N 1/00564; H04N 1/00567; H04N 1/0057; H04N 1/00572; H04N 1/00586; H04N 1/00588; H04N 1/00591; H04N 1/00594; H04N 1/00596; H04N 1/00604; H04N 1/00519; H04N 1/00559; H04N 1/1013; H04N 1/10; H04N 1/00551; H04N 1/00278; H04N 2201/0456; H04N 2201/0446; H04N 2201/00; H04N 2201/0094; H04N

1/00525; G03G 15/0142; G03G 15/605; G03G 15/602; B65H 5/26; B65H 5/30; B65H 7/00; B65H 2402/515; B65H 2402/31; B65H 2511/20; B65H 2511/414; B65H

(Continued)

(56) **References Cited**

U.S. PATENT DOCUMENTS

D258,959 S * 4/1981 Clayton D18/54
5,017,033 A * 5/1991 Hermann B41J 11/54
400/691

(Continued)

FOREIGN PATENT DOCUMENTS

JP 1436867 S 3/2012
JP 1536784 S 11/2015
JP 1569082 S 5/2017

Primary Examiner — Susan Moon Lee

(74) *Attorney, Agent, or Firm* — RatnerPrestia

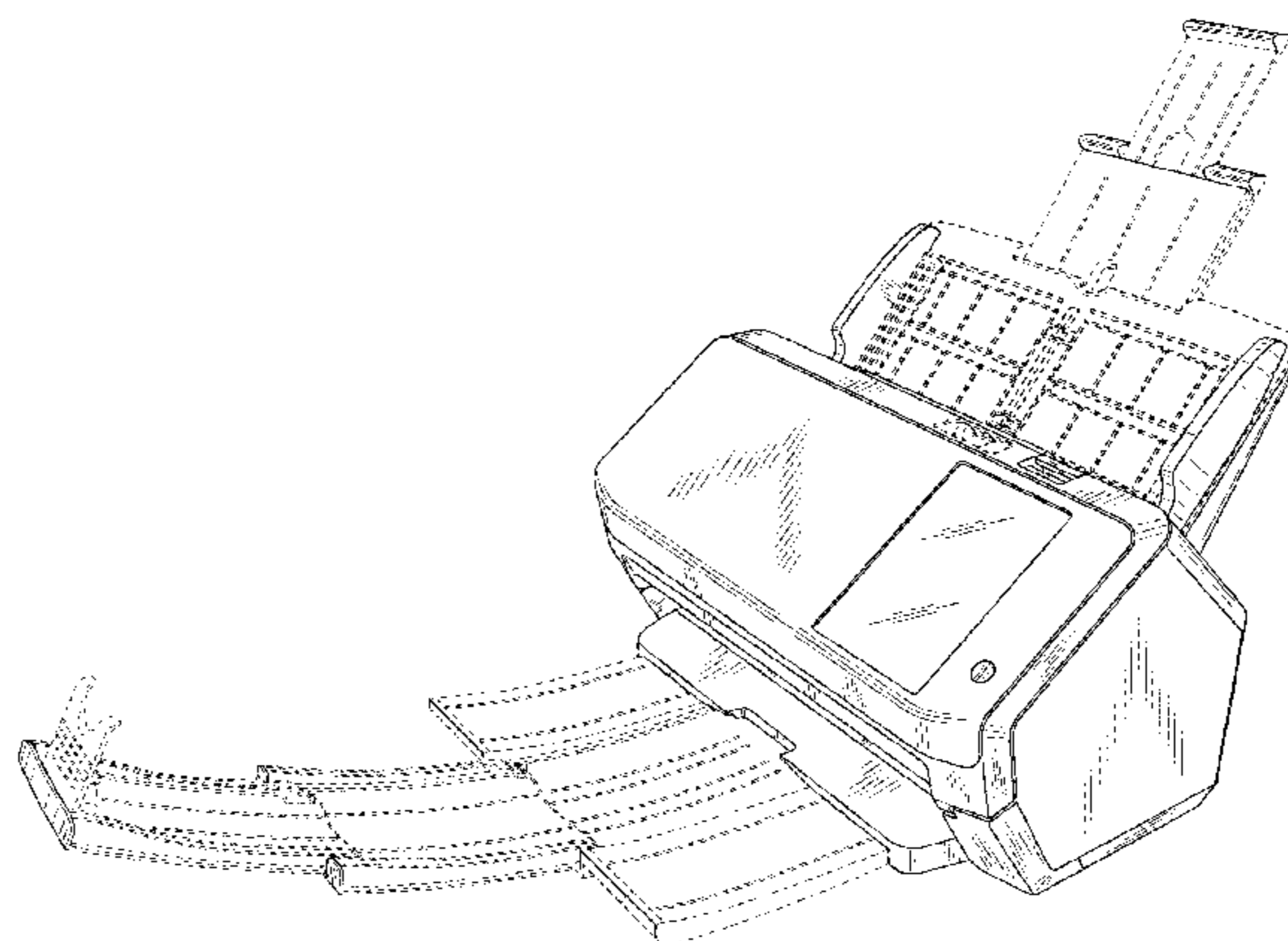
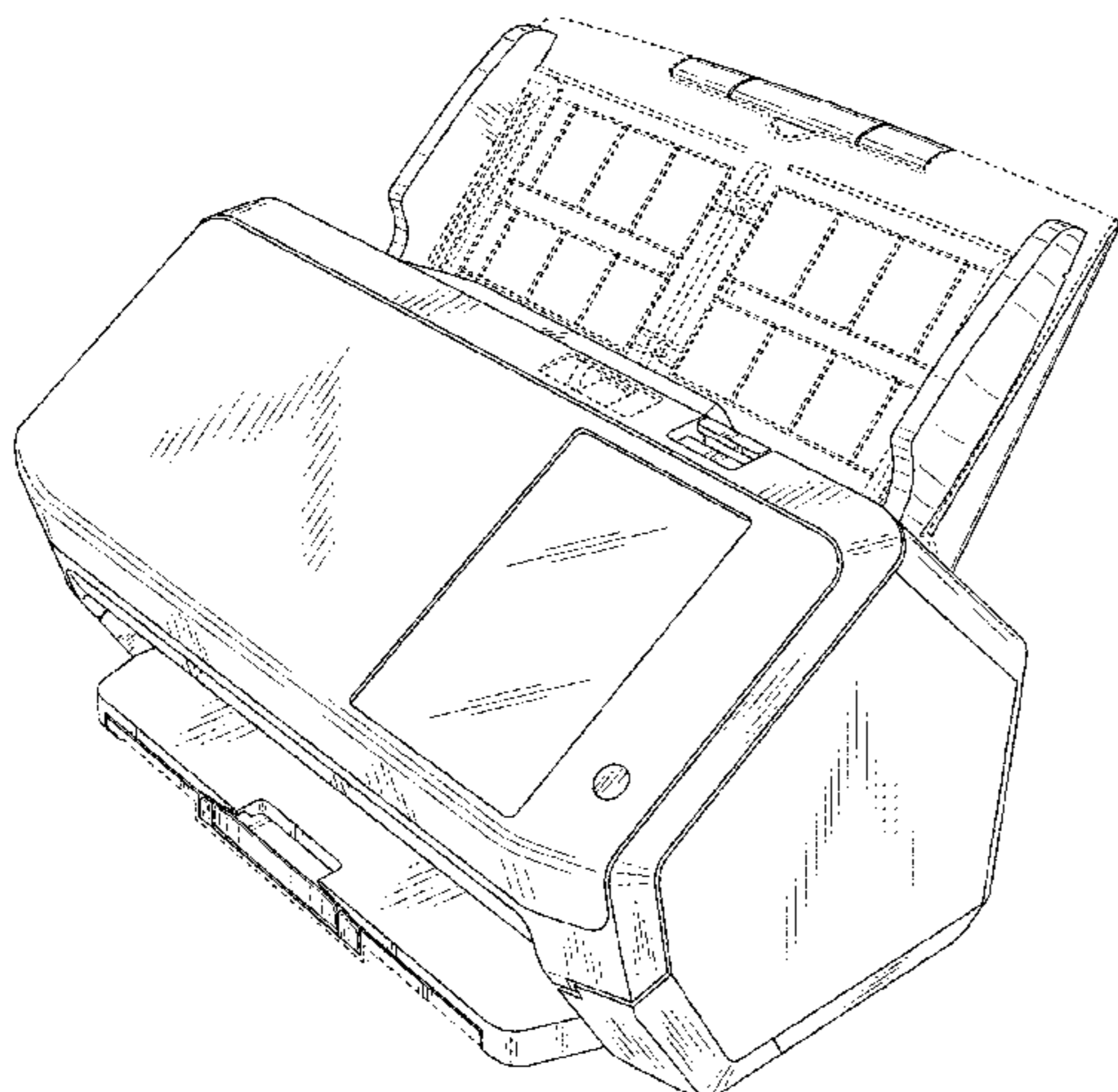
(57) **CLAIM**

The ornamental design for a scanner, as shown and described.

DESCRIPTION

FIG. 1 is a perspective view of a scanner showing our new design;
FIG. 2 is a front view thereof;
FIG. 3 is a rear view thereof;
FIG. 4 is a right side view thereof;
FIG. 5 is a left side view thereof;
FIG. 6 is a top plan view thereof;
FIG. 7 is a bottom plan view thereof; and,
FIG. 8 is another perspective view thereof in open position. The broken lines in the drawings are for the purpose of illustrating unclaimed portions of the scanner and form no part of the claimed design.

1 Claim, 5 Drawing Sheets



(58) **Field of Classification Search**

CPC 2511/00194; B65H 2511/00198; B65H
2511/00202; B65H 2511/00206; B65H
2301/00; B65H 2220/04; B65H 3/5261;
B65H 2513/42

See application file for complete search history.

(56) **References Cited**

U.S. PATENT DOCUMENTS

5,187,374 A * 2/1993 Rogers B41J 13/32
250/205
D370,471 S * 6/1996 Au D14/422
6,040,919 A * 3/2000 Iwata H04N 1/00525
358/400
D422,570 S * 4/2000 Kobayashi D14/509
D475,052 S * 5/2003 Chujou D14/422
D479,555 S * 9/2003 Sakai D18/50
D518,826 S * 4/2006 Chujou D14/422
D549,705 S * 8/2007 Sugitani D14/422
D609,711 S * 2/2010 Kuroda D14/422
D610,146 S * 2/2010 Kuroda D14/422
D610,147 S * 2/2010 Kuroda D14/422
D610,148 S * 2/2010 Kuroda D14/422
D610,149 S * 2/2010 Kuroda D14/422
D610,150 S * 2/2010 Kuroda D14/422
D610,151 S * 2/2010 Kuroda D14/422
D610,153 S * 2/2010 Kuroda D14/422
D610,154 S * 2/2010 Kuroda D14/422
D610,155 S * 2/2010 Kuroda D14/422
D616,889 S * 6/2010 Kuroda D14/422
D619,588 S * 7/2010 Kuroda D14/422
D619,589 S * 7/2010 Kuroda D14/422
D631,050 S * 1/2011 Iliffe-Moon D14/422
D632,295 S * 2/2011 Kuroda D14/422
D638,545 S * 5/2011 Okawa D24/186
D642,179 S * 7/2011 Kuroda D14/422
D669,080 S * 10/2012 Iwai D14/422
D669,081 S * 10/2012 Iwai D14/422
D669,526 S * 10/2012 Sakurai D18/50
D687,436 S * 8/2013 Penke D14/422
D689,866 S * 9/2013 Anzai D14/422
D696,339 S * 12/2013 Hasui D18/34.3
D700,908 S * 3/2014 Taniho D14/422
8,699,097 B2 * 4/2014 Kozakura H04N 1/00347
358/474
D713,845 S * 9/2014 Taniho D14/422
D716,305 S * 10/2014 Tani D14/422
D719,168 S * 12/2014 Tani D14/422
D723,562 S * 3/2015 Inada D14/422
D758,369 S * 6/2016 Kuroda D14/422
D766,246 S * 9/2016 Inada D14/422
D776,118 S * 1/2017 Ishida D14/422
D783,023 S * 4/2017 Kuroda D14/422
D788,110 S * 5/2017 Kuroda D14/422

D794,640 S * 8/2017 Shigeno D14/422
D797,744 S * 9/2017 Tan D14/422
D813,871 S * 3/2018 Egami D14/422
2001/0015829 A1 * 8/2001 Veigl H04N 1/00538
358/474
2007/0188818 A1 * 8/2007 Westcott H04N 1/00525
358/296
2007/0217799 A1 * 9/2007 Otsubo G03G 21/20
399/44
2008/0001343 A1 * 1/2008 Kato H04N 1/00525
271/3.14
2008/0252922 A1 * 10/2008 Ikegami H04L 63/083
358/1.15
2009/0230611 A1 * 9/2009 Ngai H04N 1/00525
271/145
2010/0053701 A1 * 3/2010 Yoshida H04N 1/00525
358/474
2010/0060948 A1 * 3/2010 Yoshida H04N 1/00519
358/474
2010/0208977 A1 * 8/2010 Imae G06K 9/18
382/140
2012/0248687 A1 * 10/2012 Takahata B65H 3/063
271/253
2013/0056924 A1 * 3/2013 Mizuno B65H 1/00
271/162
2013/0057932 A1 * 3/2013 Mukai H04N 1/00533
358/498
2013/0134667 A1 * 5/2013 Nakayama B65H 5/06
271/275
2013/0135697 A1 * 5/2013 Ukai B65H 3/5238
358/498
2013/0163056 A1 * 6/2013 Hanayama H04N 1/00013
358/474
2013/0222867 A1 * 8/2013 Tomita H04N 1/00013
358/498
2014/0054849 A1 * 2/2014 Morikawa B65H 7/125
271/264
2014/0054850 A1 * 2/2014 Umi B65H 5/00
271/264
2014/0061998 A1 * 3/2014 Kasashima B65H 5/06
271/10.11
2014/0063573 A1 * 3/2014 Yonemura H04N 1/00602
358/498
2014/0077440 A1 * 3/2014 Umi B65H 3/0661
271/109
2017/0043968 A1 * 2/2017 Nagai B65H 1/266
2017/0267476 A1 * 9/2017 Miyagi H04N 1/00602
2017/0279991 A1 * 9/2017 Shiota B65H 3/06
2018/0007221 A1 * 1/2018 Mokuo H04N 1/00631
2018/0170695 A1 * 6/2018 Kitsuki B65H 3/66
2018/0176398 A1 * 6/2018 Harada B65H 29/70
2018/0179006 A1 * 6/2018 Kogi B65H 3/063
2018/0194579 A1 * 7/2018 Harada B65H 3/523

* cited by examiner

FIG. 1

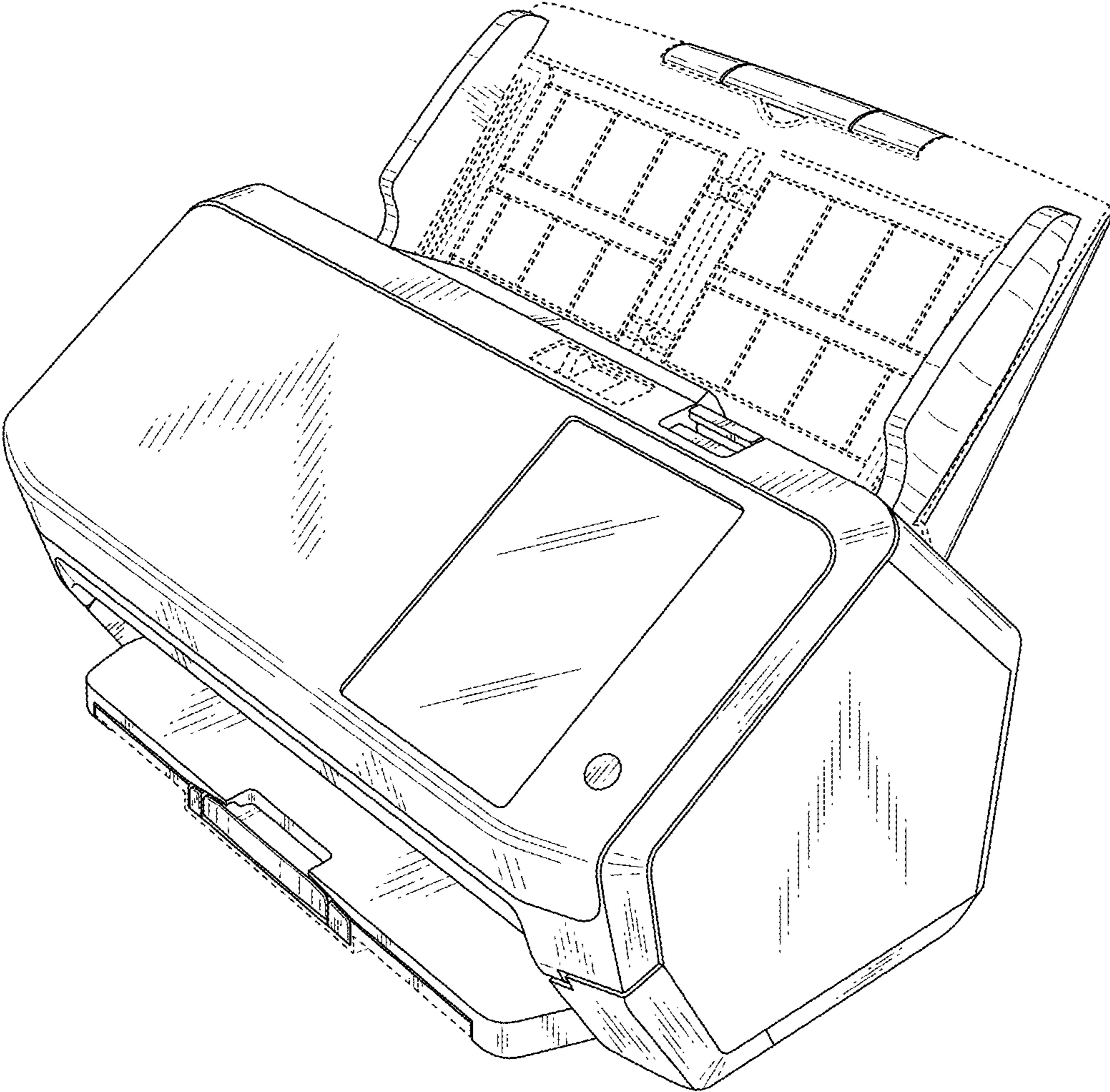


FIG. 2

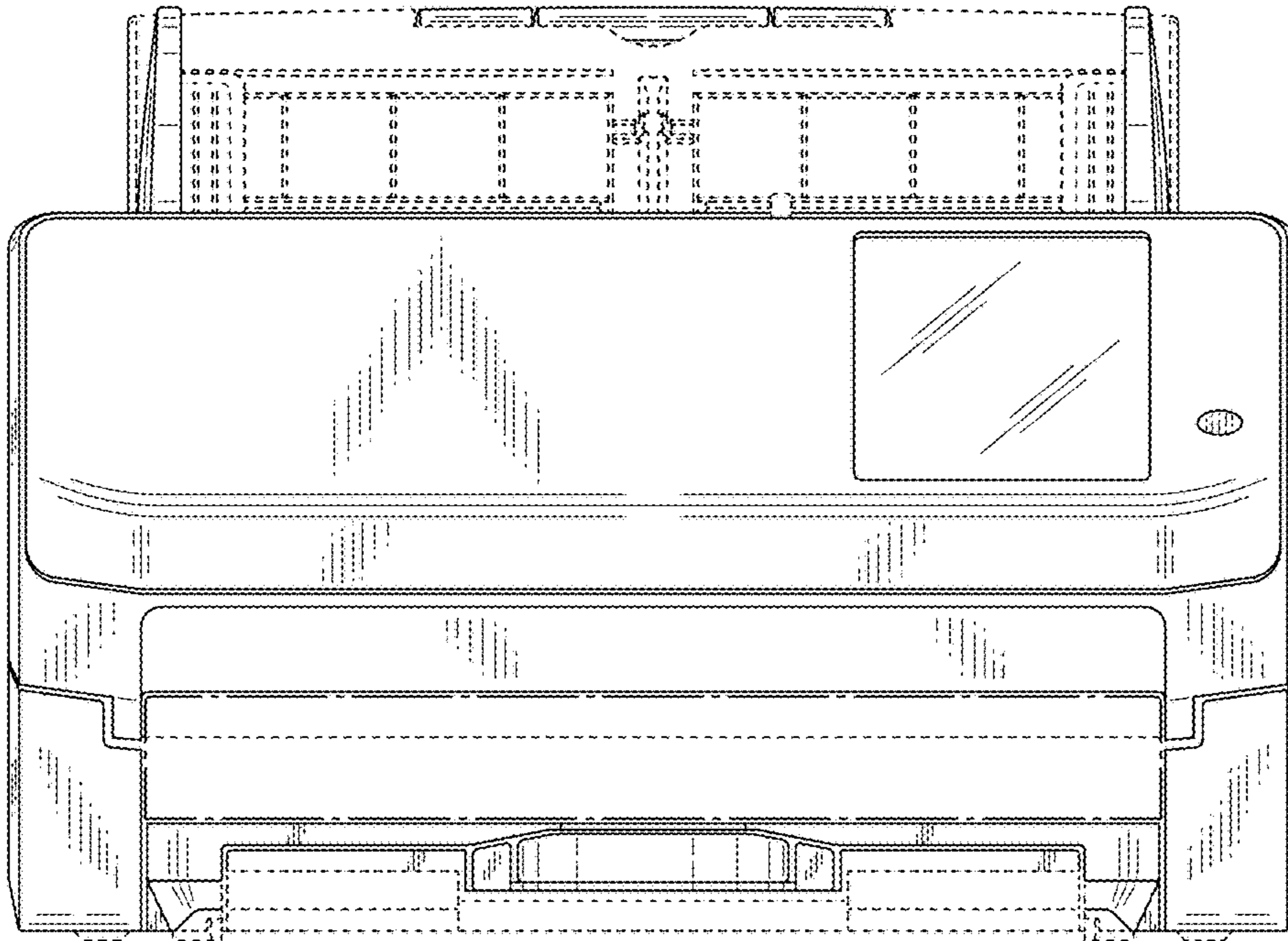


FIG. 3

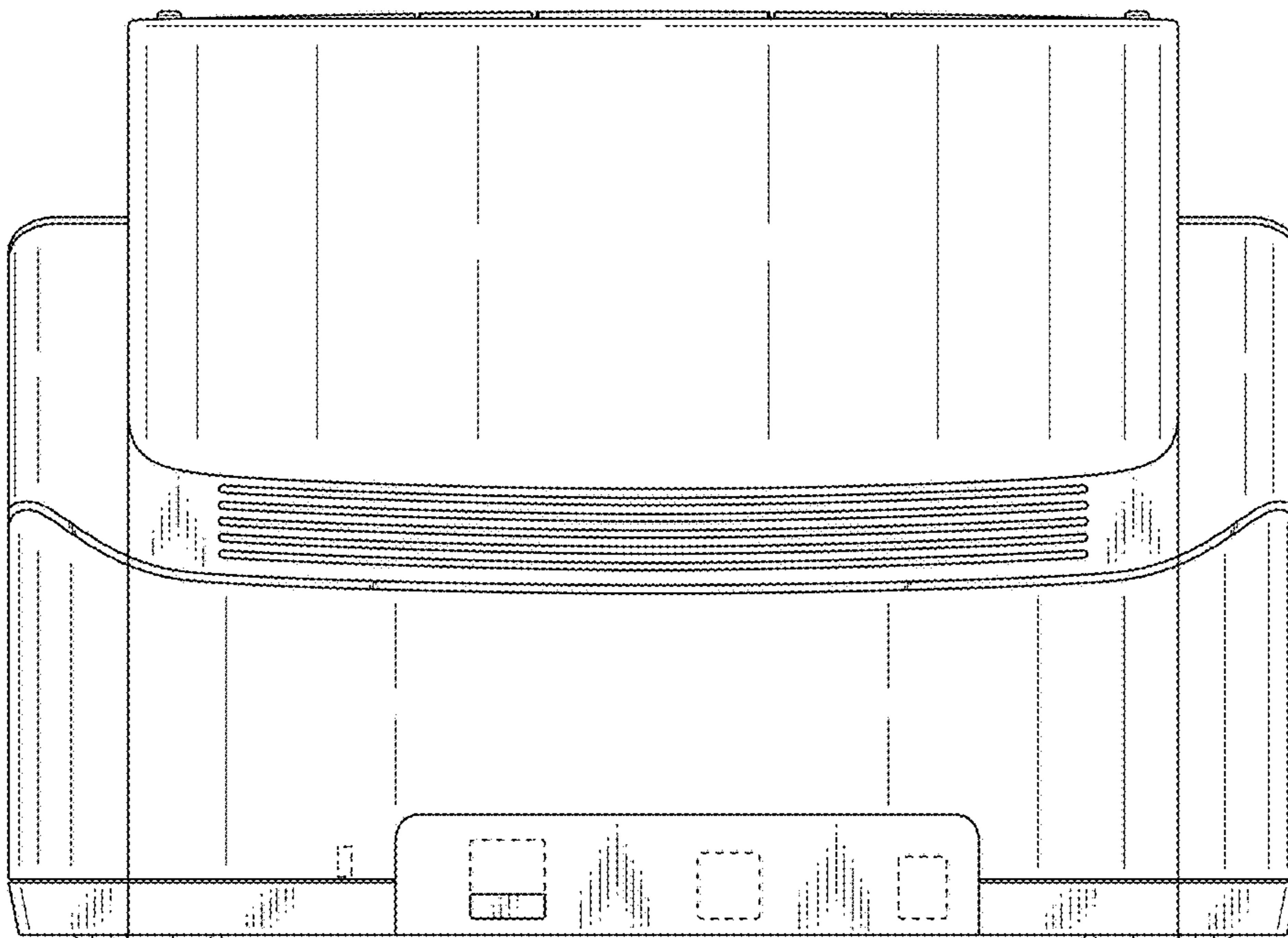


FIG. 4

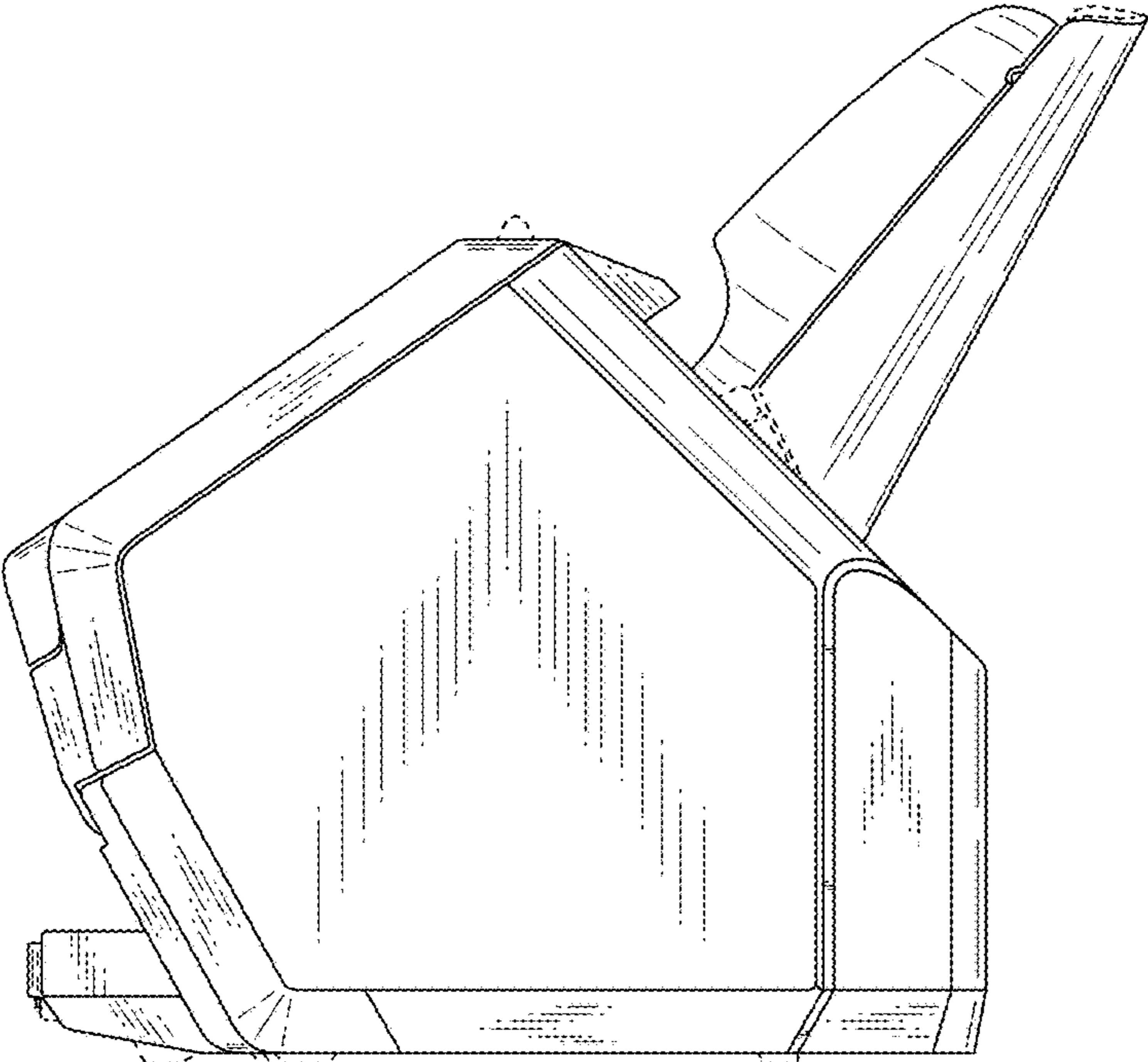


FIG. 5

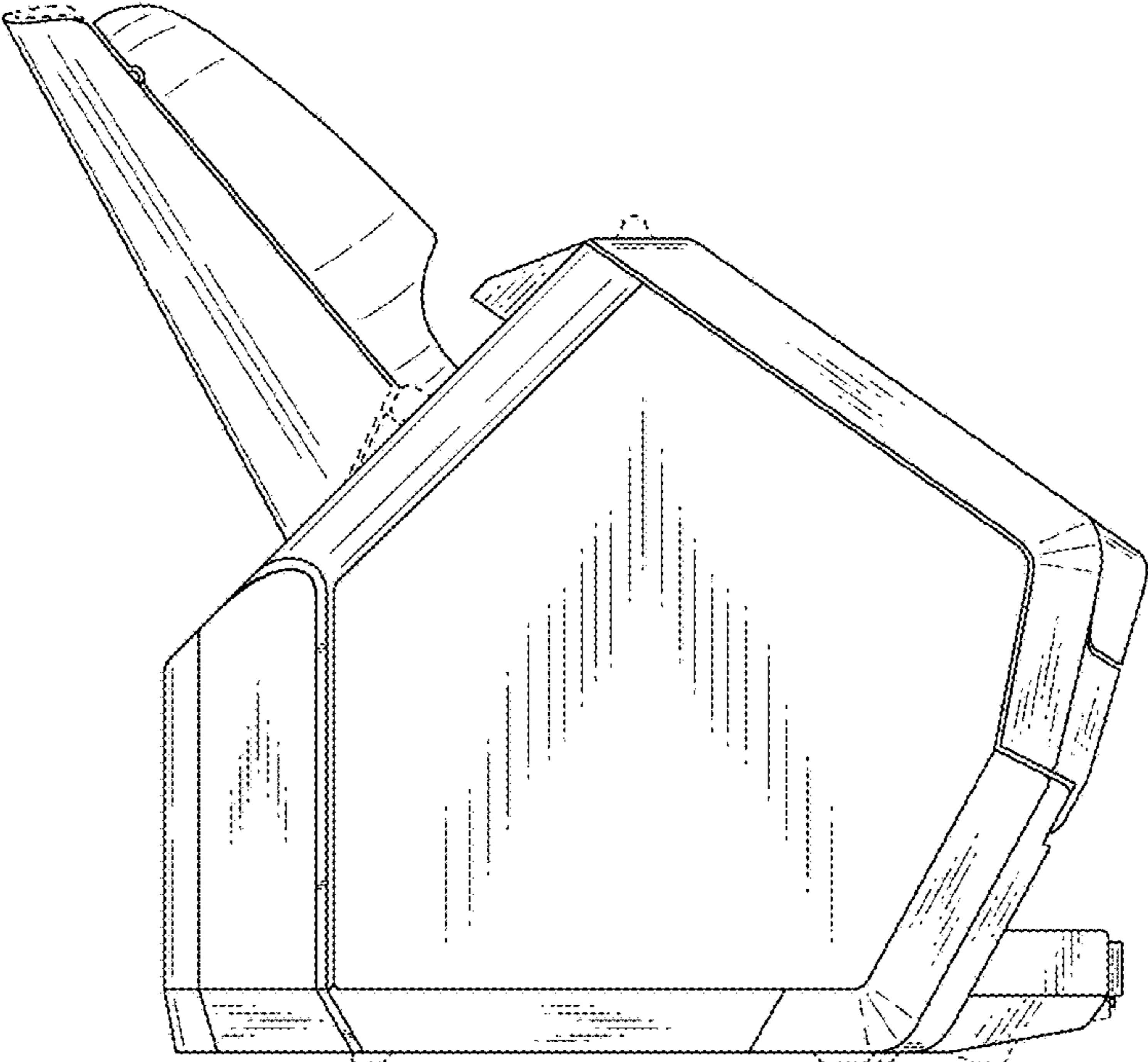


FIG. 6

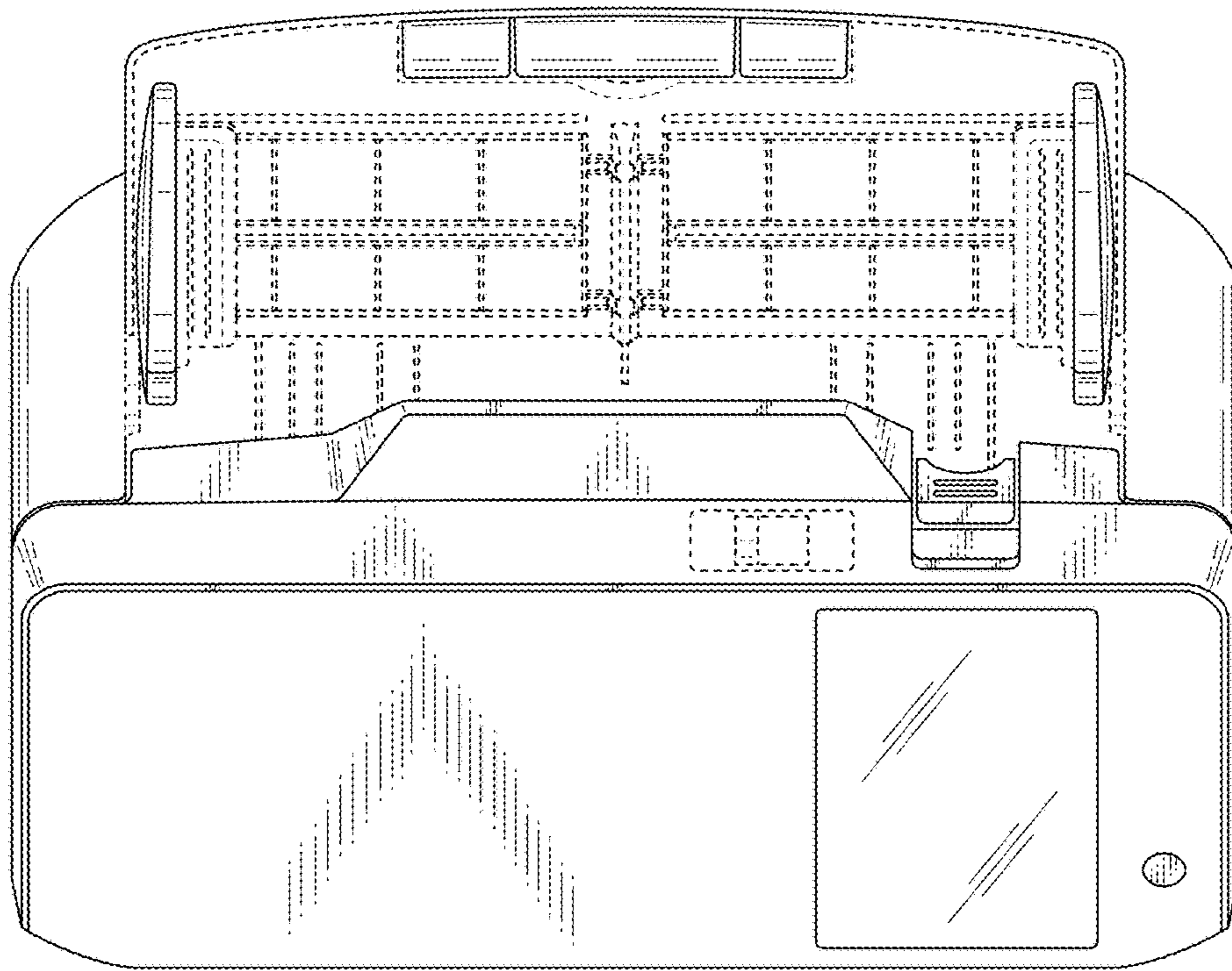


FIG. 7

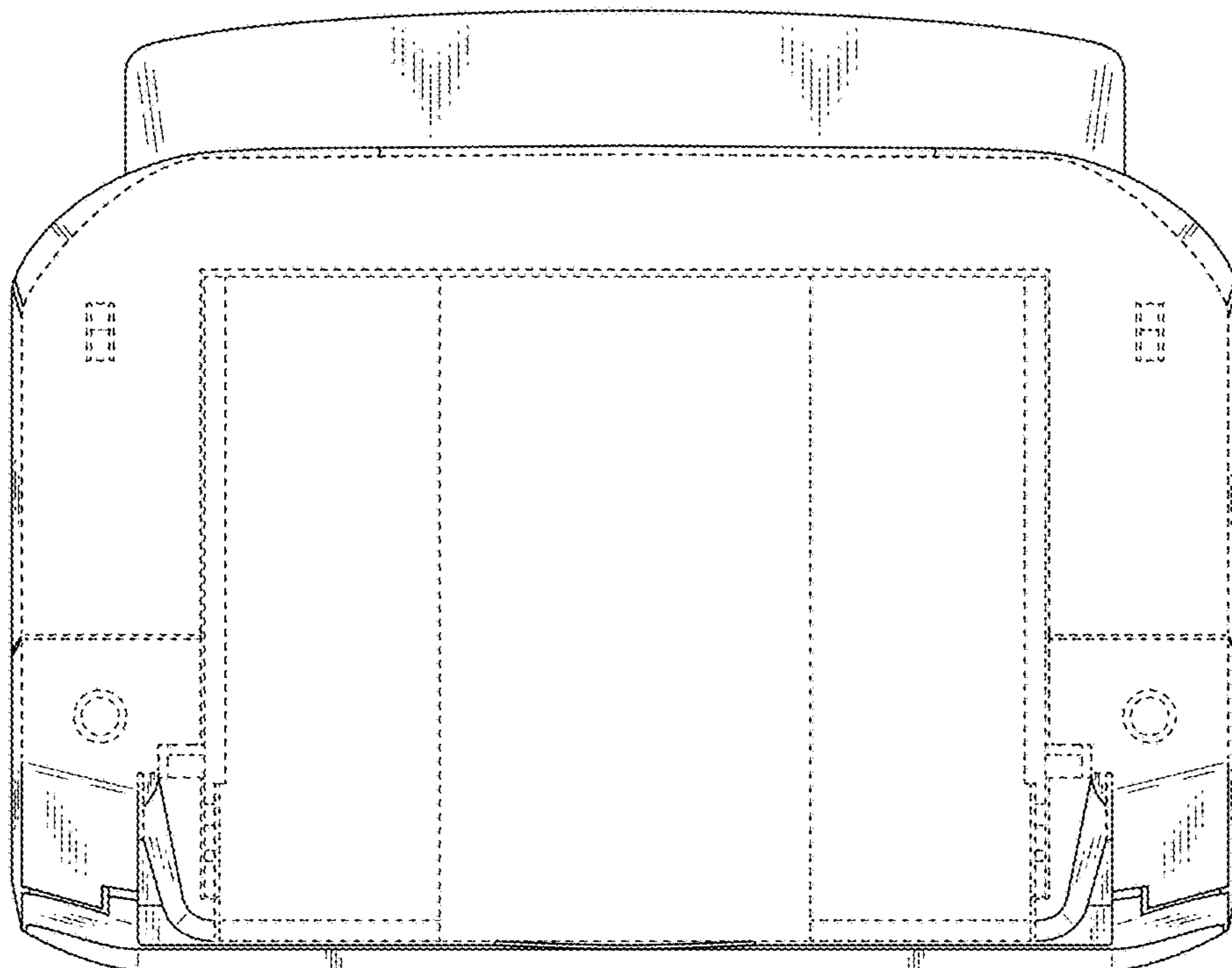


FIG. 8

