



US00D844002S

(12) **United States Design Patent**
Pang et al.

(10) **Patent No.:** **US D844,002 S**

(45) **Date of Patent:** **** Mar. 26, 2019**

(54) **JOYSTICK CONTROLLER FOR HEAD MOUNTED DISPLAY DEVICE**

(71) Applicant: **Tencent Technology (Shenzhen) Company Limited**, Shenzhen, Guangdong (CN)

(72) Inventors: **Ling Fang Pang**, Guangdong (CN); **Rui Bin Wu**, Guangdong (CN); **Wei Wu**, Guangdong (CN)

(73) Assignee: **Tencent Technology (Shenzhen) Company Limited** (CN)

(**) Term: **15 Years**

(21) Appl. No.: **29/608,805**

(22) Filed: **Jun. 26, 2017**

(30) **Foreign Application Priority Data**

Dec. 28, 2016 (CN) 2016 3 0653218

(51) **LOC (11) Cl.** **14-03**

(52) **U.S. Cl.**
USPC **D14/412**; D14/388; D14/218

(58) **Field of Classification Search**
USPC D14/400–418, 426–431, 454–455, 203.3, D14/218, 300, 356, 383, 388, 399, 432, D14/358; D21/331, 333, 566, 572–574, D21/324, 328; D22/100, 103–105; D13/162, 162.1, 168; D10/78, 98, 103; D26/46, 48
CPC .. A63F 9/02; A63F 9/24; A63F 9/0291; A63F 9/0252; A63F 13/00; A63H 5/04; F41J 5/02

See application file for complete search history.

(56) **References Cited**

U.S. PATENT DOCUMENTS

D368,718 S *	4/1996	Starck	D14/218
D550,293 S *	9/2007	Merino	D21/300
7,351,148 B1 *	4/2008	Rothschild	A63F 9/24 463/1
D631,465 S *	1/2011	Lipsky	D14/167
D640,669 S *	6/2011	Cho	D14/218
D650,364 S *	12/2011	Kim	D14/218
D695,274 S *	12/2013	Barnsteiner	D14/218
D761,768 S *	7/2016	Klein	D14/218
D762,195 S *	7/2016	Klein	D14/218
D784,990 S *	4/2017	Huang	D14/400
D793,365 S *	8/2017	Kato	D14/218
D795,870 S *	8/2017	Jentz	D14/388
D795,871 S *	8/2017	Jentz	D14/388

* cited by examiner

Primary Examiner — Jeffrey D Asch

Assistant Examiner — Rebekah A Caruso

(74) *Attorney, Agent, or Firm* — Design IP

(57) **CLAIM**

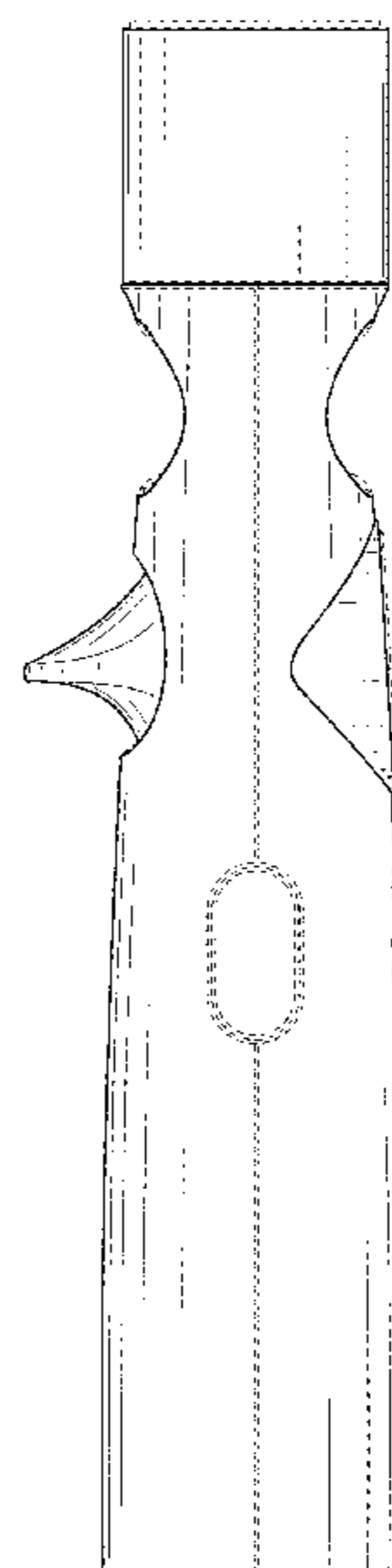
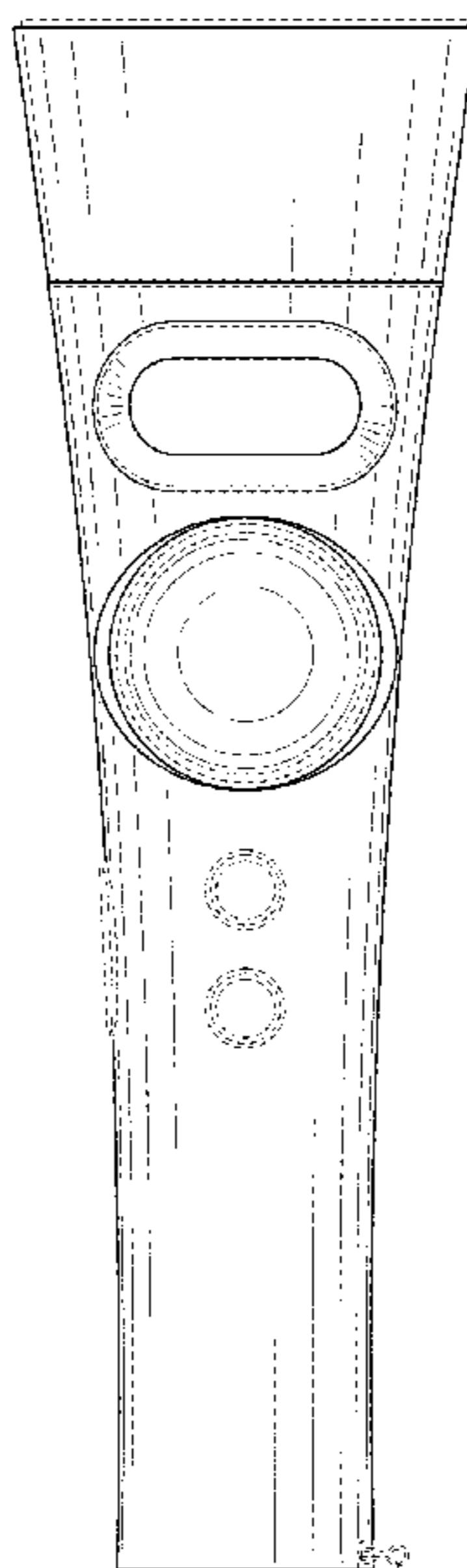
The ornamental design for a joystick controller for head mounted display device, as shown and described.

DESCRIPTION

FIG. 1 is a front perspective view of a joystick controller for head mounted display device showing our new design; FIG. 2 is a front view thereof; FIG. 3 is a rear view thereof; FIG. 4 is a left side view thereof; FIG. 5 is a right side view thereof; FIG. 6 is a top view thereof; and, FIG. 7 is a bottom view thereof.

The broken line showing of portions of the joystick controller in FIGS. 1-7 represents environmental structure and forms no part of the claimed design.

1 Claim, 4 Drawing Sheets



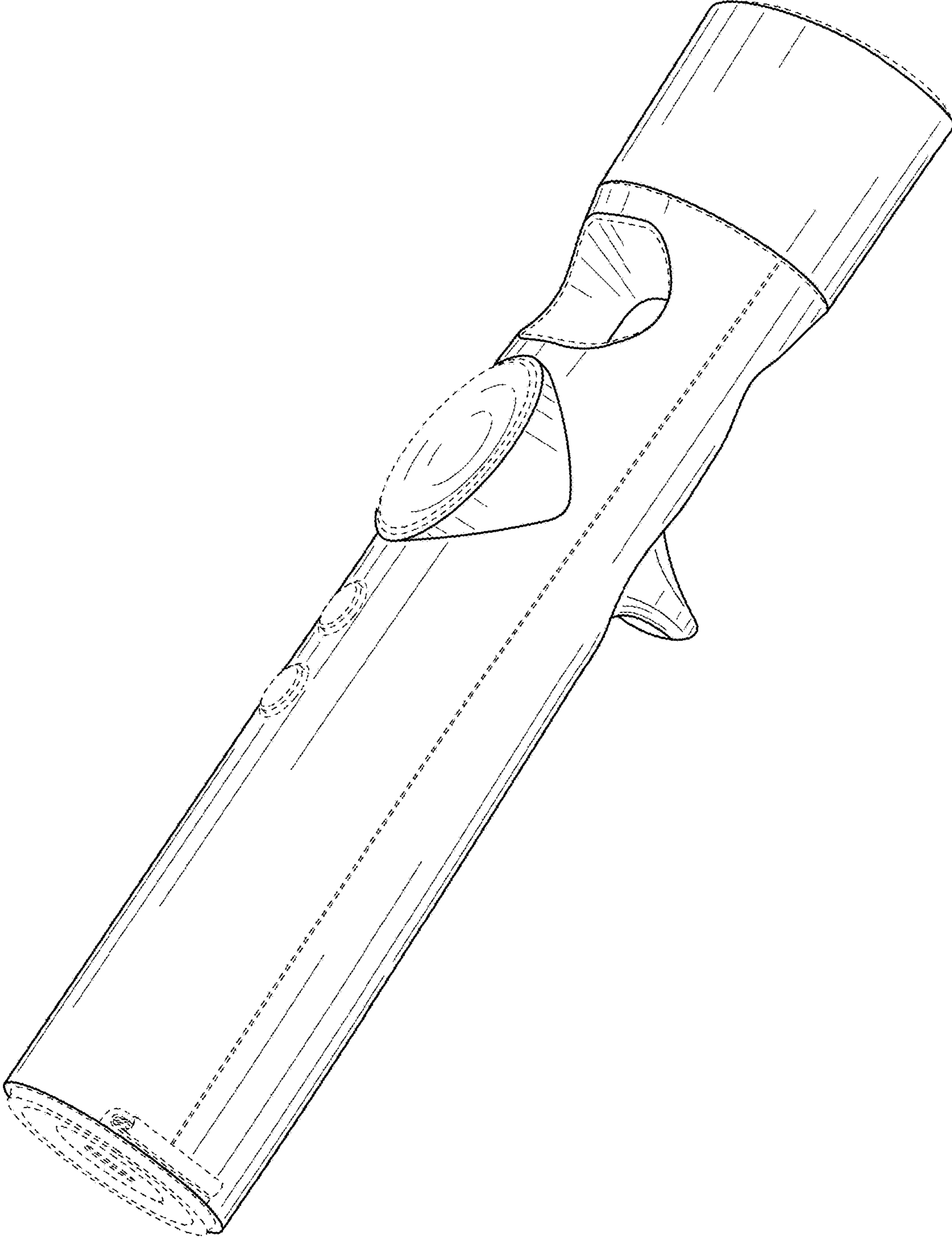


FIG. 1

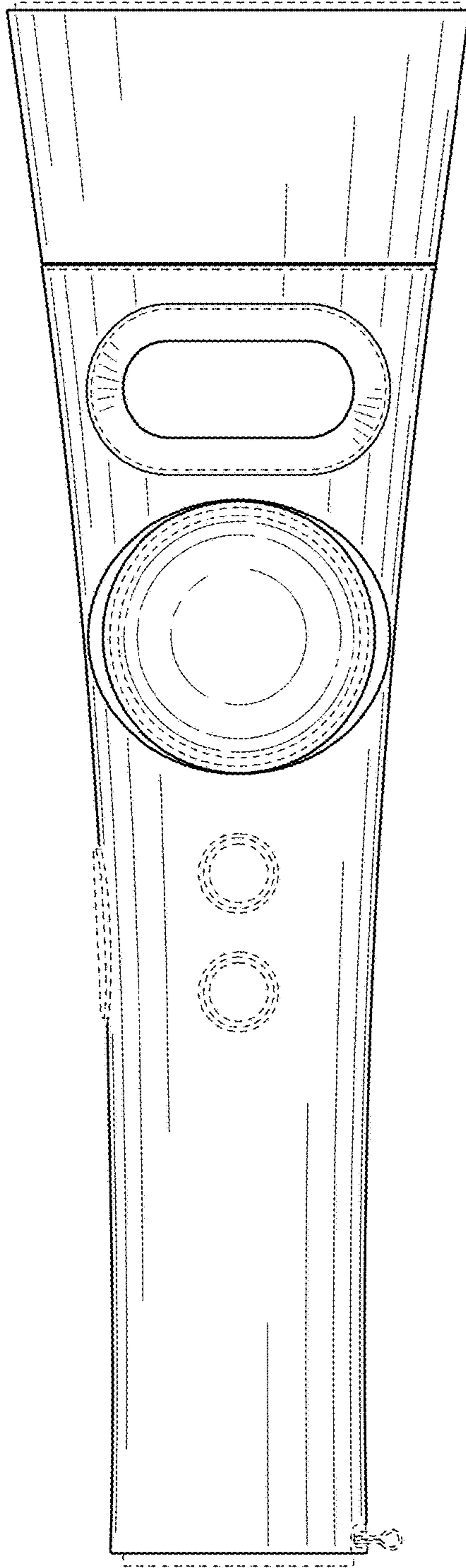


FIG. 2

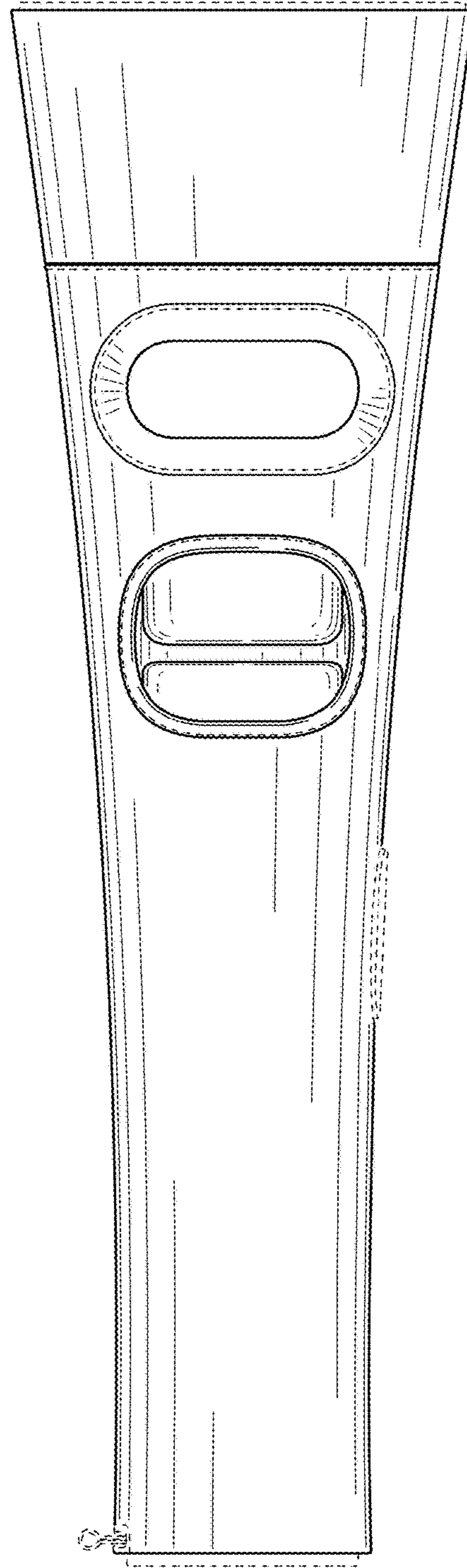


FIG. 3

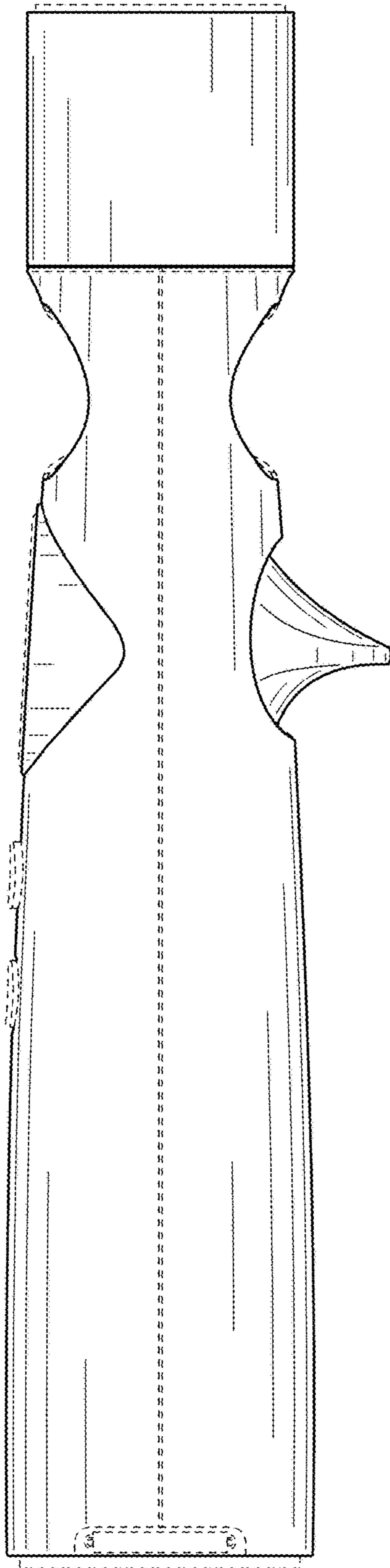


FIG. 4

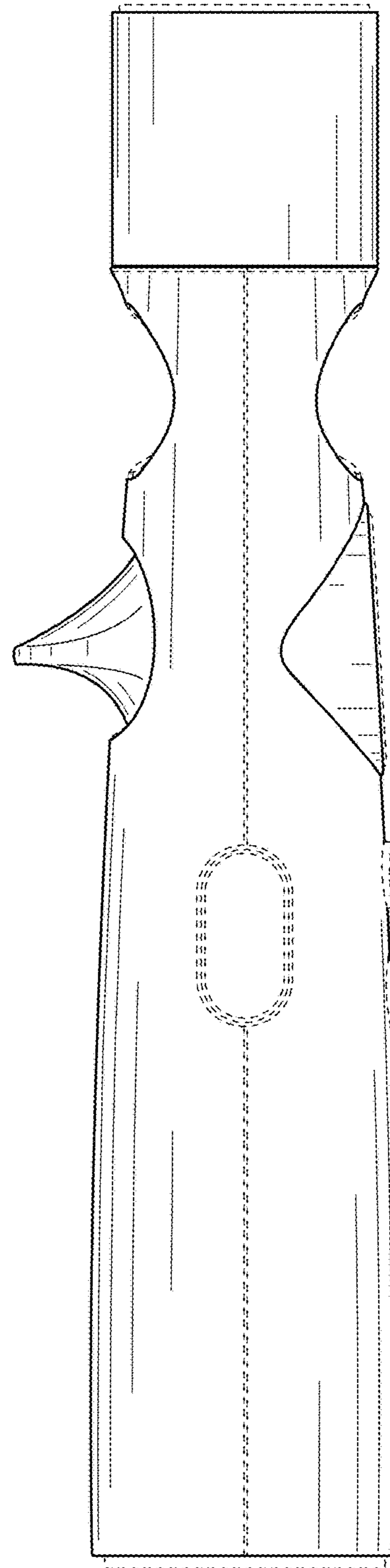


FIG. 5

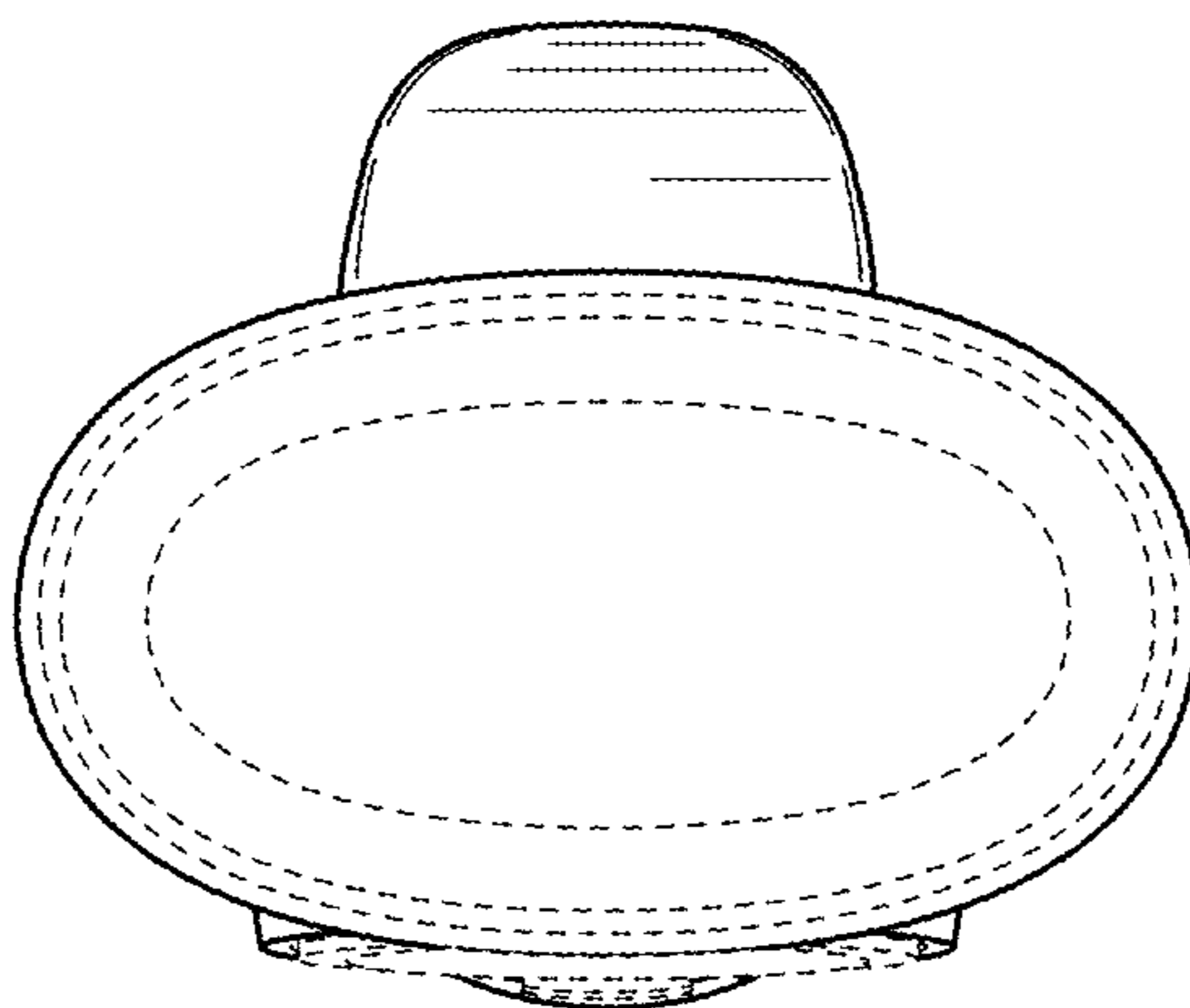


FIG. 6

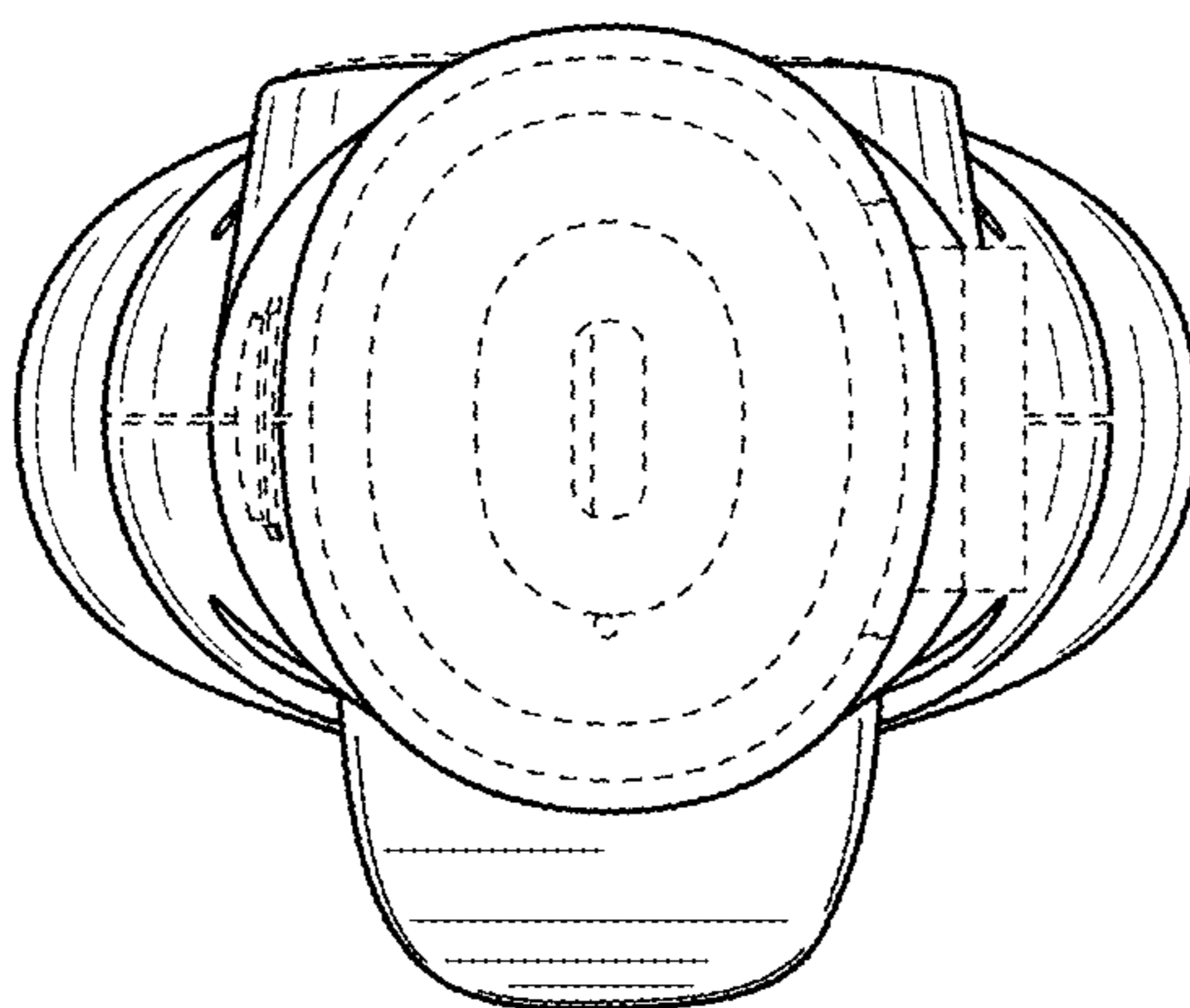


FIG. 7