



US00D844000S

(12) **United States Design Patent**  
**Lee et al.**

(10) **Patent No.:** **US D844,000 S**  
(45) **Date of Patent:** **\*\* Mar. 26, 2019**

- (54) **MOUSE**
- (71) Applicant: **Kingston Digital, Inc.**, Fountain Valley, CA (US)
- (72) Inventors: **Baron King Lee**, Fountain Valley, CA (US); **Albert Jin**, Fountain Valley, CA (US); **Yi Ting Lin**, Hsinchu (TW); **Jian Cheng Lai**, Hsinchu (TW)
- (73) Assignee: **Kingston Digital, Inc.**, Fountain Valley, CA (US)

D711,380 S \* 8/2014 Urban ..... D14/410  
 D771,046 S \* 11/2016 Jost ..... D14/410  
 D820,262 S \* 6/2018 Shayani ..... D14/410

\* cited by examiner

*Primary Examiner* — Austin Murphy  
(74) *Attorney, Agent, or Firm* — Skaar Ulbrich Macari, P.A.

(57) **CLAIM**

We claim an ornamental design for a mouse, as shown and described.

**DESCRIPTION**

FIG. 1 is a first perspective view of a mouse showing the claimed design;  
 FIG. 2 is a second perspective view of FIG. 1;  
 FIG. 3 is a third perspective view of FIG. 1;  
 FIG. 4 is a fourth perspective view of FIG. 1;  
 FIG. 5 is a front elevational view of FIG. 1;  
 FIG. 6 is a rear elevational view of FIG. 1;  
 FIG. 7 is a left side elevational view of FIG. 1;  
 FIG. 8 is a right side elevational view of FIG. 1;  
 FIG. 9 is a top plan view of FIG. 1;  
 FIG. 10 is a bottom plan view of FIG. 1;  
 FIG. 11 is an enlarged view according to an area A of FIG. 1; and,  
 FIG. 12 is a partial enlarged cross-sectional view according to a “line B-B” of FIG. 6.

The line B-B indicated in FIG. 6 is merely to designate the cross section of FIG. 12 and forms no part of the claimed design.

The dashed broken lines in the figures represent portions of the article which form no part of the claimed design.

The dot-dash lines in the figures represent the boundary of the enlarged areas which form no part of the claimed design.

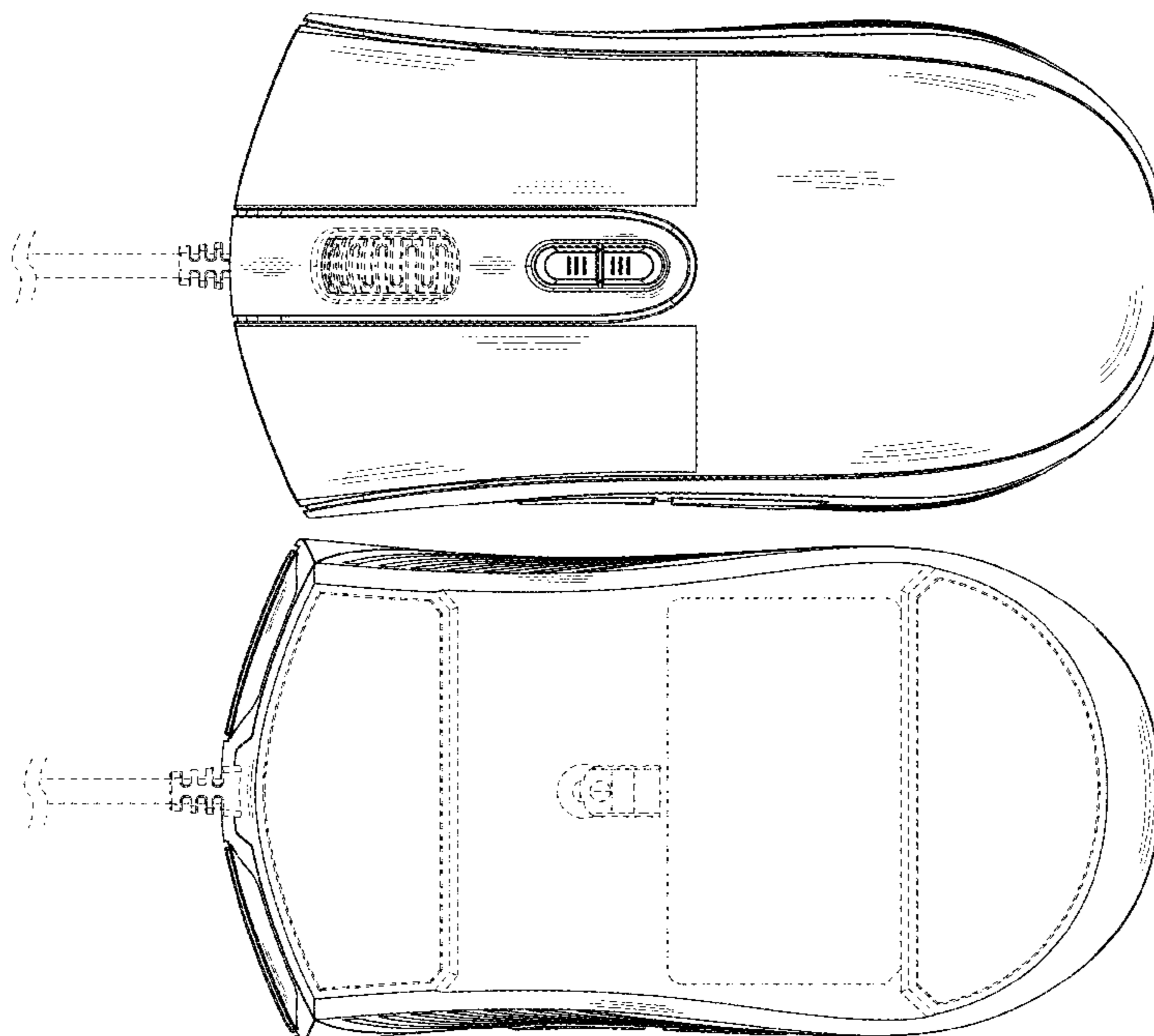
- (\*\*) Term: **15 Years**
- (21) Appl. No.: **29/643,809**
- (22) Filed: **Apr. 11, 2018**
- (51) **LOC (11) Cl.** ..... **04-02**
- (52) **U.S. Cl.**  
USPC ..... **D14/410**
- (58) **Field of Classification Search**  
USPC ..... D14/402–411, 356, 388, 389, 383–385, D14/417, 426; 345/156–167; 463/36–38; 358/471, 473; 273/148 B  
CPC ..... G06F 3/03543; G06F 2203/0333; G06F 3/039; G06F 3/038; G06F 2203/0384  
See application file for complete search history.

(56) **References Cited**

**U.S. PATENT DOCUMENTS**

D326,848 S \* 6/1992 Shiraiishi ..... D14/410  
 D331,231 S \* 11/1992 Yang ..... D14/410  
 D354,484 S \* 1/1995 Skaggs ..... D14/410  
 D424,550 S \* 5/2000 Su ..... D14/410  
 D640,257 S \* 6/2011 Lee ..... D14/410

**1 Claim, 10 Drawing Sheets**



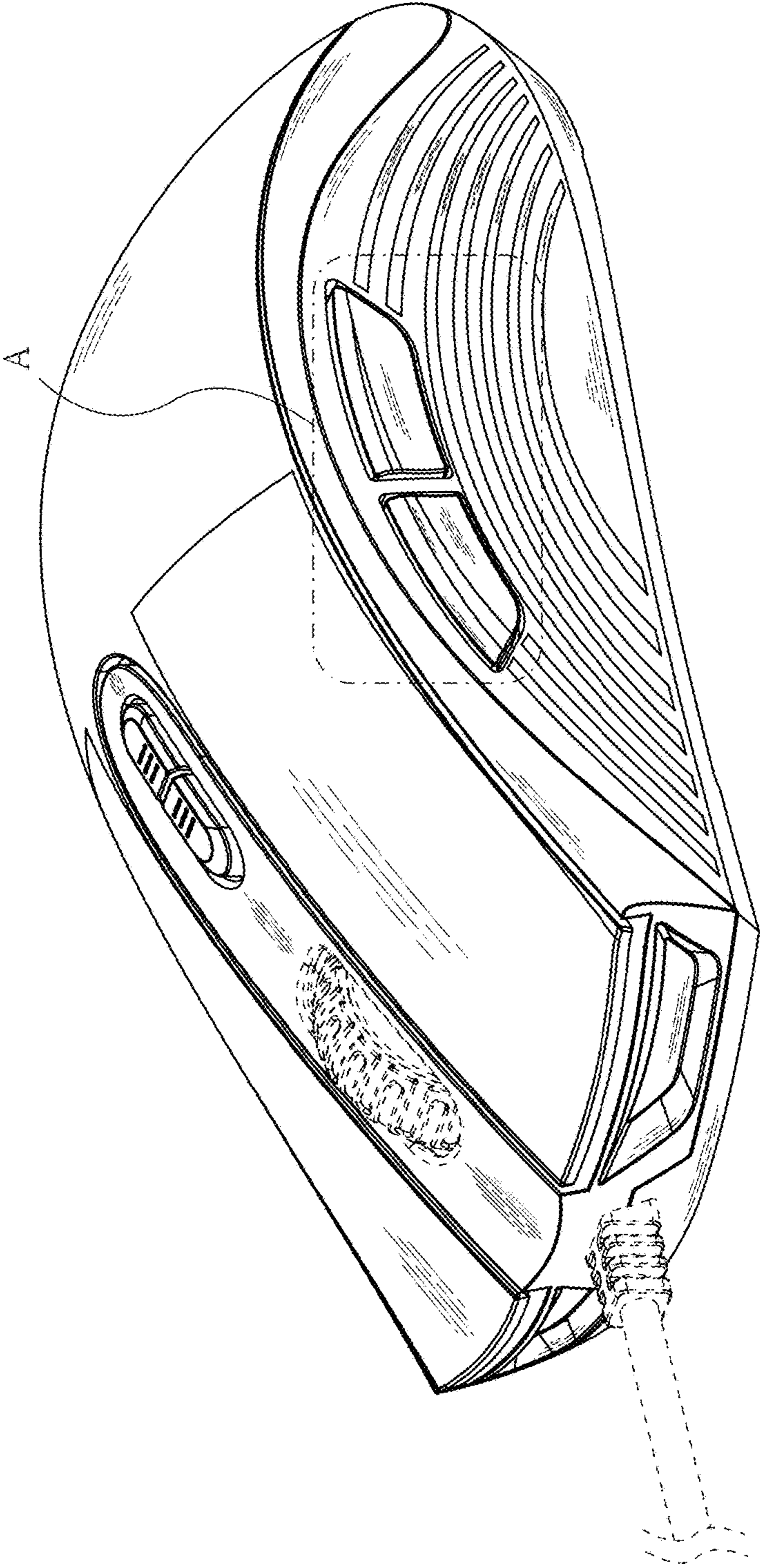


FIG. 1

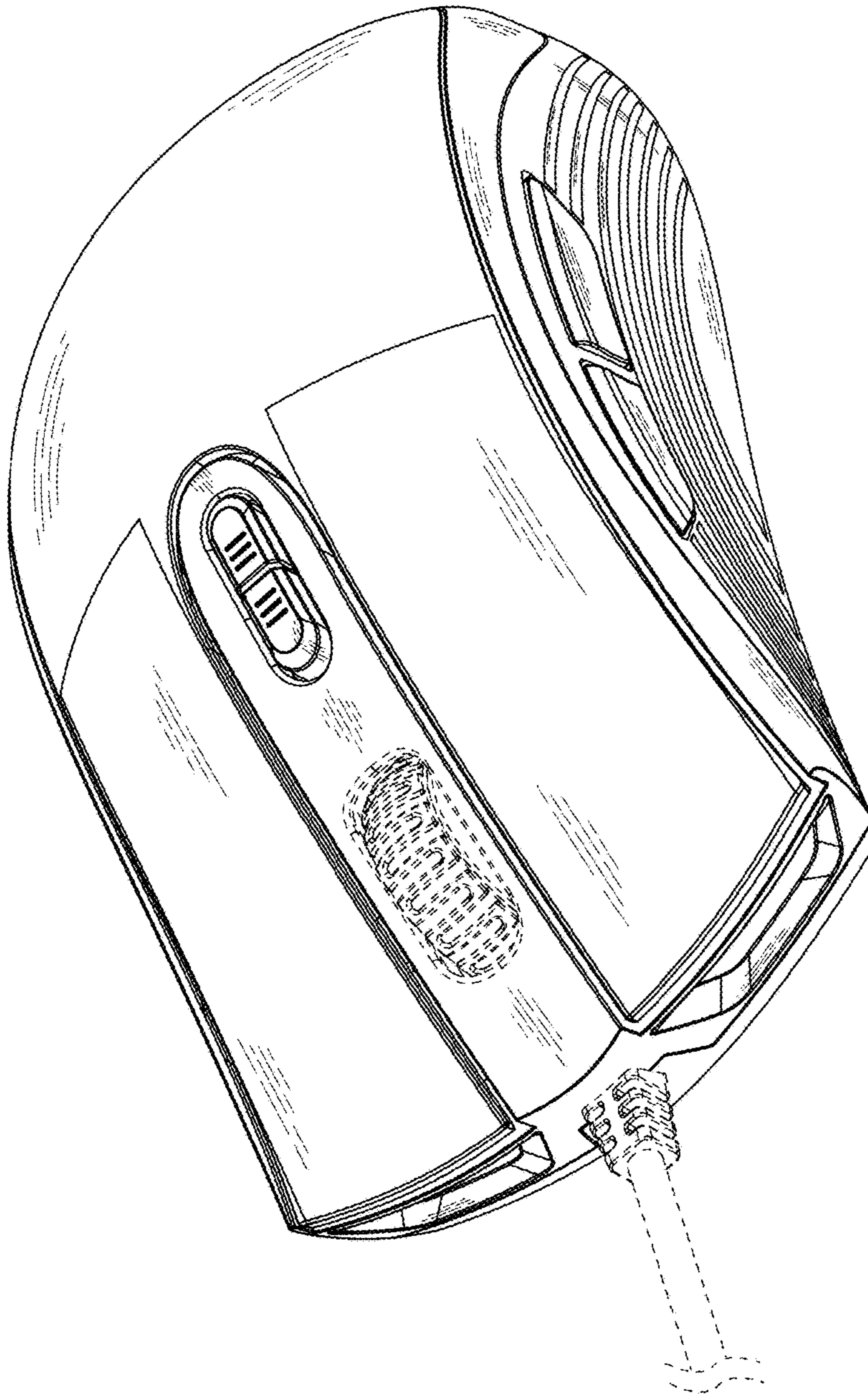


FIG. 2

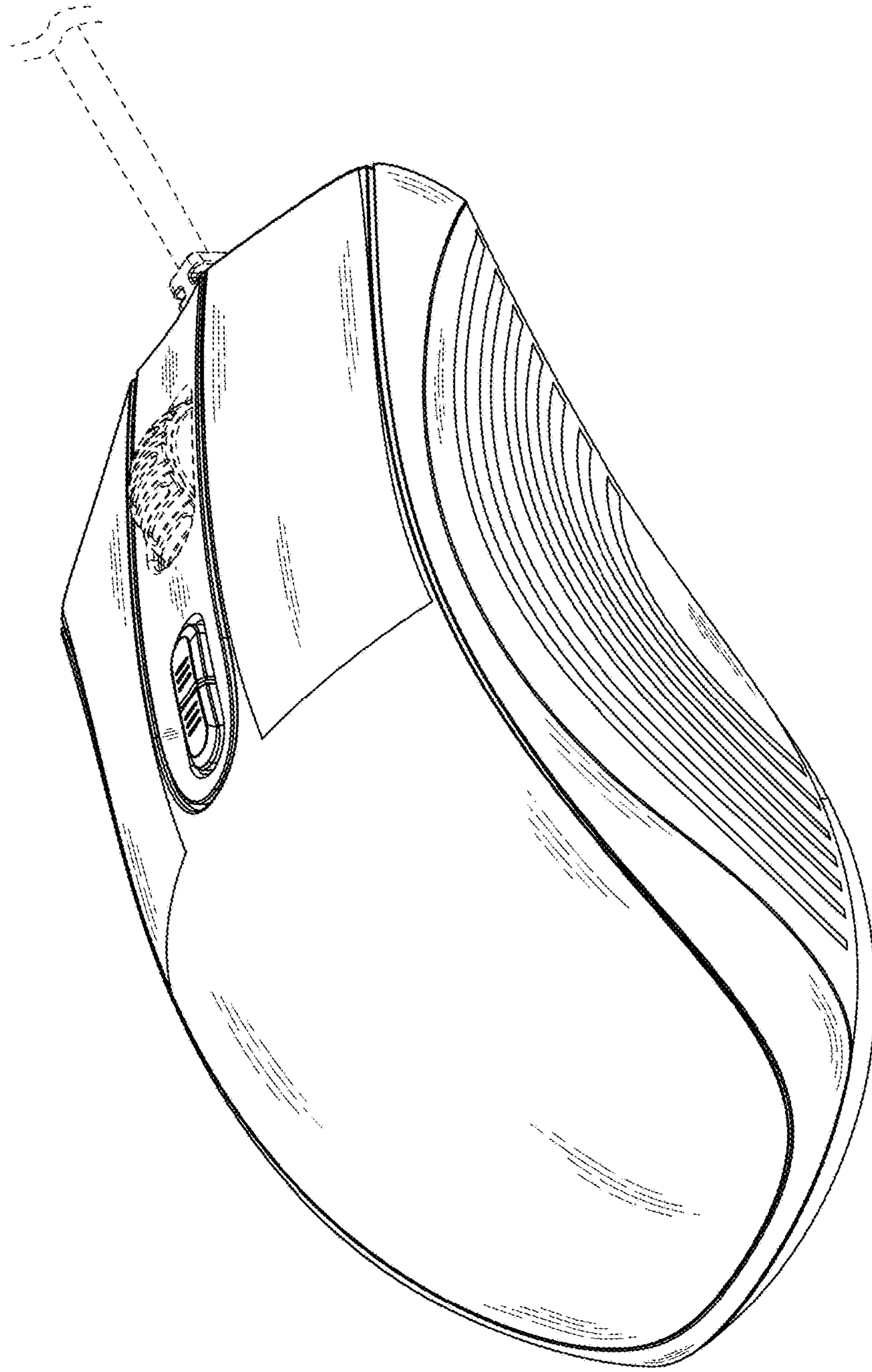


FIG. 3

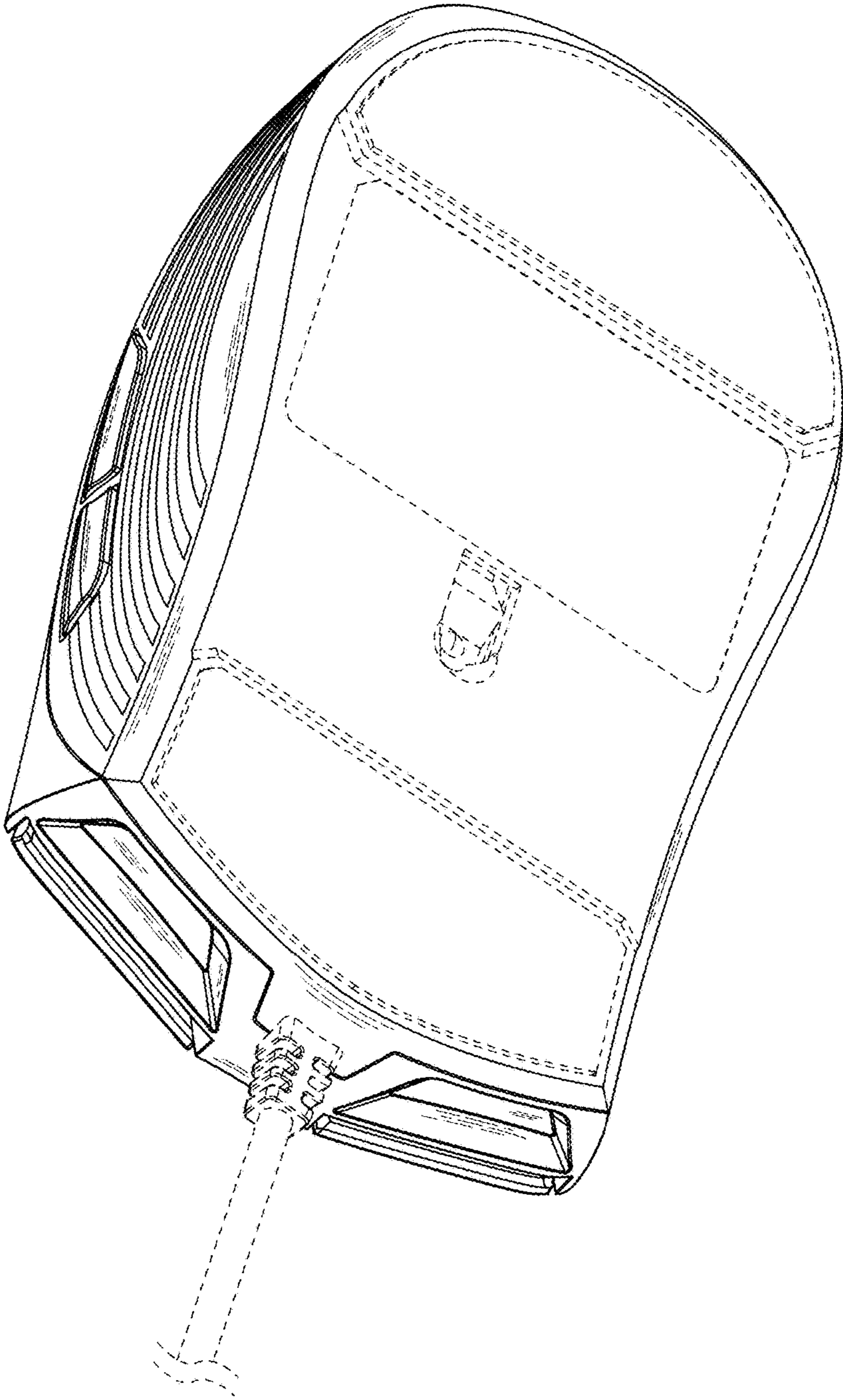


FIG. 4

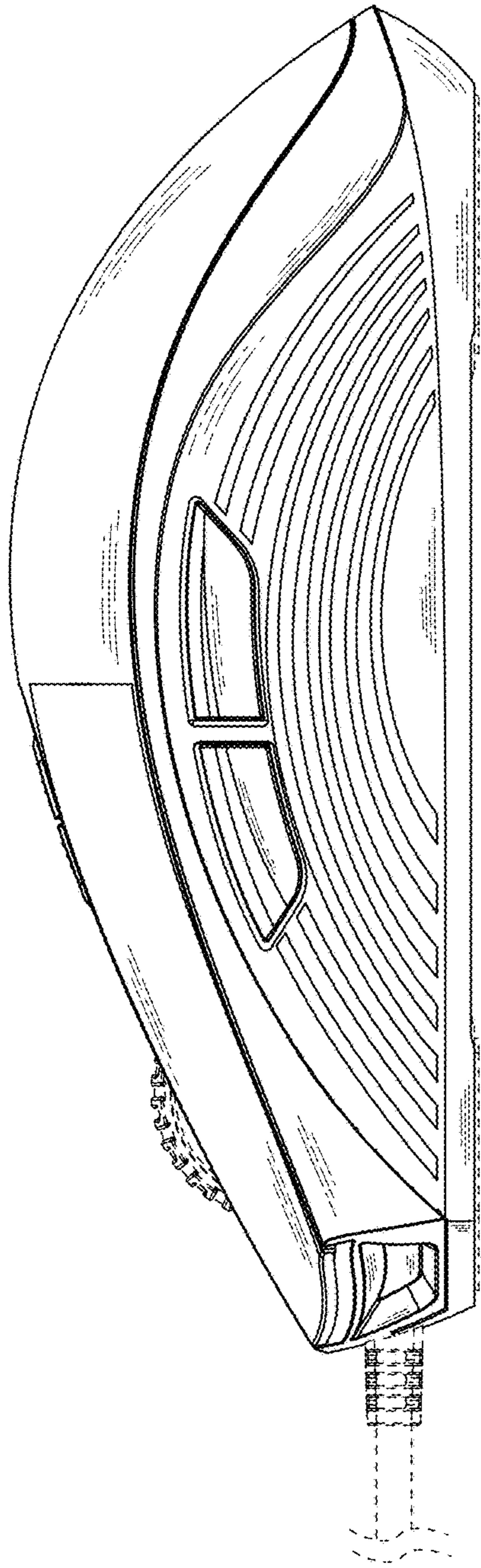


FIG. 5

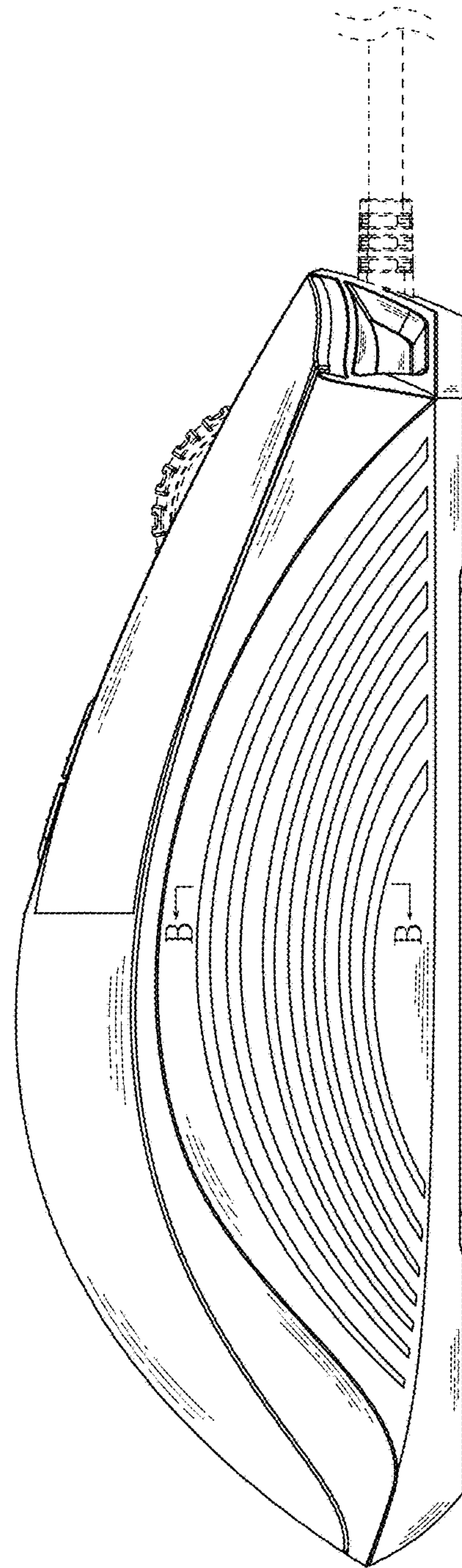


FIG. 6

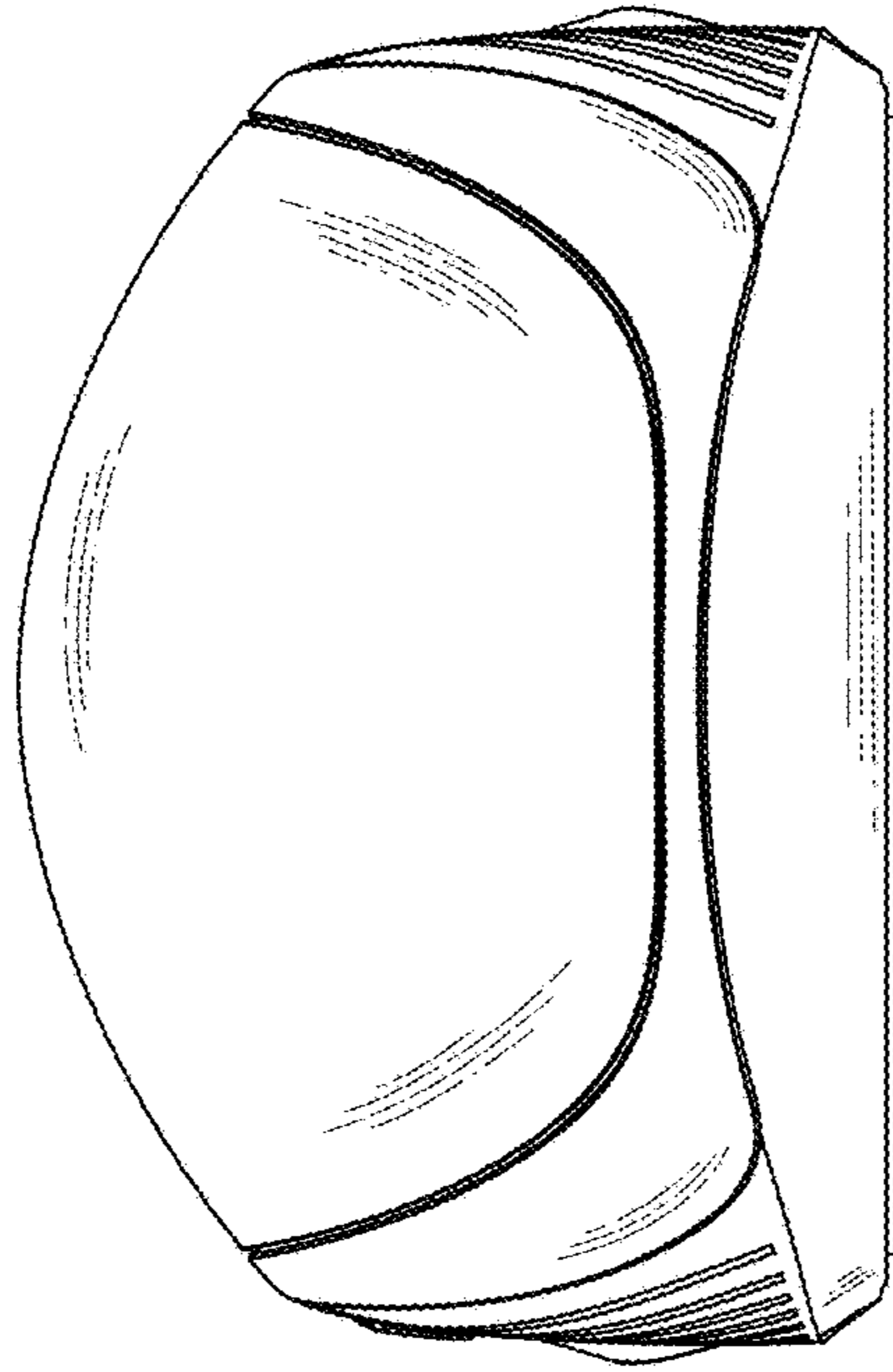


FIG. 8

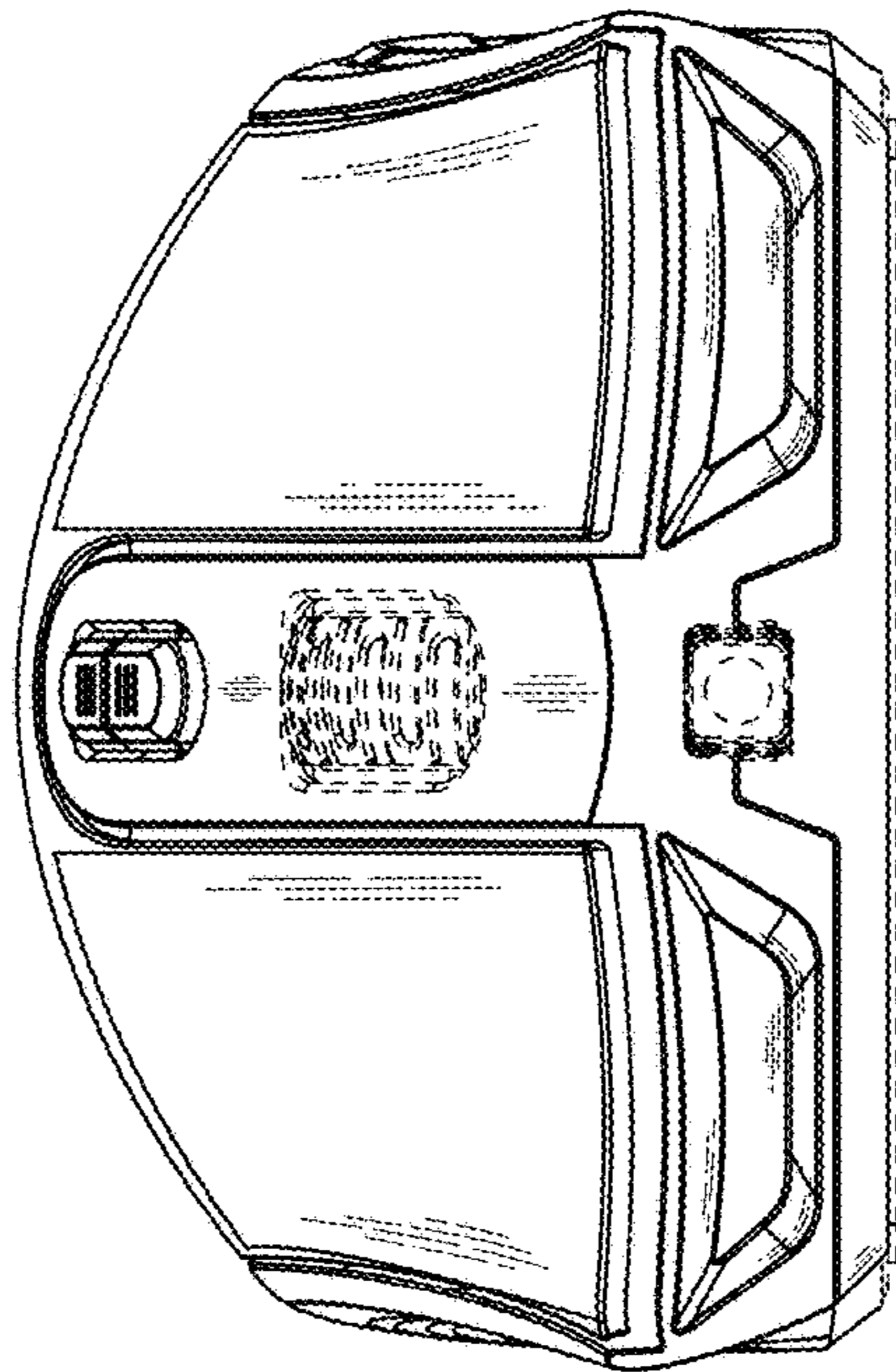


FIG. 7

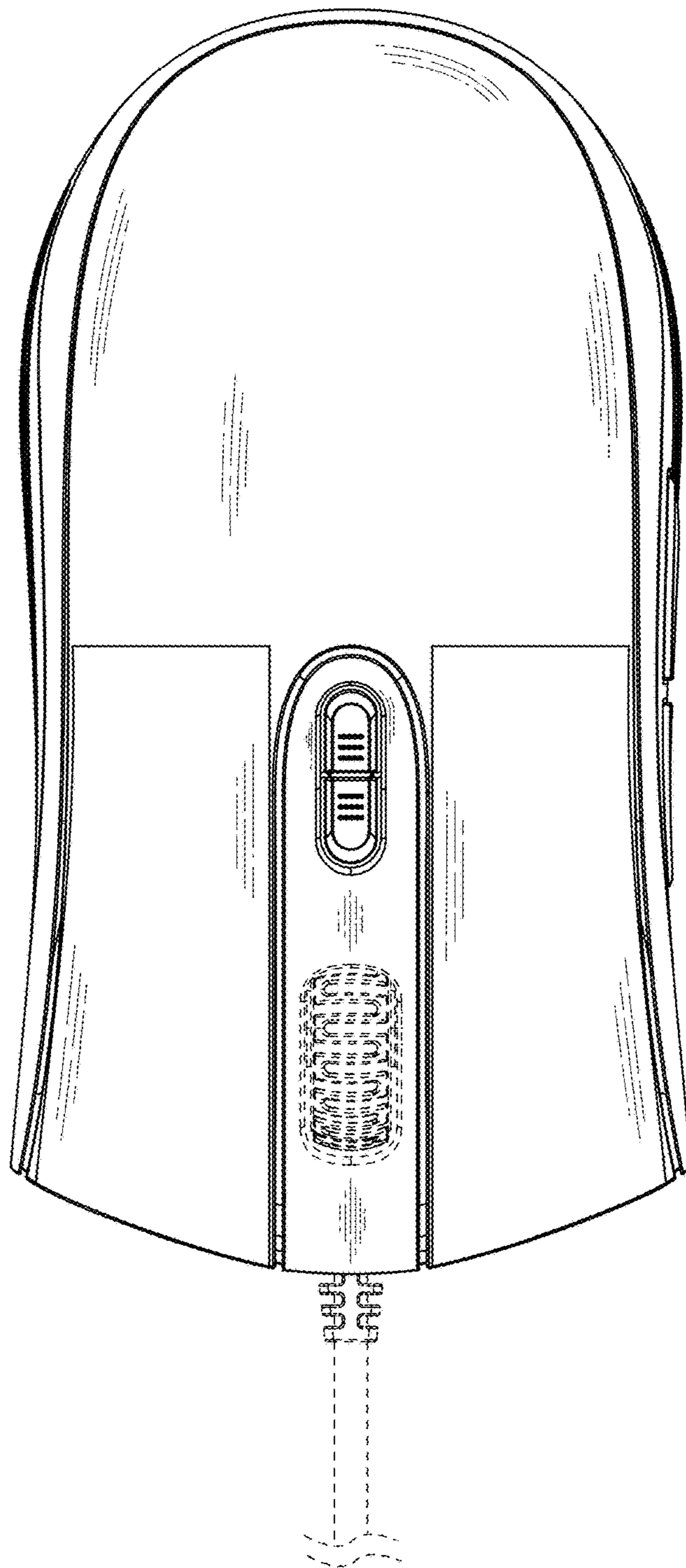


FIG. 9



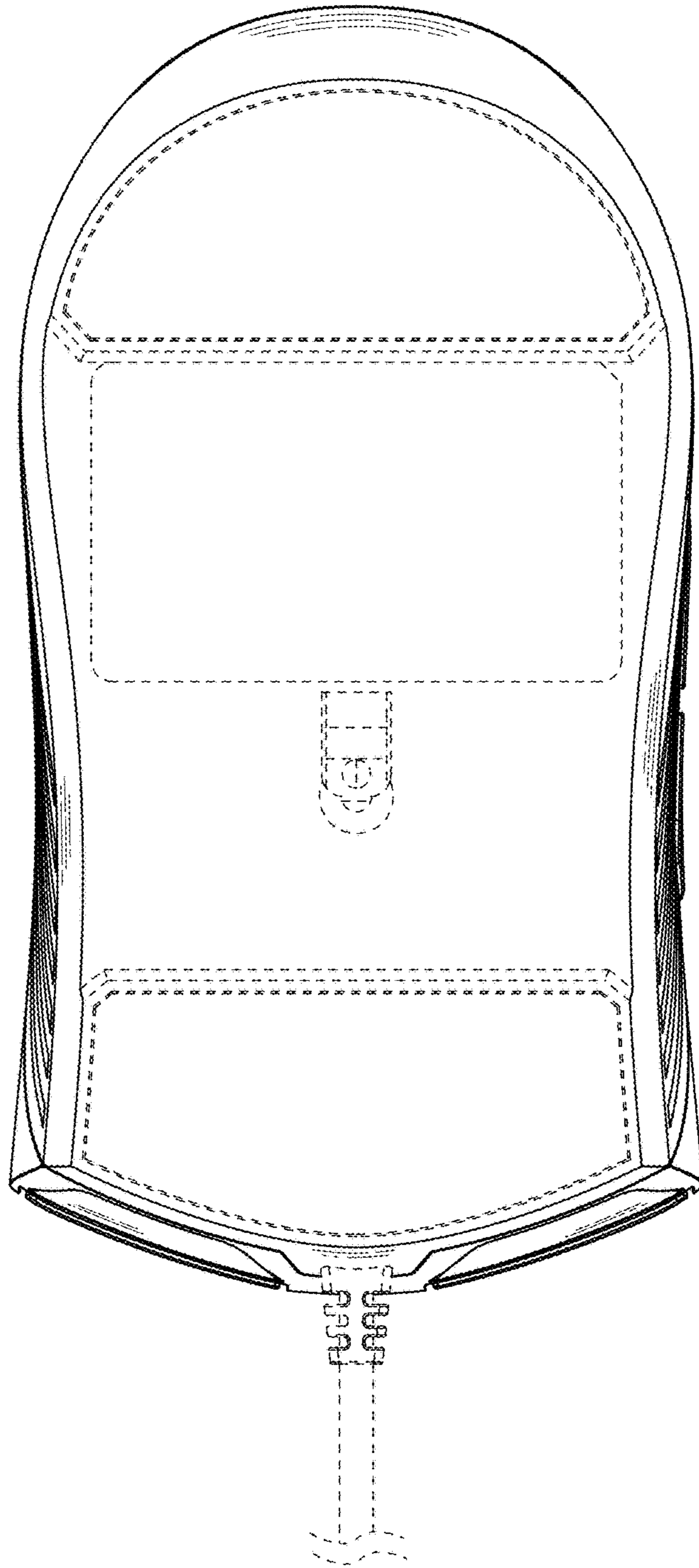


FIG. 10

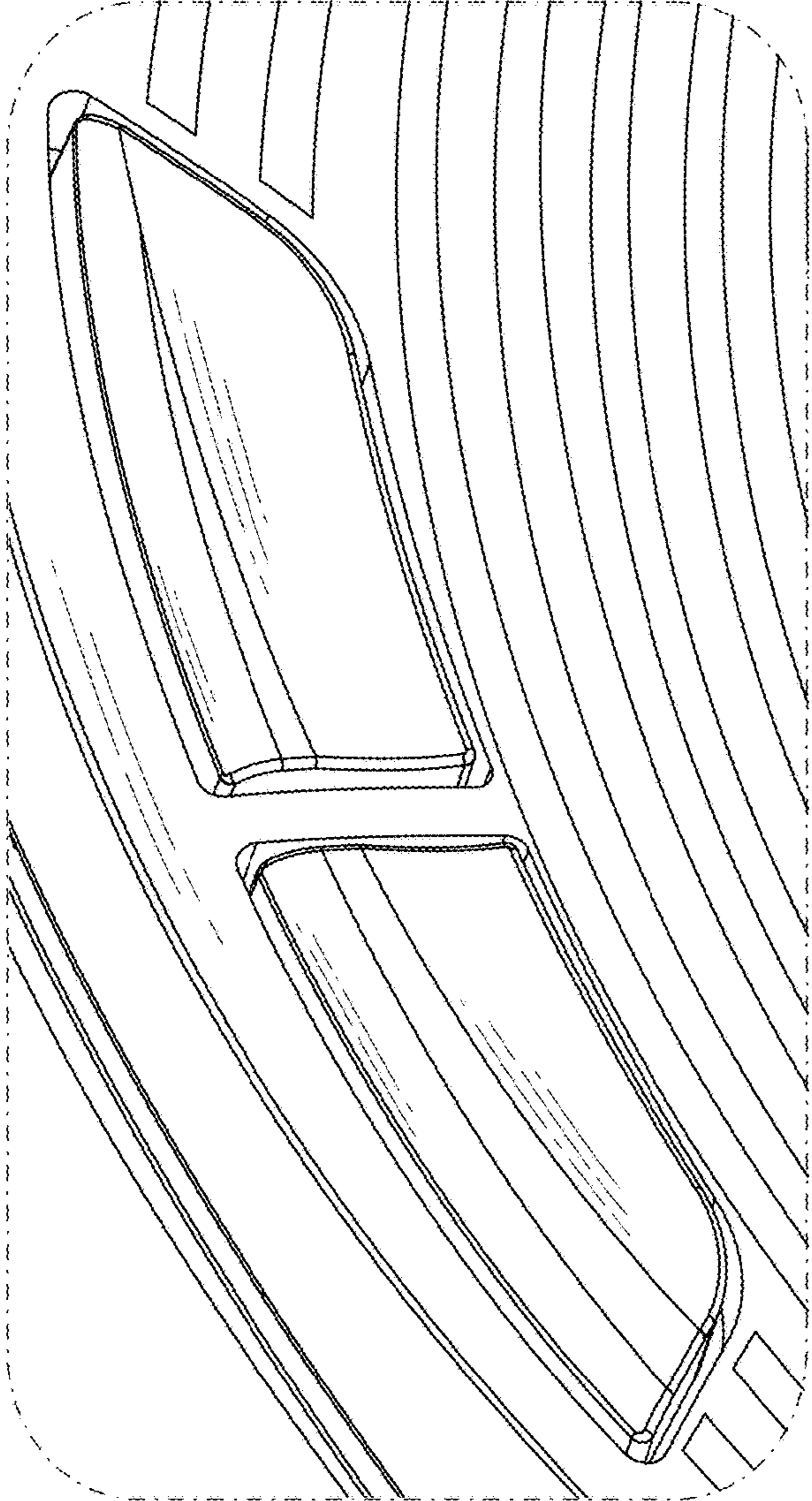


FIG. 11

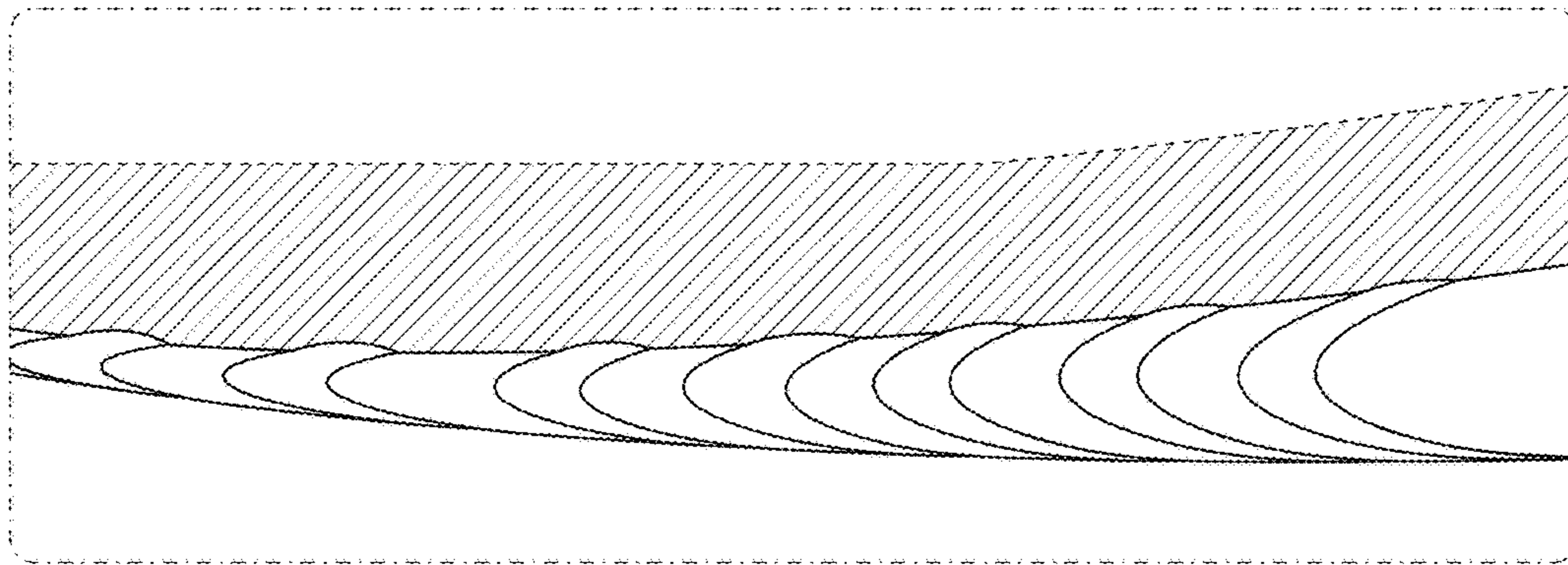


FIG. 12