



US00D843992S

(12) **United States Design Patent** (10) **Patent No.:** **US D843,992 S**
Lu (45) **Date of Patent:** **** Mar. 26, 2019**

(54) **MOBILE PHONE SHELL**
(71) Applicant: **Chenhui Lu**, Zhoukou (CN)
(72) Inventor: **Chenhui Lu**, Zhoukou (CN)
(**) Term: **15 Years**

(21) Appl. No.: **29/623,064**
(22) Filed: **Oct. 23, 2017**
(51) **LOC (11) Cl.** **14-03**
(52) **U.S. Cl.**
USPC **D14/250**
(58) **Field of Classification Search**
USPC D14/250
CPC A45C 2011/002
See application file for complete search history.

(56) **References Cited**

U.S. PATENT DOCUMENTS

D482,162 S * 11/2003 Bostroem D28/77
D659,394 S * 5/2012 Hebert D3/247
D714,054 S * 9/2014 Kershenstein D3/269
D729,522 S * 5/2015 Kim D3/218
D738,620 S * 9/2015 Schmole D3/249
D757,431 S * 5/2016 Requa D3/247
D762,615 S * 8/2016 Kim D14/203.4
D777,421 S * 1/2017 Grote D14/250
D778,895 S * 2/2017 Park D14/250
D778,896 S * 2/2017 Park D14/250
D779,472 S * 2/2017 Lee D14/250
D779,473 S * 2/2017 Lee D14/250
D779,474 S * 2/2017 Kim D14/250
D779,475 S * 2/2017 Park D14/250
D793,082 S * 8/2017 Zhang D3/249
D793,725 S * 8/2017 Zhang D3/249
D793,726 S * 8/2017 Zhang D3/249
D794,952 S * 8/2017 Feng D3/247
D806,378 S * 1/2018 Lerenthal D3/201

D822,989 S * 7/2018 Persson D3/249
2015/0155902 A1* 6/2015 Lin H04B 1/3888
455/575.8
2015/0230570 A1* 8/2015 Kim A45C 11/182
150/139

OTHER PUBLICATIONS

IPHOX iPhone Leather Wallet Case, posted at amazon.com, posting date by Jul. 16, 2017, [online], [site visited Dec. 31, 2018]. Available from Internet, URL: <https://www.amazon.com/dp/B01LSGIDHG/> (Year: 2017).*

(Continued)

Primary Examiner — George D. Kirschbaum
Assistant Examiner — Maria J Edwards

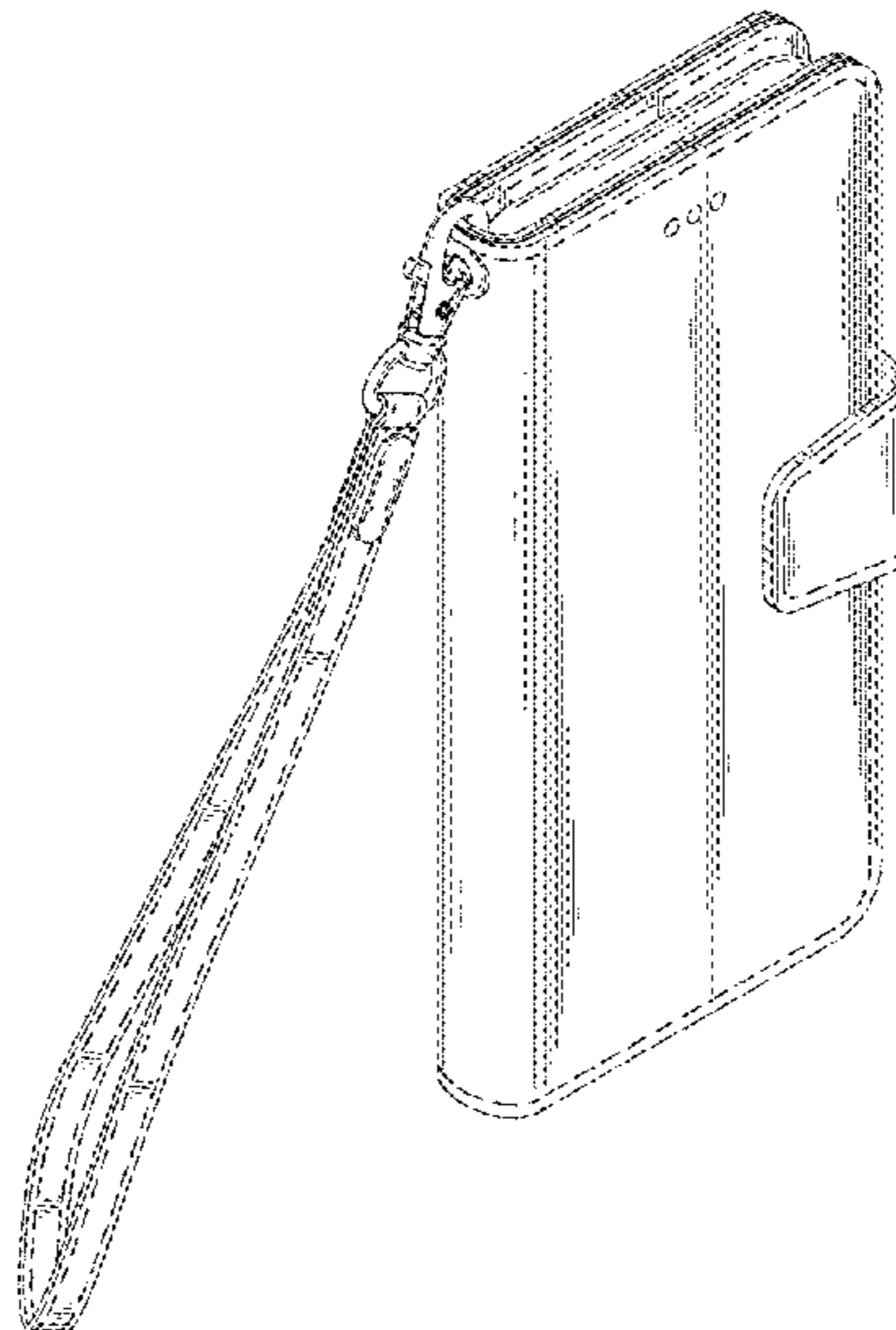
(57) **CLAIM**

The ornamental design for a mobile phone shell, as shown and described.

DESCRIPTION

FIG. 1 is a perspective view of a mobile phone shell showing my new design;
FIG. 2 is another perspective view thereof;
FIG. 3 is a front elevational view thereof;
FIG. 4 is a rear elevational view thereof;
FIG. 5 is a left side elevational view thereof;
FIG. 6 is a right side elevational view thereof;
FIG. 7 is a top plan view thereof;
FIG. 8 is a bottom plan view thereof;
FIG. 9 is a perspective view thereof, shown in a position of use; and,
FIG. 10 is a perspective view thereof, shown in a second position of use.
The broken lines in the drawings illustrate portions of the mobile phone shell and form no part of the claimed design.

1 Claim, 10 Drawing Sheets



(56)

References Cited

OTHER PUBLICATIONS

OEAGO iPhone 8 Plus Case, posted at amazon.com, posting date by Nov. 22, 2017, [online], [site visited Dec. 31, 2018]. Available from Internet, URL: <https://www.amazon.com/iPhone-Wallet-Protective-Resistant-Pockets/dp/B019LF8KY2> (Year: 2017).*

OKILA iPhone Book Style Slim Wallet Case, posted at amazon.com, posting date by Nov. 5, 2018, [online], [site visited Dec. 31, 2018]. Available from Internet, URL: <https://www.amazon.com/dp/B07DGYSYS6/> (Year: 2018).*

ProCase iPhone Wallet Case, posted at amazon.com, posting date by Sep. 20, 2016, [online], [site visited Dec. 31, 2018]. Available from Internet, URL: <https://www.amazon.com/dp/B01K1G3FTI/> (Year: 2016).*

* cited by examiner

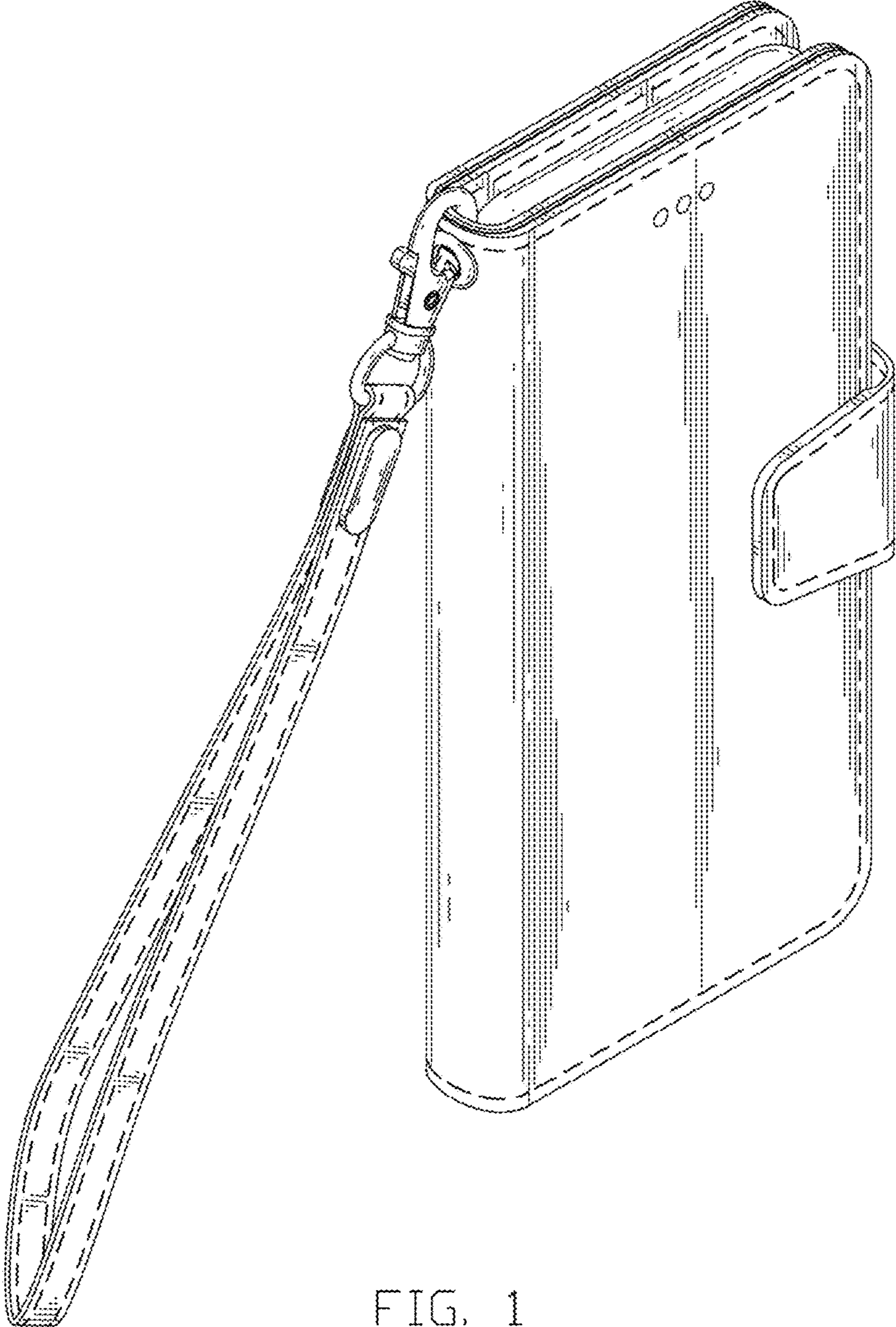


FIG. 1

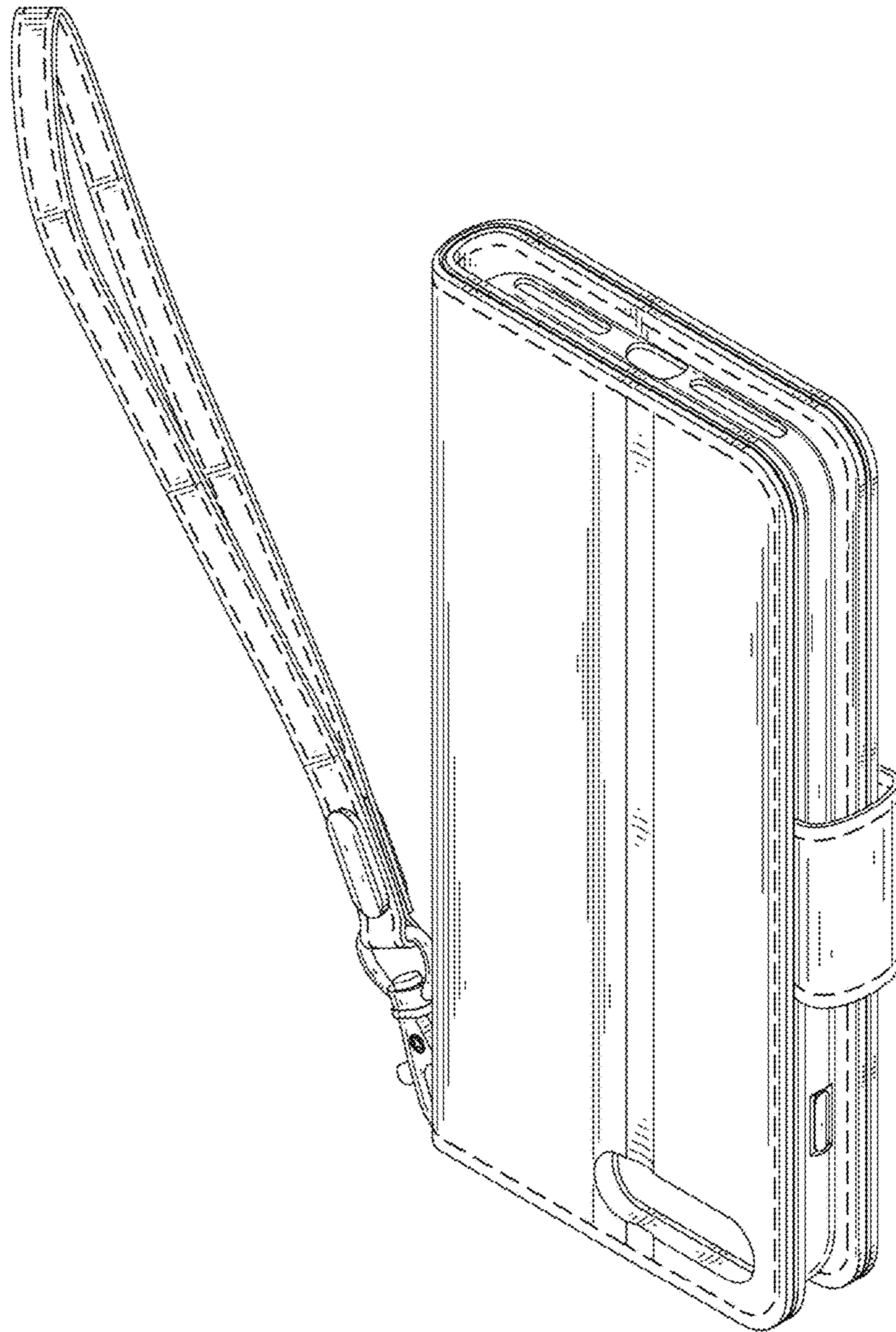


FIG. 2

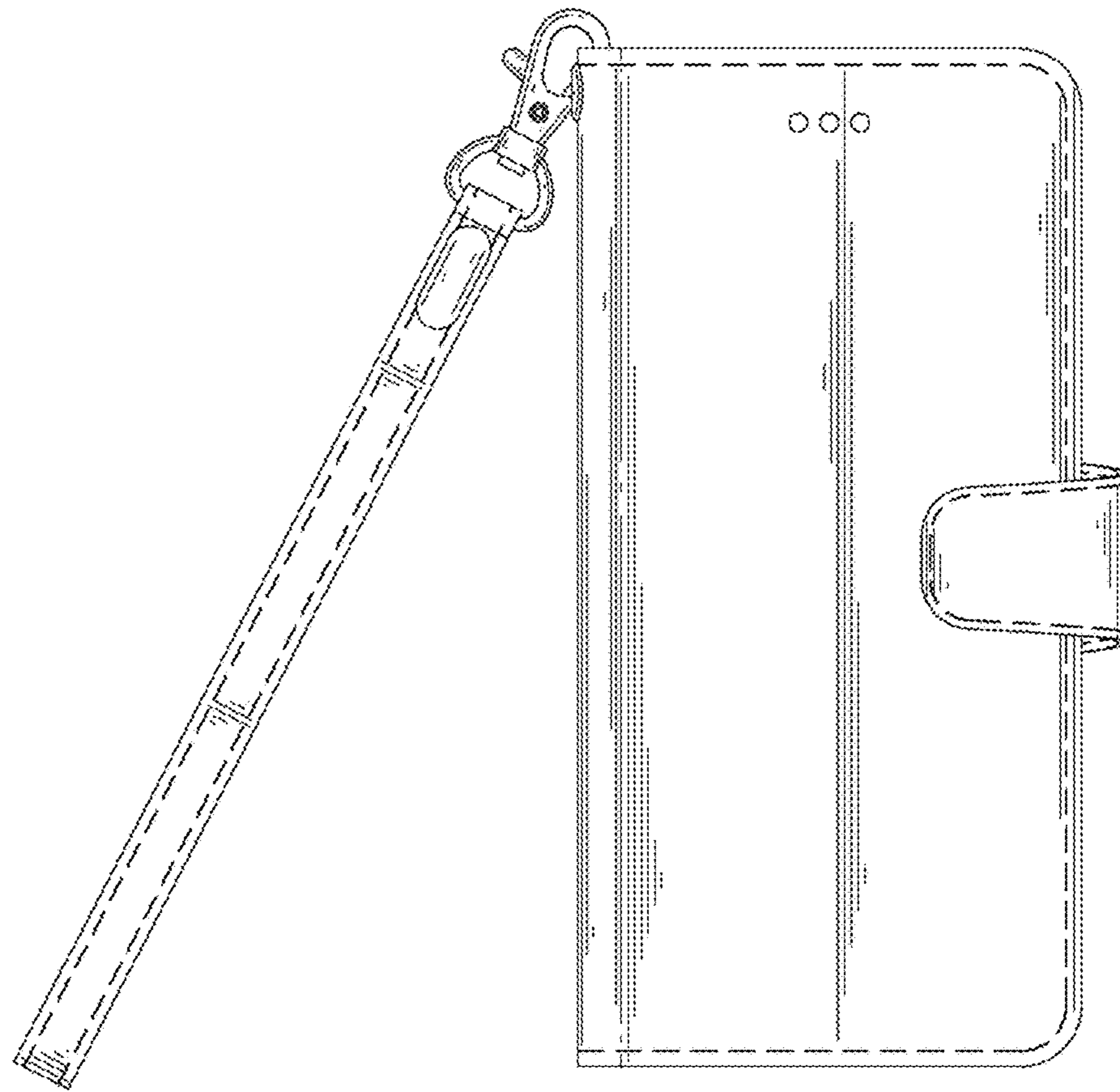


FIG. 3

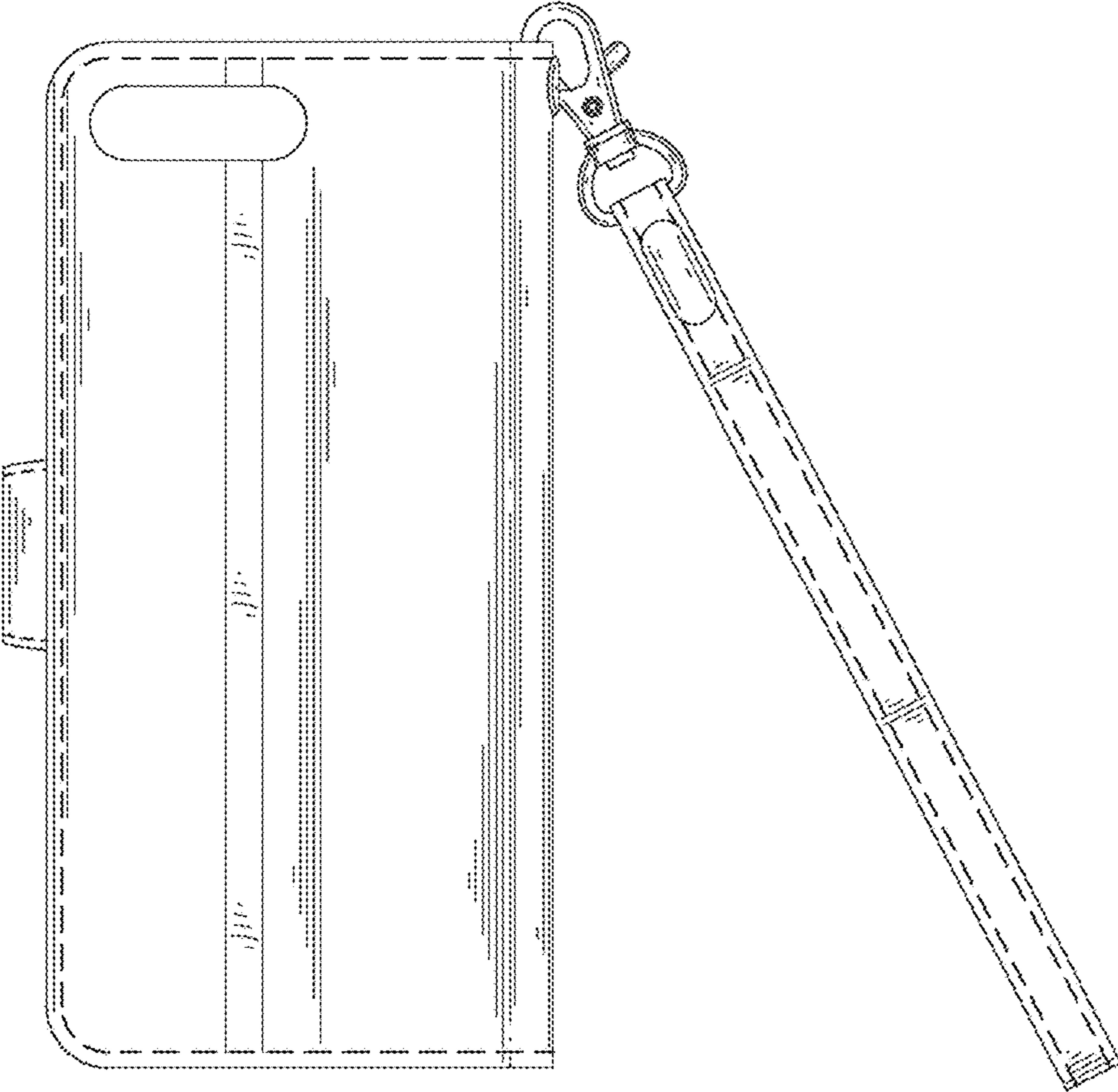


FIG. 4

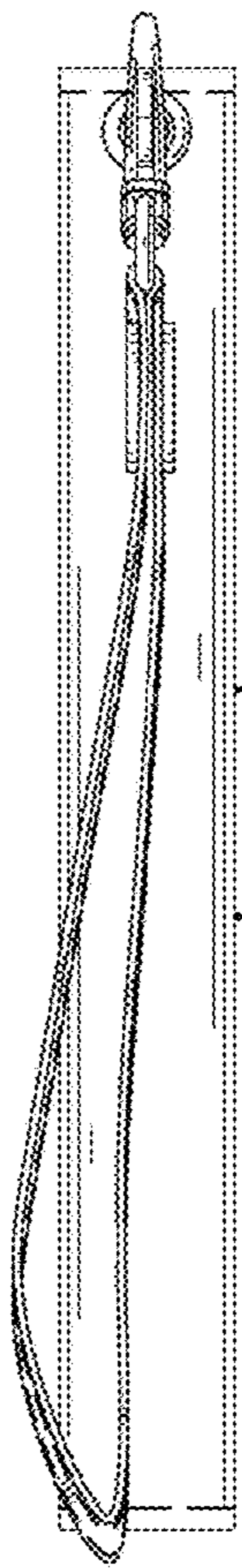


FIG. 5

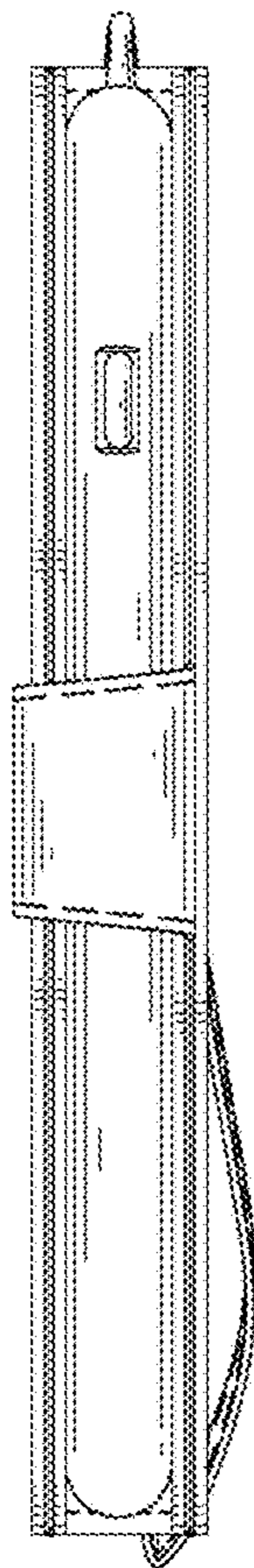


FIG. 6

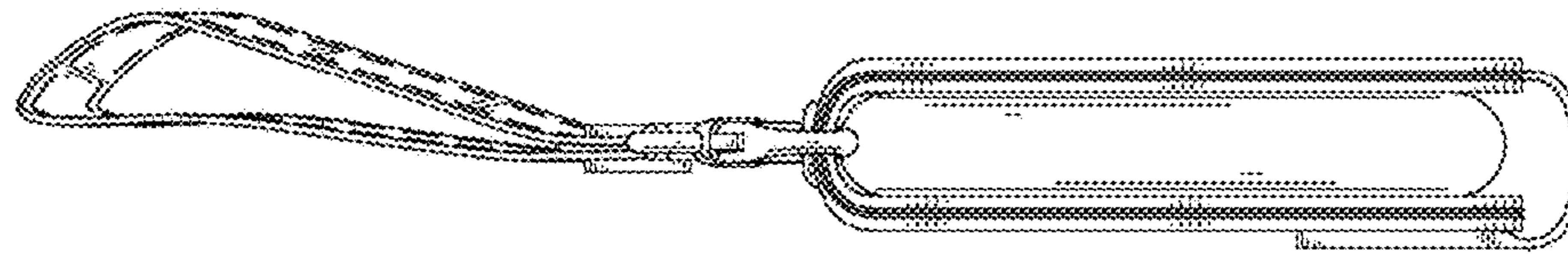


FIG. 7

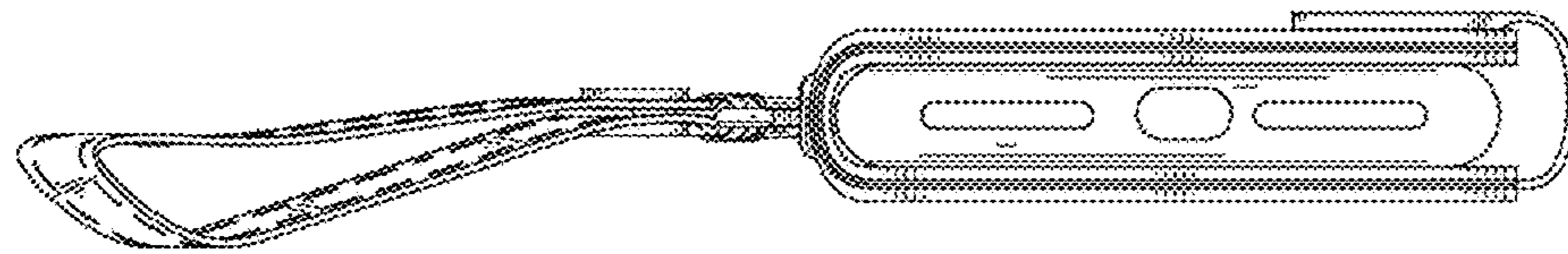


FIG. 8

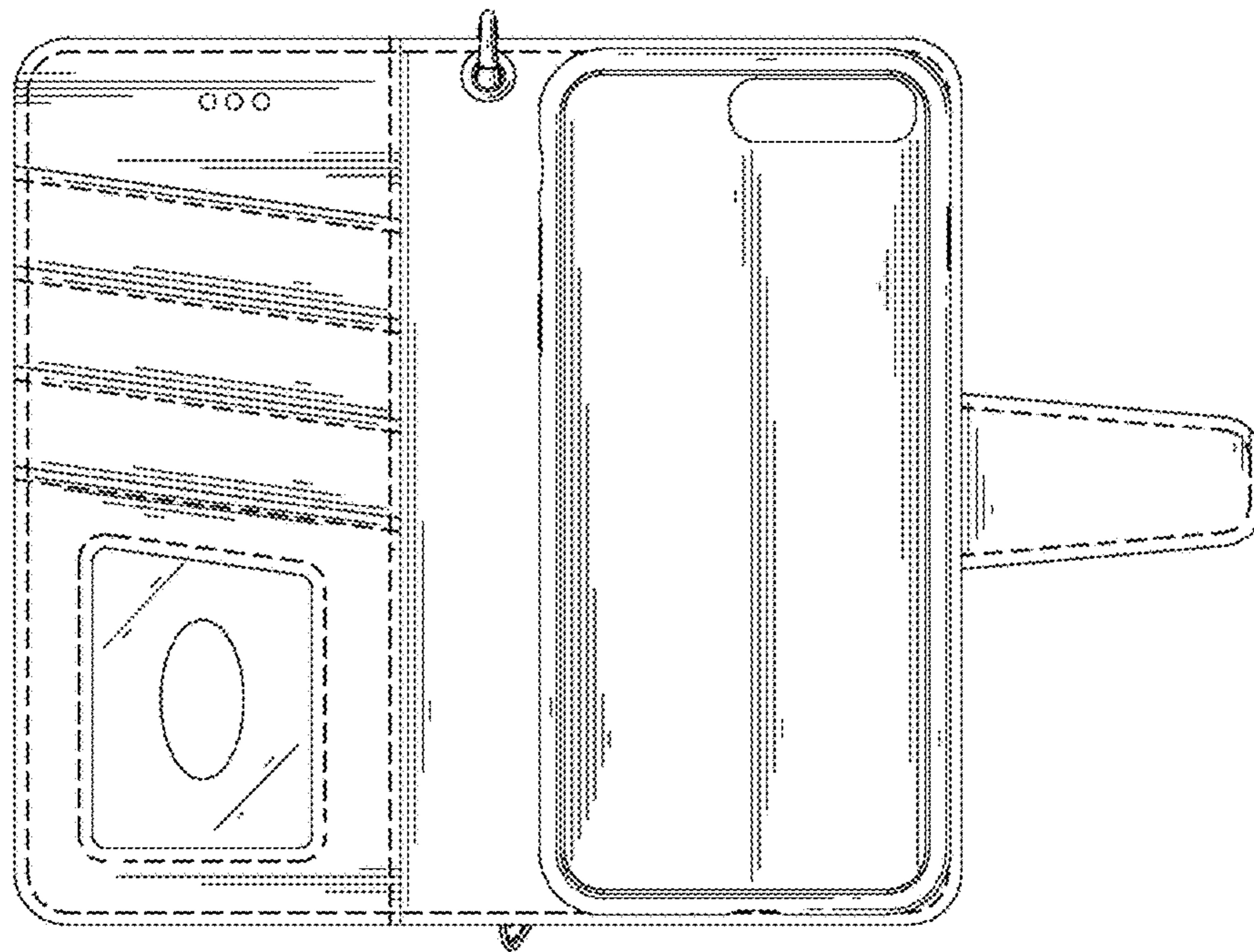


FIG. 9

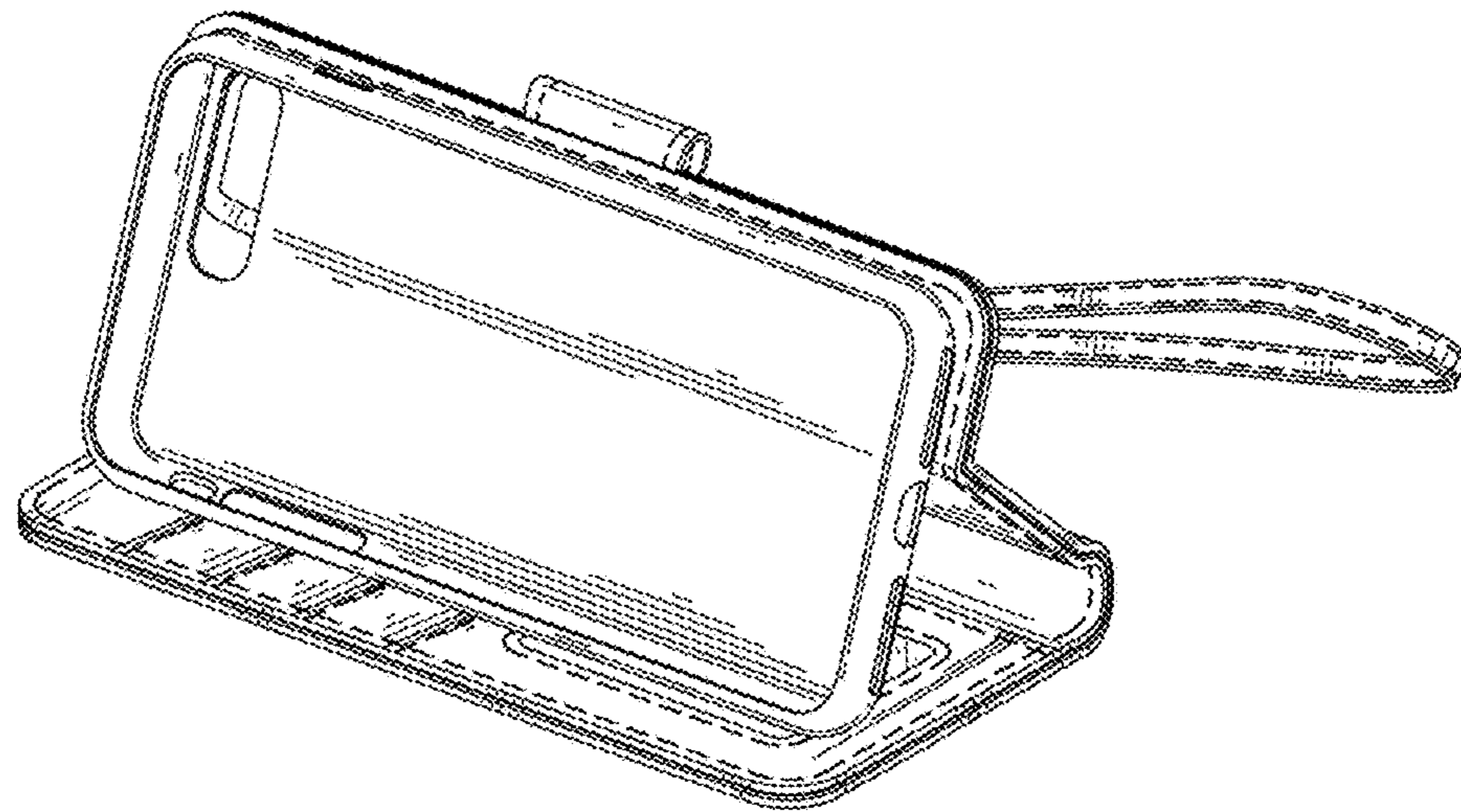


FIG. 10