



US00D843985S

(12) **United States Design Patent**  
**Zheng et al.**

(10) **Patent No.:** **US D843,985 S**  
(45) **Date of Patent:** **\*\* Mar. 26, 2019**

(54) **ANTENNA**

(71) Applicant: **Airgain Incorporated**, San Diego, CA (US)

(72) Inventors: **Bei Zheng**, Zhang Jia Gang (CN);  
**Xiangjie Bian**, Zhang Jia Gang (CN);  
**Simon Yang**, Carlsbad, CA (US)

(73) Assignee: **Airgain Incorporated**, San Diego, CA (US)

(\*\*) Term: **15 Years**

(21) Appl. No.: **29/625,128**

(22) Filed: **Nov. 7, 2017**

**Related U.S. Application Data**

(62) Division of application No. 29/555,724, filed on Feb. 24, 2016, now Pat. No. Des. 802,569.

(51) **LOC (11) Cl.** ..... **14-03**

(52) **U.S. Cl.**  
USPC ..... **D14/230**

(58) **Field of Classification Search**  
USPC ..... D14/138, 230, 231, 232, 234, 235, 236,  
D14/237, 238, 238.1, 250, 299, 358;  
D13/175, 182

CPC ..... G01R 29/10; G01S 2013/0245; G01S  
2013/0254; G01S 2013/0263; G01S  
7/4026; G05B 2219/45001; G06K  
19/07773; G06K 19/07775; G06K  
19/07777; G08B 13/2468; G08B 13/2477;  
H01Q 1/088

See application file for complete search history.

(56) **References Cited**

U.S. PATENT DOCUMENTS

7,986,278 B2 *	7/2011	Wu	.....	H01Q 13/10 343/700 R
D802,569 S *	11/2017	Zheng	.....	D14/230
D820,241 S *	6/2018	Howard	.....	D14/230
D820,817 S *	6/2018	Hsieh	.....	D14/230
2006/0044196 A1 *	3/2006	Grant	.....	H01Q 1/3275 343/713
2010/0188297 A1 *	7/2010	Chen	.....	H01Q 1/243 343/702

\* cited by examiner

*Primary Examiner* — Khawaja Anwar

*Assistant Examiner* — Mojtaba Tehrani

(74) *Attorney, Agent, or Firm* — Clause Eight IPS;  
Michael Catania

(57) **CLAIM**

The ornamental design for an antenna, as shown and described.

**DESCRIPTION**

FIG. 1 is a top plan view of an antenna, showing our new design;

FIG. 2 is a side elevation view thereof;

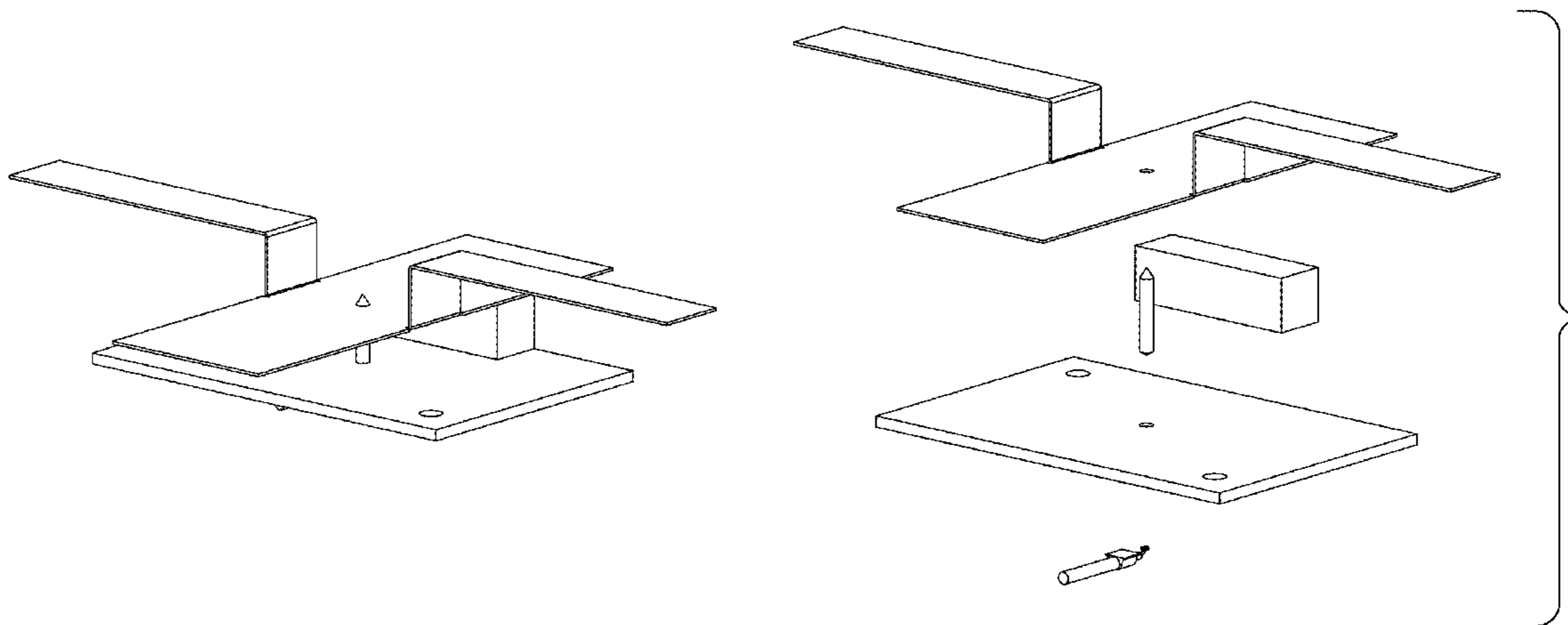
FIG. 3 is a bottom plan view thereof;

FIG. 4 is a top perspective view thereof;

FIG. 5 is a front elevation view thereof; and,

FIG. 6 is an exploded top perspective view thereof.

**1 Claim, 4 Drawing Sheets**



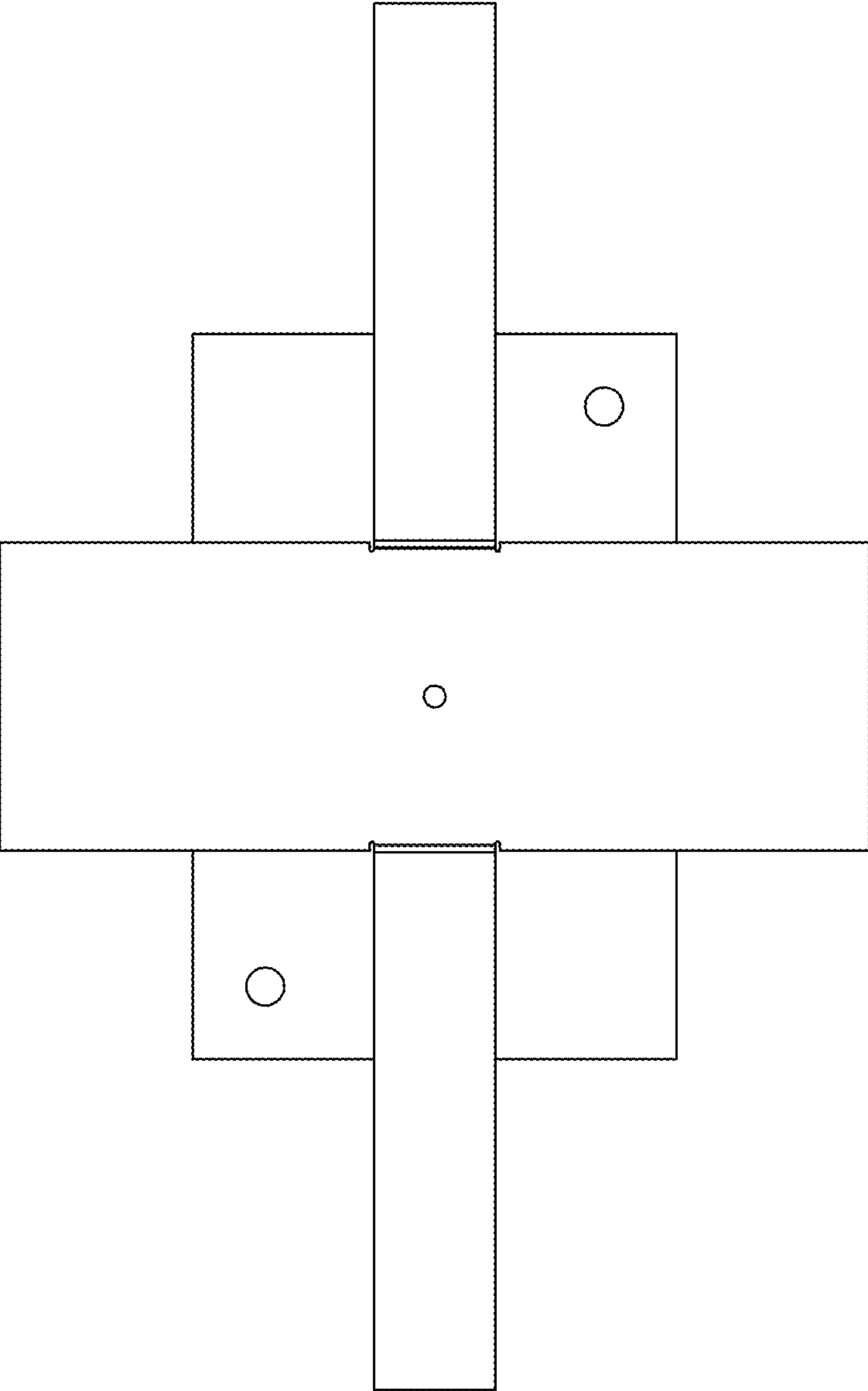


FIG. 1

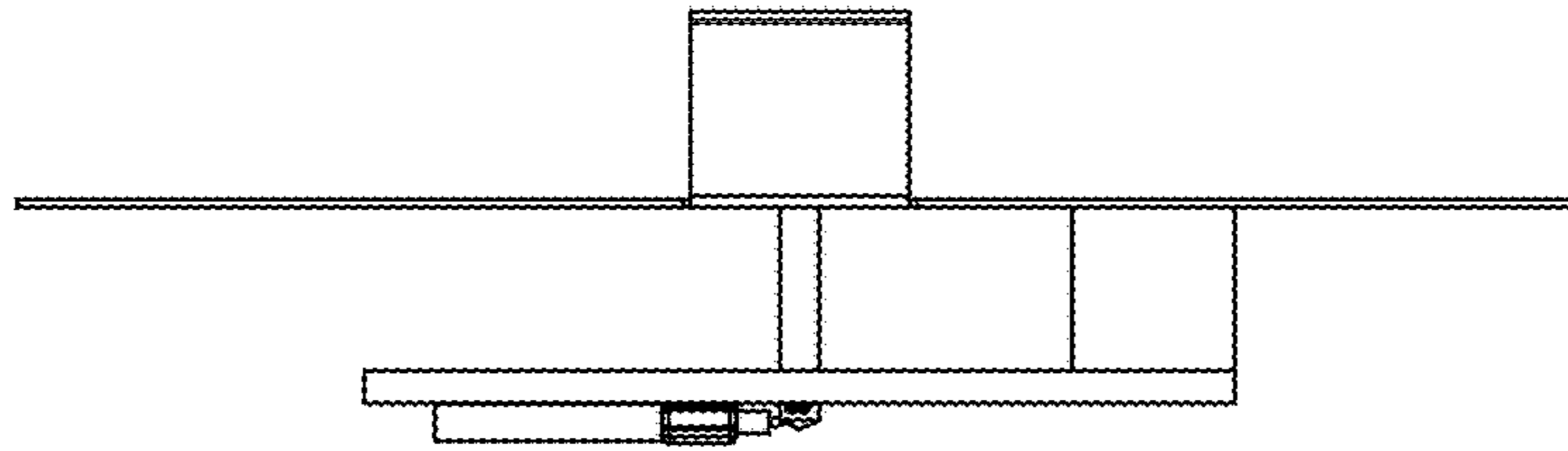


FIG. 2

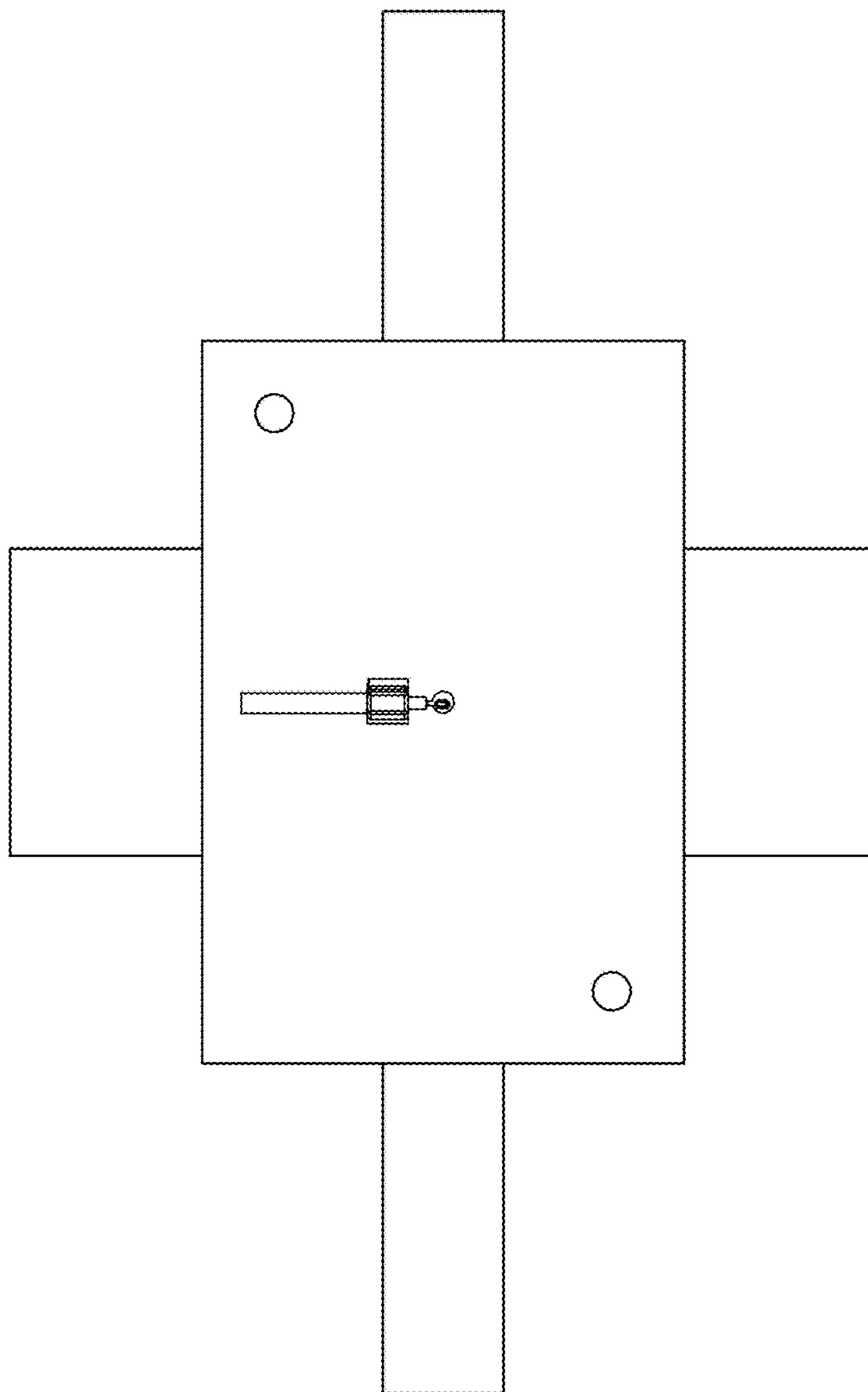


FIG. 3

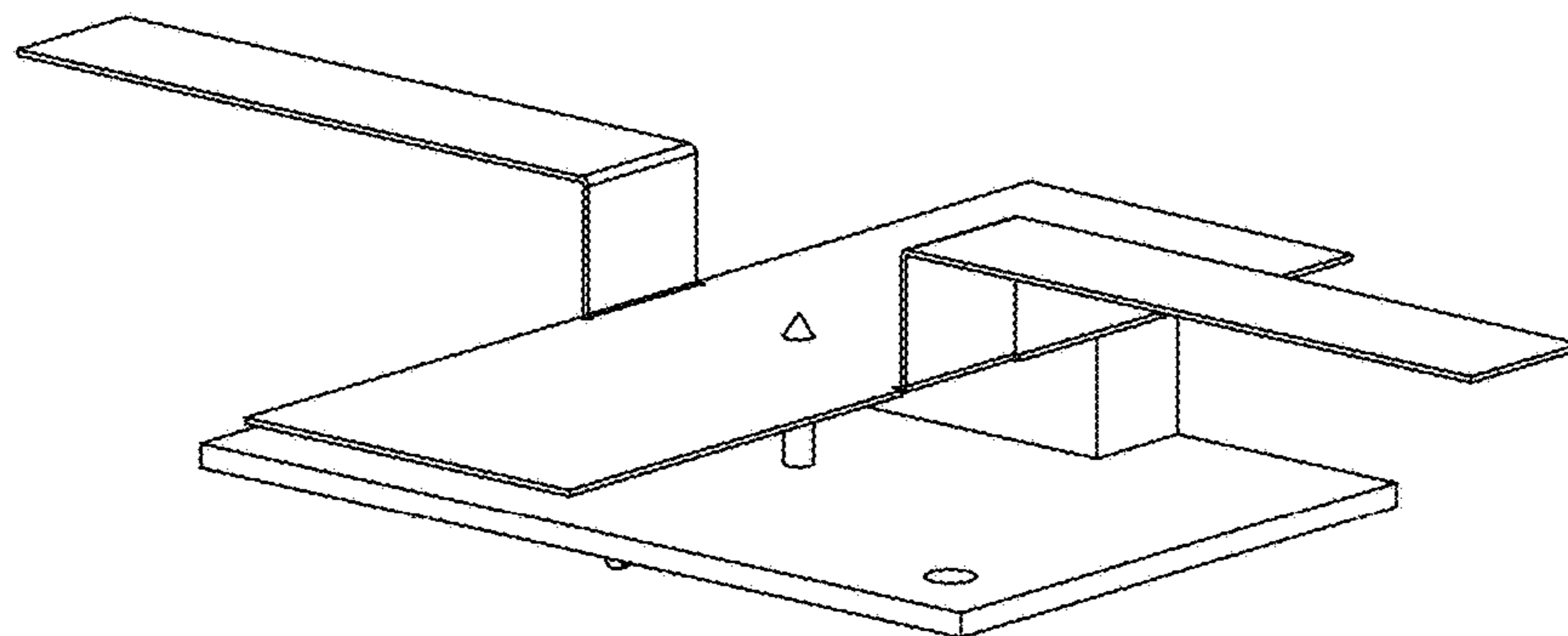


FIG. 4

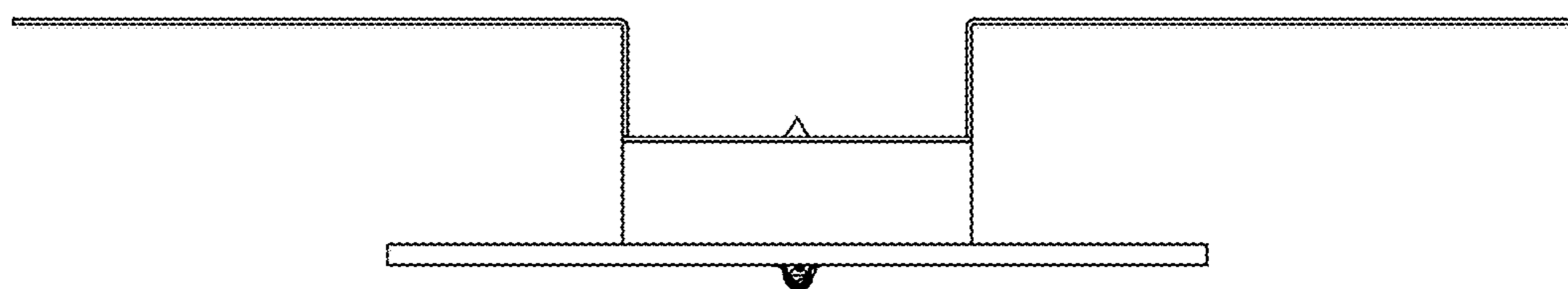


FIG. 5

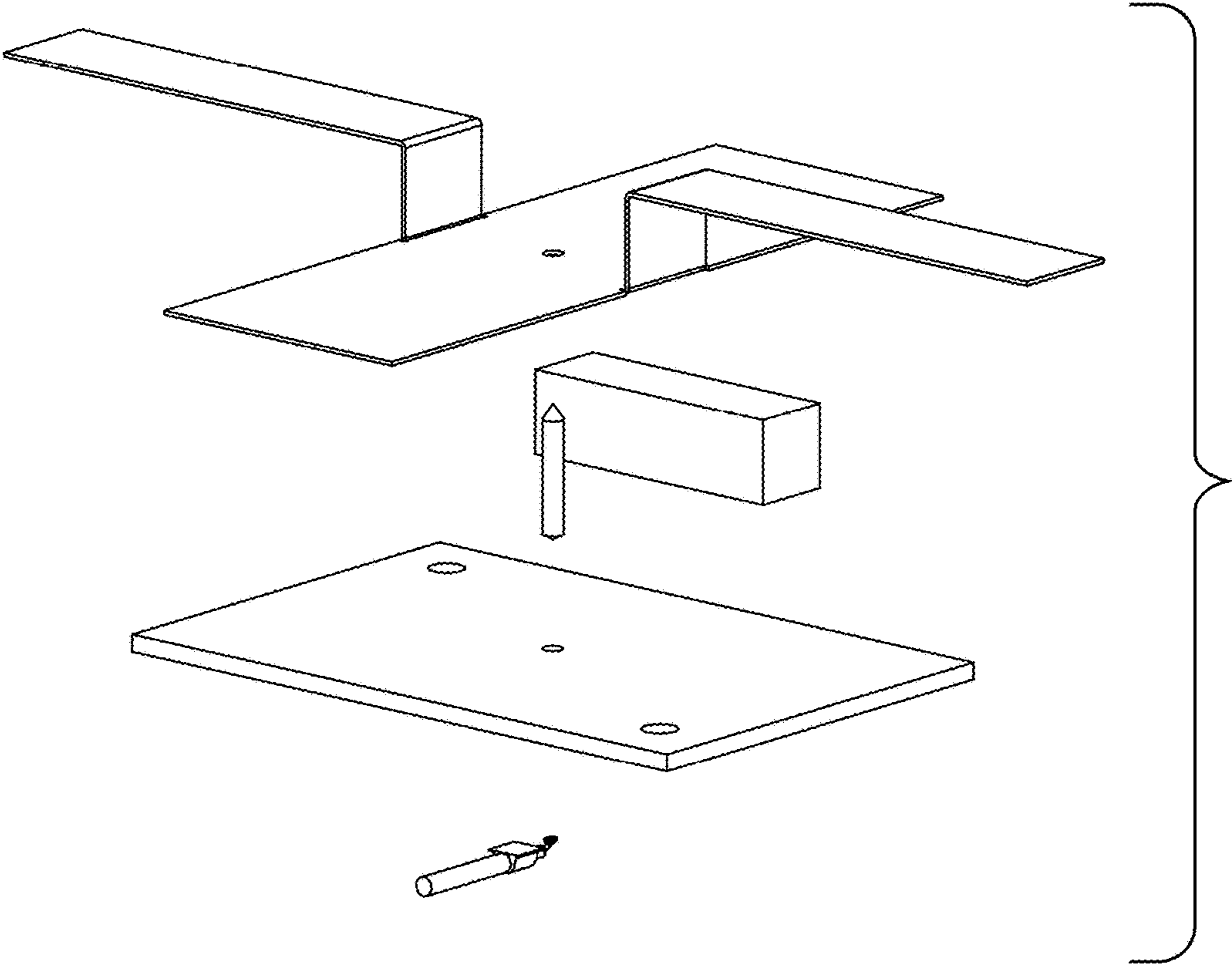


FIG. 6