

US00D843980S

(12) **United States Design Patent**
Yang

(10) **Patent No.:** **US D843,980 S**

(45) **Date of Patent:** **** Mar. 26, 2019**

(54) **ANTENNA**

(71) Applicant: **SHENZHEN ANTOP TECHNOLOGY LIMITED**, Shenzhen (CN)

(72) Inventor: **Ruidian Yang**, Shenzhen (CN)

(73) Assignee: **SHENZHEN ANTOP TECHNOLOGY LIMITED**, Shenzhen (CN)

(**) Term: **15 Years**

(21) Appl. No.: **29/614,145**

(22) Filed: **Aug. 16, 2017**

(51) **LOC (11) Cl.** **14-03**

(52) **U.S. Cl.**
USPC **D14/230**

(58) **Field of Classification Search**
USPC ... D14/230.1, 203.3, 203.6, 230-238, 238.1, D14/204, 216, 221, 240, 242, 299, 314, D14/343, 496, 509, 497, 498, 500, 506, D14/168-172, 188, 195, 211, 265; D21/324, 332, 333, 487; D10/113.2
CPC H01Q 1/12; H01Q 1/22; H01Q 1/007; H01Q 1/38; H01Q 7/00; H01Q 9/40; H01Q 9/285; H01Q 9/065; H01Q 9/44; H01Q 9/265; H01Q 19/10; H01Q 19/106; H01Q 19/12; H01Q 19/13; H01Q 19/15; H01Q 19/30; H01Q 21/28; H01Q 21/06; H01Q 21/062; H01Q 21/293; G05D 1/02; G05D 1/0234

See application file for complete search history.

(56) **References Cited**

U.S. PATENT DOCUMENTS

D227,173 S * 6/1973 Howard D10/113.2
D294,171 S * 2/1988 Kostanecki D23/260

D303,970 S * 10/1989 Collins D14/216
D531,452 S * 11/2006 Toth D7/523
D534,898 S * 1/2007 Rashid D14/216
D604,277 S * 11/2009 Benedetti D14/230
D616,862 S * 6/2010 Kung D14/188
D649,880 S * 12/2011 Smith, III D9/500
D723,514 S * 3/2015 Lukic D14/213
D803,810 S * 11/2017 Lee D14/216
D808,928 S * 1/2018 Schaal D14/216
D810,049 S * 2/2018 Lee D14/216
D813,210 S * 3/2018 Benedetti D14/230
D822,716 S * 7/2018 Mangum D14/496
D828,323 S * 9/2018 Demin D14/172
D829,689 S * 10/2018 Kim D14/216

OTHER PUBLICATIONS

Terk Omni Tower Amplified multi-directional indoor TV antenna, online, first review Oct. 31, 2017, <URL: https://www.crutchfield.com/S-wRWqqandhg0/p_209OMNITWR/Terk-Omni-Tower.html>, retrieved Oct. 23, 2018.*

* cited by examiner

Primary Examiner — Jeffrey D Asch

Assistant Examiner — Rebekah A Caruso

(74) *Attorney, Agent, or Firm* — Muncy, Geissler, Olds & Lowe, P.C.

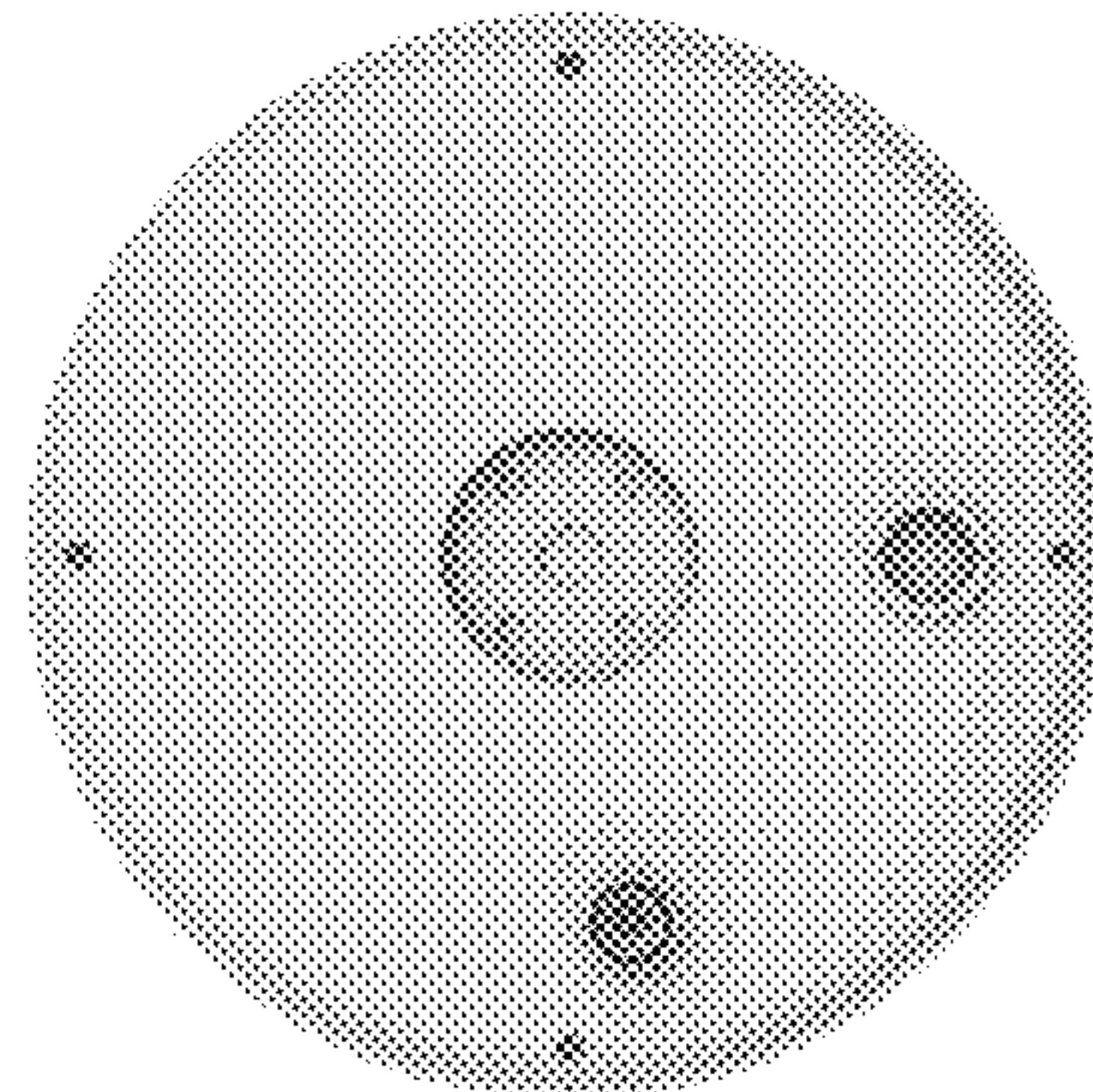
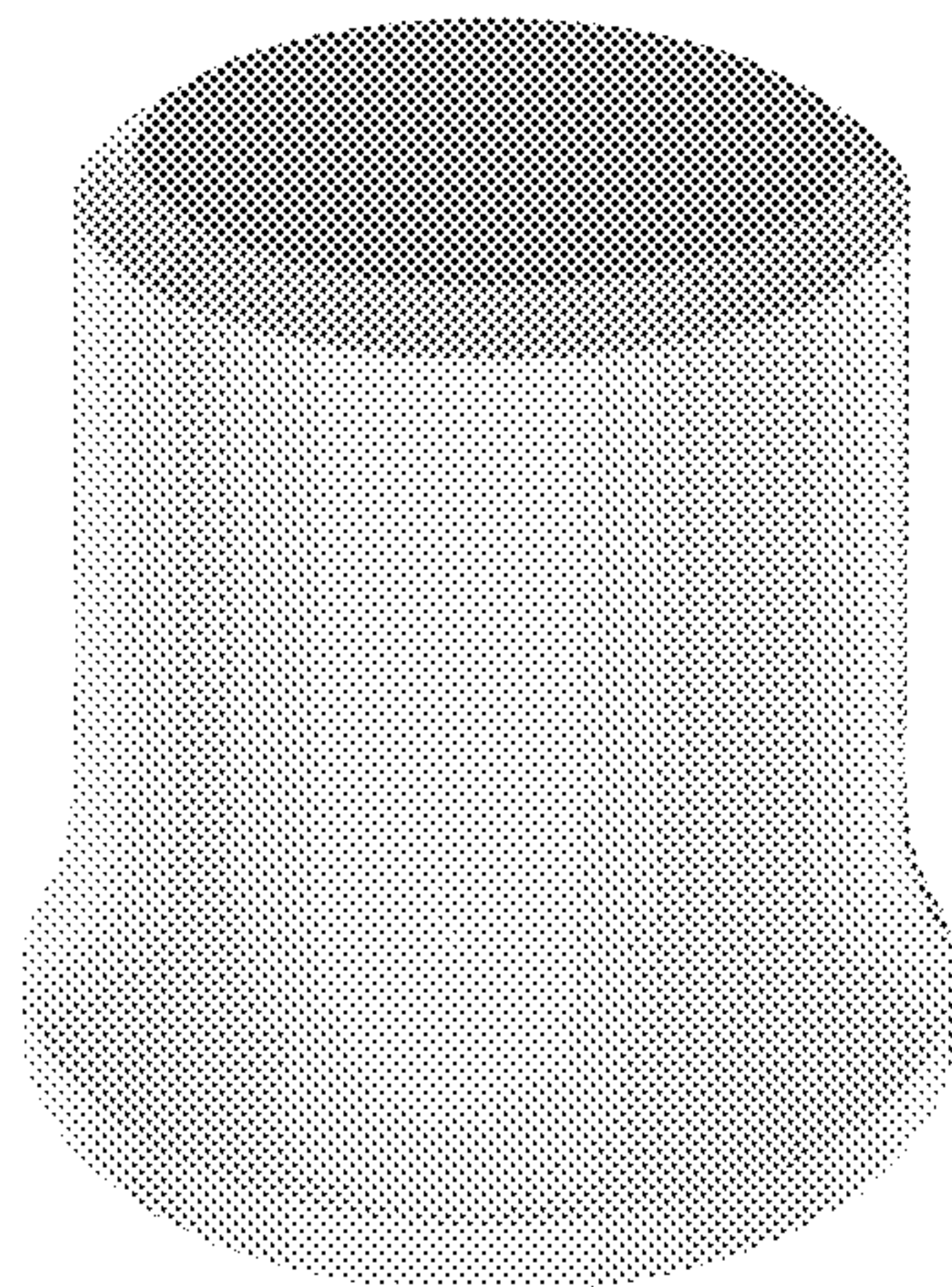
(57) **CLAIM**

The ornamental design for an antenna, as shown and described.

DESCRIPTION

FIG. 1 is a top perspective view of an antenna showing my new design;
FIG. 2 is a front view thereof, the rear view, right side view, and left side view being identical thereto;
FIG. 3 is a top plan view thereof;
FIG. 4 is a bottom plan view thereof; and,
FIG. 5 is a bottom perspective view thereof.

1 Claim, 5 Drawing Sheets



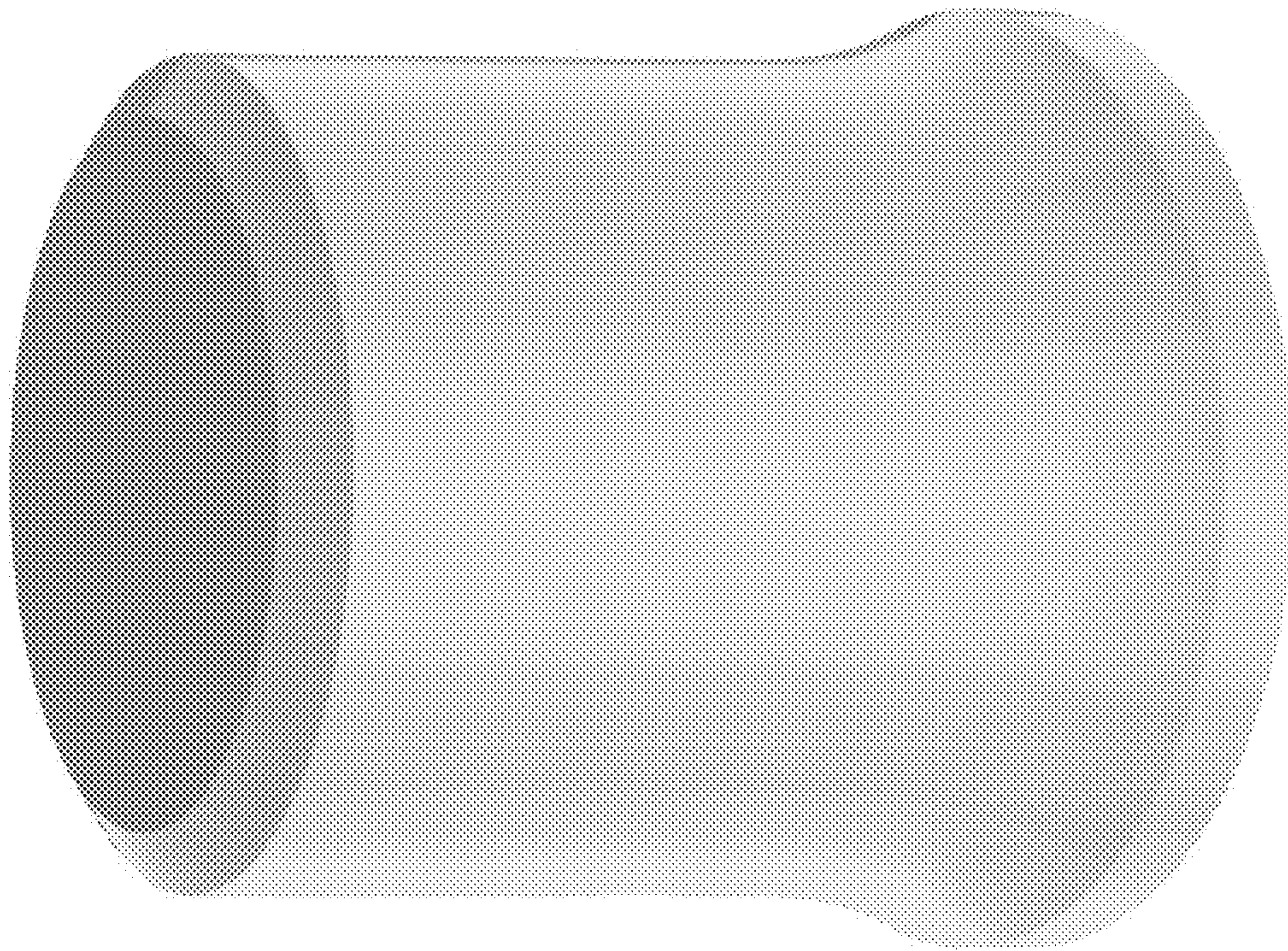


FIG. 1

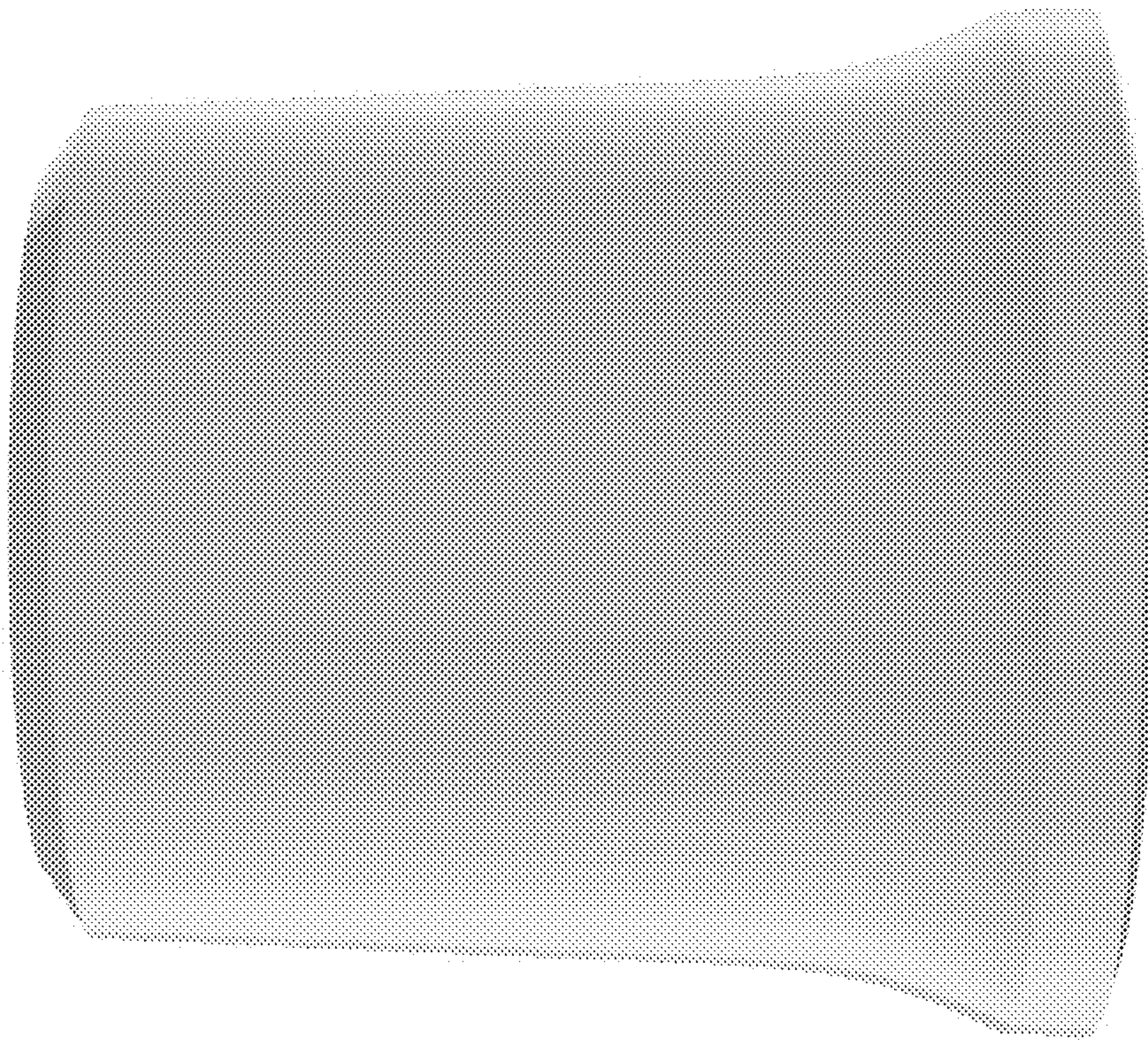


FIG. 2

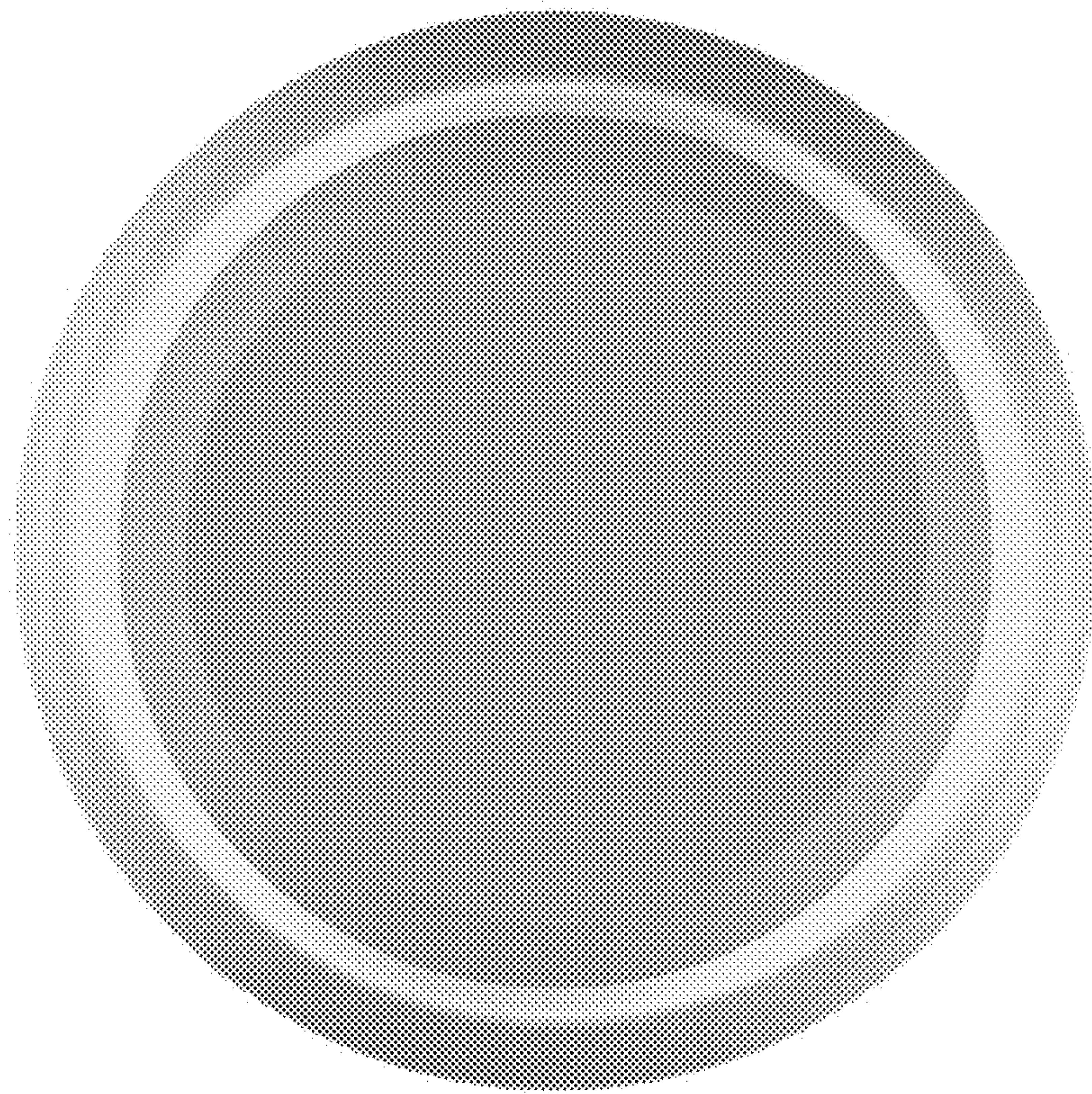
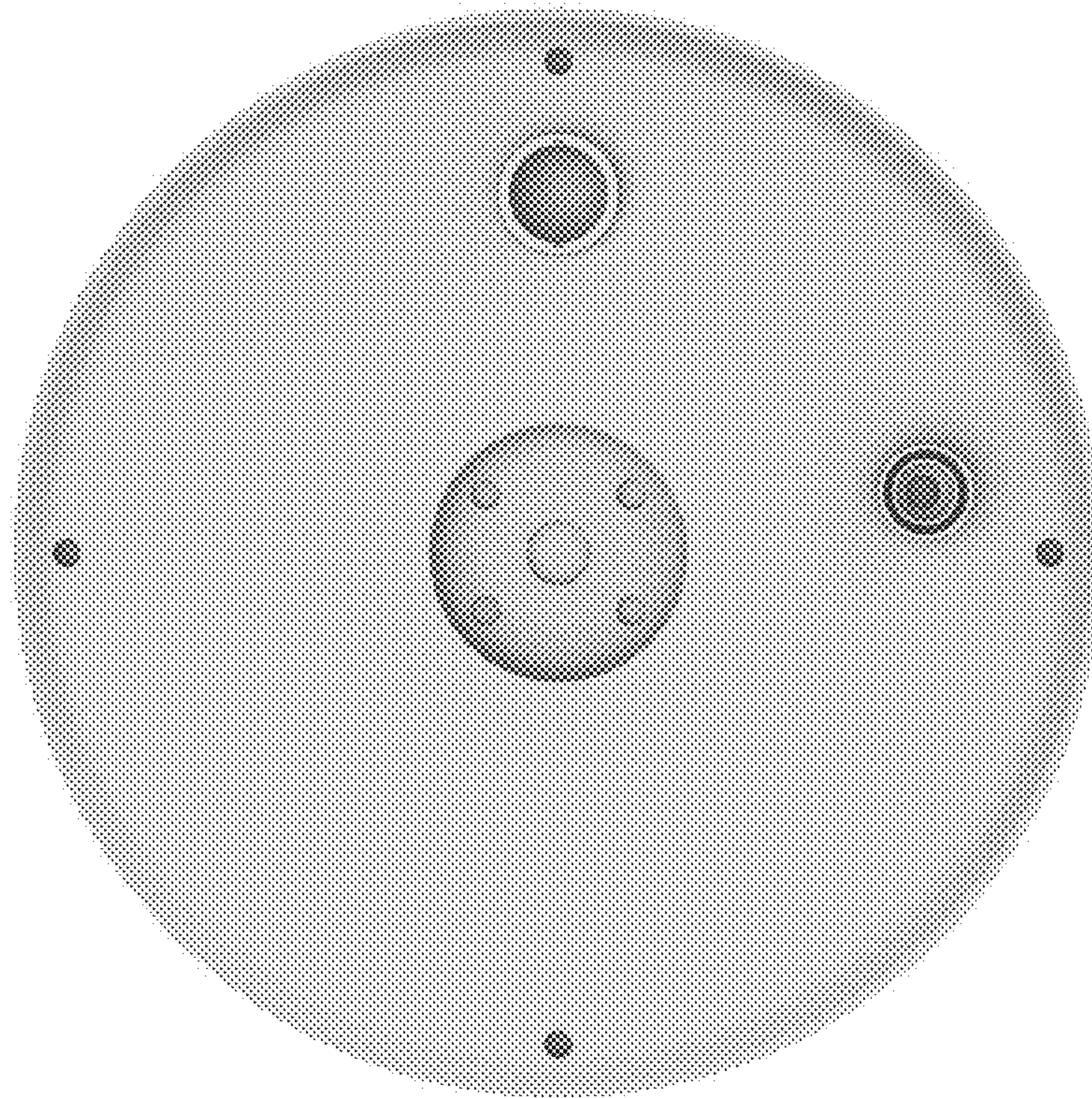


FIG. 3

FIG. 4



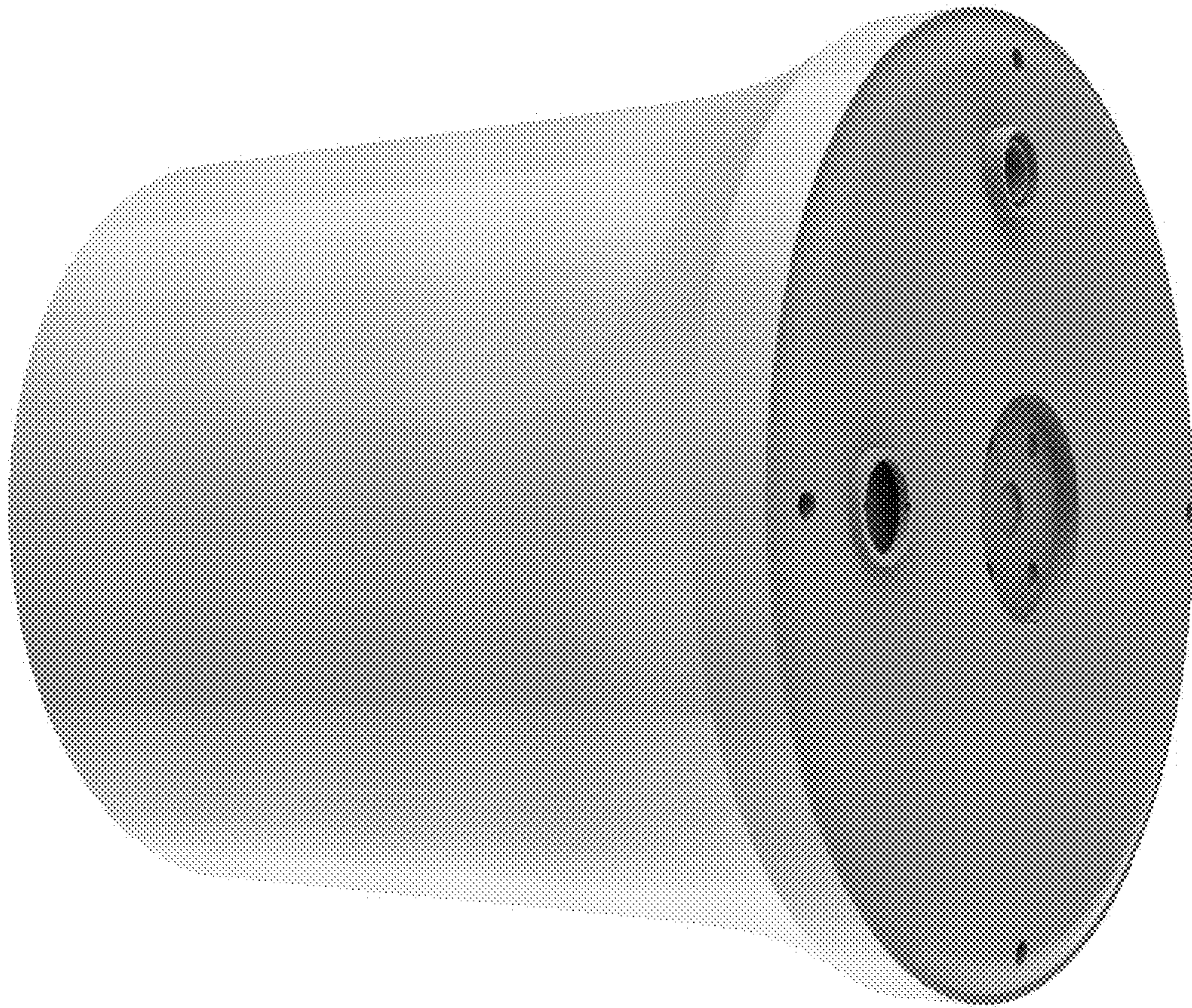


FIG. 5