



US00D843979S

(12) **United States Design Patent**
Boccio Vazquez

(10) **Patent No.:** **US D843,979 S**
(45) **Date of Patent:** **** Mar. 26, 2019**

- (54) **DESKTOP MICROPHONE STAND**
- (71) Applicant: **Eurogestores, S.P.R.L.**, Brussels (BE)
- (72) Inventor: **Jesus Maria Boccio Vazquez**, Brussels (BE)
- (73) Assignee: **Eurogestores, S.P.R.L.**, Brussels (BE)
- (**) Term: **15 Years**
- (21) Appl. No.: **29/605,123**
- (22) Filed: **May 24, 2017**

(30) **Foreign Application Priority Data**

Jan. 30, 2017 (EM) 003729219-0003
 Jan. 30, 2017 (EM) 003729219-0004
 Jan. 30, 2017 (EM) 003729219-0005

(51) **LOC (11) Cl.** **14-01**
 (52) **U.S. Cl.**
 USPC **D14/229**

(58) **Field of Classification Search**
 USPC D14/221, 225, 226, 227, 228, 229, 150,
 D14/154, 155, 158, 160, 172
 CPC H04R 19/04; H04R 19/00; H04R 1/406;
 H04R 1/08; H04R 1/04; H04R 1/326;
 H04R 29/004; H04R 2410/00; H04R
 2410/01; H04R 2410/03; H04R 2410/05;
 H04R 2410/07; H04R 2420/07; H04R
 17/02

See application file for complete search history.

(56) **References Cited**

U.S. PATENT DOCUMENTS

D314,962 S * 2/1991 Hilton D14/185
 5,799,096 A * 8/1998 Liao H04R 1/083
 381/355
 D493,441 S * 7/2004 Sabick D14/149
 D504,894 S * 5/2005 Soto D14/226

D651,192 S * 12/2011 Timmer D14/159
 D718,748 S * 12/2014 Pan D14/159
 D746,269 S * 12/2015 Chen D14/227
 D761,234 S * 7/2016 Aglassinger D14/226
 D831,621 S * 10/2018 Ito D14/227
 2003/0134666 A1* 7/2003 Fletcher H04M 1/725
 455/575.2
 2005/0272476 A1* 12/2005 Eaton H04R 1/08
 455/569.1

OTHER PUBLICATIONS

TableMike™ Desktop microphones, no posting date given [online],
retrieved Dec. 14, 2018, retrieved from internet, <<https://www.speechware.be/en/hardwareTableMike.php>>.*

(Continued)

Primary Examiner — Barbara Fox
Assistant Examiner — Messina L Smith
 (74) *Attorney, Agent, or Firm* — Kirschstein, Israel,
 Schiffmiller & Pieroni, P.C.

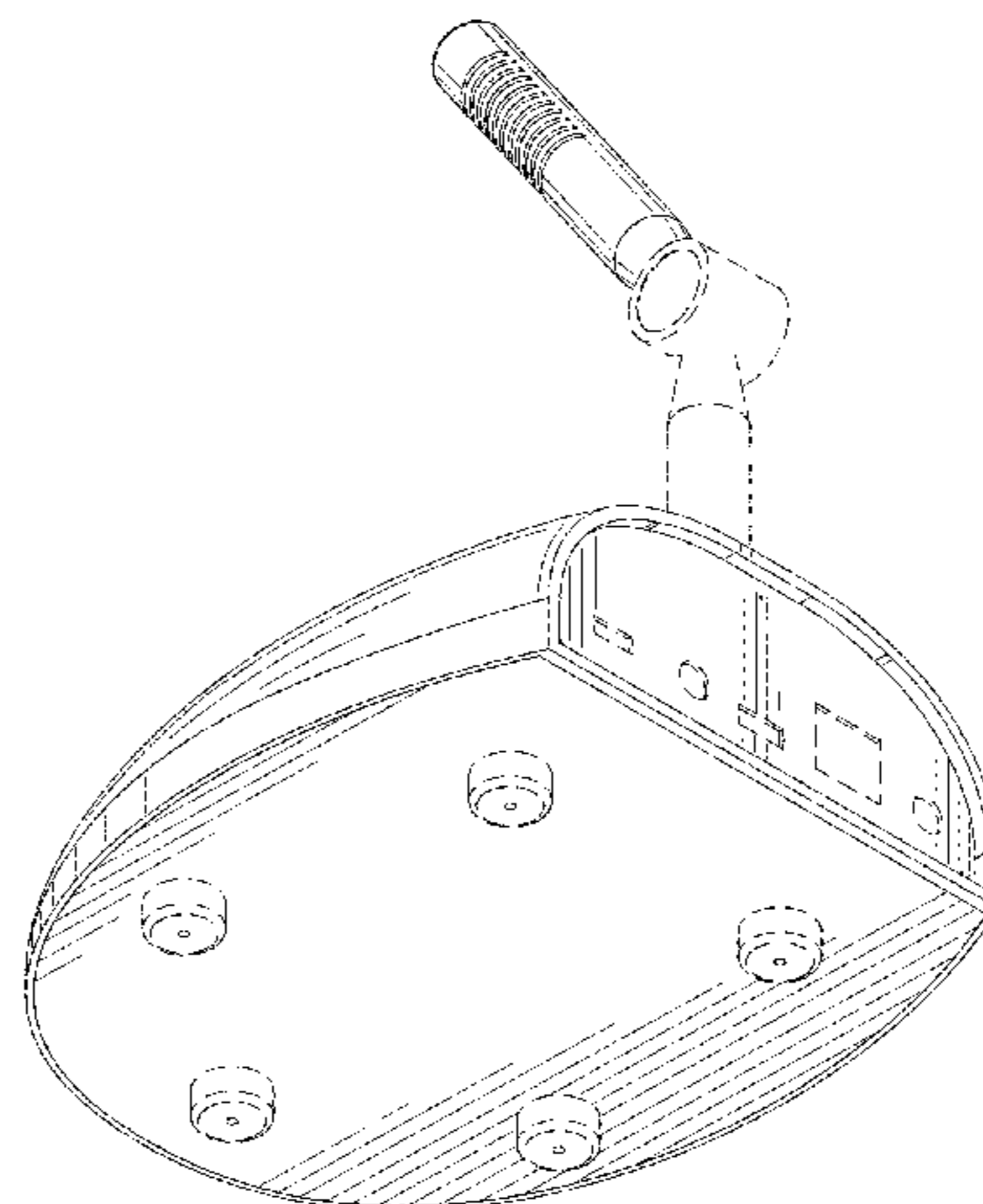
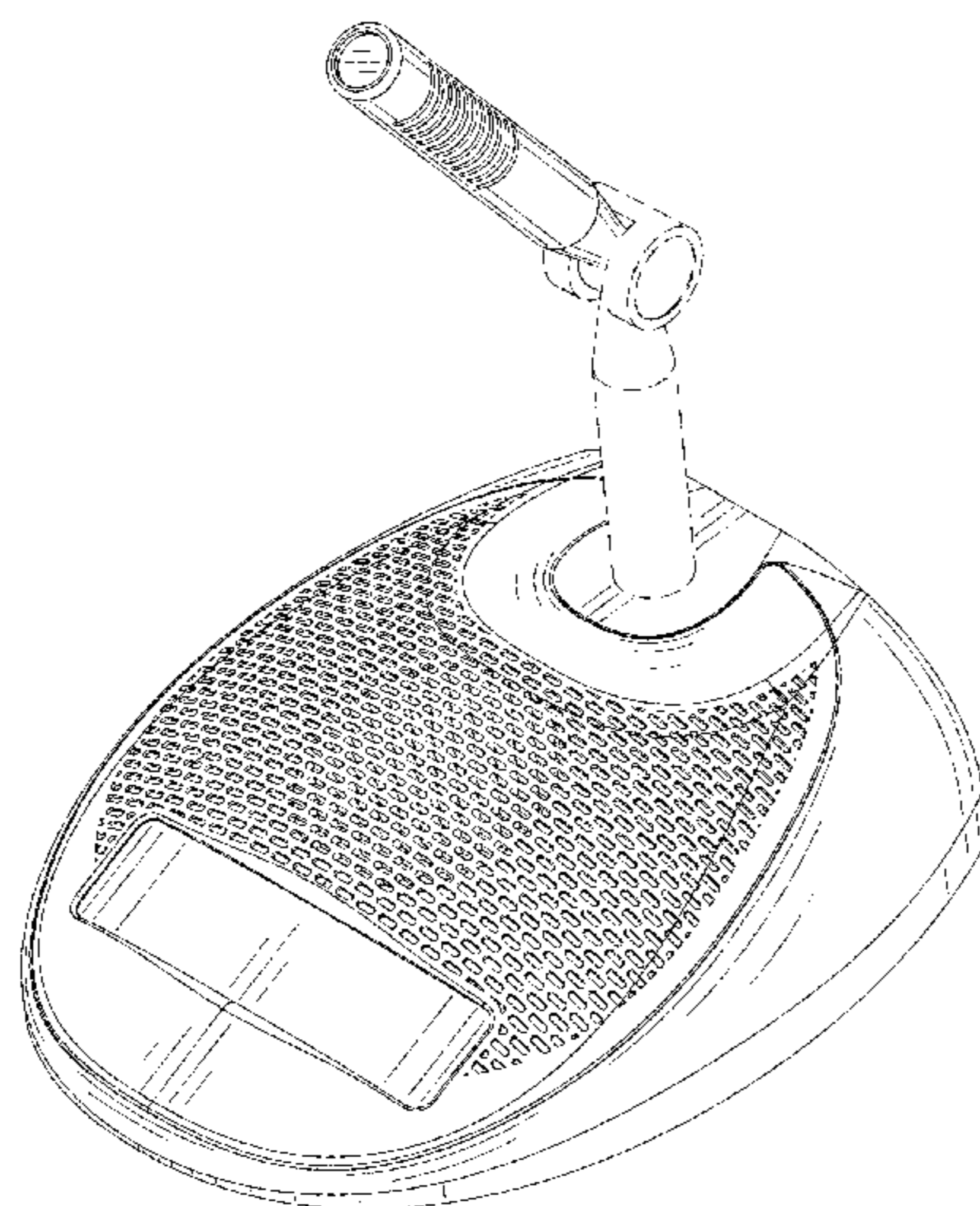
(57) **CLAIM**

The ornamental design for a desktop microphone stand, as shown and described.

DESCRIPTION

FIG. 1 is a front, overhead, perspective view of a desktop microphone stand according to my new design.
 FIG. 2 is a rear, perspective view thereof as seen from below.
 FIG. 3 is a front elevational view thereof.
 FIG. 4 is a rear elevational view thereof.
 FIG. 5 is a left side elevational view thereof.
 FIG. 6 is a right side elevational view thereof.
 FIG. 7 is a top plan view thereof; and,
 FIG. 8 is a bottom plan view thereof.
 The broken lines in the drawings depict portions of the desktop microphone stand that form no part of the claimed design.

1 Claim, 8 Drawing Sheets



(56)

References Cited

OTHER PUBLICATIONS

Click to Customise your TableMike, no posting date given [online],
retrieved Dec. 14, 2018, retrieved from internet, <[https://www.
tablemike.com/tablemikes/accessories/](https://www.tablemike.com/tablemikes/accessories/)>.*
Speechware USB 3-in-1 TableMike, [https://www.tablemike.com/
tablemikes/3-in-1](https://www.tablemike.com/tablemikes/3-in-1), accessed Apr. 20, 2017.

* cited by examiner

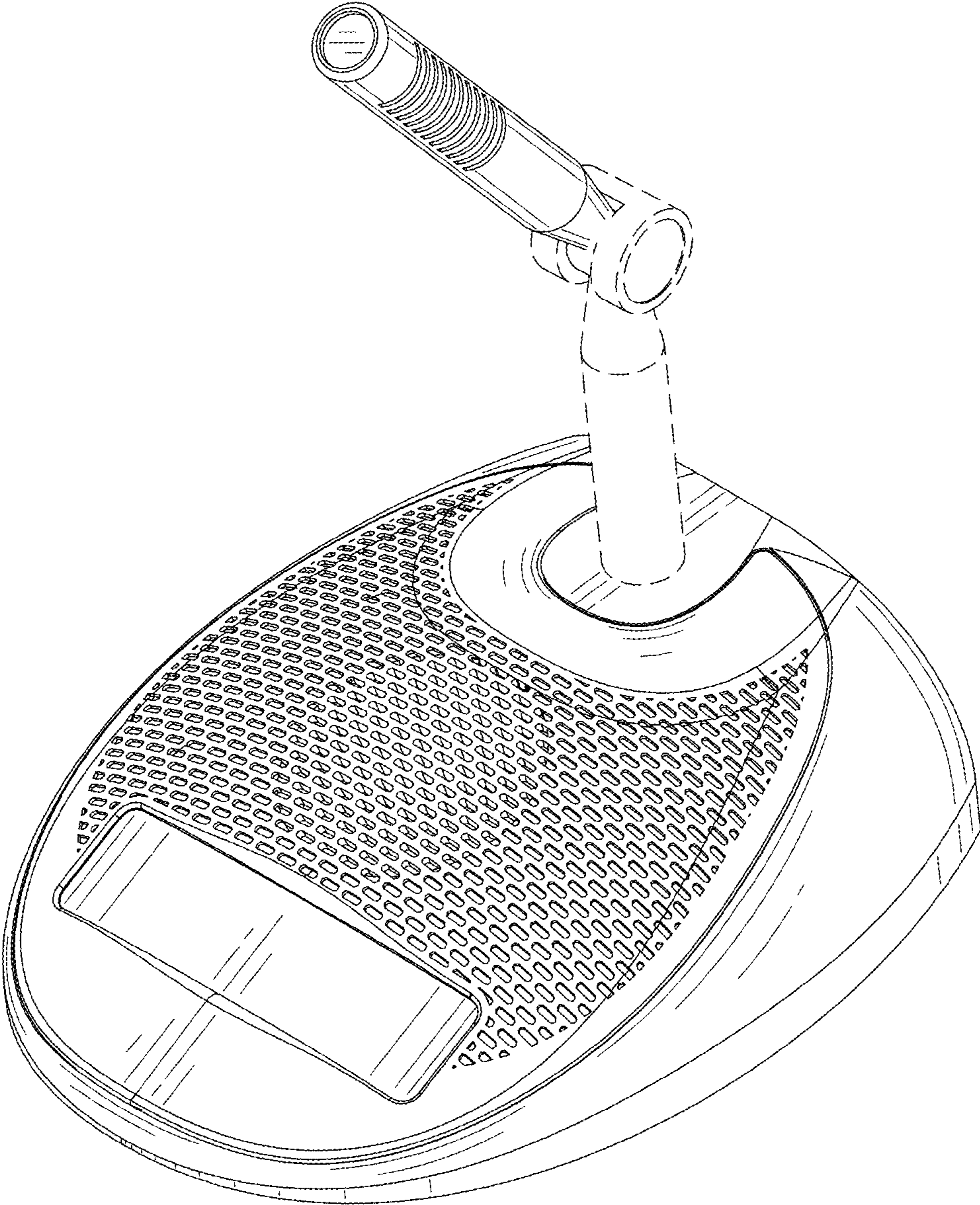


FIG. 1

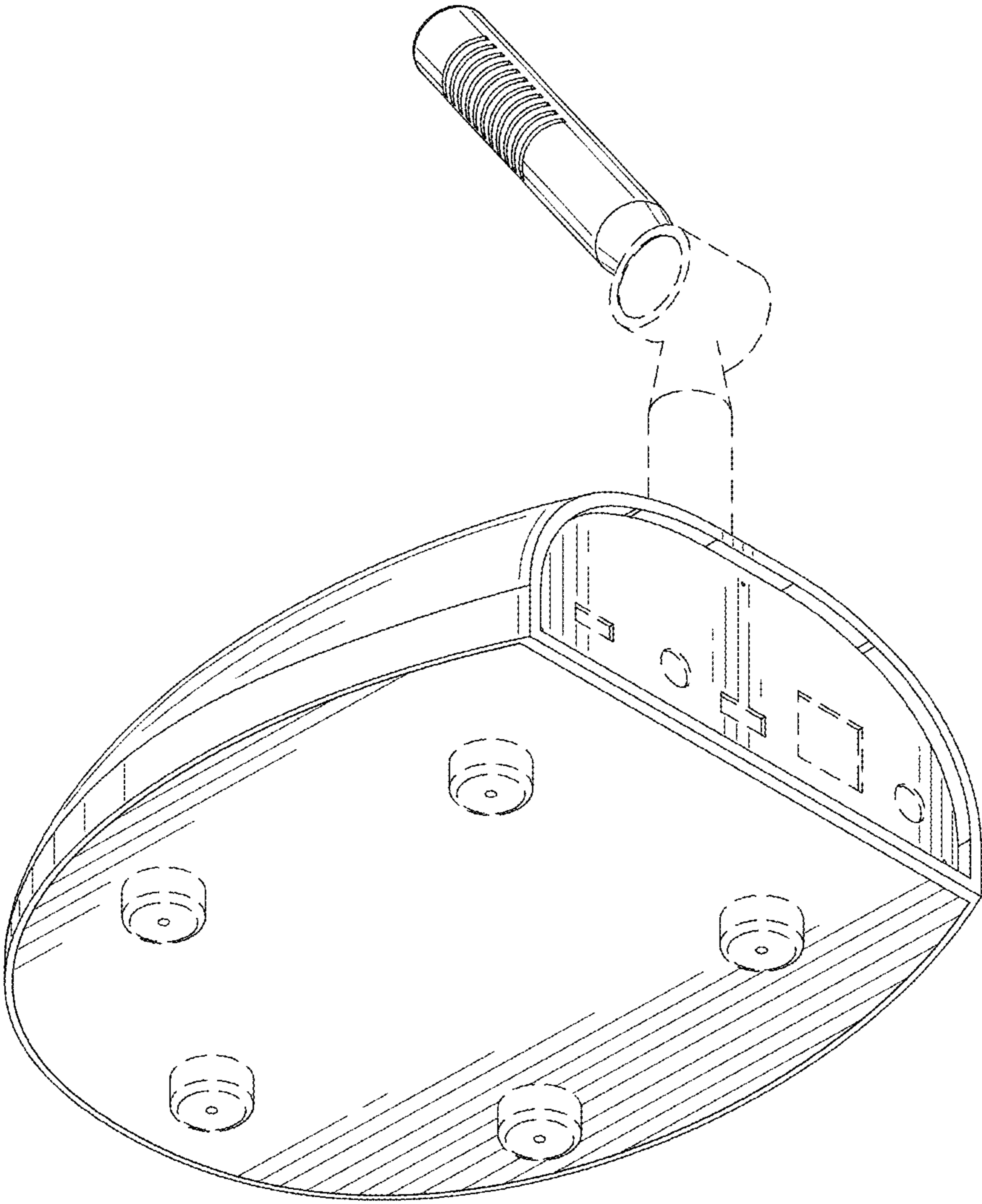


FIG. 2

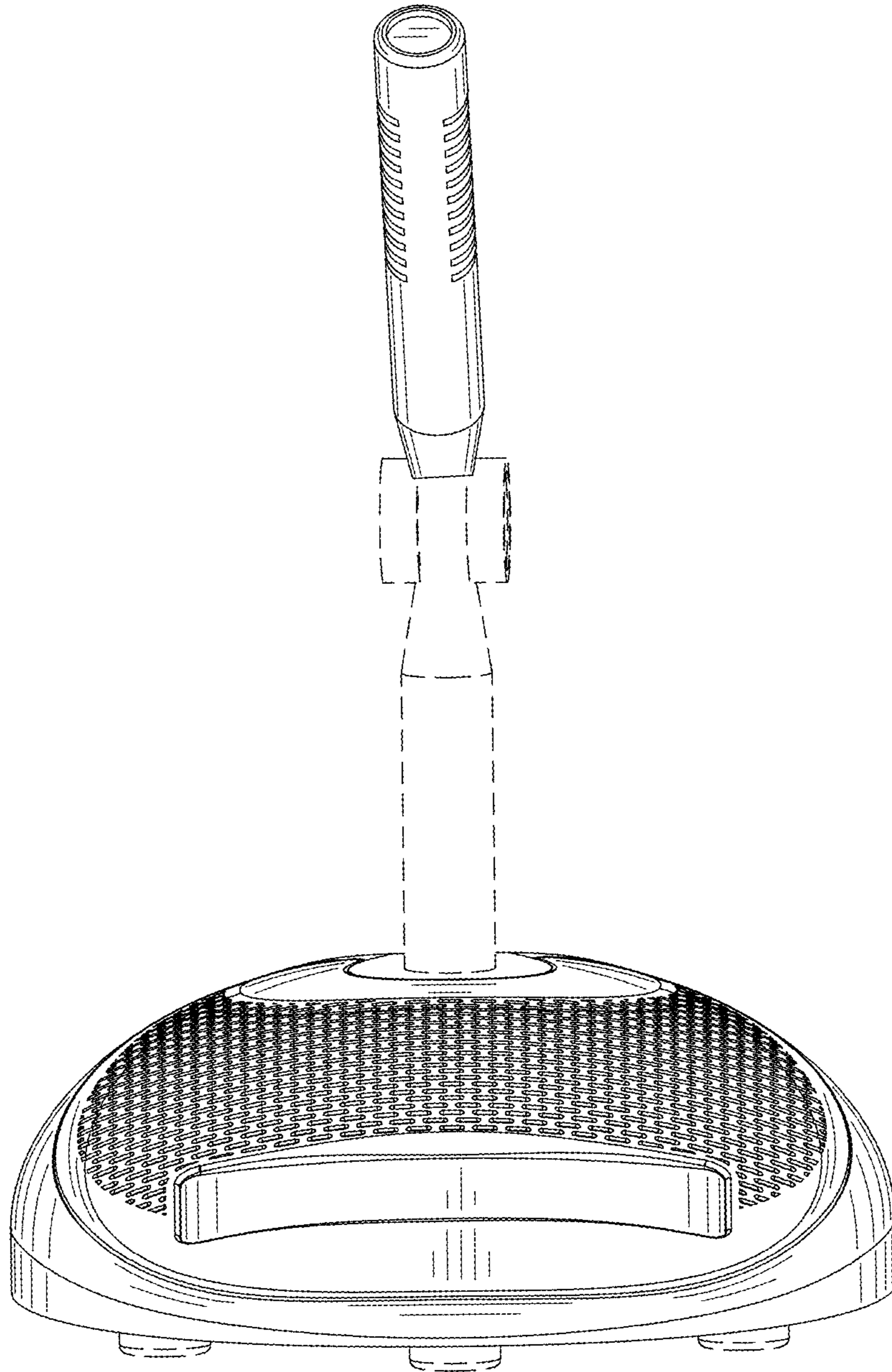


FIG. 3

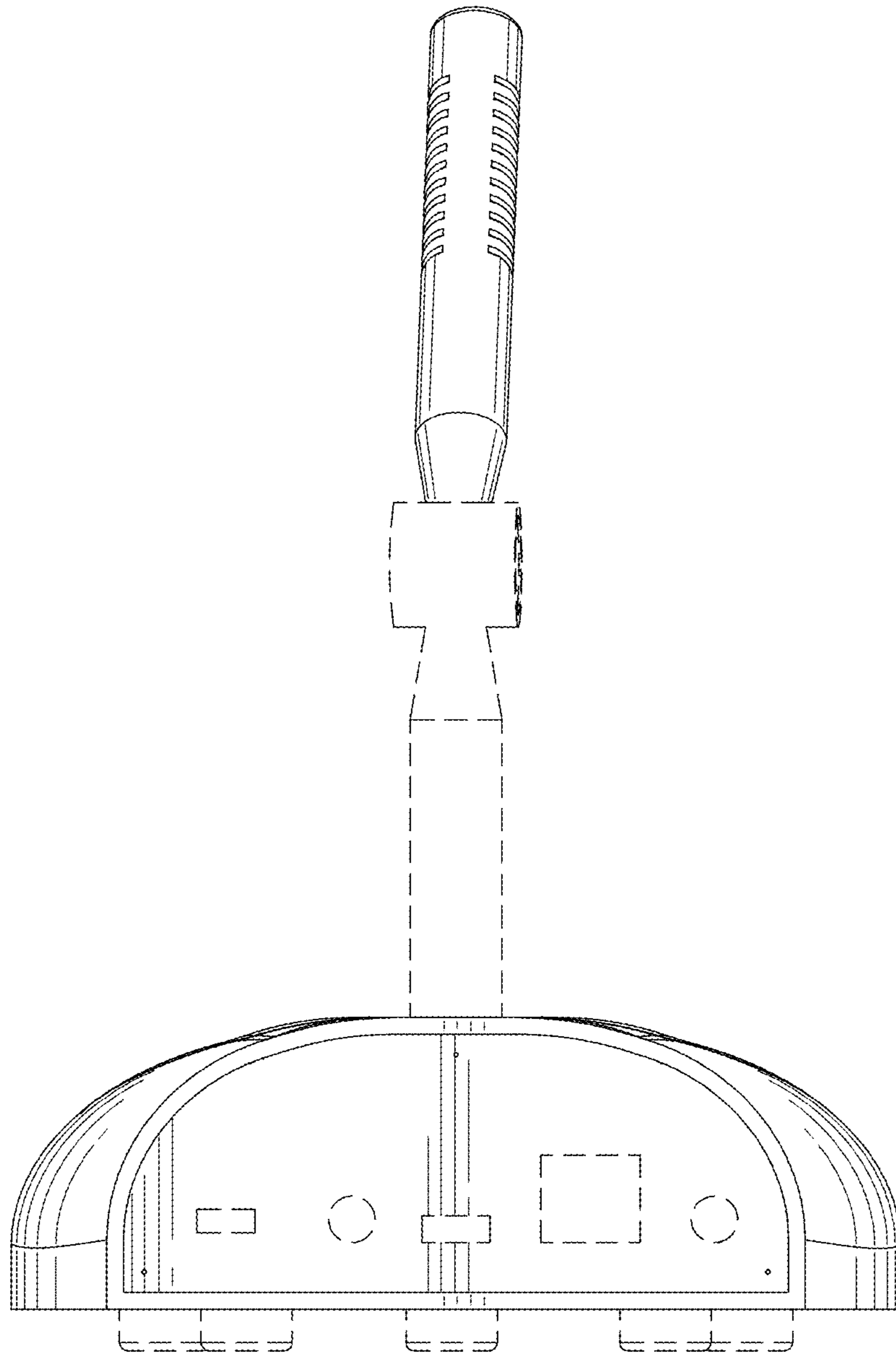


FIG. 4

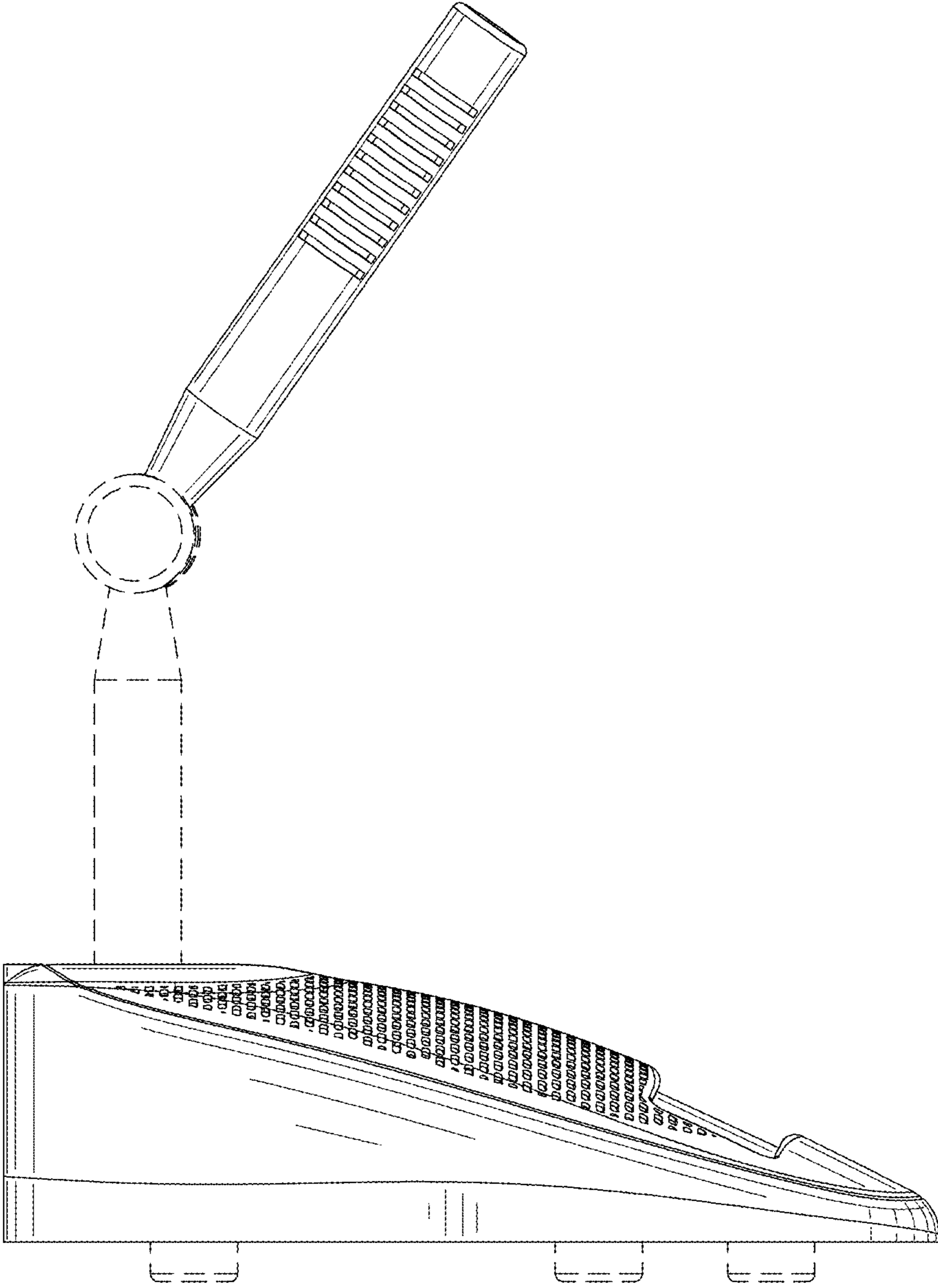


FIG. 5

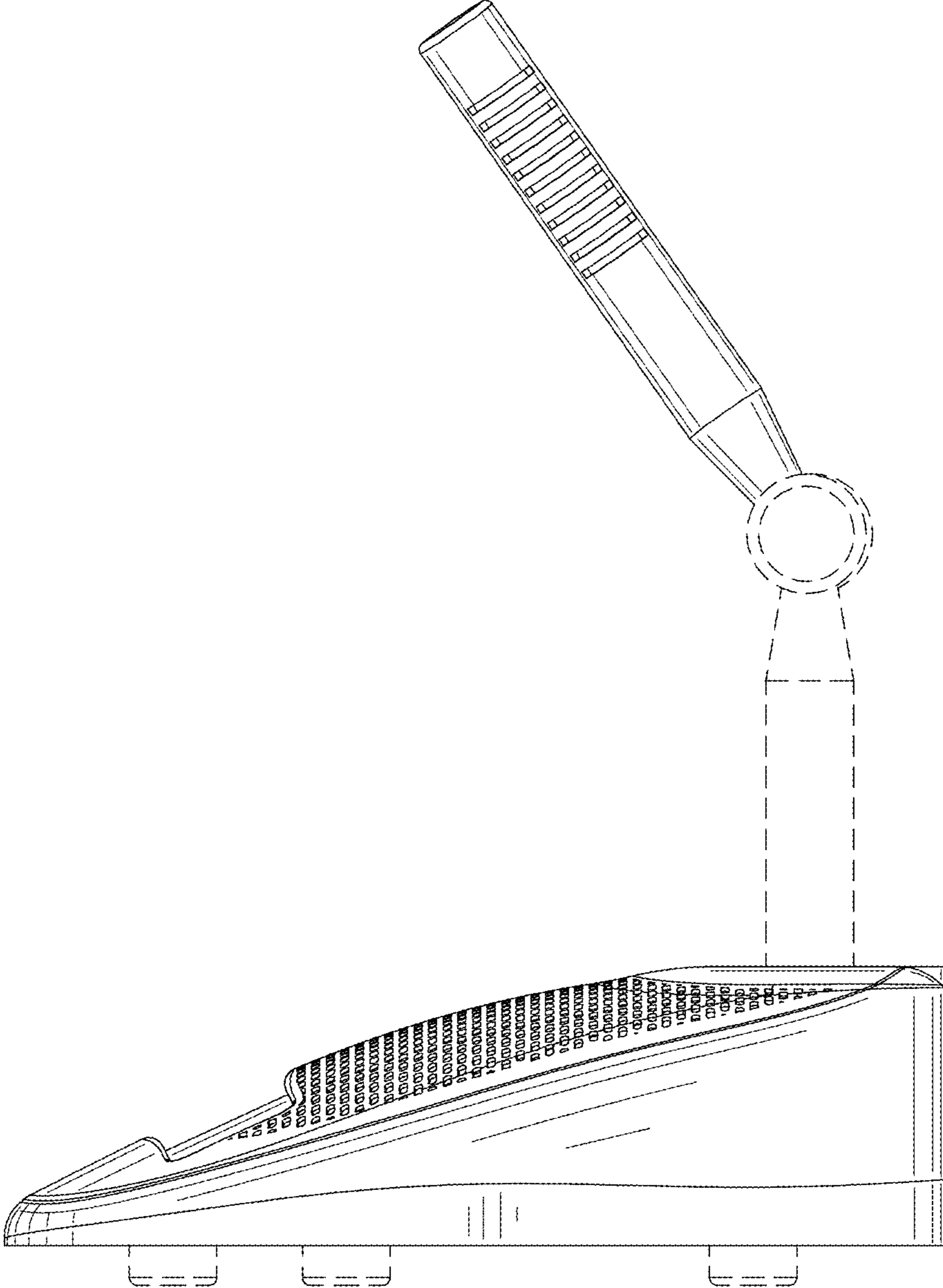


FIG. 6

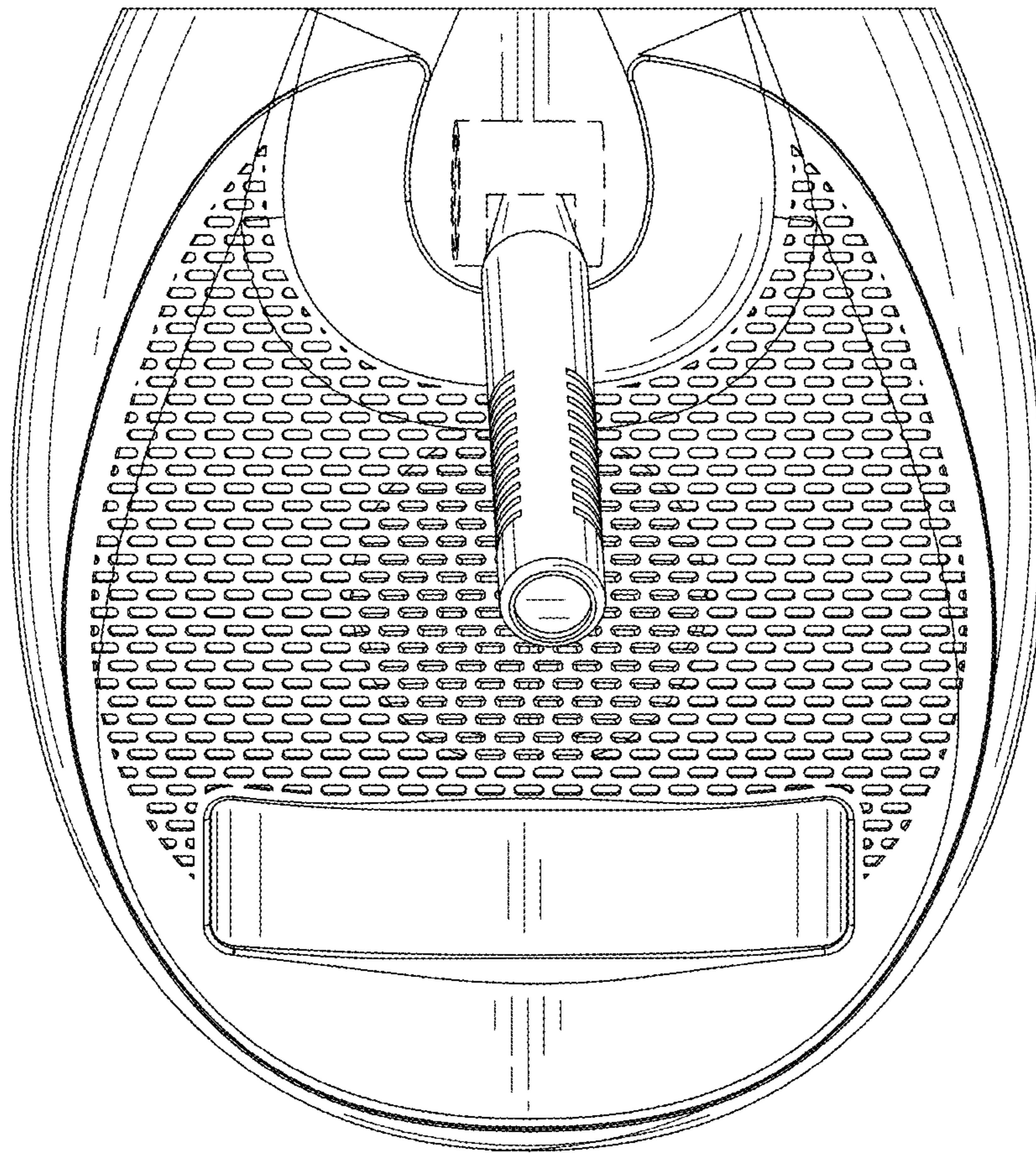


FIG. 7

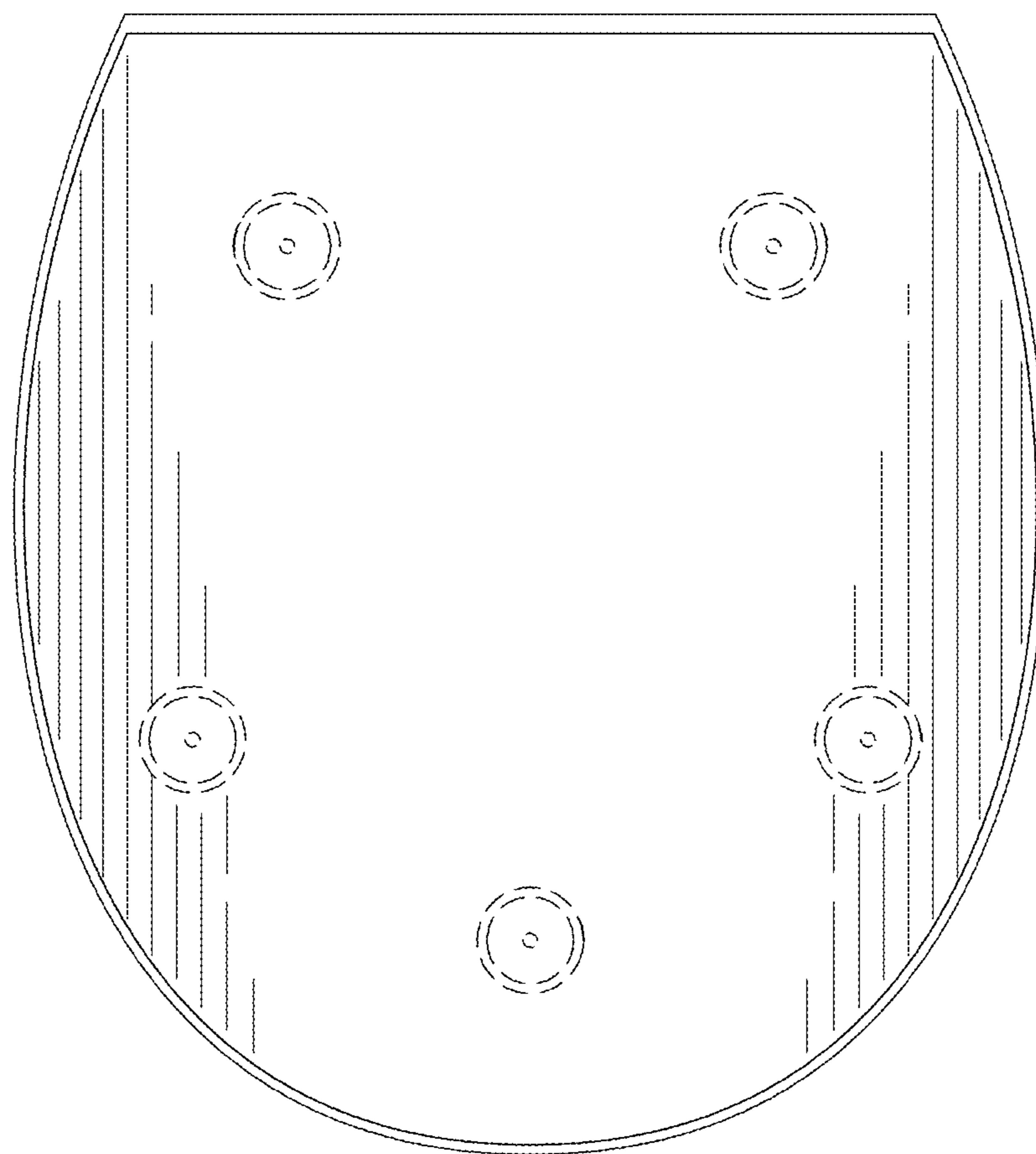


FIG. 8