



US00D843978S

(12) **United States Design Patent**
Puckett et al.

(10) **Patent No.:** **US D843,978 S**
(45) **Date of Patent:** **** Mar. 26, 2019**

- (54) **BROADCASTING DEVICE**
- (71) Applicant: **InMusic Brands, Inc.**, Cumberland, RI (US)
- (72) Inventors: **Scott Puckett**, Pawtucket, RI (US); **Paul Jenkins**, North Providence, RI (US); **Carl Barton**, Mapleville, RI (US); **Gregory Holmes**, Lincoln, RI (US); **Daniel Montecalvo**, Warren, OH (US); **John O'Donnell**, Fort Lauderdale, FL (US); **Mark Frederick**, Bristol, RI (US)
- (73) Assignee: **inMusic Brands, Inc.**, Cumberland, RI (US)

D105,588 S *	8/1937	Korengold	D26/60
2,110,763 A *	3/1938	Gerlach	H04R 1/08 174/19
2,122,778 A *	7/1938	Mueller	H04R 1/08 244/135 A
2,263,668 A *	11/1941	Woodworth	H04R 1/08 362/239
D150,458 S *	8/1948	Pike	D14/227
2,459,722 A *	1/1949	Price	F21V 21/26 248/123.2
2,558,278 A *	6/1951	Stone	H04R 1/026 181/194
D178,541 S *	8/1956	Schell, Jr.	D14/227
D210,667 S *	4/1968	Villa	D14/144
3,562,446 A *	2/1971	Wolf	F16M 13/00 381/174

(Continued)

(**) Term: **15 Years**

Primary Examiner — Paula Allen Greene

(21) Appl. No.: **29/609,507**

(74) *Attorney, Agent, or Firm* — Barlow, Josephs & Holmes, Ltd.

(22) Filed: **Jun. 30, 2017**

(51) **LOC (11) Cl.** **14-01**

(52) **U.S. Cl.** **D14/227**

(58) **Field of Classification Search**

USPC D14/225, 226–229, 240, 137, 138, 188,
D14/192–198, 257, 265, 159, 259, 205;
379/430, 431, 432; 381/380, 381, 176,
381/355, 357, 122, 161, 168, 169;
455/569.1, 550, 187, 183, 359, 369, 90,
455/3, 575.1; 181/152, 242

CPC H04R 19/04; H04R 25/00; H04R 1/10;
H04R 1/104; H04R 3/00; H04R 1/20;
H04B 1/034; H05K 5/00

See application file for complete search history.

(56) **References Cited**

U.S. PATENT DOCUMENTS

1,887,637 A *	11/1932	Hansen	G03B 31/00 248/123.2
1,942,925 A *	1/1934	Jenkins	H04R 1/08 248/123.2

(57) **CLAIM**

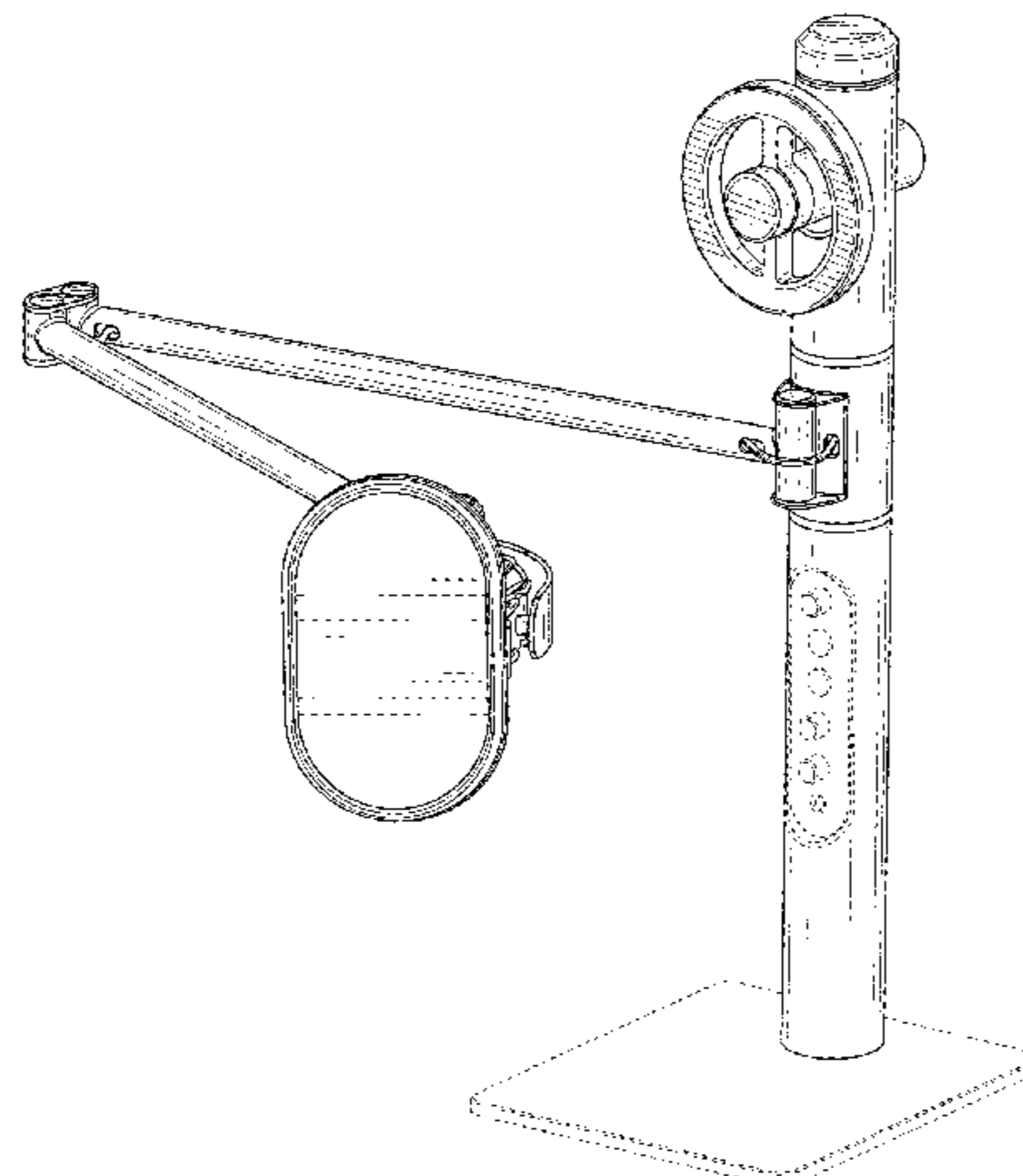
The ornamental design for a broadcasting device, as shown and described.

DESCRIPTION

FIG. 1 is a front perspective view of a broadcasting device showing our new design;
FIG. 2 is a front elevational view thereof;
FIG. 3 is a rear elevational view thereof;
FIG. 4 is a left elevational view thereof;
FIG. 5 is a right elevational view thereof;
FIG. 6 is a top view thereof; and,
FIG. 7 is a bottom view thereof.

The broken lines showing are for the purposes of illustrating the environment of the article only and form no part of the claimed design.

1 Claim, 7 Drawing Sheets



(56)

References Cited

U.S. PATENT DOCUMENTS

4,047,017	A *	9/1977	Herring	B43K 29/10 362/118
D275,097	S *	8/1984	Festa	D14/227
4,757,546	A *	7/1988	Akino	H04R 1/342 381/357
5,016,153	A *	5/1991	Gismondi	F16M 11/10 362/287
D327,480	S *	6/1992	Soren	D14/229
D357,481	S *	4/1995	Giuntoli	D14/227
D365,564	S *	12/1995	Luther	D14/227
D366,045	S *	1/1996	Hirschhorn	D14/209
D375,749	S *	11/1996	Chiang	D14/227
5,732,920	A *	3/1998	Reynoso	F21V 21/26 248/278.1
D449,039	S *	10/2001	Weikel	D14/227
D523,164	S *	6/2006	Ng	D26/65
7,103,392	B2 *	9/2006	Fletcher	H04M 1/725 379/159
D734,298	S *	7/2015	Tatkon-Coker	D14/206
D745,494	S *	12/2015	Wise	D14/227
D746,796	S *	1/2016	Wise	D14/227
D781,268	S *	3/2017	Magi	D14/223

* cited by examiner

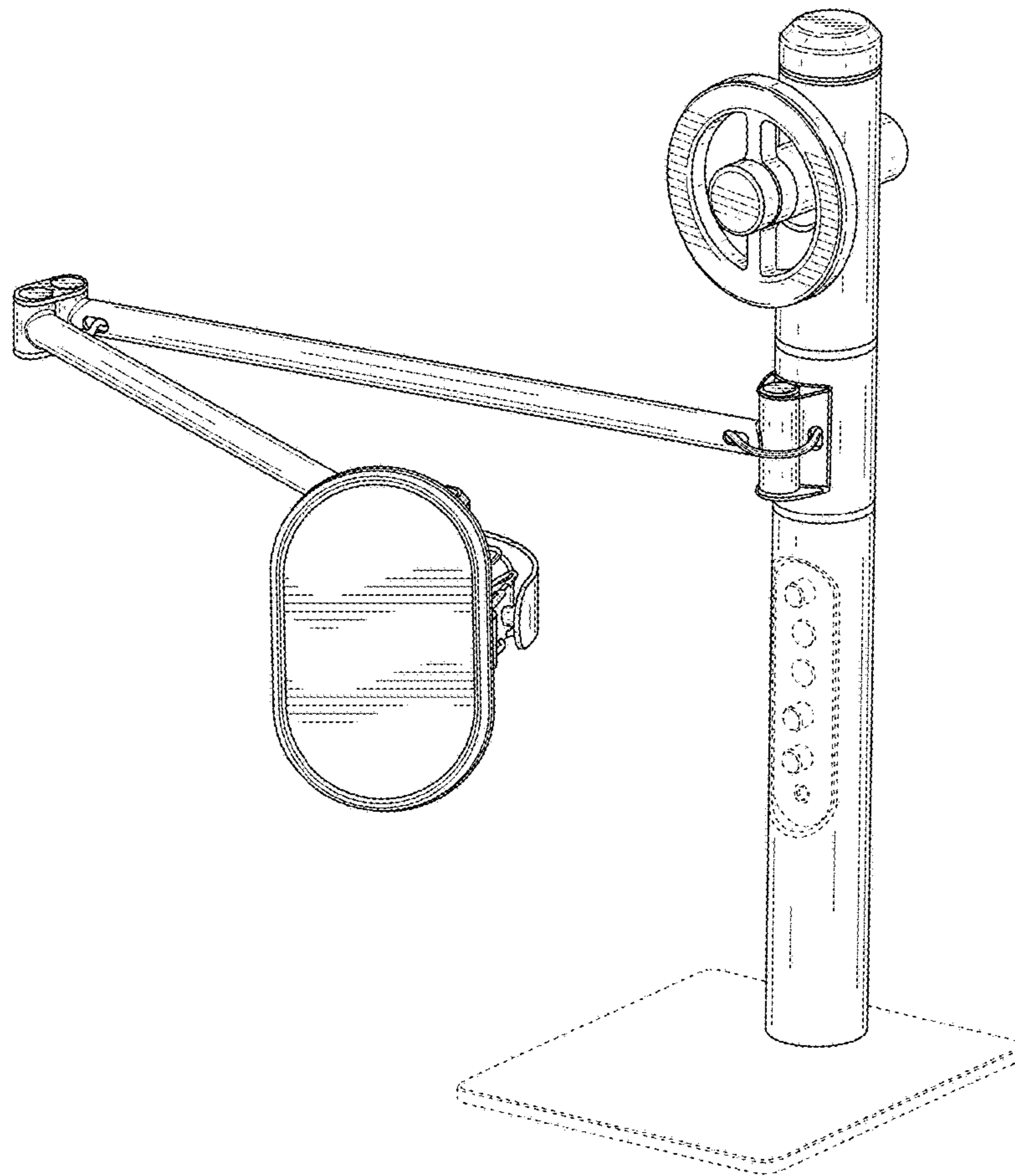


FIG. 1

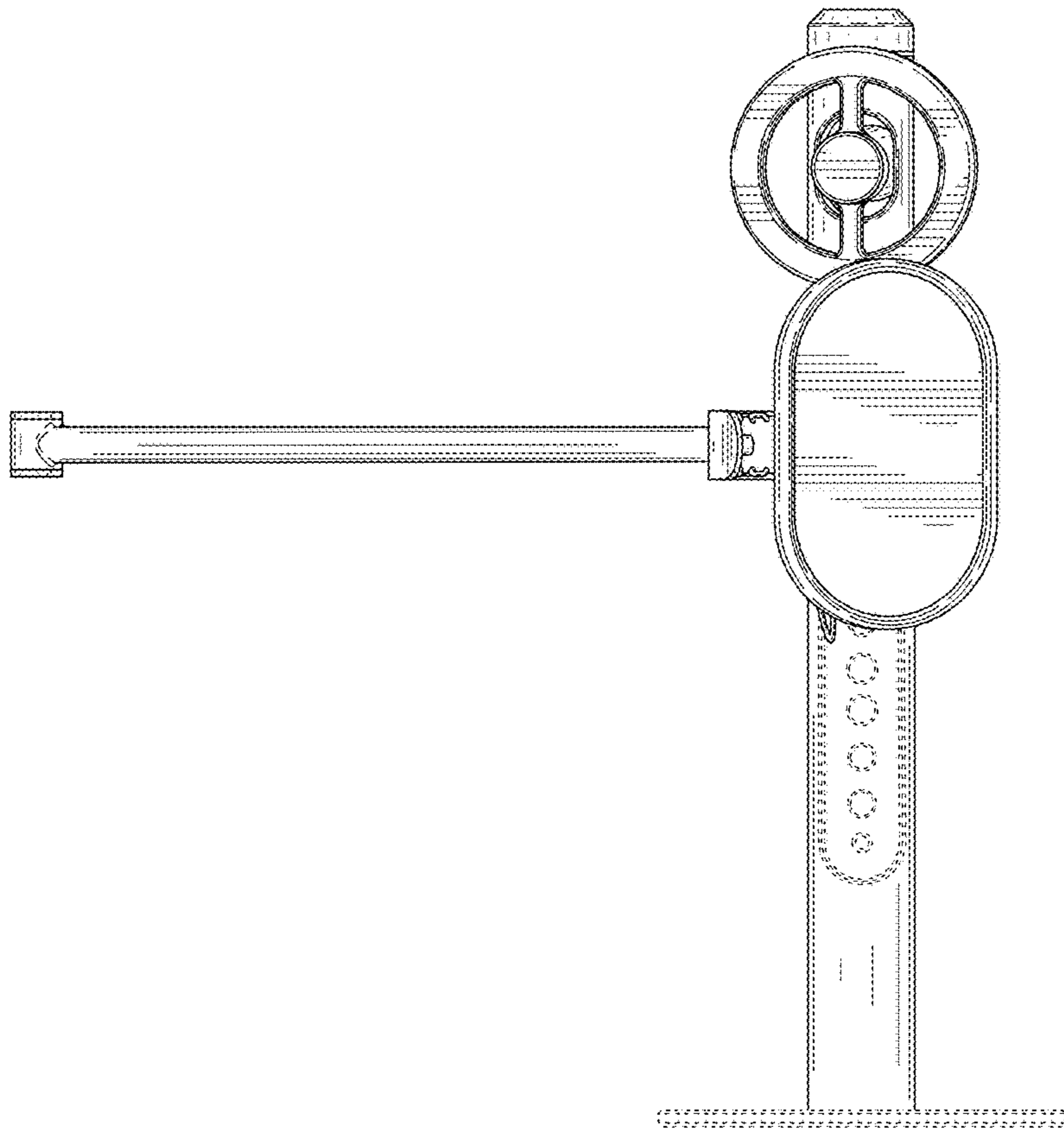


FIG. 2

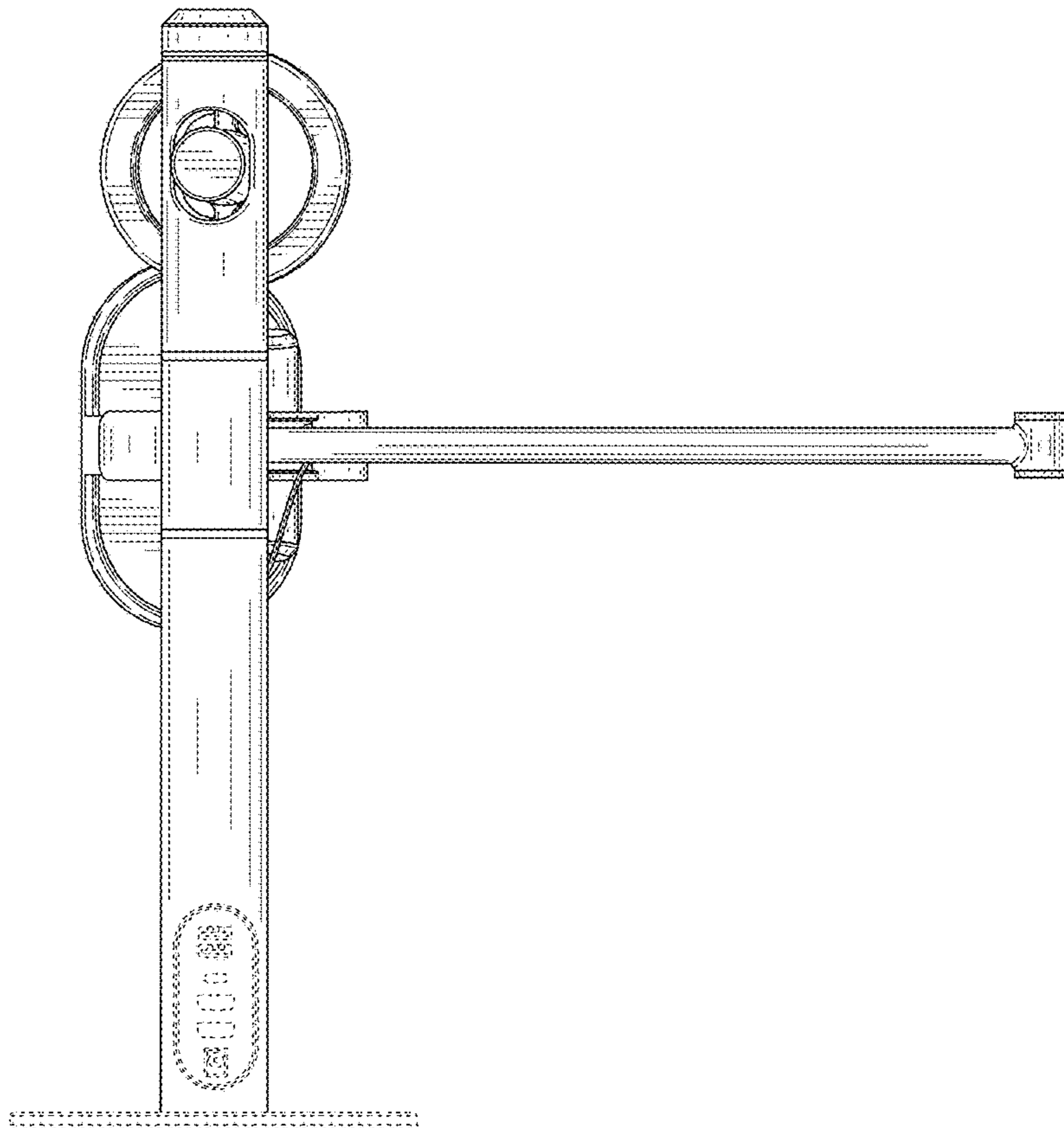


FIG. 3

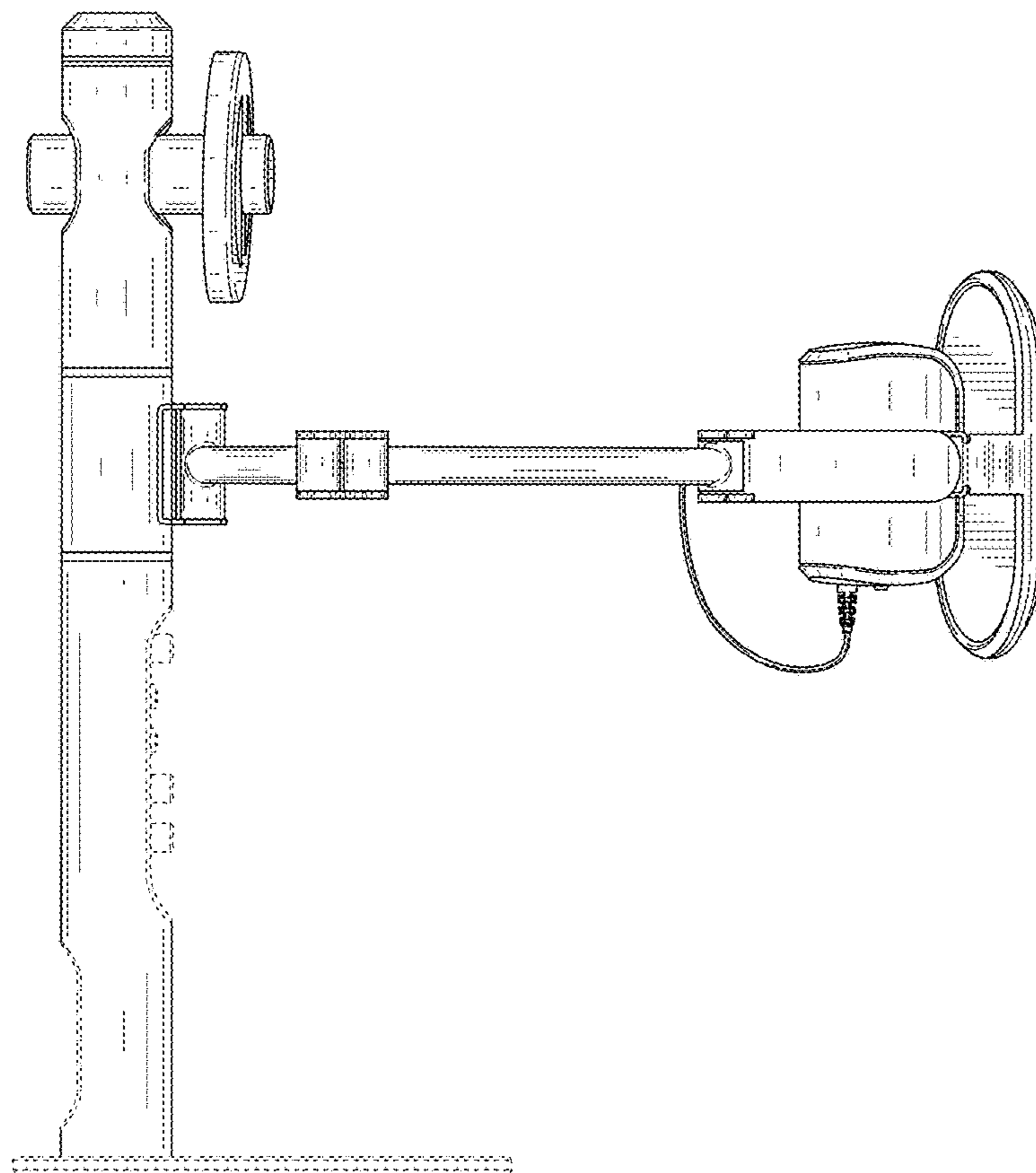


FIG. 4

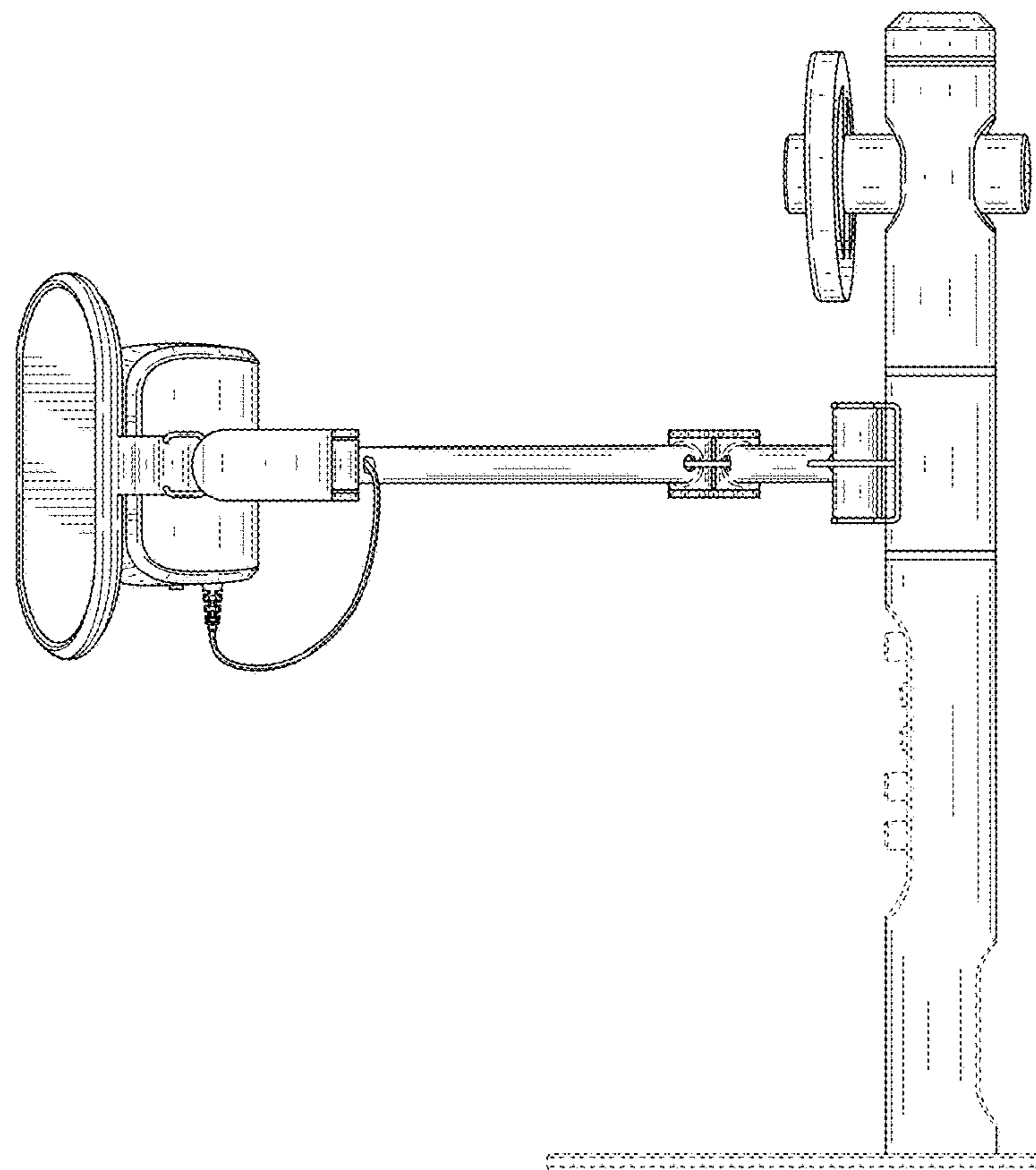


FIG. 5

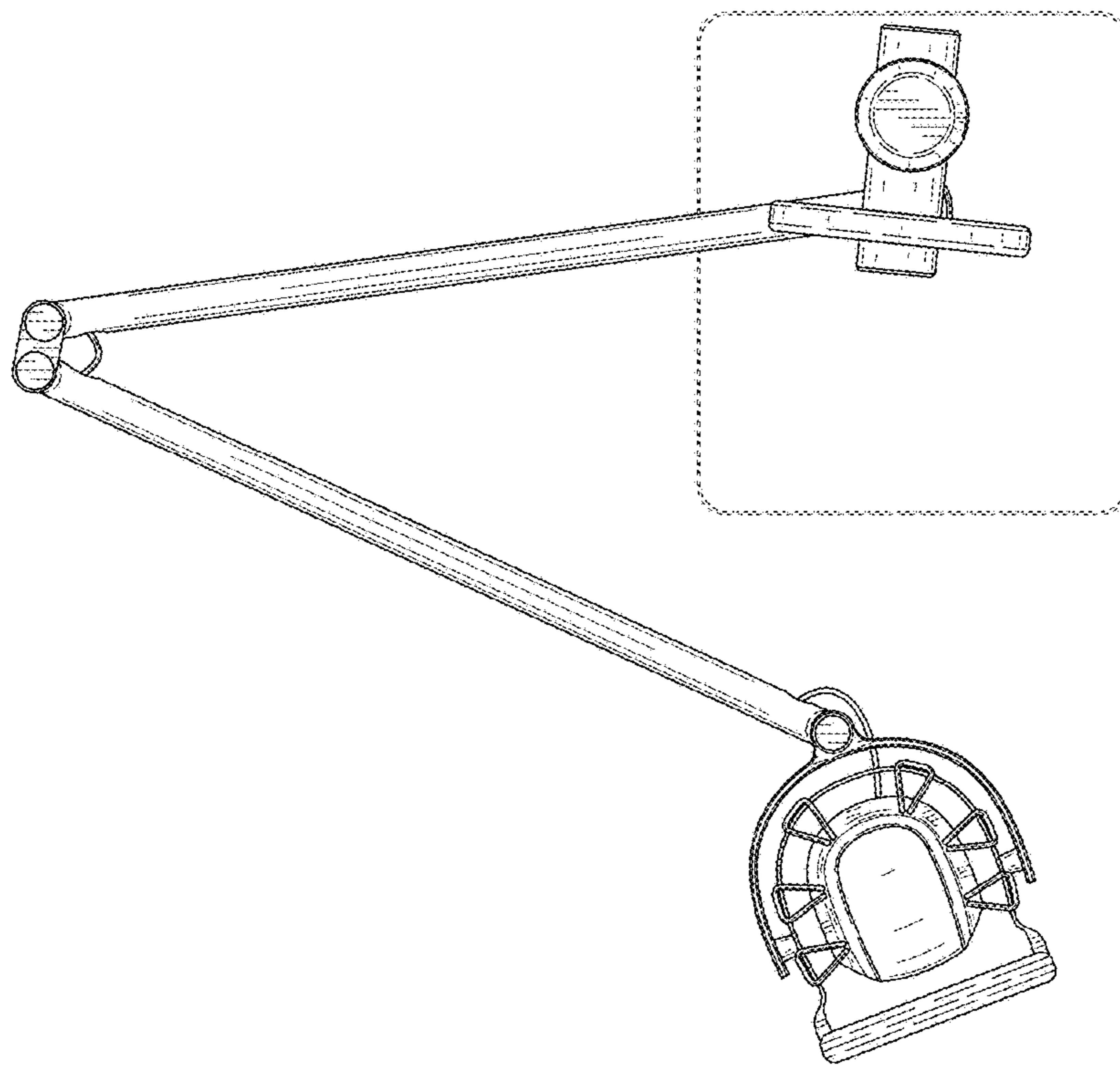


FIG. 6

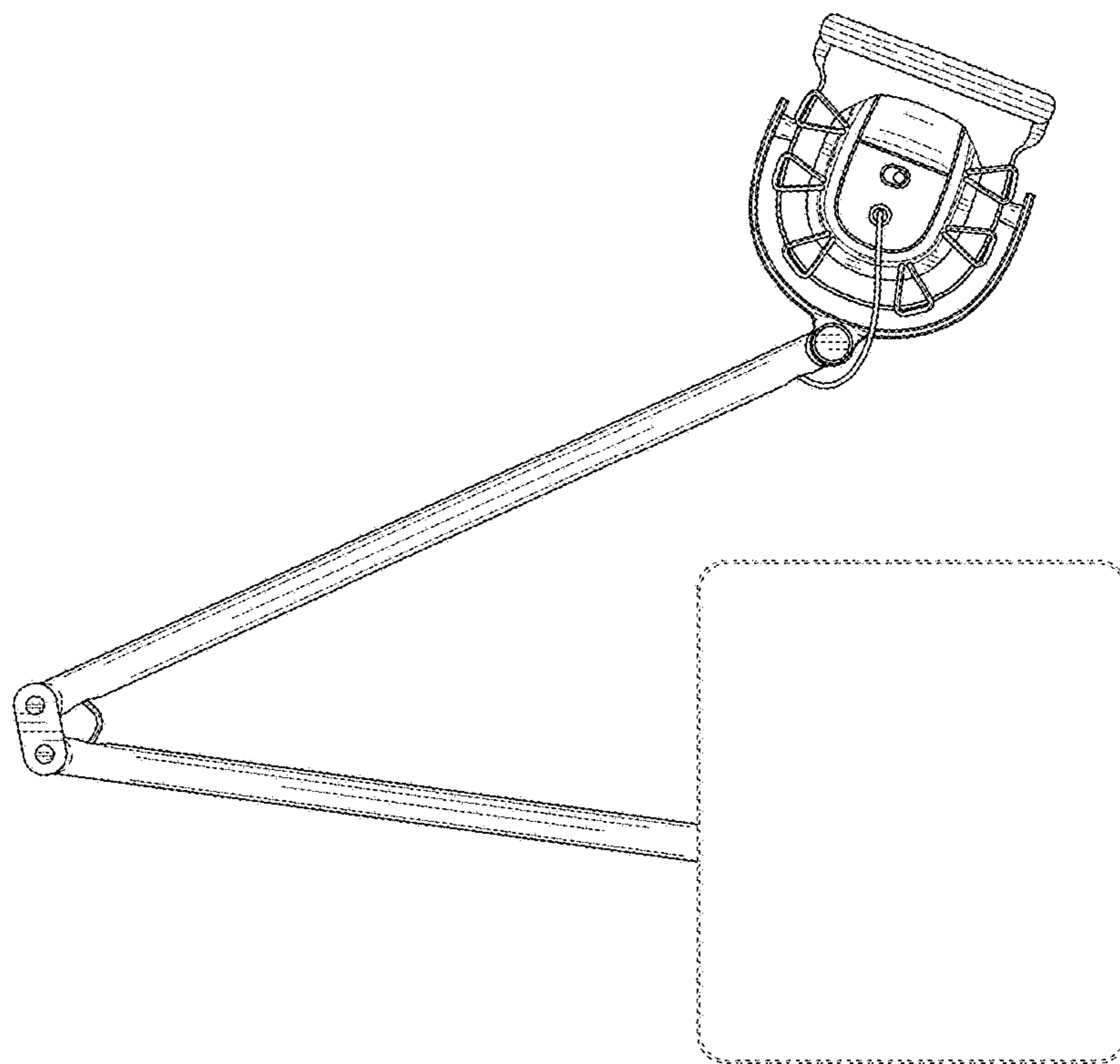


FIG. 7