



US00D843970S

(12) **United States Design Patent**
Ferren et al.

(10) **Patent No.:** **US D843,970 S**
(45) **Date of Patent:** **** Mar. 26, 2019**

- (54) **HEADPHONES**
- (71) Applicant: **Pioneer Square Brands, Inc.**, Seattle, WA (US)
- (72) Inventors: **Michael Cooper Ferren**, Camas, WA (US); **Michael Heecheol Kim**, Seattle, WA (US); **Jaimie Emerald Chan**, Renton, WA (US)
- (73) Assignee: **PIONEER SQUARE BRANDS, INC.**, McLean, VA (US)

2,534,137	A *	12/1950	Lewis	F16F 1/376
					12/38
3,447,160	A *	6/1969	Teder	A61F 11/14
					2/209
D244,037	S *	4/1977	Warner	D14/205
D244,213	S *	5/1977	Besasio	D14/223
D254,910	S	5/1980	Lung		
D255,569	S	6/1980	Lung		
D266,417	S *	10/1982	Perez	D14/165
D286,632	S *	11/1986	Teunis	D14/205
4,677,013	A *	6/1987	Anderson	B29D 99/0089
					160/84.05
4,771,454	A *	9/1988	Wilcox, Jr.	H04M 1/05
					379/430

(**) Term: **15 Years**

(Continued)

- (21) Appl. No.: **29/666,222**
- (22) Filed: **Oct. 10, 2018**
- (51) **LOC (11) Cl.** **14-01**
- (52) **U.S. Cl.**
USPC **D14/205**
- (58) **Field of Classification Search**
USPC D14/205, 206, 188, 192, 250, 253;
D29/112; 2/209; 181/129, 130, 135;
381/380, 381, 374, 74; 455/90.3, 557,
455/569.1; D12/126, 507, 508, 540, 544,
D12/4, 185, 203; D5/53, 54, 59, 61, 63,
D5/29, 7; 428/116, 36; D20/111;
52/177; D25/111, 119, 138, 151, 158,
D25/163, 145, 139, 140
CPC H04R 1/1066; H04R 1/1016; H04R 25/00;
H04R 1/10; H04R 5/033; H04R 5/0335
See application file for complete search history.

OTHER PUBLICATIONS

U.S. Appl. No. 29/663,907, filed Sep. 19, 2018 Michael Cooper Ferren et al (unpublished U.S. Design application not admitted as related but as informative).

Primary Examiner — Paula Allen Greene
(74) *Attorney, Agent, or Firm* — Grandview Law

(56) **References Cited**

U.S. PATENT DOCUMENTS

344,386	A *	6/1886	Lavering et al.	D12/544
D86,952	S *	5/1932	Garrison	D25/60
1,982,243	A *	11/1934	Black	E04D 3/30
					428/603
2,508,642	A *	5/1950	Herrick	H04M 1/03
					379/433.01

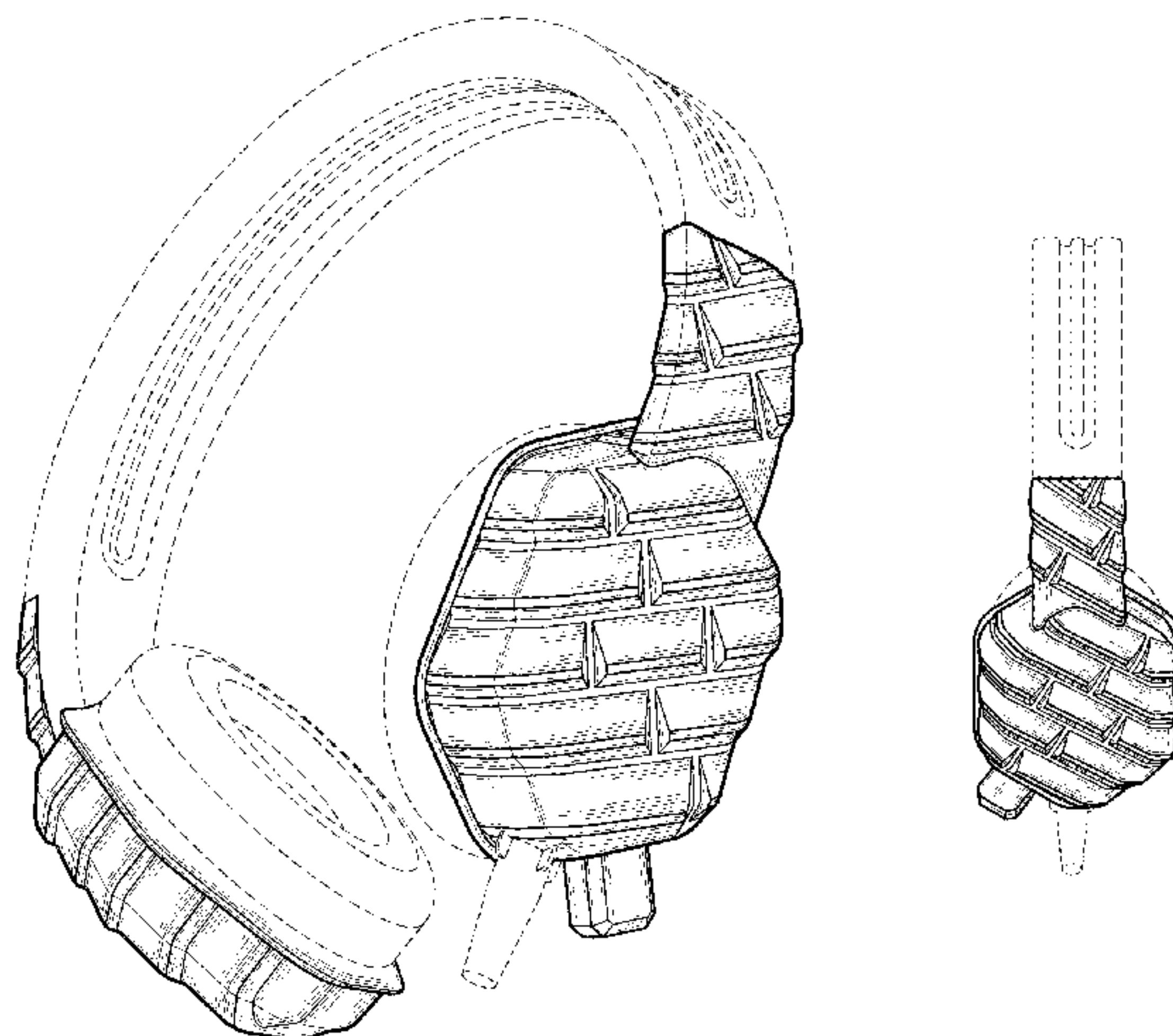
(57) **CLAIM**

The ornamental design for headphones, as shown and described.

DESCRIPTION

FIG. 1 is a rear perspective view of headphones showing our new design;
FIG. 2 is a front elevational view thereof.
FIG. 3 is a rear elevational view thereof.
FIG. 4 is a bottom elevational view thereof.
FIG. 5 is a top elevational view thereof.
FIG. 6 is a right elevational view thereof; and,
FIG. 7 is a left elevational view thereof.
The features shown in broken lines in the drawing figures depict features that form no part of the claimed design.

1 Claim, 3 Drawing Sheets



(56)

References Cited

U.S. PATENT DOCUMENTS

4,821,318 A * 4/1989 Wu H04M 1/05
 379/430
 D302,429 S * 7/1989 Leer D14/137
 D306,167 S * 2/1990 Johnson, Jr. D14/163
 D317,767 S * 6/1991 Banks D14/205
 D324,386 S * 3/1992 Oblinger D14/205
 D326,855 S * 6/1992 Bose D14/205
 D369,604 S * 5/1996 Morimiya D14/205
 D459,337 S 6/2002 Mori
 D502,695 S 3/2005 Suzuki
 D548,221 S 8/2007 Huang
 7,637,301 B2 * 12/2009 Forst Randle E06B 9/40
 160/121.1
 D625,703 S 10/2010 Kolton
 D632,492 S * 2/2011 Colson E06B 9/262
 D5/7
 D638,397 S 5/2011 McManigal
 D641,725 S 7/2011 Chong et al.
 D645,445 S 9/2011 Kolton
 D649,956 S 12/2011 Gresko et al.
 D651,586 S 1/2012 Lee et al.
 D656,480 S 3/2012 McManigal et al.
 D658,629 S 5/2012 Nomura
 D659,672 S 5/2012 Lee et al.
 D661,281 S 6/2012 Mahaffy et al.
 D666,992 S 9/2012 Lee et al.
 D672,744 S 12/2012 Scarpa

D674,122 S * 1/2013 Sims D25/119
 D685,762 S 7/2013 Nokuo
 D687,409 S 8/2013 Lee et al.
 D687,977 S * 8/2013 Griffiths D25/119
 D690,284 S 9/2013 Brennwald
 D690,680 S 10/2013 McManigal
 D690,682 S 10/2013 Iacovelli et al.
 D691,107 S 10/2013 Takeno
 D696,257 S * 12/2013 Ward D14/440
 D697,048 S 1/2014 Pavitsich
 D697,896 S 1/2014 Lee et al.
 D712,872 S 9/2014 Yuen
 D714,756 S 10/2014 Xiang et al.
 D717,276 S 11/2014 Zhou
 D717,766 S 11/2014 Mchatet
 D718,759 S * 12/2014 Barfoot D14/250
 D721,053 S 1/2015 Fujioka
 D722,997 S 2/2015 Lee et al.
 D727,288 S 4/2015 Yamasaki et al.
 D737,798 S 9/2015 Yoshimura
 D741,286 S 10/2015 Brennwald et al.
 D752,018 S 3/2016 Gondo
 D757,681 S 5/2016 Kuskin et al.
 D763,820 S 8/2016 Mchatet
 D780,154 S 2/2017 Jaynes
 D790,504 S 6/2017 Tam
 D800,092 S 10/2017 Paterson et al.
 D804,456 S 12/2017 Katopis
 D819,342 S * 6/2018 Barreau D5/63
 D829,686 S 10/2018 Davi et al.

* cited by examiner

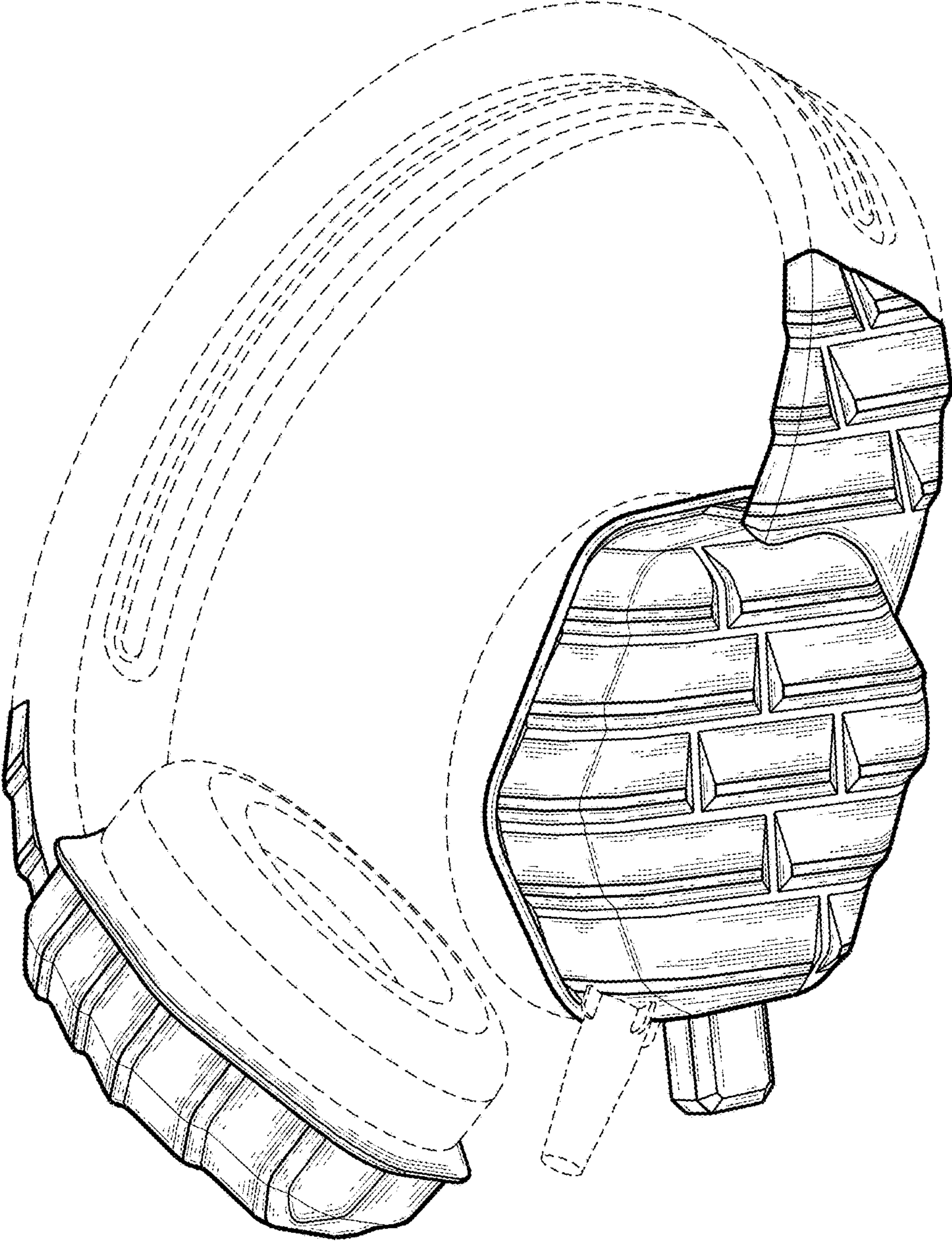


Fig. 1

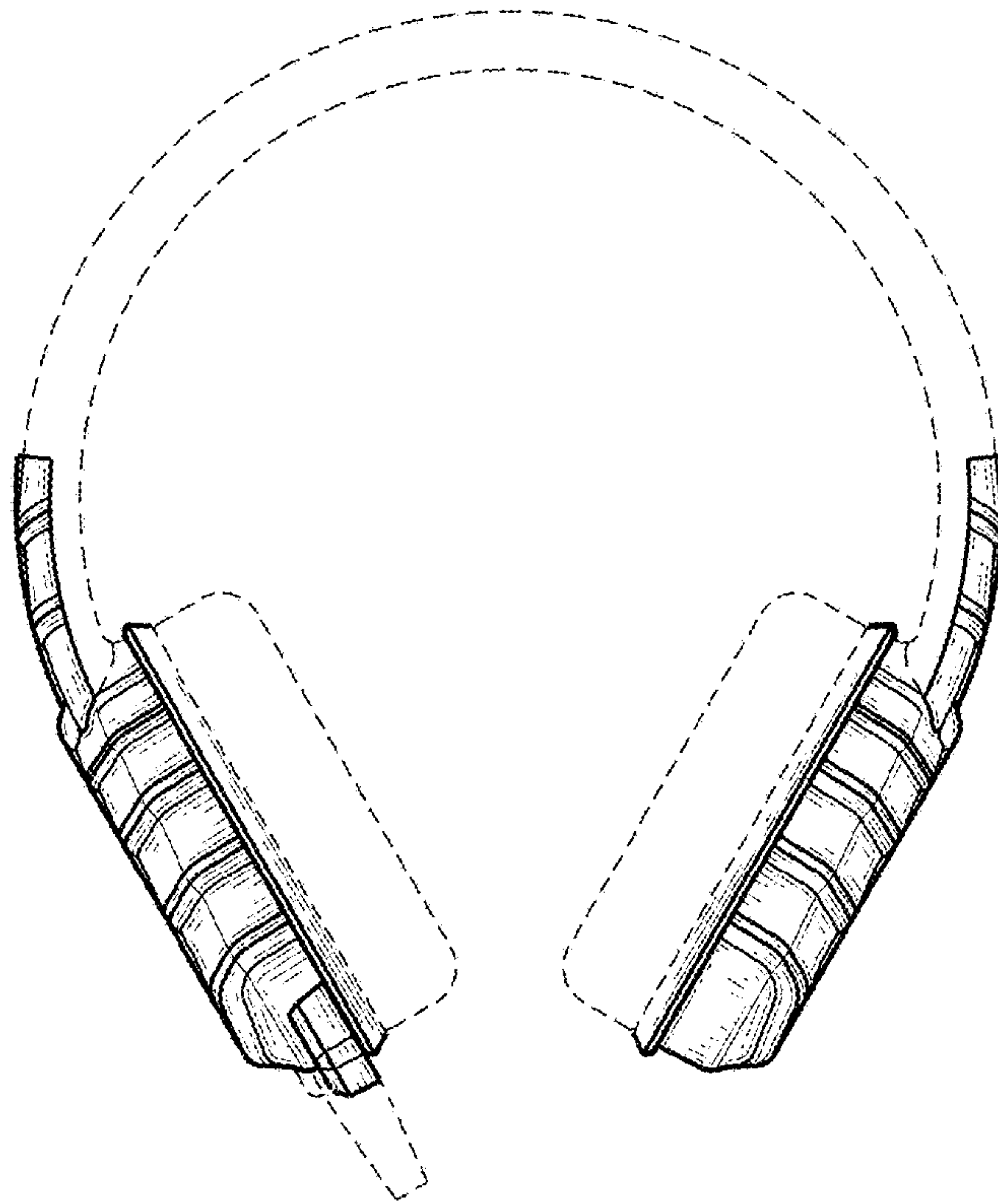


Fig. 2

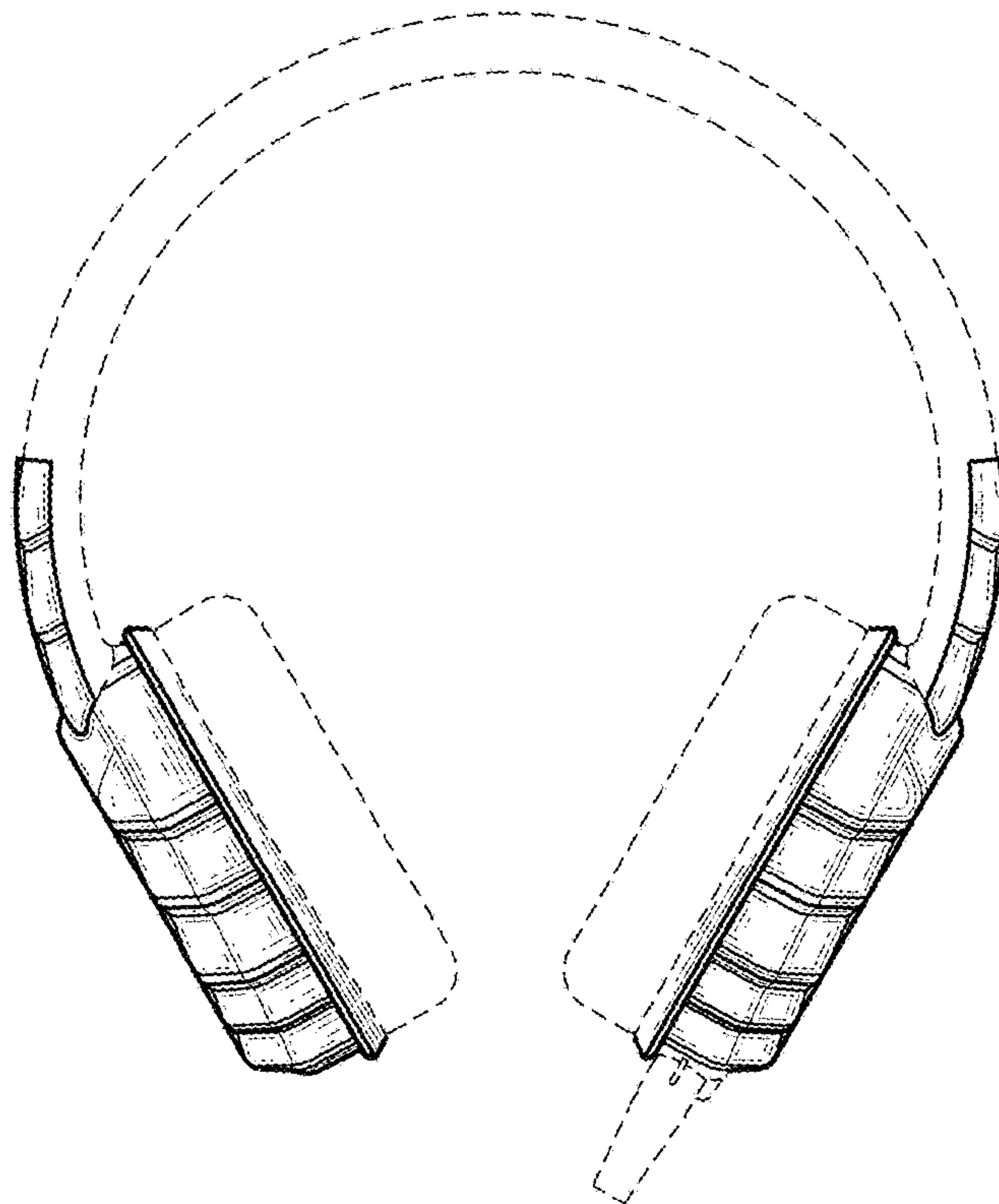


Fig. 3

Fig. 4

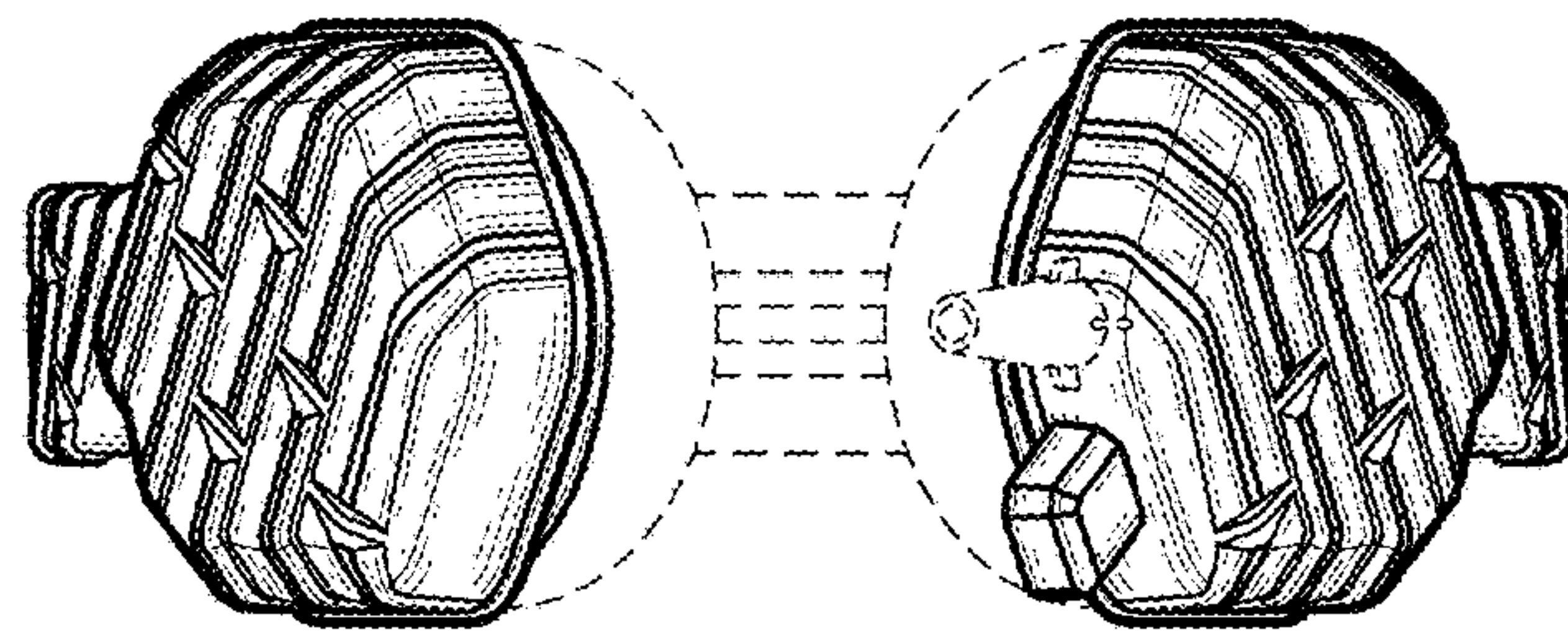


Fig. 5

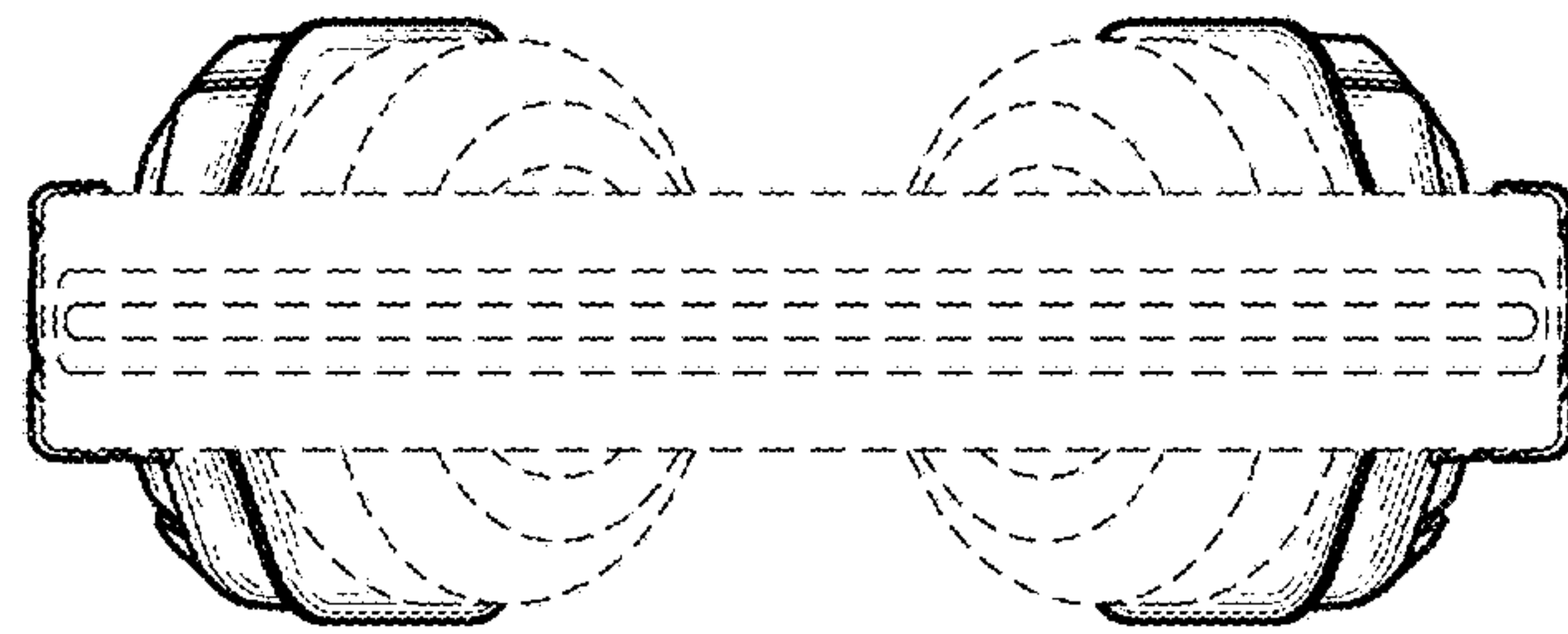


Fig. 6

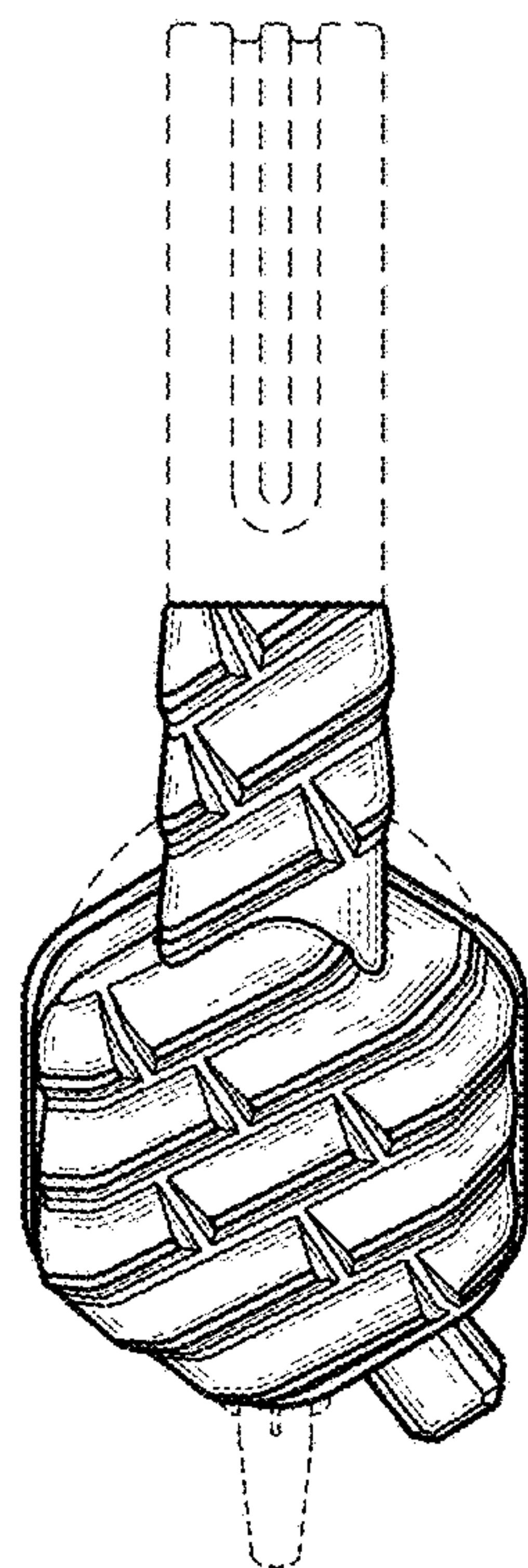


Fig. 7

